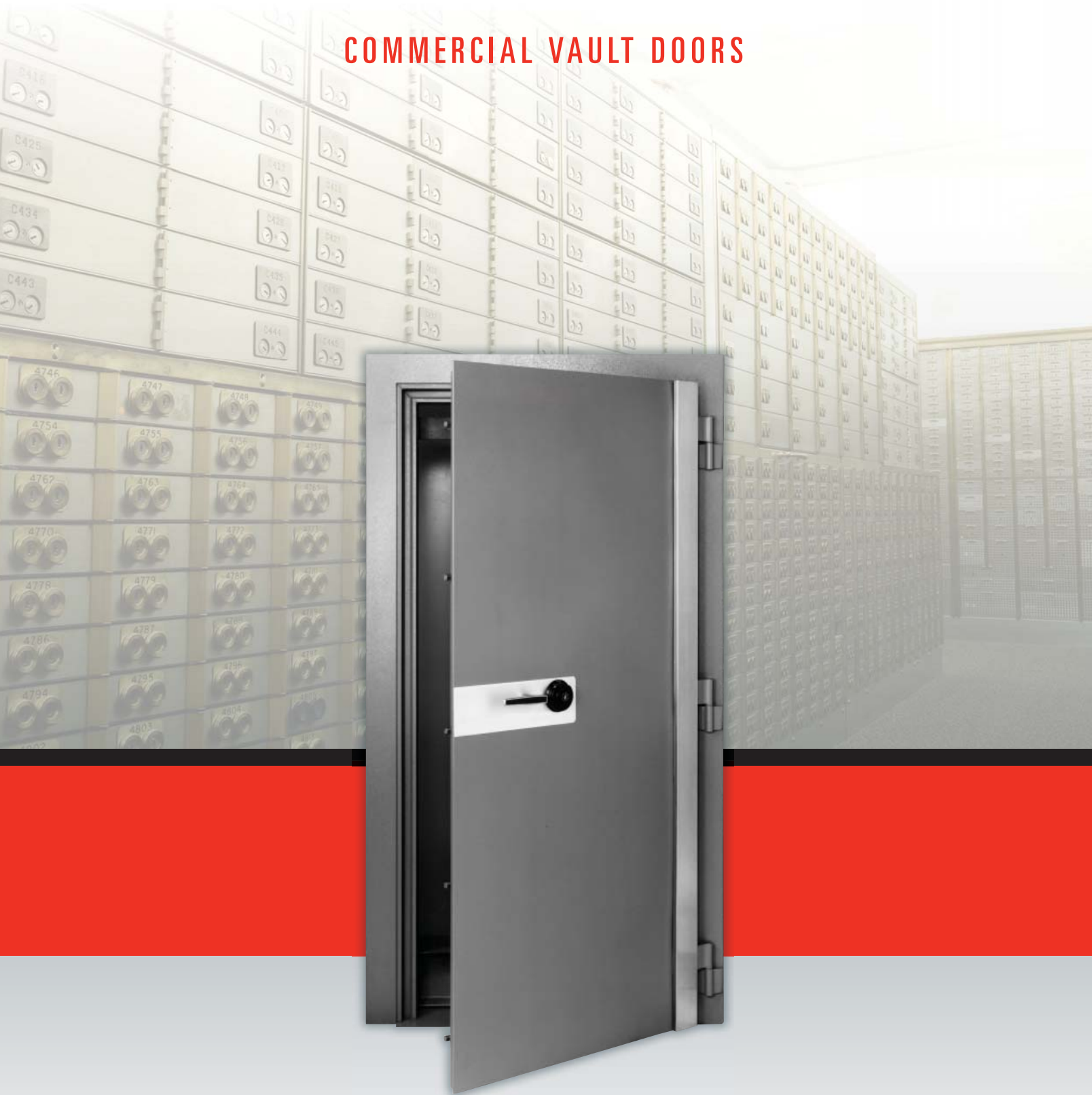




COMMERCIAL VAULT DOORS



FILE IT UNDER ELITE PROTECTION

COMMERCIAL VAULT DOORS

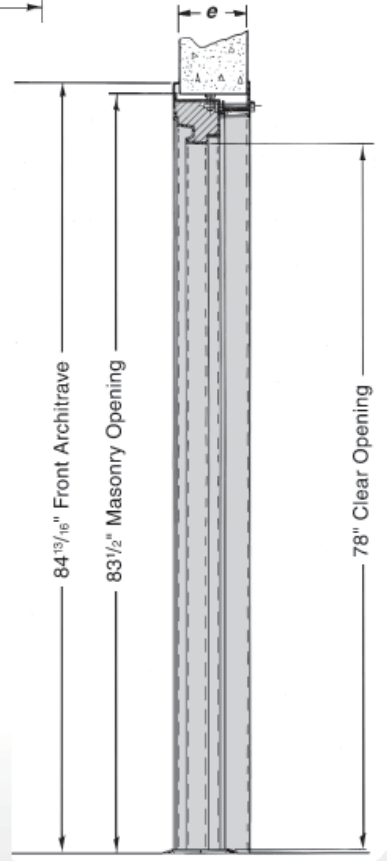
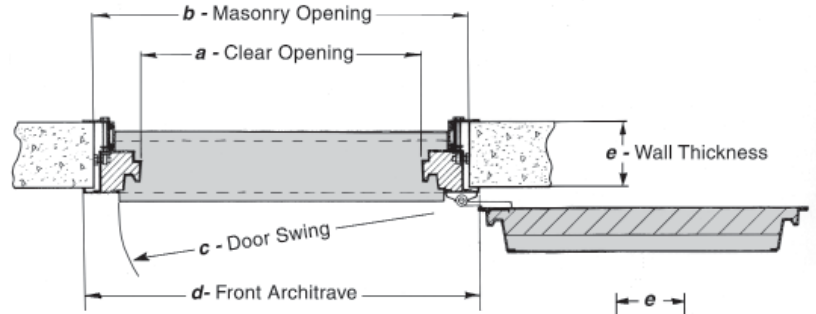
PROTECT YOUR WORLD WITH SENTRYSAFE

Why you need SentrySafe Commercial Vault Doors

High end security: SentrySafe vault doors are fully equipped with a standard independent, third-party rated Group 2 key-change combination lock and UL-certified re-locking device to set the bolts if the lock is punched in a tool or burglary attack.

Multiple fire protection: To keep your precious valuables safe from catastrophic fire, SentrySafe offers vault doors with independent, third party UL Classified fire ratings of 1-, 2-, 4-, and 6-hours. Now that's worry-free protection.

Customize your vault door purchase your way: SentrySafe provides a wide range of advanced locking systems, anti-theft features, colors and high-security accessories.



Vault Door Model No.	a	b	c	d	e	Approx. Shpg. Wt.
D7832-1	32"	42 1/2"	39"	45 1/8"	7"-18"	945 lbs.
D7840-1	40"	50 1/2"	47"	53 1/8"	7"-18"	1,073 lbs.
V7832-2	32"	42 1/2"	39"	45 1/8"	7"-18"	972 lbs.
V7840-2	40"	50 1/2"	47"	53 1/8"	7"-18"	1,100 lbs.
V7832-4	32"	42 1/2"	39"	45 1/8"	7"-18"	990 lbs.
V7840-4	40"	50 1/2"	47"	53 1/8"	7"-18"	1,118 lbs.
V7832-6	32"	42 1/2"	39"	45 1/8"	7"-18"	1,019 lbs.
V7840-6	40"	50 1/2"	47"	53 1/8"	7"-18"	1,147 lbs.

9 out of 10 category users rate SentrySafe tops in

- Integrity
- Ease of doing business
- Customer service responsiveness, knowledge & solutions

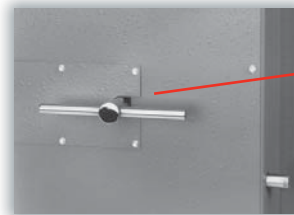


Insulated File Room and Vault Doors: For the maximum protection from fire and theft

Protection Features & Benefits:

Protection:

- Two UL standard 140 compliant re-locking devices automatically reset the lock bolt if the lock sustains tool or torch attack
- Unique design of the door frame allows easy, non-grout installation
- A beveled vault threshold allows for easy passage of wheeled carts as well as a seamless transition of the door and its environment



Escape Mechanism

Each door has an inside escape mechanism which can be easily located and operated, even in the dark

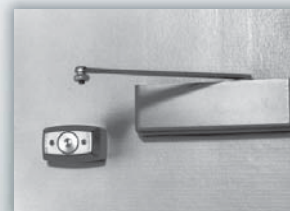


Daygate (optional)

Designed specifically for use with SentrySafe Vault Doors, day gates restrict unauthorized entrance during hours the vault door is open.

Deluxe Plexiglas Gate has a brushed aluminum finish. Gate fastens to the inside of vault frame. Hinge allows gate to swing easily into vault. Equipped with heavy duty key lock.

Direction of day gate swing is determined by viewing day gate from inside the vault. Right swing hinges on right; left swing is the reverse.



Additional features (optional)

Automatic door closer uses an electromagnetic system that releases the door when the sensor detects either smoke or heat. Closer then automatically shuts the door from its regular 180° open position.

WHY THE SENTRYSAFE BRAND?

Legacy of strength

- Family owned and operated for more than 80 years

Products you can count on

- No other company has more experience or offers a wider range of proven protection products:
 - Fire & water-resistant files
 - Vault doors
 - Light commercial & customized commercial safes
 - Executive & depository safes
 - Data & media chests, safes and cabinets

Superior customer care

- US-based Customer Care and Support team is ready with the personal attention and expert answers, whether replacing a lost key, offering post disaster support or just assisting in your next purchase.



Sentry Group 900 Linden Avenue, Rochester, NY 14625
Telephone For Commercial Products (formerly Schwab Corp.): 800-428-7678
Telephone For All Other SentrySafe Products: 800-221-6879