

# Mariak Contract



**Mariak Contract is an Environmentally Responsible Company**

**Sun Control Roller Shades**

**PolyCraft Shutters**

**Draperies & Top Treatments**

**Vertical Blinds**

**Basswood Blinds**

**Cellular Shades**

**Aluminum Blinds**

**Fauxwood Blinds**

**Roman Shades**

800.562.7425

www.mariak.com

Through years of manufacturing experience, Mariak Contract has developed shading solutions for every contract application. Whether your project requires the simplicity of a chain operated clutch control or the sophistication of motorized network integration, Mariak Contract roller shades offer a solution that will protect interior furnishings from UV damage, reduce heating and air conditioning expenses, and manage glare, all while preserving a view of the outside world. Mariak Contract uses the highest quality fabrics and specially engineered parts in combination with the most recent manufacturing technology to produce the finest roller shades and sun screens available today.

### Clutch Mechanism



- Glass Reinforced Resin to Increase Durability
- Precision Engineered Gear for Qualified Stainless Steel Bead Chain
- High Impact PA6 with Glass Fiber Composition
- Advanced Steel Spring Technology

### Spring Assist Option

*Lifts Large Shades with Ease!*



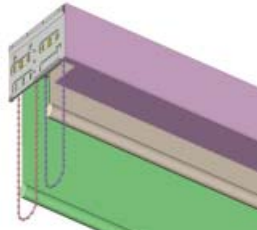
### Fascia Options



3" & 4" Square Fascia



3" & 4" Round Fascia



Dual Shades with  
4" & 7" Square Fascia

### Headbox Options



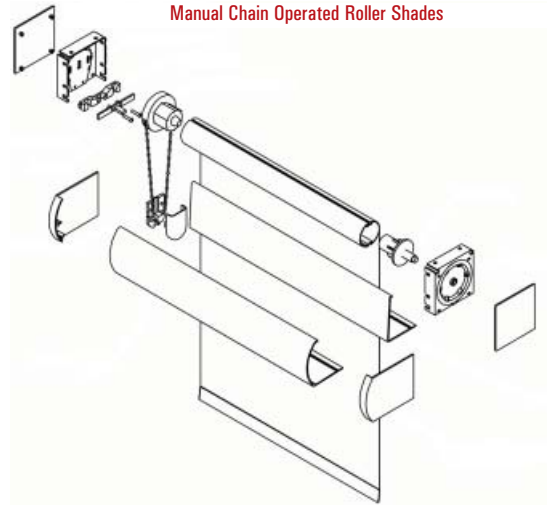
Headbox without Ceiling  
Tile Receiver



Headbox with Ceiling  
Tile Receiver



Dual Shade Headbox



Manual Chain Operated Roller Shades



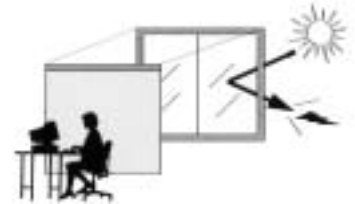
### Features:

- Secure Grip Removable and Replaceable Spline Fabric Attachment System
- Dura-Roll Deflection Resistant Aluminum Roller Tubes
- All Shade Cloth Edges Sealed to Minimize Fraying
- 3-Side Welded Pocket Hembar and External Hembar Options
- Complete Blackout Systems Available for Conference & Media Rooms
- Select from Over 200 Fabric Patterns, Colors, and Opness Factors

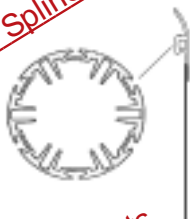
800.562.7425  
www.mariak.com

### Sun Control Roller Shades Conserve Energy:

Numerous studies measuring energy transmission and efficiency have been conducted throughout the United States and Europe, which in both simulated and real-life situations, clearly demonstrate that solar screen fabrics effectively reduce the temperature of a room without the use of air conditioning. The technical characteristics of solar screen fabrics facilitate cost-effective temperature control, optimal use of natural light, and year-round comfort in the workplace. All of this is achieved while enhancing aesthetics and reducing energy usage. Further energy conservation may be realized by using electronic control systems that regulate the position of the shades according to the time of day and weather conditions.



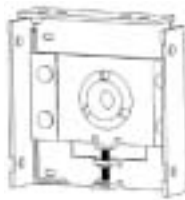
*Secure Grip Spline*



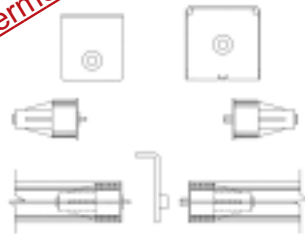
*Blackout Channels*



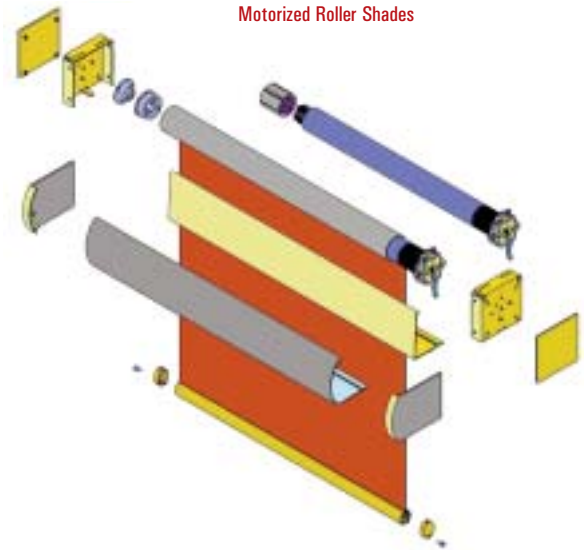
*Adjustable Idler Brackets*



*Intermediate Couplers*



Motorized Roller Shades



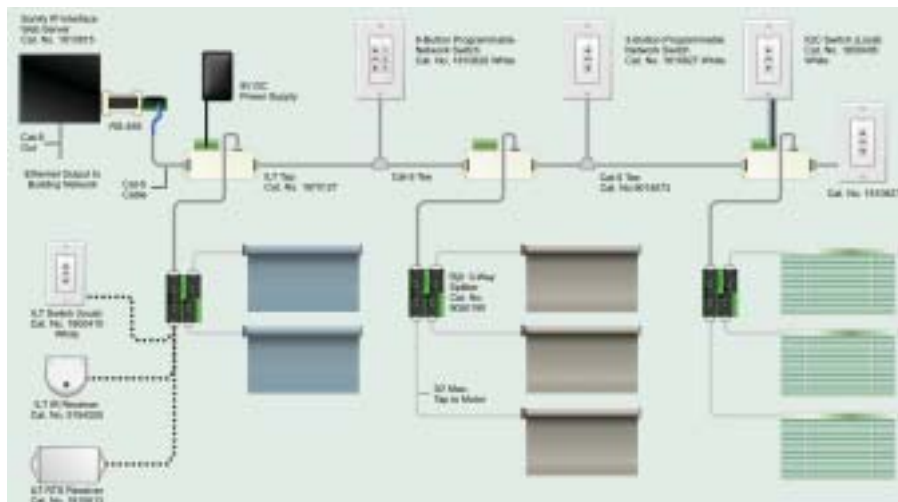
## Limited Lifetime Product Warranty!

### ILT Intelligent Network Motor:

- **Addressability:** Provides unique network addresses for selective control of individual motors.
- **Networkability:** Communication via industry standard RS-485 network.
- **Configurability:** Individual or group control with 16 customizable pre-set positions.
- **Flexibility:** Simple to integrate with third party automation systems via dry contact, IR, RF, or RS-232/RS-485.
- **Expandability:** Can easily add ILT motors and smart controls to meet changing application requirements.

### Motorized Solar Solutions via...

- Wall Switches
- Hand-Held Remote Control Transmitters
- 24-Hour Timers
- Sun Tracking Controls
- Wind Sensor Controls
- Individual & Groups Controls
- RS-232, RS-485, & Dry Contact Interfaces
- Computer Intergration Control



800.562.7425

www.mariak.com

### Light Control & Insulation:

Vertical blind window treatments provide a practical and attractive solution for controlling light and providing insulation in any room. They reflect solar heat and reduce air conditioning and heating costs by minimizing the transfer of heat and cold passed through windows. Mariak Contract manufactures a comprehensive line of solid, perforated, textured, and embossed PVC louvers; solar screen and other fire retardant fabric vanes are available.

### Operating Control Options:

- Cord & Chain Rotation & Traversing
- Safety Track Wand Rotation & Traversing
- Motorized Rotation with Cord Traversing

### The M-3000/M-3200 Vertical Blind Headrail:



#### The M-3000/M-3200 Vertical Blind Features:

- Self-Aligning Wheeled Carrier
- Double Worm Gear Carrier Provides Tight Louver Closure
- Self-lubricated Acetal Parts
- Reinforced Straps between Carriers
- Durable 0.040" Thick Aluminum Wall Headrail
- Smooth Rotation, with a 4 to 1 ratio, provided by Planetary Gears
- Robust Main Planetary Gear is of Metal Composition



Limited Lifetime  
Product  
Warranty!

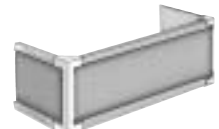
### Vertical Blind Valance Options:



Round Corner  
Dust Cover Valance



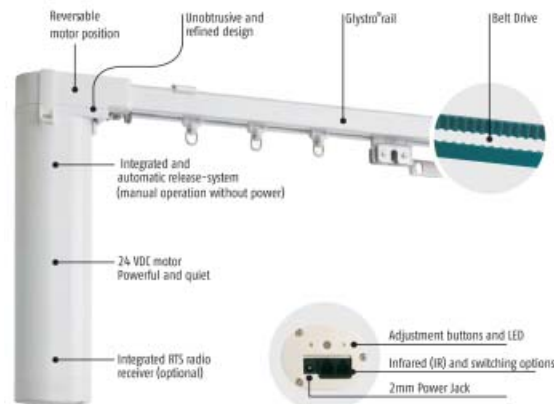
Square Corner  
Dust Cover Valance



Contract Channel Panel  
Groover Valance

800.562.7425

www.mariak.com



### Glystro Motorized Drapery Track Features:

- Designed for Most Types of Draperies
- Traversing Draperies up to 39 Ft. and 110 lbs.
- One-Way or Split Draw Stacking
- Straight and Curved Track Options
- Compatible with third party automation systems
- RF, IR, & Dry Contact Interface Control Options
- Smooth and Quiet "Soft Start & Soft Stop" Operation
- Manual Operation possible without damaging the Drapery Track

Limited Lifetime  
Product Warranty!





## Aluminum Blinds

800.562.7425  
www.mariak.com

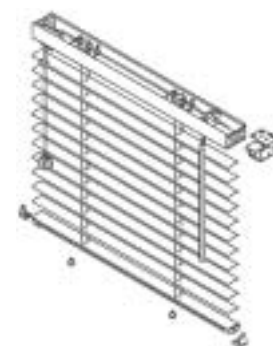
### Superior Quality Built to Last:

Mariak Contract's aluminum blind products feature a heavy-duty line of stamped metal and injection molded plastic components. Providing for maximum strength and resistance to corrosion, 6-gauge & 8-gauge slats are manufactured of 5086-H19 aluminum alloy. When formed during production, this alloy increases stability, creating a spring reaction that resists dents or bends in the aluminum slats. All aluminum slats have a signature pre-coating, which acts as an anti-static dust repellent. To ensure product reliability, all aluminum blind headrails and bottomrails are made of phosphate treated steel, finished with a vinyl primer and a top layer of polyester baked coating. Additionally, all internal hardware and components are manufactured of heavy-duty acetal low-friction thermoplastics that are mechanically locked into the headrail channel by means of snap-in fittings.



### Headrail Options:

- Contractor Blind: 1" x 1" headrail with 6-gauge aluminum slats (snap-in parts)
- Residential Blind: 1" x 1" headrail with 8-gauge aluminum slats (snap-in parts)
- Professional Blind: 1 1/2" x 1" headrail with 6-gauge aluminum slats (snap-in parts)
- Estate Blind: 1 1/2" x 1" headrail with 8-gauge aluminum slats (snap-in parts)
- Dynasty Commercial Blind: 1 1/2" x 1" headrail with 6-gauge aluminum slats (clinched in metal parts)
- Dynasty Architect Blind: 1 1/2" x 1" headrail with 8-gauge aluminum slats (clinched in metal parts)
- 2" Aluminum Blind: 2" x 1 1/2" headrail with 8-gauge aluminum slats (snap-in parts)
- Levolor Riviera Blind: 1 1/2" x 1" headrail with both 6-gauge & 8-gauge aluminum slats



### Cord Ladder Spacing Options:

- 18.0 mm Privacy Spacing: 16.9 slats/ft.
- 19.5 mm Classic Spacing: 15.7 slats/ft.
- 21.5 mm Contract Spacing: 14.2 slats/ft.
- 22.5 mm Privacy Spacing: 13.5 slats/ft.

### Operating Control Options:

- Wand, Cord, or Motorized Tilt

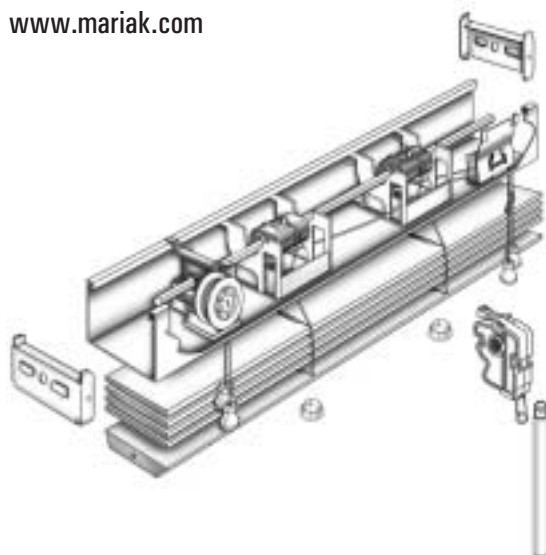
Limited Lifetime  
Product Warranty!

**LEVOLOR**  
Mariak Contract is a  
Licensed Manufacturer of  
Levolor Riviera Metal Blinds!



## Fauxwood and Basswood Blinds

800.562.7425  
www.mariak.com



### Craftsmanship At Its Finest:

The quality craftsmanship, durability, and incredible selection distinguish Mariak Contract's Fauxwood and Basswood horizontal blinds. These products are produced with the highest quality metal and polycarbonate components. Additionally, Fauxwood and Basswood blinds are built on a roll-formed, heavy-duty steel headrail, which further increases the strength and stability of the product. The operating components are secured inside the headrail by means of snap-in fittings. Mariak Contract's cord lock incorporates a stainless steel wear guard and has a crash-resistant safety feature that locks the blind automatically once the lift cords are released. To provide smooth operation and tight slat closure, the cord tilter utilizes a steel gear housing, while the wand tilter incorporates a double worm gear arrangement.

### Options:

- Wand, Cord, or Motorized Tilt
- Cord Ladder, Privacy Cloth Tape, Routless
- 3 1/4" Royal Valance or 6" Barrington Valance

Limited Lifetime  
Product Warranty!

*Fauxwood materials are inherently fire retardant, and natural Basswood materials can be treated to meet fire retardant specifications.*



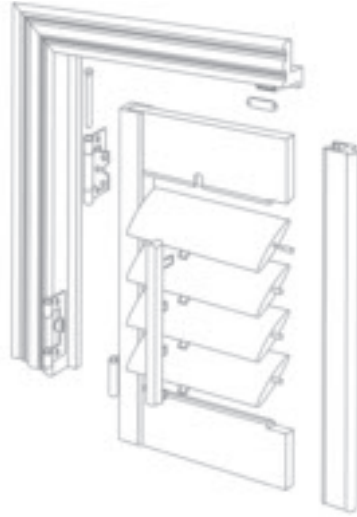
## PolyCraft Shutters

800.562.7425

www.mariak.com

### Engineered For Durability:

The PolyCraft shutter manufactured by Mariak Contract is an engineered hard polymer created from state of the art extrusion technology. PolyCraft materials are created through an extremely specialized form of PVC extrusion that creates a very hard surface. This hardened surface makes PolyCraft shutters strong, durable, and difficult to dent. After years of research and design, the PolyCraft shutter offers the highest quality alternative available to a wood shutter.



### PolyCraft Shutters...Compare the Difference!

- Last longer than wood shutters
- Easy to clean and maintain
- Provides up to 70% better insulation than wood shutters
- Resistant to weather and climate changes
- Mold Resistant
- Moisture Resistant
- Termite Resistant
- Fire Resistant (FR)
- No Trees Harmed!
- Guaranteed not to warp, crack, split, peel, delaminate, or yellow in the sun's rays

Limited Lifetime  
Product Warranty!

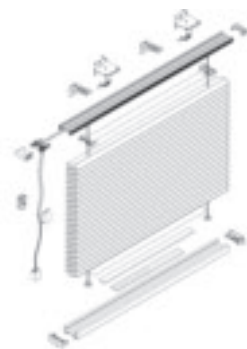
## Cellular Shades

800.562.7425

www.mariak.com

### Designed With Privacy and Energy Efficiency In Mind:

Cellular shades manufactured by Mariak Contract are a wonderful way to control light. The honeycomb-shaped fabric construction not only blocks most of the sun's harmful rays, thus helping to protect interior furnishings from fading, but also features excellent insulation qualities, which reduce air conditioning and heating costs. Light filtering cellular shade fabrics liven up any room with a soft warm glow, while simultaneously providing privacy. Room darkening fabrics block light and offer additional insulation. Mariak Contract's cellular shade fabrics are comprised of a variety of spunlace materials that are exceptionally soft-to-the-touch. To prevent flattening of the fabric, thus maintaining the pleated appearance Mariak Contract's cellular shades exhibit, these unique fabrics have been engineered with a pleated tab at the back of each cell providing permanent cellular pleat retention. In addition, Mariak Contract offers a variety of fabrics that meet or can be treated to meet Class I flame retardant specifications.



### Control Options:

- Motorized Control
- Cordless
- Continuous Cord Loop
- Pull Cord Control

### Shade Options:

- Standard Rectangular
- Top-Down / Bottom-Up
- Top-Down Only
- Day / Night
- Fanned Angle Top or Bottom
- Arches & Specialty Shapes

Limited Lifetime  
Product Warranty!

# Roman Shades, Draperies, and Top Treatments

## Bring Out The Soft Style:

For hospitality related projects where design is of the utmost importance, Mariak Contract manufactures a variety of soft treatment products aimed at providing the finishing touch on any room. Roman shades, drapery panels, and top valance treatments are often used by design firms to enrich the decor of common lobby areas, hotel bedrooms, and conference rooms. In addition to the obvious design elements, roman shades and draperies act as an excellent insulator, reducing heating and air conditioning costs. Furthermore, light filtering and room darkening liner options provide privacy from the outside world. Mariak Contract offers a variety of fabrics that meet or can be treated to meet Class I flame retardant specifications.

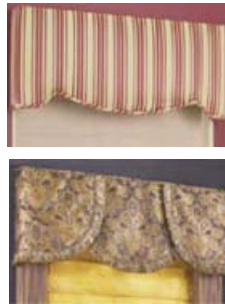


## Roman Shade Control Options:

- Motorized Control
- Continuous Cord Loop
- Pull Cord Control

## Roman Shade Options:

- Standard Rectangular
- Top-Down / Bottom-Up
- Up-ended Headrail
- Cord Behind or Forward
- Light Filtering Liner
- Room Darkening Privacy Liner



## Available Soft Style Treatments:

- Roman Shades
- Drapery Panels
- Upholstered Cornice Board Valances
- Board Mount Valances
- Pole Mounted Valances
- Decorative Drapery Hardware

# Motorized Applications

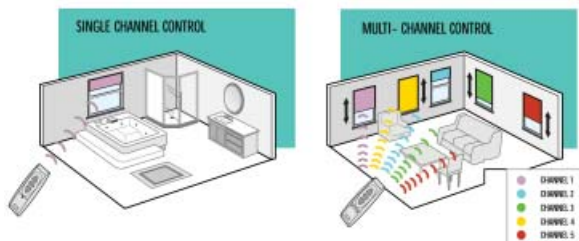
## Motorized Solutions for Everyday Applications:

At the touch of a button, window coverings can be instantly adjusted to changing activities or varying sun conditions.

- Easily Adjust Hard to Reach Places
- Effortlessly Adjust Window Coverings
- Instantly Create Privacy
- Conveniently Manage Glare
- Automatically Protect Furnishings
- Reduce Energy Costs

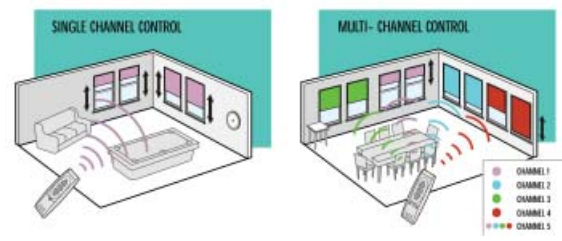
## Motorized Window Treatment Options:

- Remote Control
- Wall Switch Control
- 24-Hour Timers
- Sun Tracking Controls
- Wind Sensors
- Dry Contact Integration
- RS232 Integration
- IP Computer Integration



### Individual Motor Control

Individual motor control provides for operation of each motorized window covering separately.



### Group Motor Control

Group motor control provides for operation of multiple motorized window coverings at the same time.



# Many Window Solutions From One Source

575 West Manville Street  
Rancho Dominguez, CA 90220, USA  
800.562.7425  
800.459.6999 Fax  
www.mariak.com

Founded in 1986, Mariak Contract has become one of the leading manufacturers of contract window covering products in the United States. Mariak products have been used in a variety of commercial, health-care, hospitality, educational, military, and multi-unit residential applications.

## Mariak Contract Manufactures:

- Sun Control Roller Shades
- 1" and 2" Aluminum Blinds
- 2" and 3 1/2" Vertical Blinds
- 2" and 2 1/2" Fauxwood Horizontal Blinds
- 2" and 2 1/2" Basswood Horizontal Blinds
- PolyCraft Shutters
- Cellular Shades
- Roman Shades
- Drapery Panels and Top Treatments

## Mariak Contract is a Proud Member of:

- The Southern California Minority Owned Business Council
- The Small Business Administration (SBA)
- The Central Contract Registration (CCR)

## Environmental Responsibility:

Mariak Contract strongly supports the conservation of our environment through a process of recycling scrap aluminum, steel, PVC, and corrugated packaging materials. Additionally, Mariak Contract offers a wide selection of 100% PVC free fabrics, 100% recyclable fabrics, and GreenGuard Children & Schools certified materials that demonstrate low emitting VOC's, ensuring indoor air quality.



## Certification of Compliance:

Mariak Contract certifies that all metal horizontal blinds meet or exceed the Federal Specification AA-V-00200-B of June 5, 1973 for Type I or Type II venetian blinds, except in areas where the federal specification has become obsolete. The American Window Covering Manufacturers Association (AWCMA) specification of performance standards has been accepted as a substitute by government purchasing agents. All Mariak Contract metal horizontal blinds comply with the performance standards set forth in this specification.

## Product Warranty - Limited Lifetime:

Mariak Contract warrants to the original purchasers that all its contract products will be free from defects in materials and workmanship for the life of the interior project for which it was originally purchased, not to exceed twenty-five years. This limited lifetime warranty is valid so long as the original purchaser owns the product, provided that such products are properly installed by an authorized Mariak Contract Dealer. Cords used in aluminum blinds, vertical blinds, cellular shades, and roman shades are warranted for a period of three years from the date of purchase by the original purchaser. Electric motors and electronic controls shall be warranted for a period of five years and one year, respectively, from the date of purchase by the original purchaser. The obligation of Mariak Contract and its dealers is limited to the repair and replacement of the window coverings or components found to be defective and excludes shipping charges and labor cost for measuring and installation. Repairs will be made with like or similar parts. This warranty excludes any conditions or damages resulting from misuse, abuse, normal wear and tear, or failure to follow Mariak Contract installation, operation, or cleaning instructions. This warranty is exclusive and in lieu of all other obligations, liabilities, or warranties. In no event shall Mariak Contract or its dealers be liable or responsible for incidental or consequential damages or for any other direct or indirect damage, loss, cost, expense, or fee. Warranty claims must be accompanied by proof of purchase.

## Project References...To Name A Few:

Window covering products manufactured by Mariak Contract have been specified and used in all of the projects listed below:

Commercial Projects:	Healthcare Projects:	Educational Projects:	Government & Military Projects:
- Broadcom Corporation, CA	- Children's Hospital, MO	- Arizona State University	- 29 Palms Marine Base, CA
- Erdman & Associates, WI	- Sacred Heart Hospital, OR	- Loyola Marymount University, CA	- Camp Pendleton Marine Base, CA
- Hilton Corporation, NV & TN	- Simi Valley Hospital, CA	- Loyola University of Chicago, IL	- China Lake Naval Weapons Ctr, CA
- Howard Hughes Corporation, NV	- St. Joe's Hospital, AZ	- Pitzer College	- Edwards Airforce Base, CA
- Hunt Building Corporation, NV	- St. Joseph Medical Center, IL	- University of California Irvine	- Fort Erwin Army Base, CA
- Long Beach Credit Union, CA	- St. Luke's Hospital, AZ	- University of California San Diego	- Hawaii Military Facilities, HI
- Pacific Life Insurance Corp., CA	- Summerlin Medical Center, NV	- University of Phoenix, NV	- Luke Air Force Base, AZ
- Qualcomm Corporation, CA	- VA Hospital Memphis, TN	- University of Southern California	- Marine Corps Air Station, NC
- Salt River Project (SRP) Utility, AZ	- VA Hospital Southern, NV	- West Coast University, CA	- Nellis Air Force Base, NV
- Southern Wine & Spirit Corp., CA	- VA Hospital, TX	- Western Oregon University	- Vandenberg Air Force Base, CA