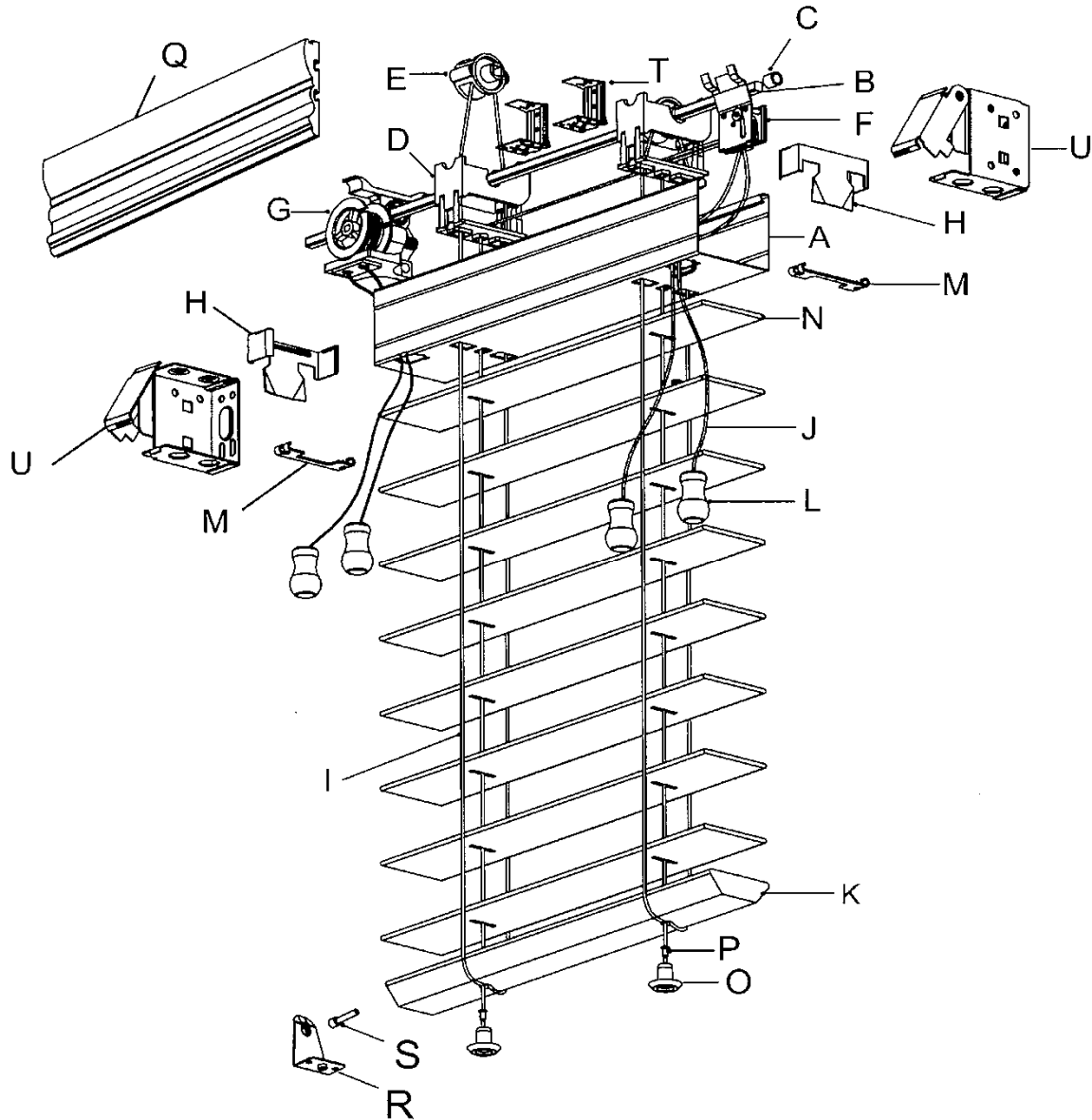


Product Cut Sheet: Economy Ready-Made Fauxwood Horizontal Blind



Parts:

- | | |
|-----------------------------------|------------------------------------|
| A) High Profile Headrail – Steel | L) Cord Tassels |
| B) Pinion Rod (Tilt Rod) – Square | M) Top Slat Clip |
| C) Pinion Rod Cap | N) Slats |
| D) Tape Drum Support (Cradle) | O) Bottomrail Plugs |
| E) Tape Drum (Ladder Drum) | P) Cord Grommets |
| F) Cord Lock | Q) 3 ½" Royal Valance |
| G) Cord Tilter | R) Hold Down Brackets |
| H) End Stiffener | S) Hold Down Pins |
| I) Cord Ladder | T) Center Support Brackets |
| J) Lift Cord 1.8mm | U) Box Style Installation Brackets |
| K) Bottomrail - Trapezoid | |

Product Cut Sheet: Economy Ready-Made Fauxwood Horizontal Blind

Blind (Material) Options:

- Fauxwood – Poly Vinyl Chloride (PVC) 2"



Headrail:

- Polyester baked enamel – color coordinated
- Phosphate treated steel – 2" x 2" high
- Wall thickness – 0.018" (before paint)

Valance Options: *(Color Coordinated)*

- Royal Valance – 3 1/4" high
– Available for Fauxwood

Bottomrail: *(Color Coordinated)*

- Trapezoid shade for tight slat closure



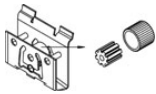
Tilt Controls:

Cord Tilt Option

- Acetal thermoplastic wheel to rotate smooth and with minimal noise

Control Locations: *(Restrictions may apply)*

- Standard: Tilter – Left / Lift Cords – Right



Lift Control (Cord Lock):

- Snap-in design incorporates a stainless steel wear guard over which cords pass
- Incorporates a "Crash Proof" safety feature that locks the blind automatically upon release of cords

Other Headrail Channel Hardware:

- Headrail components are made of low friction acetal thermoplastics
- Snap-in design of components allows for quick and easy repair if necessary



Cord Ladder: *(Color Coordinated)*

- Polyester braided cord ladders are designed to ensure proper control with adequate overlap of slats when in the closed position

Cord Ladder Spacing:

- Maximum spacing between rout holes:
– Fauxwood = 11"



Lift Cords: *(Color Coordinated)*

- 1.8mm Polyester braided cords designed for lifting and lowering the blind

Mounting Hardware:

- Universal box brackets (color coordinated)
- Center supports on blinds wider than 60"
- Extension brackets (when requested)
- Hold down brackets (when requested)



Size Recommendations:

- Minimum Width – 9"
- Minimum Drop – 9"
- Maximum Width – 96"
- Maximum Drop – 96"

The sizes listed above are merely recommendations. Blinds may be ordered larger if required. Optional 2 or 3 blinds on a single headrail are available as well.