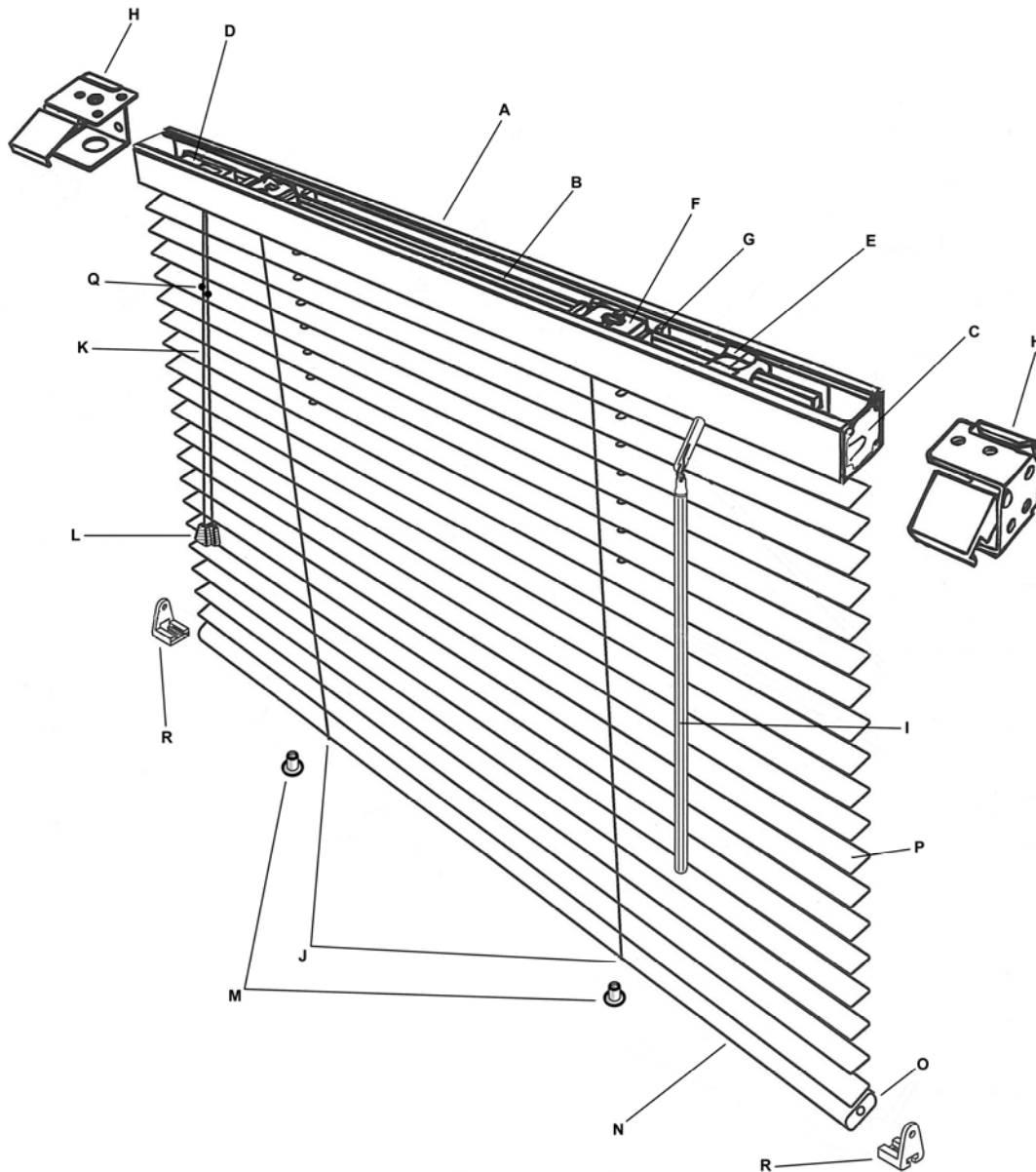


# Product Cut Sheet: 1" x 1" Contractor Aluminum Mini-Blind System



## Parts:

- |                                   |                                  |
|-----------------------------------|----------------------------------|
| A) Headrail – Steel               | J) Cord Ladder                   |
| B) Pinion Rod (Tilt Rod) – Square | K) Lift Cord 1.4mm               |
| C) End Stiffeners                 | L) Cord Tassels                  |
| D) Cord Lock                      | M) Bottomrail Plugs              |
| E) Wand Tilter                    | N) Bottomrail – C Shape          |
| F) Tape Drum (Ladder Drum)        | O) Bottomrail End Caps           |
| G) Tape Drum Support (Cradle)     | P) Slats                         |
| H) Box Installation Bracket       | Q) Cord Safety Rings             |
| I) Wand – Clear Hexagonal         | R) Hold Down Brackets - Optional |

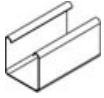
## System Features:

- Heavy Duty Metal and Plastic Components
- Wand Tilter has a metal stem making in the strongest tilter in the industry

# Product Cut Sheet: 1" x 1" Contractor Aluminum Mini-Blind System

## Blind Options:

- Contractor Mini-Blind – 1" x 1" Headrail with 6-Gauge Aluminum Slats



### Headrail:

- Polyester baked enamel – color coordinated
- Phosphate treated steel – 1" x 1" high
- Wall thickness – 0.024" (before paint)

### Valance Options: *(Color Coordinated)*

- Single slat valance
- Double slat valance
- Deluxe double slat valance

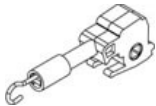


### Bottomrail: *(Color Coordinated)*

- Steel – C shape
- Phosphate treated steel
- Wall thickness – 0.024" (before paint)
- Clear plastic end caps

## Tilt Controls:

### Wand Tilt Option



- The stem of the tilt mechanism are made of steel providing superior durability
- The worm and gear arrangement is entirely enclosed inside an acetal thermoplastic housing

### Control Locations: *(Restrictions may apply)*

- Standard: Tilter – Left / Lift Cords – Right
- Reverse: Tilter – Right / Lift Cords – Left
- Same Left: Tilter – Left / Lift Cords – Left
- Same Right: Tilter – Right / Lift Cords - Right



### Lift Control (Cord Lock):

- Snap-in design incorporates a stainless steel wear guard over which cords pass
- Incorporates a "Crash Proof" safety feature that locks the blind automatically upon release of cords

### Other Headrail Channel Hardware:

- Headrail components are made of a combination of metal and low friction acetal thermoplastics
- Snap-in design of components allows for quick and easy repair if necessary



### Cord Ladder: *(Color Coordinated)*

- Polyester braided cord ladders are designed to ensure proper control with adequate overlap of slats when in the closed position

### Cord Ladder Spacing:

- Maximum spacing between rout holes is 20"
- Options:
  - Builder Ladder: 22.5mm (13.5 Slats/Ft.)
  - Contract Ladder: 21.5mm (14.2 Slats/Ft.)
  - Classic Ladder: 19.5mm (15.7 Slats/Ft.)
  - Privacy Ladder: 18.0mm (16.9 Slats/Ft.)

*Privacy ladder features an offset route hole that provides for increased light blocking.*

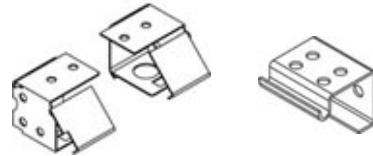


### Lift Cords: *(Color Coordinated)*

- 1.4mm Polyester braided cords designed for lifting and lowering the blind

### Mounting Hardware:

- Universal box brackets (color coordinated)
- Center supports on blinds wider than 60"
- Extension brackets (when requested)
- Hold down brackets (when requested)



### Size Recommendations:

- Minimum Width – 9"
- Minimum Drop – 9"
- Maximum Width – 96"
- Maximum Drop – 96"

*The sizes listed above are merely recommendations. Blinds may be ordered larger if required. Optional 2 or 3 blinds on a single headrail are available as well.*