

Coat Racks / Floor Racks / Hooks / Hangers Hook Panels / Concealed Wardrobes



EMCO
Specialty Products, Inc.

Aluminum & Hardwood Coat Racks

Whenever large groups gather at convention centers, hotel meeting rooms and other public assembly facilities, they need the rugged practicality of EMCO's coat and hat rack systems. These convenient storage units require limited space and stand up under heaviest use.

- Easy-to-install sturdy aluminum wallstrip and brackets in Satin Black
- Concealed fasteners anchor hanger bars to brackets
- Custom lengths from 2' to 50'+
- Space efficient, non-obtrusive design
- Convenient coat hooks securely fastened in extruded aluminum satin (silver) or bronze slats
- Hanger bar features an extremely durable, scratch-resistant powder coat finish in Black



R1 System

Shown in Satin (Silver)

This basic hanger system is perfect for hotels, restaurants, churches and schools. It is easy to install and built to last. The slat options are satin (silver) and bronze extruded aluminum as well as the American hardwood selection of light or medium oak and walnut finish.



U Utility Shelf System

Shown in Satin (Silver)

This utility shelf solves your need for additional storage above an existing shelf or in a storage room by itself. Perfect for lower grade classrooms at just above floor level for storage of boots and other items.



R2 System

Shown in Light Oak

Double shelf unit is the right choice in those situations where additional storage is needed.



HCR Hinged System

Shown in Medium Oak

EMCO's unique hinged coat rack system makes compliance with the use and access specifications of the American Disability Act (ADA) simple and economical. When not in use, the HCR model conveniently retracts out of the way.

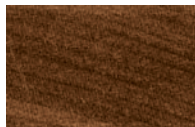
Hardwood Selections



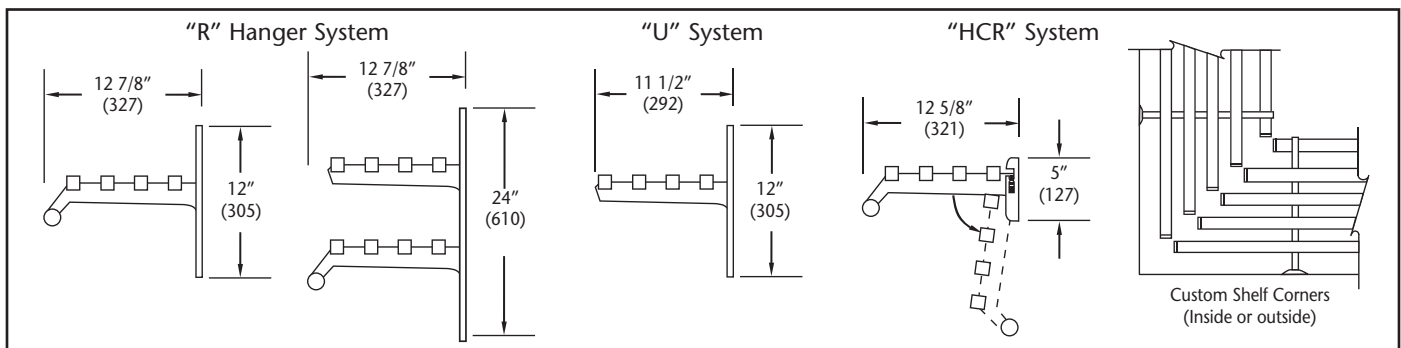
Light Oak



Medium Oak



Walnut

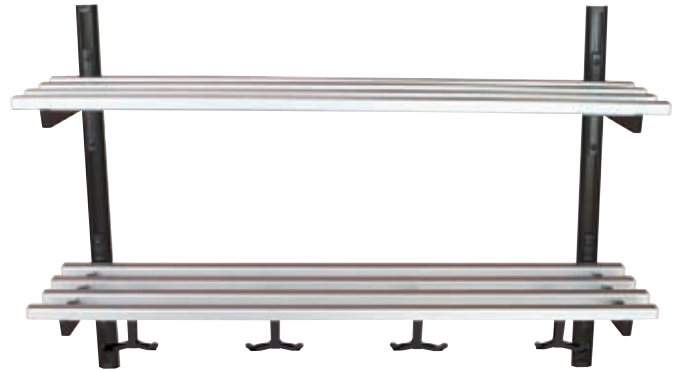


Coat Racks, Hooks & Hangers



H1 System

Shown in Bronze
Maximum capacity with a minimum of space. Molded double-pronged polycarbonate hooks come in Red, Yellow, Dark Brown, Gray, Green, Blue, Purple, Orange or Black.



H2 System

Shown in Satin (Silver)
The perfect solution for those situations where additional storage is needed with the hook system.



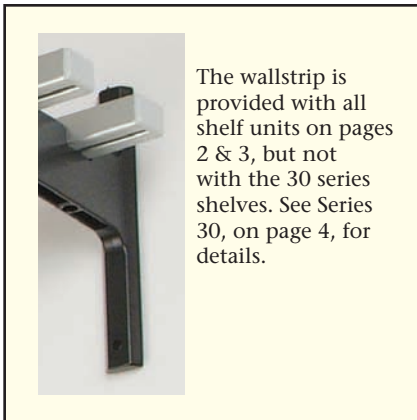
T1 System

Shown in Satin (Silver)
Crush-free coat storage system which includes four No. 10 ball top hangers and locked-in-place receptacles per foot of shelf.



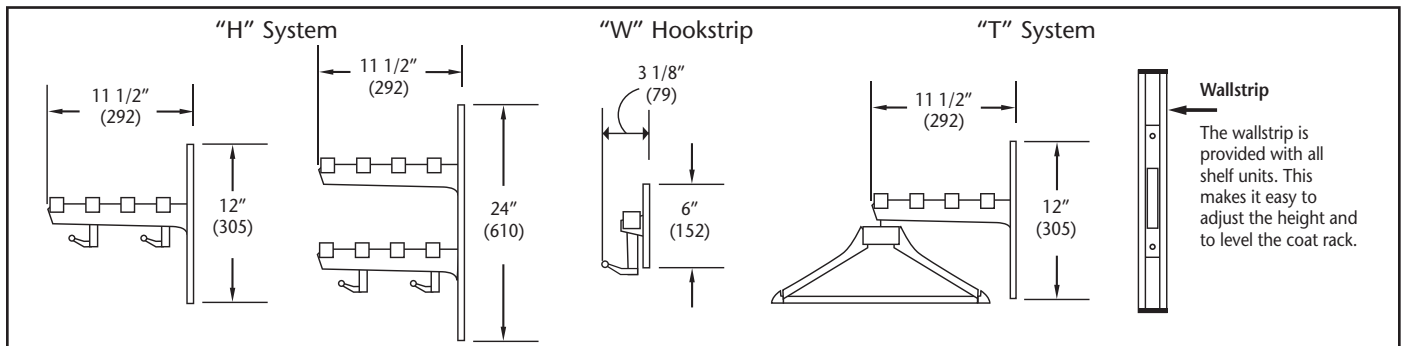
W Hook Strip System

Shown in Satin (Silver)
Ideal complement under any shelf system. May also be used by itself. Comes with molded double-pronged polycarbonate hooks in the same colors as the H1 system.



10HK Hook Color Choices

The 10HK color hook system is perfect for schools and other organizations that strongly identify with colors.



Series 30 Hanger Shelf Systems

#31
equivalent to the
Utility Shelf



#32
equivalent to the R1



#33
equivalent to
the H1



#34
equivalent to the W
Hook Strip



Series 30 Hanger Systems

The Series 30 Hanger systems do not include wallstrips.

The bracket is fastened directly to the wall.

- Brackets and hanger rod are satin black
- Aluminum Slat finishes: Satin (Silver) & Bronze
- Wood slat finishes: Light, Medium Oak, Walnut
- Hangers sold separately – we recommend 4 per foot
- Wall fasteners not provided by EMCO
- Hook colors: Blue, green, orange, red, yellow, gray, dark brown, black, purple and assorted

Hangers & Receptacles



Model Number 10
Dark Brown molded plastic hanger with a unique non-slip trouser bar. Available in conventional open hook and ball top for use with A, B or C receptacles.



Model Number 15
Durable 17" hardwood hanger with lacquered finish. Plated hook in open, ball top or closed loop designs with pants bar. Available with or without skirt clip.



Model Number 11
The texture of grained leather in a Black, molded hanger. The hook is heavy-gauge plated steel. Available in open hook, ball top for receptacles and theft-proof closed loop.



Model Number 17
Heavily plated hanger of 3/16" wire, shaped, and securely formed to take maximum abuse, available in open hook, ball top and closed loop.



Model Number 13
Contemporary design in a choice of Walnut, Light Oak or Medium Oak finished hardwood. Furniture finish with plated hook in open or ball top style.



3 hook styles to choose from!
(see chart)



Model Number A

Receptacle - Can install over existing rods, then snaps closed permanently. Slides freely on rods up to 1-3/8" dia. Dark Brown finish.

Model Number B

Receptacle - Fits EMCO 1" hanger rod securely for a fixed spacing. Molded, Black.

Model Number C

Receptacle - Nickel-plated steel slides on hanger rods up to 1-3/8".

Hangers/Receptacles

Model	Material	Color	Ball Top	Open Hook	Closed Loop
10	Plastic	Dk. Brown	x	x	
11	Plastic	Black	x	x	x
13	Hardwood	Lt. Oak	x	x	
		Md. Oak	x	x	
		Walnut	x	x	
15	Hardwood	Natural	x	x	x
	Hardwood W/SC	Natural	x	x	x
17	3/16" Wire	Chrome	x	x	x
A	Plastic	Dk. Brown			
B	Plastic	Black			
C	Steel	Nickel Plated			

Hooks, Hangers & Hook Panels

Hook Collections

EMCO's selection of hat and coat hooks are sure to satisfy your decorating needs. Our hooks are available in aluminum and steel construction. The many color choices give you the ability to add some spice to your work area. If you prefer, we can mount these hooks directly to oak or walnut panels, which feature soft radius edges, and come with a concealed wall fastener plate. They will accommodate two, three, four or six hook sizes.



HOOK DIMENSIONS					
Model	Material	Height	Width	Projection	Colors
A10	Aluminum	4-7/8"	1-3/8"	4-1/4"	Silver
A11	Aluminum	5"	2-3/4"	3-3/8"	Silver
A19	Aluminum	6-3/8"	3/4"	3-3/8"	Silver
D10	Aluminum	2-3/4"	3/4"	2-3/8"	Almond, Antique Brass, Black, Dark Brown, Silver
L1	Aluminum	2"	1-3/8"	2-5/8"	Silver
L2	Aluminum	2"	3"	2-1/2"	Silver
M10	Aluminum	5"	2-3/16"	3-3/8"	Chrome, Brown, Black, Red, Yellow
P1	Aluminum	1-1/2"	1-1/2"	2-1/2"	Black, Silver
S10	Steel	5-5/8"	3/4"	3-3/8"	Black
SLH	Steel	2-5/8"	3/8"	1-7/8"	Silver
Y10	Aluminum	2-15/16"	3/4"	3"	Black, Silver



HOOK PANELS

Hook panels are available in Light Oak, Medium Oak or Walnut solid wood panels, with 2, 3, 4 & 6 hooks per panel. They may be ordered with your choice of hooks and knobs installed.

(All panels are shipped completely assembled)

Available in Oak or Walnut

Contact Us for Custom Length Hook Panels

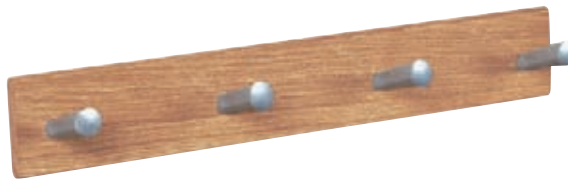
Number of Hooks	"A" Panel Depth	"B" Panel Height	"C" Panel Length
2 Hook Panel	5/8"	3 3/4"	8"
3 Hook Panel	5/8"	3 3/4"	12"
4 & 6 Hook Panel	5/8"	3 3/4"	24"-26"

Hook Panels – All Three Finishes Available for Hook Panels



HD10 Hook System

Shown in Medium Oak
High quality finish panel board with stylish hook. Choose from 2, 3, 4 and 6 hook panels



13K Hook System

Shown in Light Oak
Attractive panel with A-17 pegs. Perfect wherever space is limited. Has radiused edges and concealed mounting.



GHP

Shown in Medium Oak
This hard wood hook panel utilizes the P1 hook for holding the guests garment bag.



13P1

Shown in Medium Oak
This versatile hanging unit for coats and hats, uses a slotted D10 hook as well as two P1 peg hooks. Comes with matching #13 hanger.



13P2

Shown in Light Oak
This executive costumer is the same style as the 13P1, but comes with two matching wood hangers.



13C2

Shown in Walnut
Handsome enough for the executive office. Has radiused edges, hidden fasteners plus luxury finishes with matching hangers.



13U6 Hook Strip

Nickel plated steel hooks on a brushed metal panel. Great for tight fitting spaces.



13U12 Hook Strip

Double storage capacity with the 12 hook panel.



13D10 Hook System

A slotted hook below to receive a contemporary hanger with hat holder above. A number 11 ball top hanger is included.



13Y10 Hook System

This costumer uses an aluminum double slotted Y10 hook which holds two number 11 ball top hangers.

Hook Board Dimensions					
Model	Panel Height	Panel Projection	Panel Length	No. Of Hooks	Weight
2HD10	3-3/4"	3-1/8"	8"	2	1
3HD10	3-3/4"	3-1/8"	12"	3	1-3/4
4HD10	3-3/4"	3-1/8"	24"	4	2
6HD10	3-3/4"	3-1/8"	24"	6	3-1/4
13C2	5-5/8"	3-7/8"	17"	4	3
13D10		2-1/2"	17"		1
13K2	3-3/4"	3-7/8"	8"	2	1
13K3	3-3/4"	3-7/8"	12"	3	2
13K4	3-3/4"	3-7/8"	24"	4	2
13K6	3-3/4"	3-7/8"	24"	6	3
13P1	5-5/8"	3-1/4"	17"	3	3
13P2	5-5/8"	3-7/8"	17"	3	3
13U6	2-1/2"	1-3/4"	18"	6	2
13U12	2-1/2"	1-3/4"	39"	12	3
13Y10		3-1/4"	17"		1
GHP	5-5/8"	3-1/8"	6"	1	2

Portable Coat & Floor Racks

Floor Racks

Rigid construction, clean design and low cost are combined in a basic floor rack. Convenient for hallway or receiving area in office building. Choose single or double sided styles in 3' or 4' lengths in Almond or Black. Hangers are included. Boot rack and casters options are available.



20-3 System

Shown in Black
This 36" unit comes with 12 open hook hangers.



20-4 System

Shown in Almond with optional boot rack & umbrella holder
This 48" floor rack includes 16 open hook hangers.



22-4 System

Shown in Black
This double sided 48" unit comes with 32 open hook hangers.



#72 Portahanger System

Shown with Satin (Silver) Slats
Completely assembled at factory, this hanger model has a 72-coat capacity with a single shelf. Hangers not included.



#80 Portahook System

Shown with Satin (Silver) Slats
Forty double-pronged polycarbonate hooks are virtually indestructible and lock inside radiused aluminum shelves. 40 hooks provided accommodate 80 coats.

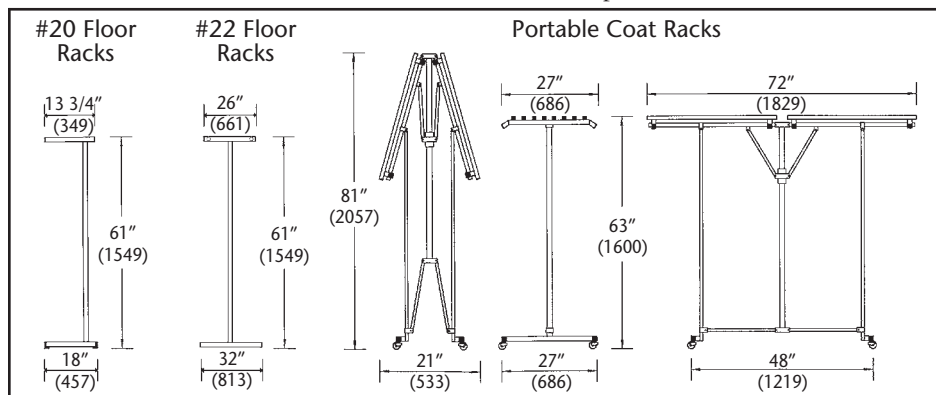


Hanger Bar



22-3 System (not shown)

This double sided 36" unit comes with 24 open hook hangers.



Portable Coat Racks

These versatile portable coat racks can be used as temporary checkrooms in a variety of settings including hotels, schools, churches, convention centers and galleries. The racks fold in a snap to 21" x 81" and move through ordinary doorways or narrow corridors. Fully extended, all units are 72" L, 63" H, 27" D. All frames are Black with 3" casters. Choice of satin (silver) or Bronze shelves.

Classroom/Concealed Wardrobe Systems

EMCO

408 Miami Ave.
Kansas City, KS 66105
Phone: 913-281-4555
Fax: 913-281-4554
www.emcospi.com

Specialty Products, Inc.

Manufacturer reserves the right to modify design, change programs, prices or specifications at any time.



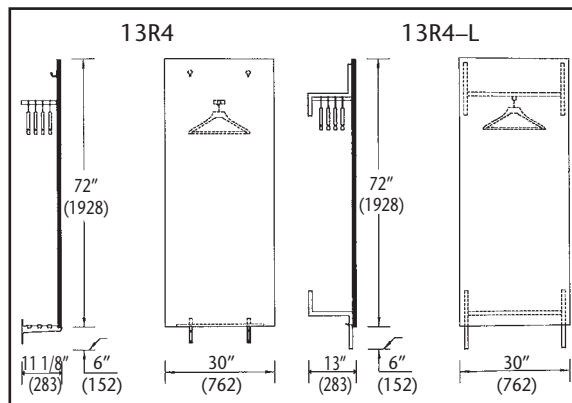
EMCO Wardrobes

Our line of wardrobes are ideal for virtually any space where there is the need for convenient storage.

- Easy to install, maintenance-free
- The frames have a durable, scratch-resistant powder coat finish
- Concealed Wardrobes have a laminate front panel with a finish choice of Light Oak, Medium Oak, Walnut, as well as white
- Classroom Wardrobes have a tackable front panel (available in a variety of colors)

13R4 Concealed Wardrobe

Cantilevered simple elegance. The chamfered-edged panel secures to lower die cast aluminum brackets. The lower shelf is ideal for briefcase or boots. Four contemporary hangers are spaced on the hanger bar which has its own bracket for panel and wall attachment. Two separate hat hooks are mounted to the panel interior.



13R4L Concealed Wardrobe

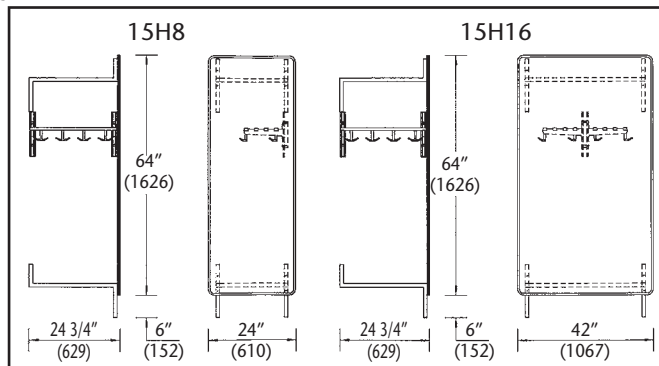
To-the-floor legs give additional support which is desirable when walls are not capable of handling extra weight. Four hangers plus full shelf, top and bottom, provide added storage.

15H8 Classroom Wardrobe – Corner Unit

Single student unit, or teacher supply closet. Designed with a hook shelf which is adjustable to various heights.

15H16 Classroom Wardrobe

Double student unit contains hooks and shelf space to accommodate coats, books, and supplies for 16 students. The hook-shelves are adjustable for students' easy access.



Specifications

Coat Racks

Part 1 - General

- Description: Furnish and install wall mounted coat rack.
- Related Work: (Refer to Section of Specs which applies to wall blocking for coat racks.)

Part 2 - Products

- Manufacturer: EMCO (specify H1, H2, HCR, R1, R2, T1, Hook Strip, Utility Shelf or Series 30 Shelves) unit by EMCO Specialty Products, Inc., Kansas City, KS.
- Materials:
 - Wallstrips are 1/2" extruded aluminum powder coated black.
 - Brackets are solid cast aluminum powder

coated black. Bracket screws are included to allow for height adjustment.

- Shelf slat is extruded aluminum (specify finish) or (specify walnut, light or medium oak) hardwood slat.
- (H1, H2, Hook Strip Series) shall include double-pronged polycarbonate 10HK hook locked in place in second and fourth slat. The number and arrangement as per manufacturer's standards. Hook color to be (specify red, yellow, dark brown, gray, green, purple, orange, blue or black.)
- (R1, R2, HCR, and Series 30) Hanger bar shall be 1" black aluminum tube capped at each end.
- Accessories: EMCO hanger No. (specify hanger and receptacles) shall be spaced 4 per foot.

Part 3 - Execution

Installation:

- Install wall blocking
- Install wallstrip and level.
- Install brackets using EMCO fasteners.
- Install slat using EMCO fasteners.
- Remove all trash and debris.

Hooks and HOOK Panels

Part 1 - General

- Description: furnish and install wall mounted (specify hooks or hook panels).
- Related Work: (Refer to Section of Specs which applies to wall blocking.)

Part 2 - Products

- Manufacturer: EMCO (HD10, 13K, 13C2, 13P1, 13P2) series hook panel by EMCO Specialty Products, Inc. Kansas City, KS.

- Materials: Panel shall be of solid (walnut or oak) hardwood and drilled for (number of hooks). The finish is to be (walnut, medium or light oak).
- Accessories: EMCO hook no. (specify hook number) in (specify color).

Part 3 - Execution

Installation:

- Install panel mounting plate to wall.
- Check to make sure it is level.
- Remove adhesive backing strip from back of panel.
- Slide panel plate over mounting plate.
- Remove all trash and debris.

Ordering Information

- All orders must be submitted in writing. NO phone orders accepted.
- Faxed orders being confirmed by mail must clearly state "Confirmation" on the mailed order. EMCO cannot be held responsible for duplications when this information is omitted.
- No minimum order or minimum order charge.
- Always specify Name and/or Product Number, color or finish, and length (when applicable).
- F.O.B. Kansas City, Kansas.
- Terms are net 30 days.
- For drop shipments, provide street address and zip code.
- No returns after 30 days. RGA required.
- All returns subject to a 25% restocking charge. Large and custom length orders are not returnable.
- All units are shipped K.D. except hook panels and portaracks.

- All units ship Fed Ex except large quantities, portaracks, semi-concealed wardrobes and shelves over 8 ft. in length. These items ship common carrier class 70.
- Custom lengths available on all wall hung coat racks and shelves.
- All wood shelves over 8 ft. are spliced.
- All aluminum shelves over 12 ft. are spliced.
- Standard quantity of hangers per foot of coat rack is four.

- Shop drawings available upon request with purchase order.
- Color charts or slat/hanger rod samples available upon request.
- For wall to wall shelves, subtract 1" from the total width when ordering unit.

