

**SNO-GEM Original
Polycarbonate**



SNO-GEM Junior

SNO GEM™

the ultimate snow guard



Snow should only fall once

**A MULTI-FACETED SNOW GUARD
DESIGNED TO MINIMIZE UNEXPECTED FALLING SNOW AND ICE
AND ENHANCE SAFETY**

Call 888-SNO-GEMS toll free or visit our website: www.snogem.com

HOW THEY WORK: The unique design of these crystal-like guards suspends the field of snow until the snow and ice gradually melt under the sun's rays. Manufactured from UV stabilized polycarbonate.

CUT: SNO-GEM snow guard's prismatic design was developed by architectural sheet metal professionals with over 50 years of on-the-roof experience.

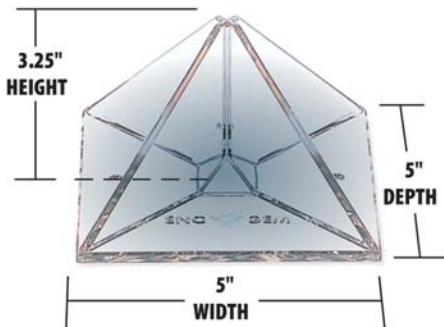
CLARITY: SNO-GEM offers a clear prismatic snow guard which retains its crisp, clean good looks. There's no metal to rust or stain. SNO-GEM snow guards are unaffected by climate extremes.

COLOR: SNO-GEM snow guards can also be matched to most colors. The color is injected throughout the material.

CARAT: The true measure of a gem's worth. At the heart of each SNO-GEM is an engineered, multi-directional, multi-purpose drain opening for melting snow and ice to flow freely, plus cables can be easily routed through opening.

Dimensions

SNO-GEM Snow Guards...



SNO-GEM Original Polycarbonate



SNO-GEM Junior



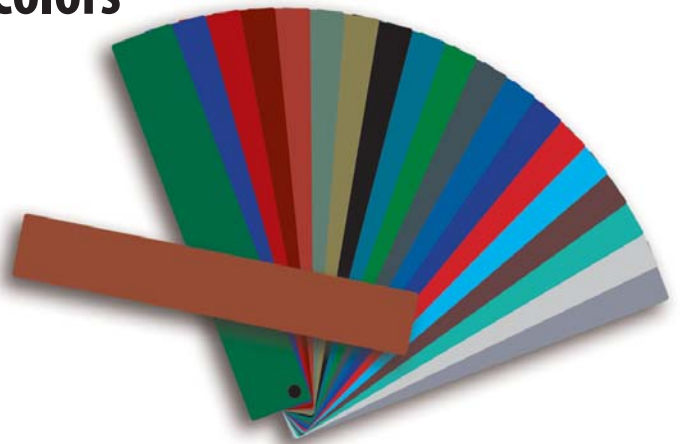
COVER PHOTO:

Project • Lincoln Park Zoo, Chicago, IL
Installation • Diagonal
Color • Solid Custom Color

ABOVE PHOTO:

Project • Lincoln Park Zoo after a snow fall

Colors



STANDARD & CUSTOM COLORS

SNO-GEM has developed the ability to match all industry standard metal roof colors. SNO-GEM also offers an unlimited amount of custom colors to meet architectural requirements.



BELOW PHOTO:

Project • Elgin Riverboat Casino - after a snowfall
Installation • Horizontal
Color • Clear

SNO-GEM Original

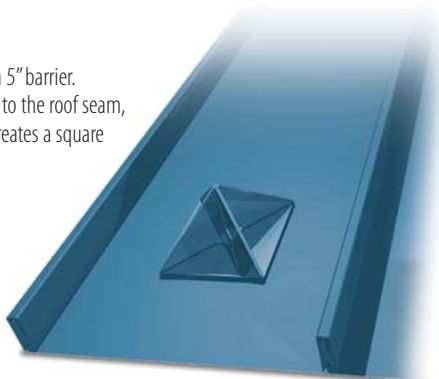
LARGEST BASE: The original SNO-GEM snow guard provides a full 25 square inches of holding power — the largest base available anywhere! The size of the base determines the shear strength of a snow guard; the larger the base the greater the amount of shear strength.

TWO APPEARANCE OPTIONS: SNO-GEM Original Polycarbonate snow guards offer two appearance options, creating a horizontal and diagonal look.

1. HORIZONTAL:

This installation creates a 5" barrier. The square sides parallel to the roof seam, centered on the panel creates a square appearance

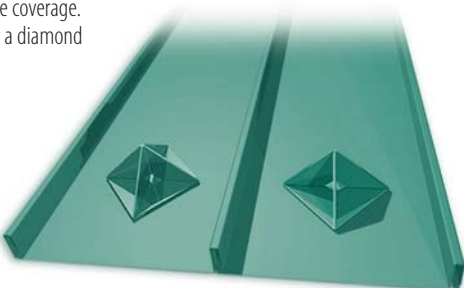
HORIZONTAL INSTALLATION



2. DIAGONAL:

This installation creates a 7" barrier. The clean angular lines of the pyramid shape were engineered to reduce the number of snow guards required on a wider width panel. When rotated on its axis 45°, SNO-GEM creates a 40% wider base coverage. This installation provides a diamond shape appearance

DIAGONAL INSTALLATION

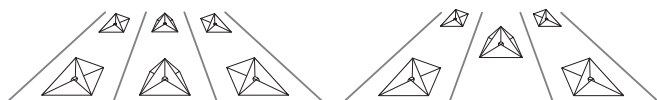


LAYOUT/DESIGN CRITERIA

Proper placement of the SNO-GEM will vary according to the following:

- Geographical location
- Panel width
- Roof pitch
- Panel length

All of these considerations will affect the layout of the snow guards. The first row of SNO-GEM snow guards is approximately one foot from eaves. When two or more rows are used, the pattern and placement of the second row is based on design preferences.



Horizontal Pattern

Staggered Pattern

SNO-GEM Junior

Designed to fit smaller roof panels, corrugated panels and other narrow areas created by intermediate ribs. With a base exactly one-half the size of the standard SNO-GEM, the Junior model offers 12.5 sq. in. of holding power

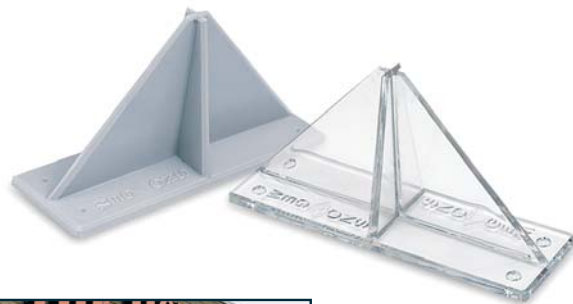


PHOTO AT LEFT:

Project • Home Depot
Installation • SNO-GEM Junior
Color • Solid Custom Color

ONE APPEARANCE OPTION: SNO-GEM Junior snow guards can only be placed in the direction shown.

SNO-GEM JUNIOR INSTALLATION



ALSO AVAILABLE:

Metal SNO-GEM Snow Guards

For copper, slate, shingles and metal roof systems. • Optional pretinned back for fast, easy solder installation.



Pretinned Backs for Soldering

Installation

- Before beginning always remember to completely clean roof area with isopropyl alcohol
- After installation, always seal perimeter of the positioned snow guard completely with SB-190 adhesive

Below are some of the installation steps for SNO-GEM'S three most popular application methods. Refer to complete installation guidelines.

3M Adhesive Tape



- 1) After applying thin coat of primer to roof surface.



- 3) Place snow guard in position on metal surface, applying firm, even pressure perpendicular to roof surface.



- 2) Peel release paper backing off adhesive tape on snow guard base.



- 4) Apply bead of sealant around SNO-GEM perimeter.

SB-190 Tube Adhesive



- 1) Apply sealant bead across SNO-GEM surface.



- 3) Apply light, even pressure.



- 2) Spread sealant evenly before placing snow guard in position on metal surface.



- 4) Apply bead of sealant around SNO-GEM perimeter.

Mechanical Fastening



- 1) Apply sealant bead across SNO-GEM surface and spread evenly.



- 3) Install screws with neoprene gasket washers through pilot holes.



- 2) Apply light, even pressure.



- 4) Apply bead of sealant around SNO-GEM perimeter.

Snow Guard Guide Specification

1. GENERAL

- A. Ice and snow guards
 1. Adhered to prefinished metal roof
 - a. SNO-GEM Original Polycarbonate snow guard (5" X 5" Base) (Minimum 25 sq. inch bonding surface)
 - b. SNO-GEM Junior snow guard (6 1/4" X 2" Base) (Minimum 12.5 sq. inch bonding surface)
 2. Projected cross-sectional area perpendicular to roof slope
 - a. SNO-GEM Original Polycarbonate snow guard (Min. 7" snow holding area at base per unit)
 - b. SNO-GEM Junior snow guard (Min. 2" snow holding area at base per unit)
 3. Clear or integrally colored per architect requirements

2. PRODUCT

- A. Acceptable manufacturer
 1. SNO-GEM, INC.
4800 Metalmaster Way, McHenry, IL 60050
PHONE: 815-477-GEMS (4367) • TOLL FREE: 888-SNO-GEMS (766-4367)
WEBSITE: www.snogem.com
- B. Materials
 1. Polycarbonate polymer material construction
 - a. General Electric "Lexan"
 - b. Bayer "Makrolon"
 - c. Duroton
 - d. Or approved equal
 2. Liquid adhesive
 - a. SB-190 sealant adhesive
 3. 3M™ Adhesive tape
 - a. Double coated acrylic foam tape
 1. "Scotch VHB™" by 3M™ factory applied to snow guards by manufacturer
 4. Primer
 - a. Tape primer 94 to be used for adhesion of 3M™ tape to metal surface

3. EXECUTION

- A. Typical Preparation
 1. Thoroughly clean metal roof surface area with isopropyl alcohol where snow guard is to be installed
 2. Contact SNO-GEM, INC for recommendations on snow guard location and spacing
- B. Installation Options (Choose 1 of the following 3)
 1. 3M™ Adhesive Tape Installation
 - a. Apply thin coat of primer to roof surface
 - b. Peel release paper backing off adhesive tape on snow guard base
 - c. Place snow guard in position on metal surface, applying firm, even pressure perpendicular to roof surface
 - d. Apply bead of sealant around snow guard perimeter
 - e. Contact SNO-GEM, INC. for time periods and ambient temperatures required for full curing of 3M™ adhesive tape
 2. Adhesive Installation (SB-190)
 - a. Spread adhesive evenly across snow guard base with toothed spreading tool ensuring there are no voids which will cause air pockets
 - b. Place snow guard in position on metal surface, applying light, even pressure perpendicular to roof surface
 - c. Apply bead of adhesive around snow guard perimeter
 - d. Contact SNO-GEM, INC. for time periods and ambient temperatures required for full curing of liquid adhesive
 3. Mechanical Fastening Installation
 - a. Spread sealant evenly across snow guard base with toothed spreading tool, ensuring there are no voids which will cause air pockets.
 - b. Place snow guard in position on metal surface, applying light, even pressure perpendicular to roof surface
 - c. Install screws with neoprene gasket washers through pilot holes in snow guard and metal roof sheet into roof substrate. Screws to be tightened to cause approximately 50% compression in neoprene gasket
 - d. Two screws minimum to be installed per snow guard. Installer to determine proper length, size, and number of screws necessary for required holding strength and torque
 - e. Apply bead of sealant around snow guard perimeter
4. Contact SNO-GEM, INC. for time periods and ambient temperatures required for full curing of liquid adhesive and adhesive tape



SNO-GEM, INC. 4800 Metalmaster Way, McHenry, IL 60050
TOLL FREE: 888-SNO-GEMS (766-4367) • FAX: 815-455-4367
WEBSITE: www.snogem.com • EMAIL: info@snogem.com

