



**Series T200 Narrow Stile • Series T300 Medium Stile • T500 Wide Stile
1 3/4" Tie Rod Aluminum Swing Entrance Doors**

Manufacturer
Of
Architectural
And
Commercial
Grade
Windows,
Curtain Walls,
Entrances,
And
Storefronts

Configurations Narrow Stile (2 1/8") • Medium Stile (3 1/2") • Wide Stile (5")

EFCO tie rod entrances are designed for shopping centers and light traffic areas requiring security and egress capabilities. Tie rod doors are factory fabricated and shipped K.D. for field assembly. EFCO tie rod doors are an attractive product for a wide range of applications and is equipped to accommodate most hardware applications. Offered in narrow, medium, and wide stiles, EFCO Tie Rod entrances can accommodate a wide range of applications. Multiple glazing options provide flexibility to meet specific design requirements. EFCO's tie rod entrances provide the complete solution for your fenestration needs.

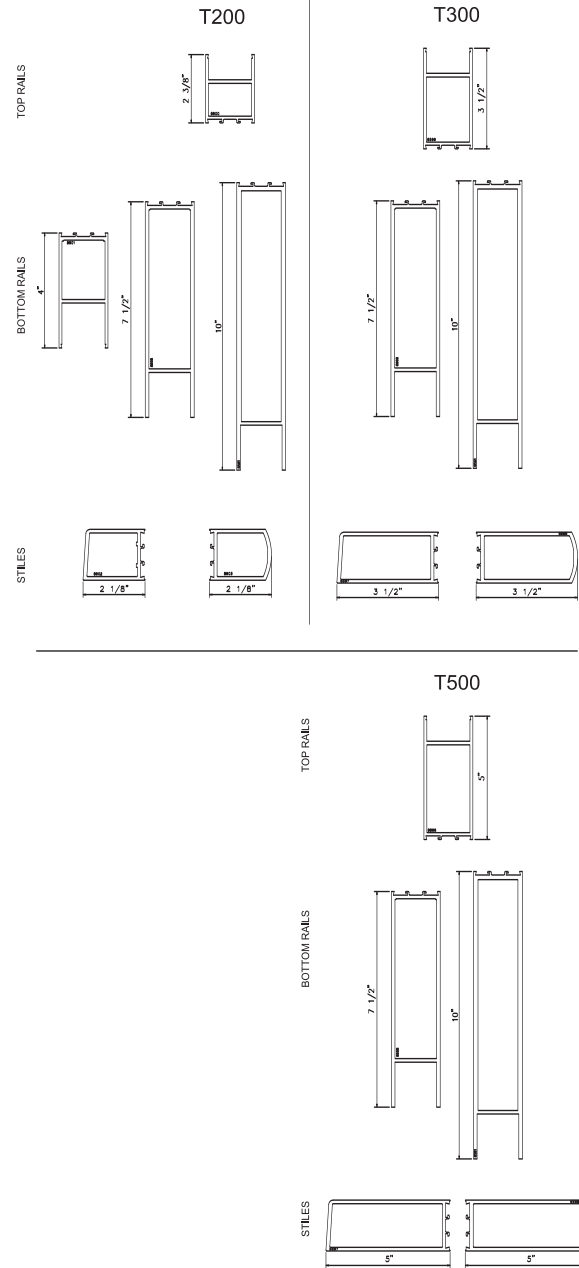
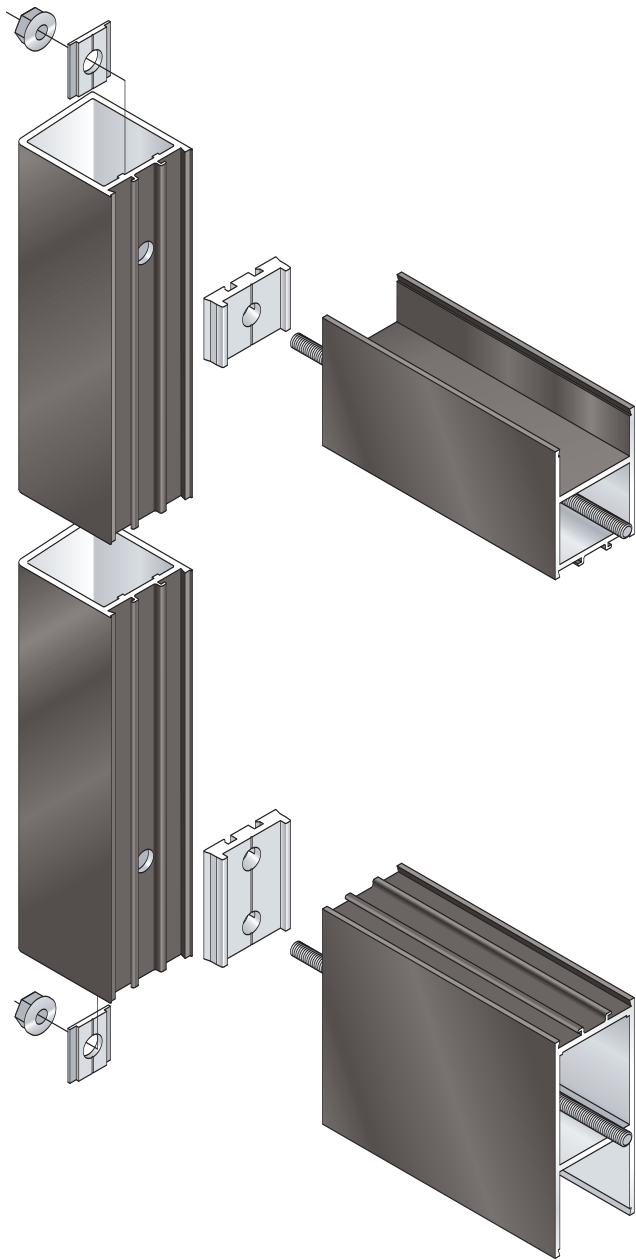
Features

Benefits

Two standard sizes	Standard sizes may be altered in width or height in the field for unusual size requirements
Available KD from EFCO Service Centers, blank with no hardware or preinstalled hardware in clear, bronze, and black anodized finishes	Flexibility to meet job requirements
Telescoping corner joints	Maintains cross rails in perfect alignment and positioning Enhances appearance of fit whether prefabricated or field adjusted
Corner joints are heavy concealed rail adapters, zinc-coated steel tie-rods, and serrated lock nuts	Resists loosening and rusting
Dual weather-stripped at adjustable astragal with Poly-Pile® at meeting stile (pair of doors)	Easy on-site adjustment to ensure proper weather seal
Wide range of standard hardware available	Meets most job requirements
Accommodates up to 1" glazing	Flexibility in design requirements for glazing



Series T200 Narrow Stile • Series T300 Medium Stile • T500 Wide Stile 1 3/4" Tie Rod Aluminum Swing Entrance Doors



Performance Data

T200 Narrow Stile (single door leaf)

Air Infiltration30 cfm/sf @ 1.57 psf

T300 Medium Stile (single door leaf)

Air Infiltration30 cfm/sf @ 1.56 psf

T500 Narrow Stile (single door leaf)

Air Infiltration30 cfm/sf @ 1.57 psf

A = Estimated values and/or designations
 B = Non-standard size or configuration
 C = Dual glazed
 D = 1" Insulated - 1/4" clear, 1/2" air, 1/4" clear
 E = 1" Insulated - 1/4" clear (Low Emissivity), 1/2" air, 1/4" clear
 F = 1" Insulated - 1/4" clear (Low Emissivity), 1/2" argon, 1/4" clear
 G = 1" Insulated - 1/4" clear, 1/2" air, 1/4" clear (Low Emissivity)

T200 and T300 Glazing Chart	Polycarbonate			Glass or Panel												
	3/16"	1/4"	5/16"	3/16"	1/4"	1/4"***	5/16"	7/16"	1/2"	9/16"	5/8"	3/4"	7/8"	15/16"	1"	1-1/16"
Monolithic Glass	A	A	C	A	A	A	C	C	C	C	C					
Insulated Glass														A	A	C

***-Laminated Glass Thickness
 A - Available Glazing Option
 C - Custom pressure plate, adaptor and/or gasket required - blank - N/A

Series T200 Narrow Stile • Series T300 Medium Stile • T500 Wide Stile 1 3/4" Tie Rod Aluminum Swing Entrance Doors



Door Construction

Door rails and stiles have a depth of 1 3/4" and are constructed of 6063-T6 aluminum alloy. Door sections shall have .100" nominal wall thickness at top rails and .125" nominal wall thickness at door stiles and bottom rails. Corner construction utilizes a dovetail joint with fasteners consisting of heavy concealed rail adaptors and zinc-coated steel tie-rods with serrated lock units. See Illustration 1.

Hardware

EFCO Tie-Rod doors accommodate the following hardware: Offset pivots or butt hinges, Adams Rite 1850 M.S. dead lock, pre-engineered push/pull, and surface mounted or concealed overhead closers. Doors are available in prefabricated hardware packages with hardware preinstalled at EFCO to ensure fit and reliability, or doors can be ordered blank.

Size Limitations

Door sizes available for all door packages include:

3' 0" x 7' 0"

3' 6" x 7' 0"

4' 0" x 7' 0"

3' 0" x 8' 0"

3' 6" x 8' 0"

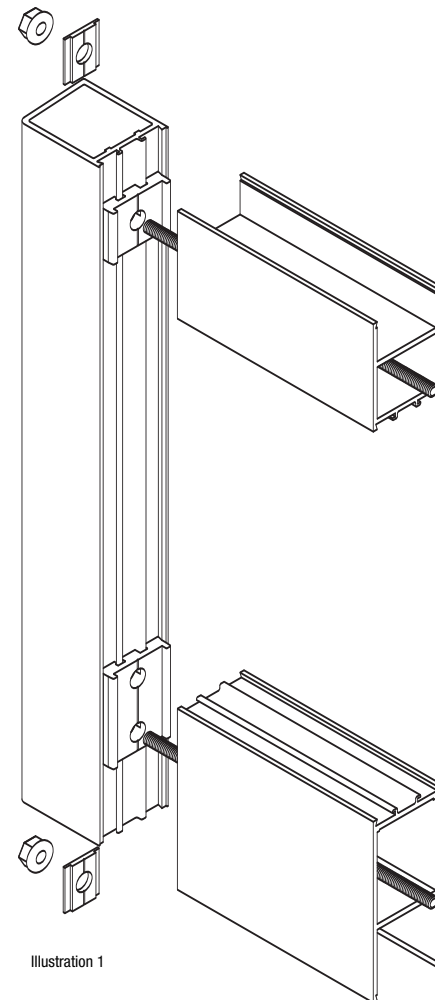
4' 0" x 8' 0"

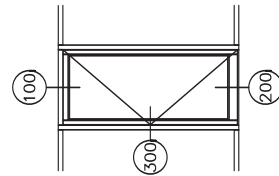
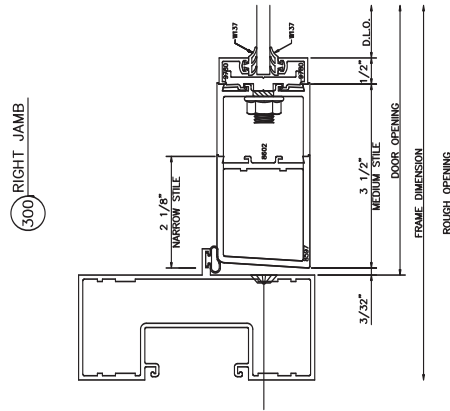
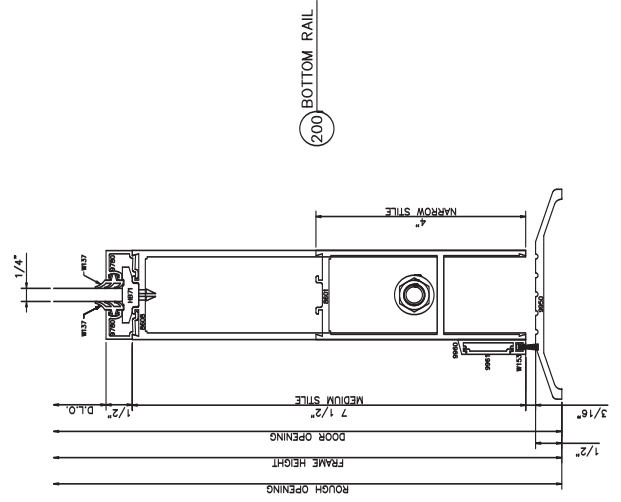
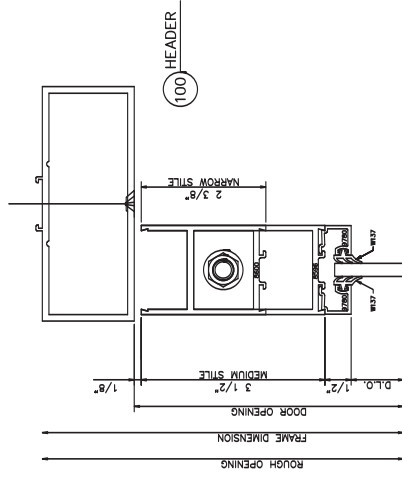
Weather Stripping

Single doors are weather-stripped at the frame with ASTM E2203 Compliant bulb gasket and extruded door stops which are available in integral, snap-in, and surface mounted varieties. See frame section. All pairs of doors are dual weather-stripped at the astragal with Poly-Pile.

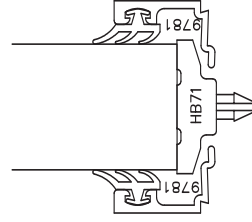
Glazing

Doors are glazed with extruded aluminum, pressure fitting glass stops. Glazing of 3/16" to 1 1/16" insulated units are available. See Glazing chart for exact size.

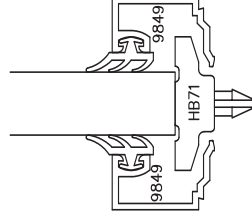




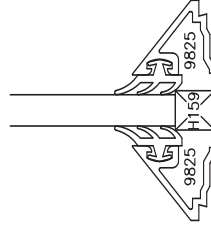
1" GLAZING



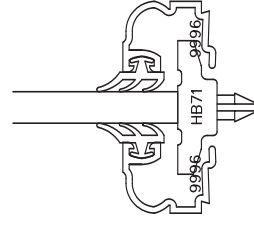
1/2" GLAZING



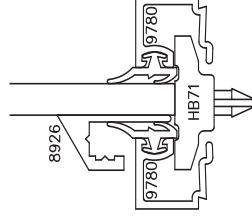
1/4" GLAZING



1/4" GLAZING



1/4" GLAZING WITH EXTERIOR GRID



1/4" GLAZING WITH EXTERIOR AND INTERIOR GRID

