

Series 403-I

2 1/4" x 4 1/2" Thermal Storefront Framing



CONFIGURATIONS

Shear Block • Screw Spline

Series 403-I is a thermally broken storefront framing system that utilizes EFCO's E-Strut™ thermal isolators. These thermal isolators provide outstanding thermal performance and allow dual finish capability. 403-I is compatible with Thermafile™ doors. This system is designed with two fabrication and erection options, providing even greater versatility.

Features

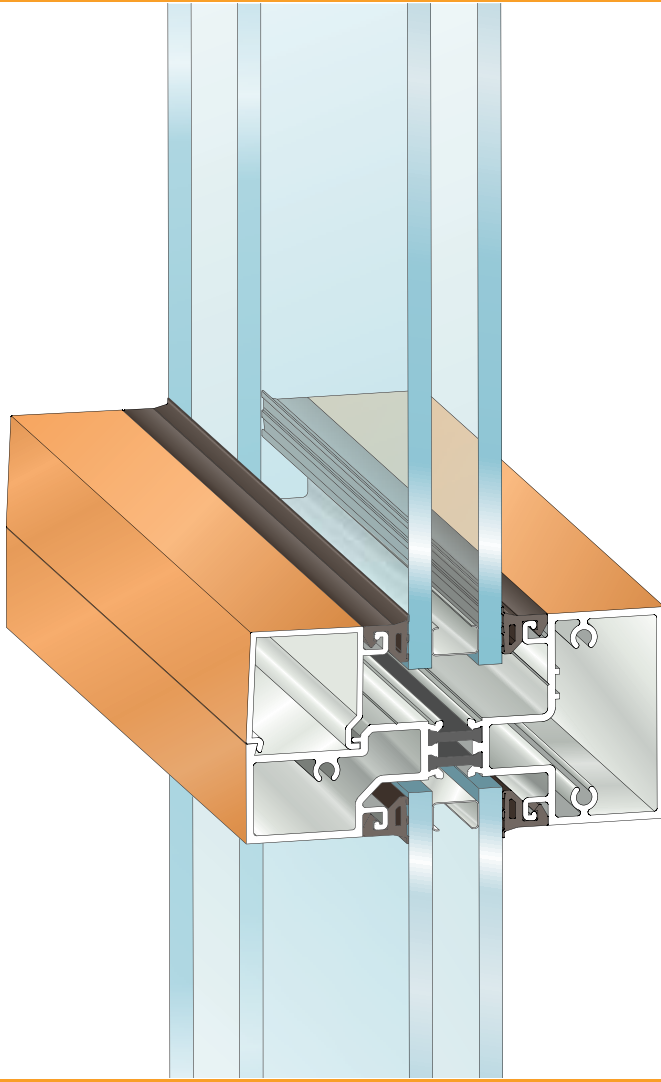
Benefits

E-Strut™ thermal isolator	Improves U-Value performance Dual finish capability Completely eliminates dry shrinkage
Screw spline construction	Allows assembly of sections prior to installation Decreases installation time
Shear block construction 135° inside and outside corners	Ability to erect on the job site Multifaceted elevations Design flexibility
Uniform glazing gasket is used for exterior and interior	Allows optimized use of gasket Simplifies ordering and installation
Door frame members use thermal struts as a thermal break	Dual finish capability
Threshold uses thermal struts as thermal break	System thermal barrier is continuous
Horizontal stacking members	Increases configuration options
Various height intermediate horizontals and sills	Ability to maintain desired sight line
Accommodates up to 1 1/16" glazing	Expands design and energy savings options
Accessory options include subframe, mullions, perimeter adaptors, etc.	Increased product versatility
Anodized or painted finishes available	Multiple options to answer economic and aesthetic concerns

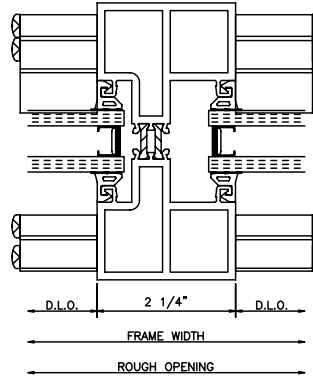


Series 403-I

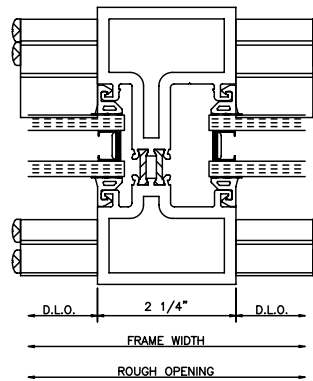
2 1/4" x 4 1/2" Thermal Storefront Framing



VERTICAL



HEAVY DUTY VERTICAL



PERFORMANCE DATA

SYSTEM 403-I STOREFRONT SCREW SPLINE FRAMING

AIR INFILTRATION	<.06 CFM/SF @ 6.24 PSF
WATER	NO LEAKAGE @ 12.0 PSF
STRUCTURAL	visit MyEFCO at www.efcocorp.com
CRF-FRAME (1503-1)	61 ^D
CRF-GLASS (1503.1)	59 ^{A, D}
U-VALUE (1503.1)	64 ^D

SYSTEM 403-I STOREFRONT SHEAR BLOCK FRAMING

AIR INFILTRATION	<.06 CFM/SF @ 6.24 PSF
WATER	NO LEAKAGE @ 12.0 PSF
STRUCTURAL	visit MyEFCO at www.efcocorp.com
CRF-FRAME (1503.1)	61 ^{A, D}
CRF-GLASS (1503.1)	59 ^{A, D}
U-VALUE (1503.1)	64 ^{A, D}

A = Estimated values and/or designations
B = Non-standard size or configuration
C = Dual glazed
D = 1" Insulated - 1/4" clear, 1/2" air, 1/4" clear
E = 1" Insulated - 1/4" clear (Low Emissivity), 1/2" air, 1/4" clear
F = 1" Insulated - 1/4" clear (Low Emissivity), 1/2" argon, 1/4" clear
G = 1" Insulated - 1/4" clear, 1/2" air, 1/4" clear (Low Emissivity)

GLAZING

SYSTEM 403-I CAN BE INSIDE OR OUTSIDE GLAZED WITH EXTRUDED ALUMINUM, SNAP-IN GLAZING BEAD. GLASS IS "DRY GLAZED" WITH TOP LOAD GASKET. GLAZINGS OF 3/16" TO 1-1/16" INFILL PANELS ARE ACCOMMODATED. SEE GLAZING CHART BELOW FOR EXACT SIZE.

SYSTEM 403-I GLAZING CHART	POLYCARBONATE			GLASS OR PANEL													
	3/16"	1/4"	5/16"	3/16"	1/4"	1/4"***	5/16"	7/16"	1/2"	9/16"	5/8"	3/4"	7/8"	15/16"	1"	1-1/16"	
MONOLITHIC GLASS	C	C	C	C	C	C	C										
INSULATED GLASS													C		C	A	C

*-Obscure glass thickness
**-Laminated glass thickness

A-Available glazing option
C-Adaptor and/or gasket required
Blank - N/A



Series 403-I 2 1/4" x 4 1/2" Thermal Storefront Framing

Frame Construction

The frames have a sightline of 2 1/4" and a depth of 4 1/2", the nominal material wall thickness is .080". Members are extruded 6063-T6 aluminum alloy. Corner construction employs screw spline or shear block method. See Illustration 1 & 2.

Door Frames

System 403-I offers integral entrance frames as a part of the entrance framing system. Members are nominally .080" in thickness.

Weather Stripping

All entrance frames are weather-stripped with bulb gasket.

Thermal Barrier

All frames are thermally broken with two thermal struts consisting of glass reinforced polyamide nylon, mechanically crimped in raceways extruded in the exterior and interior extrusions.

Glazing

System 403-I can be inside or outside glazed with extruded aluminum, snap-in glazing bead. Glass is "dry glazed" with top load gasket. Glazings of 3/16" to 1 1/16" infill panels are accommodated. See Glazing Chart for exact size.

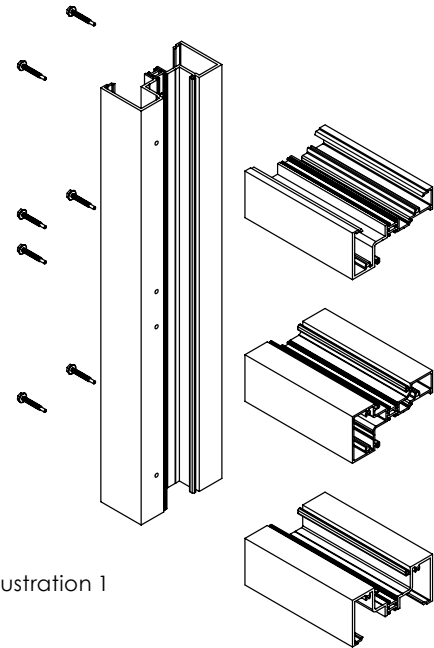


Illustration 1

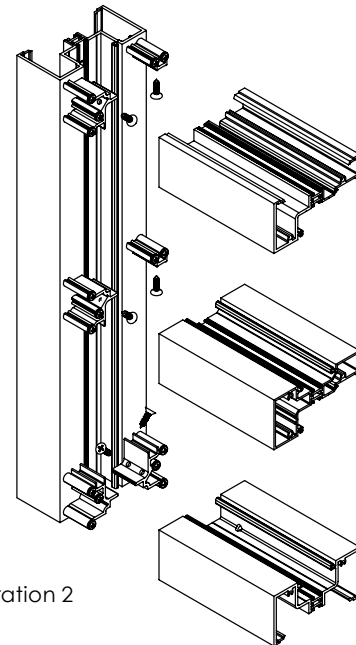
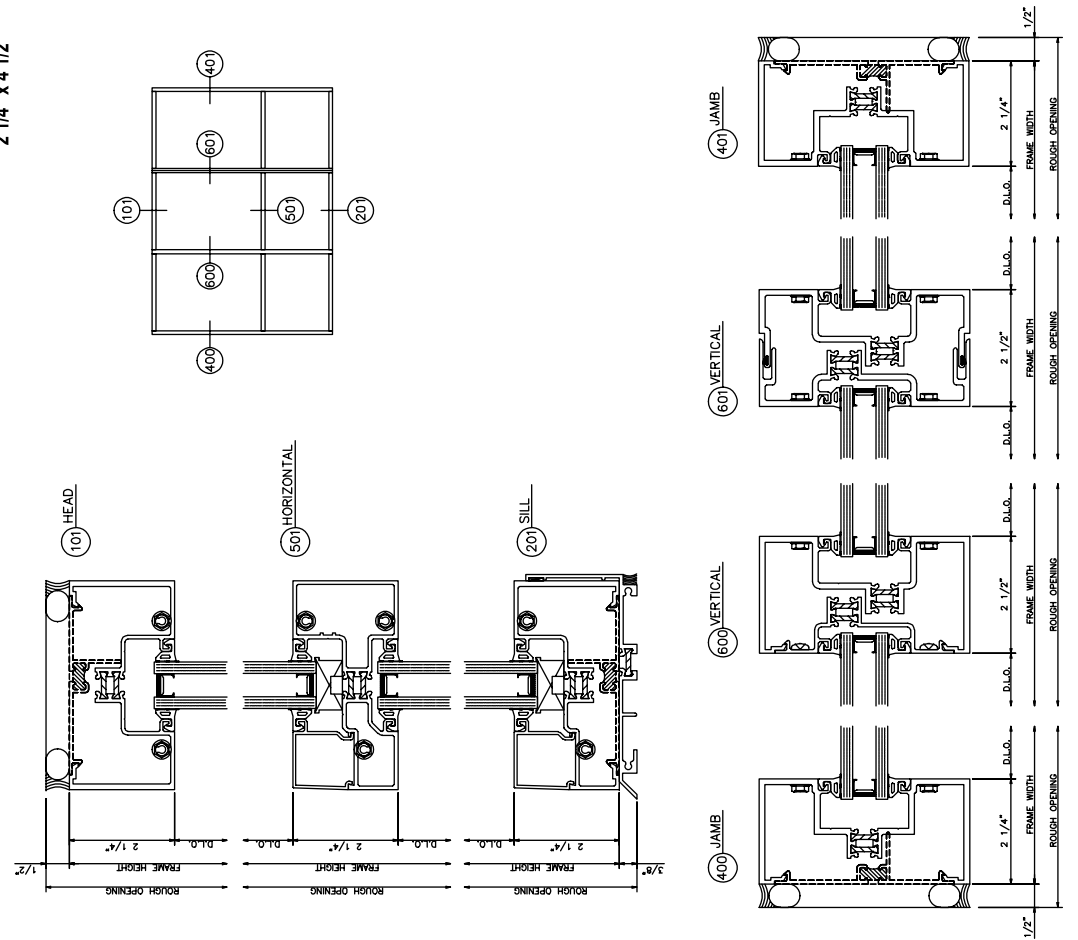


Illustration 2



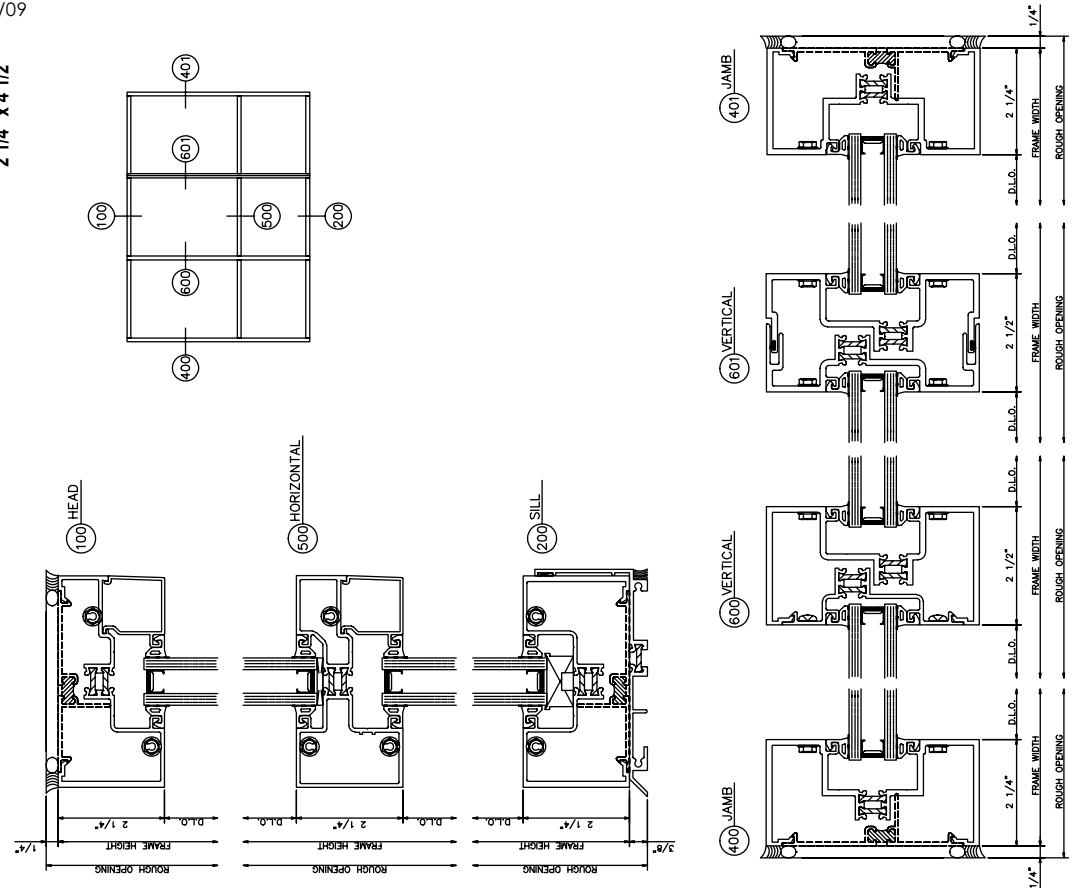
403-I Screw Spline Outside Glazed

2 1/4" x 4 1/2"

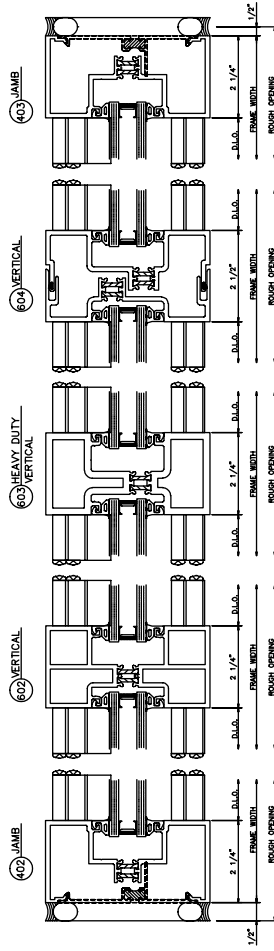
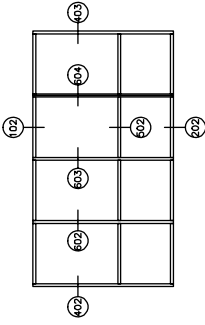
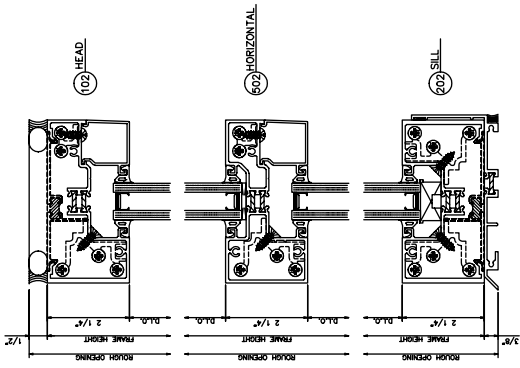


403-I Screw Spline Inside Glazed

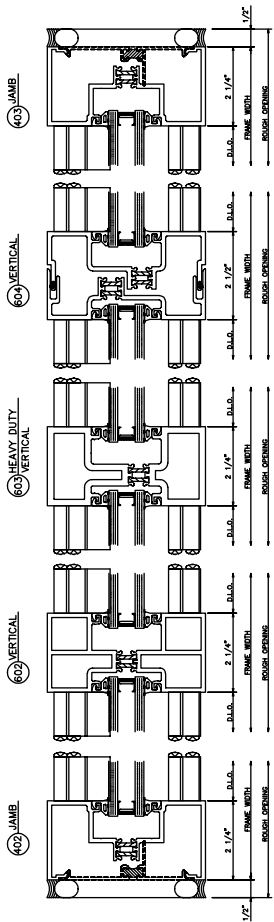
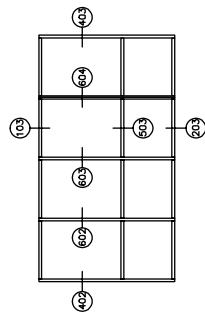
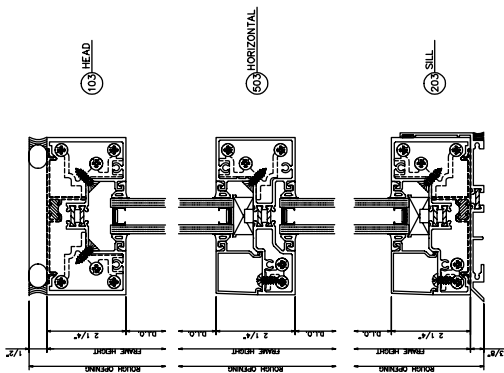
2 1/4" x 4 1/2"

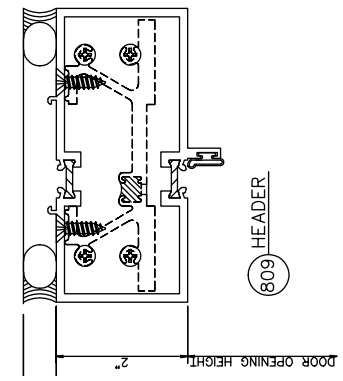
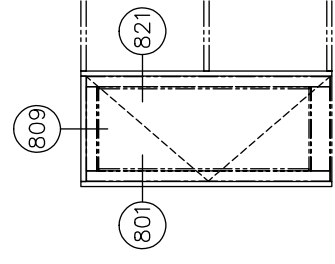
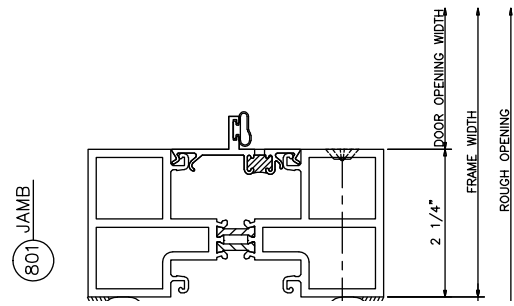
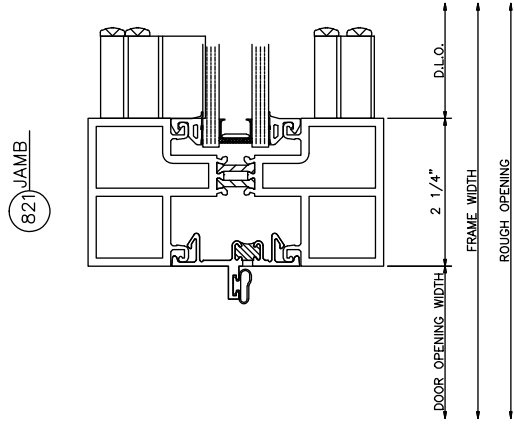
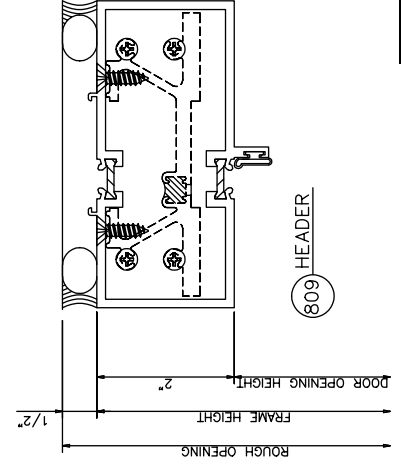
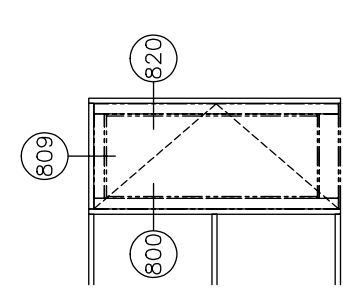
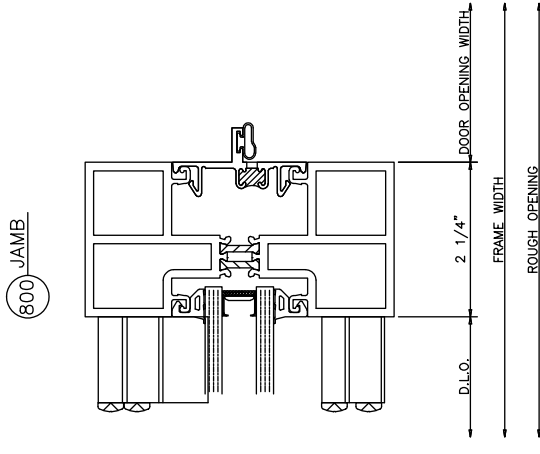
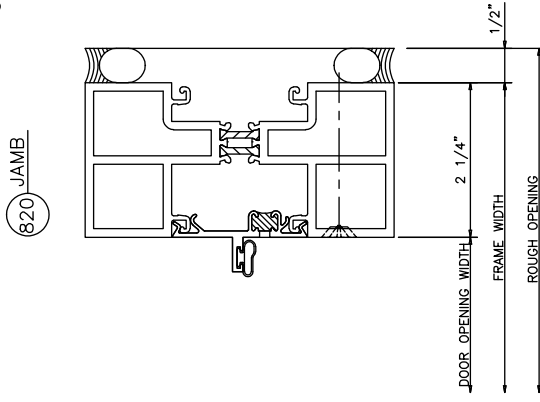


403-I Shear Block Inside Glazed
2 1/4" x 4 1/2"



403-I Shear Block Outside Glazed
2 1/4" x 4 1/2"





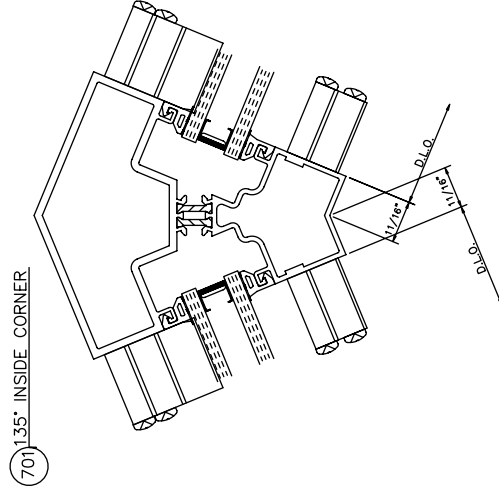
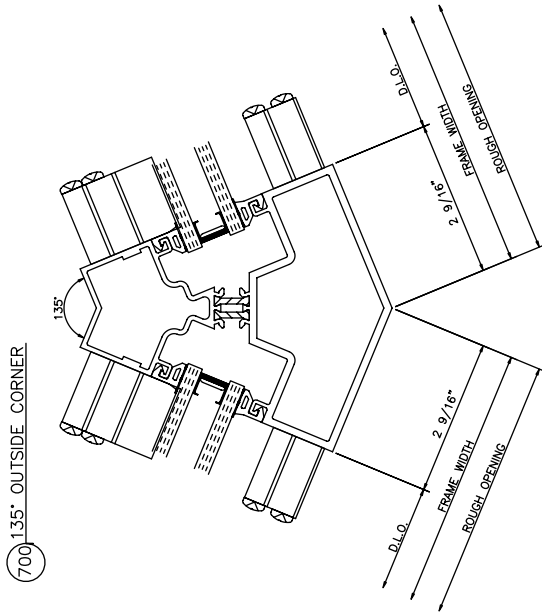
403-I Door Frames Outside Glazed

Single Acting • Right Swing

403-I Door Frames Outside Glazed

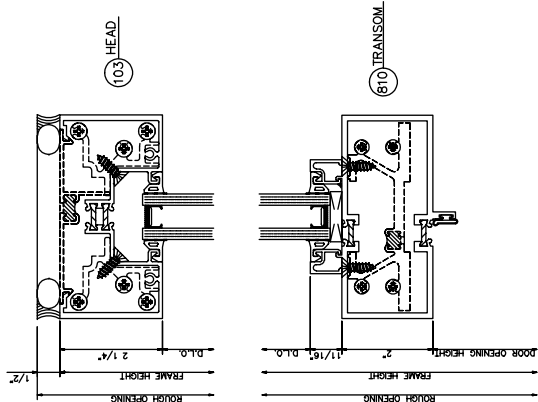
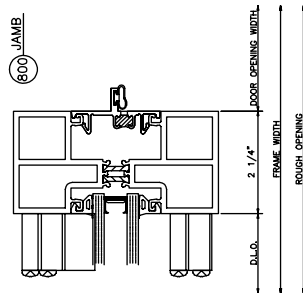
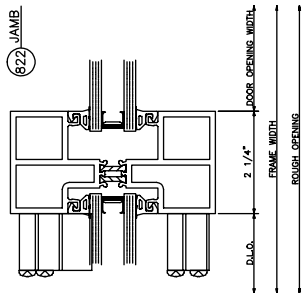
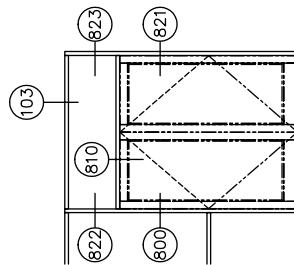
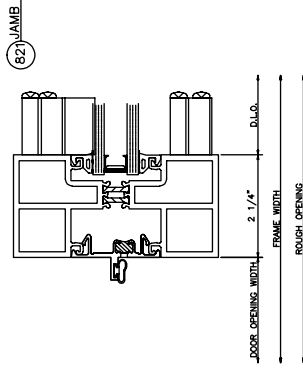
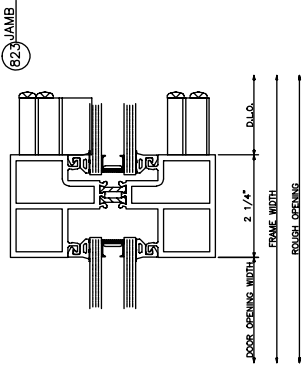
Single Acting • Left Swing

403-I Corners

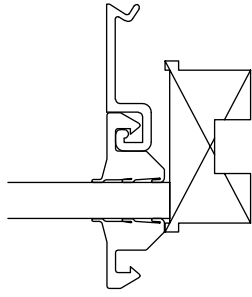


403-I Double Door Frames Outside Glazed

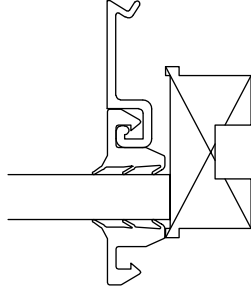
Single Acting • Left & Right Swing



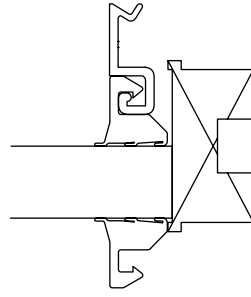
1/4" GLAZING



5/16" GLAZING



1/2" GLAZING



9/16" GLAZING

