

Series T350 • Series T400 • Series T450 2 1/4" Terrastile™ Entrance Doors



CONFIGURATIONS

Single leaf - Inswing or Outswing • Pair - Outswing

You can find a combination of beautiful style and durability in this quality terrace door. EFCO Terrastile doors are ideal for high rise residential, condominiums and hotels, and are designed for ease of operation without compromising security and performance. Also, the E-Strut™ thermal isolators in the stile rails and frame allow dual finish capability.

Features

Four fully adjustable custom aluminum extruded hinges on each door leaf

Available as single door or pair, with out-swing or in-swing motion

Mitered corner construction on each door leaf and multipoint locking hardware (300 Series stainless steel)

E-Strut™ thermal isolator

Solid brass forged handles and face plates available in various finishes

Stainless steel hardware is available

Accommodates up to 1" glazing

Anodized and painted finishes available

Benefits

Smooth door motion

Easy to operate

Improves durability in applications such as hotels and condominiums

Accommodates multiple design options

Exceptional durability for high-quality applications

Dual finish capability

Improved thermal performance

Options to address aesthetic concerns

Dependable hardware operation

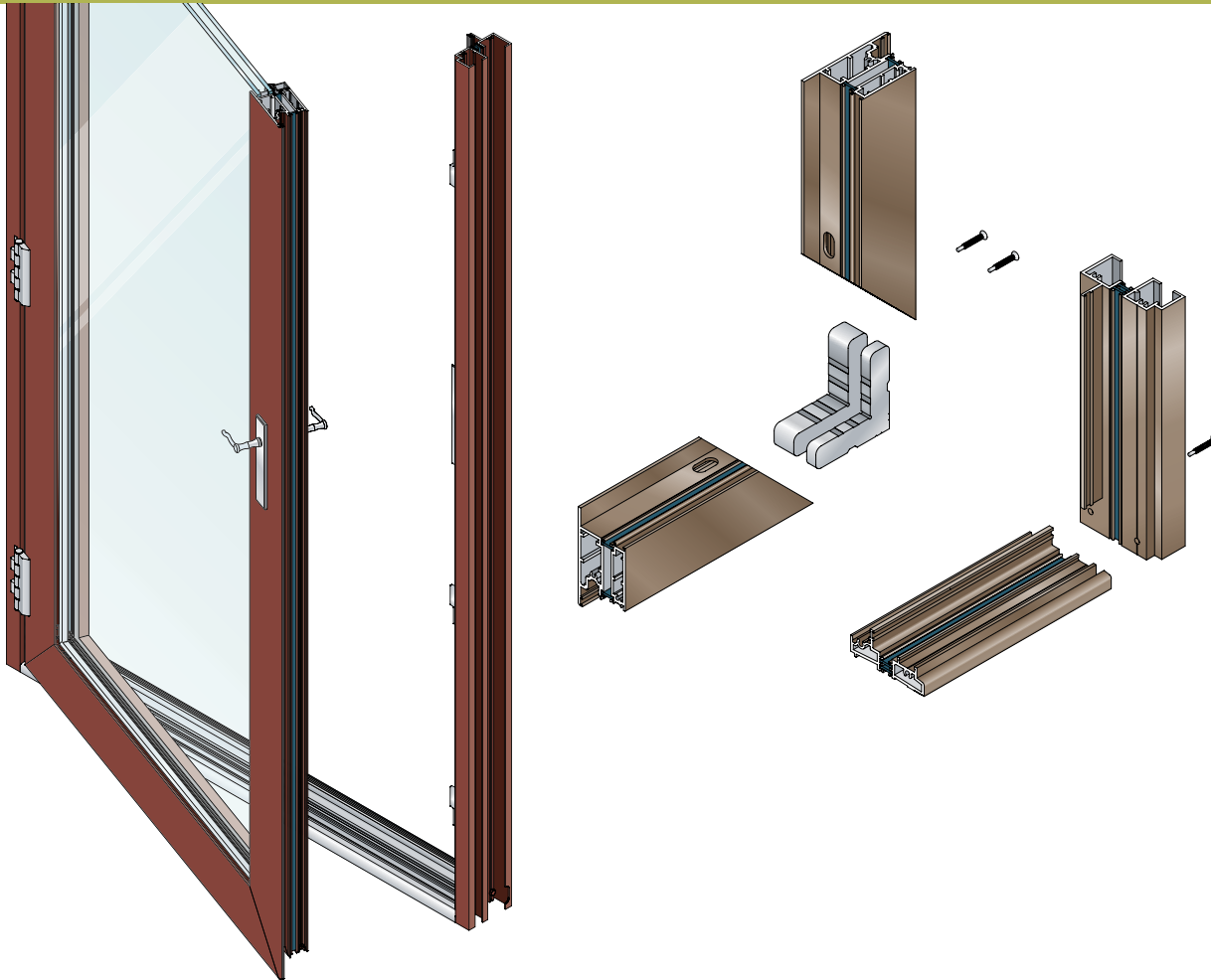
Provides excellent resistance to corrosion abrasion and scratches

Flexibility in design requirements for glazing

Multiple options to answer economic and aesthetic concerns



Series T350 • Series T400 • Series T450 2 1/4" Terrastile™ Entrance Doors



PERFORMANCE DATA

SINGLE OUTSWING DOOR

AAMA RATING (NAFS-02)	HGD-HC55
AIR INFILTRATION	<.10 CFM/SF @ 6.24 PSF
WATER	NO LEAKAGE @ 15.0 PSF
STRUCTURAL	±82.5 PSF
CRF FRAME (1503.1)	.59 ^{A, E}
CRF GLASS (1503.1)	.61 ^E

SINGLE INSWING DOOR

AAMA RATING (101-97)	HGD-HC40 ^A
AIR INFILTRATION	<.10 CFM/SF @ 6.24A PSF
WATER	NO LEAKAGE @ 6.0A PSF
STRUCTURAL	±60.0A PSF
CRF FRAME (1503.1)	.59 ^{A, E}
CRF GLASS (1503.1)	.61 ^{A, E}

A = Estimated values and/or designations
 B = Non-standard size or configuration
 C = Dual glazed
 D = 1" Insulated - 1/4" clear, 1/2" air, 1/4" clear
 E = 1" Insulated - 1/4" clear (Low Emissivity), 1/2" air, 1/4" clear
 F = 1" Insulated - 1/4" clear (Low Emissivity), 1/2" argon, 1/4" clear
 G = 1" Insulated - 1/4" clear, 1/2" air, 1/4" clear (Low Emissivity)

PAIR OF OUTSWING DOORS

AAMA RATING (101-97)	HGD-HC40
AIR INFILTRATION	<.10 CFM/SF @ 6.24 PSF
WATER	NO LEAKAGE @ 8.0 PSF
STRUCTURAL	±60.0 PSF
CRF FRAME (1503.1)	.59 ^{A, E}
CRF GLASS (1503.1)	.61 ^{A, E}

T350I THERMAL U-FACTORS*		
CENTER OF GLASS U-FACTOR	CONFIGURATION AND SIZE	
	SINGLE** 38" X 79"	SINGLE 42" X 96"
0.48	0.60	0.58
0.34	0.51	0.50
0.28	0.48	0.46
0.24	0.45	0.43
0.20	0.43	0.41

*Based on NFRC 100
 **NFRC Gateway size

T350, T400, T450 GLAZING CHART	POLYCARBONATE			GLASS OR PANEL												
	3/16"	1/4"	5/16"	3/16"	1/4"	1/4"***	5/16"	7/16"	1/2"	9/16"	5/8"	3/4"	7/8"	15/16"	1"	1-1/16"
MONOLITHIC & INSULATED GLASS															A	

*-Obscure Glass Thickness
 ***-Laminated Glass Thickness
 A-Available Glazing Option
 Blank - N/A



Series T350 • Series T400 • Series T450 2 1/4" Terrastile™ Entrance Doors

Frame Construction

The frame is constructed from .125" nominal material wall thickness aluminum of 6063-T6 alloy with a depth of 3 1/2", 4", or 4 1/2". An equal leg frame is standard. Corners are of screw spline construction and back sealed with a small-joint seam sealer. See Illustration 1.

Door Leaf Construction

The 2 1/4" deep vent consists of tubular aluminum members with .125" nominal material wall thickness of 6063-T6 alloy. Door leaf corners are mitered, angle reinforced, crimped, cold epoxy welded, and back sealed with a small-joint seam sealer. See Illustration 2.

Weather Stripping

All door leaves are dual weather-stripped with a dual-durometer Santoprene® gasket. The exterior gasket is intentionally omitted at the door leaf bottom rail for outswing door leaves and at the vent top rail for inswing door leaves, allowing air to pressure equalize the void between the door leaf and frame. Each door leaf utilizes the pressure equalization technique for superior water resistance.

Thermal Barrier

All frames and door leaves are thermally isolated with two thermal struts consisting of glass reinforced polyamide nylon, mechanically crimped in raceways extruded in the exterior and interior extrusions. See Illustration 3.

Hardware

Three types of hardware styles and several color variations of activation handles are offered. Lock sets come in half sets with thumb turn inside, no lock outside, or full sets with thumb turn inside, key lock outside. All entrances use non-magnetic stainless steel multi-point locking hardware for greater design pressures and added security.

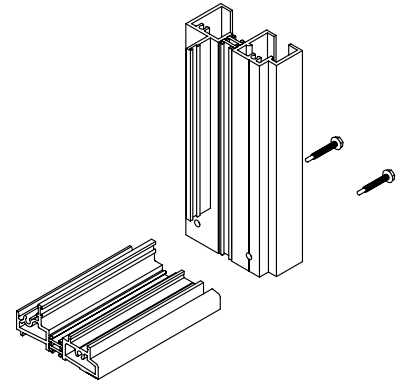


Illustration 1

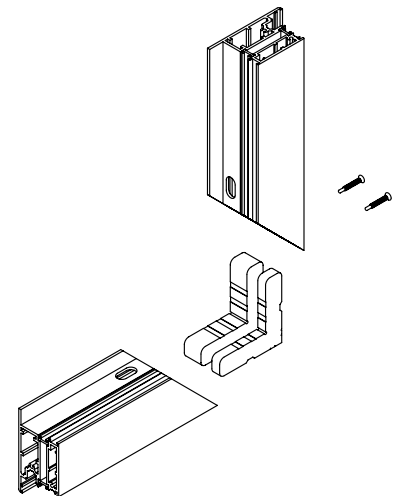


Illustration 2

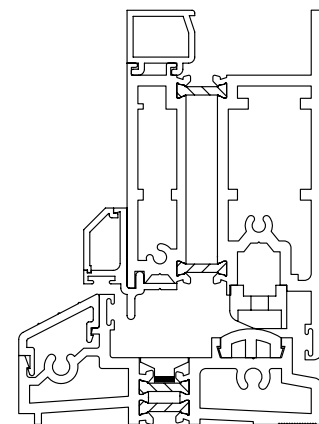
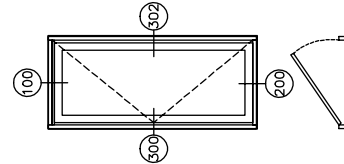
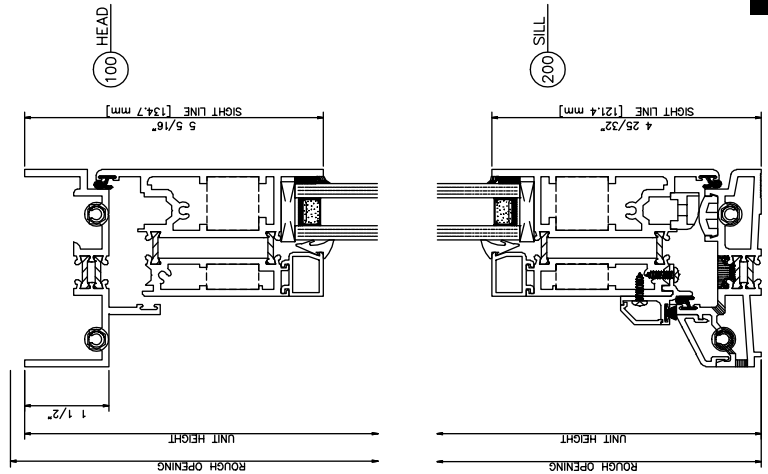
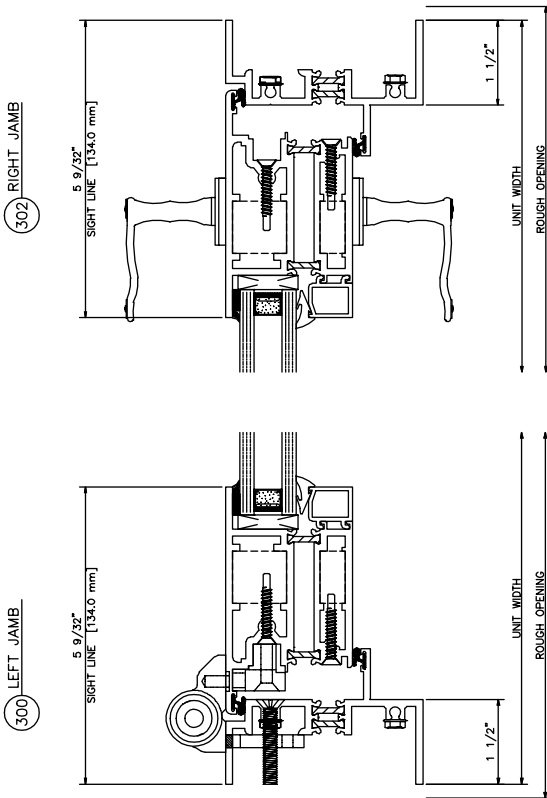
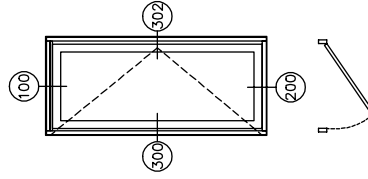
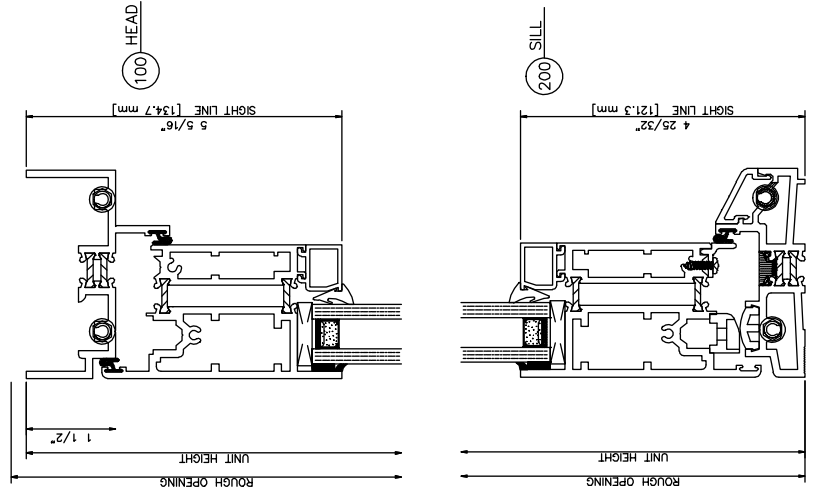
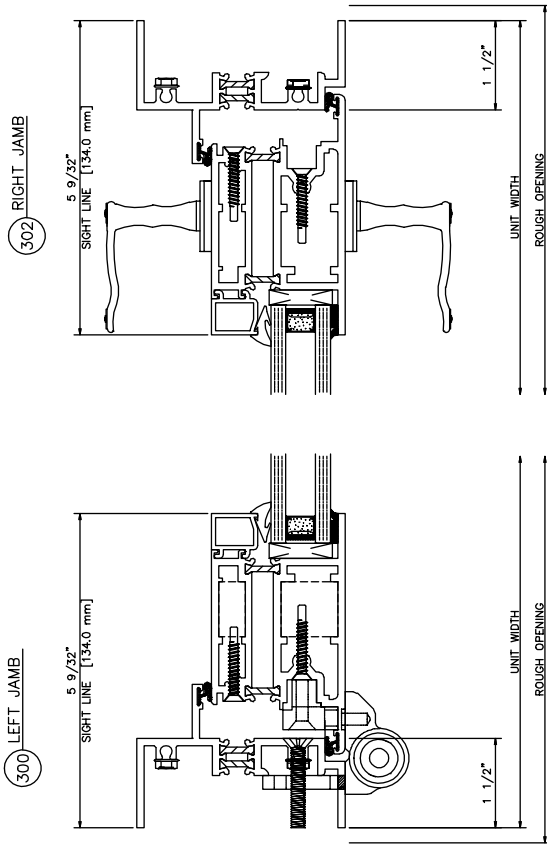


Illustration 3





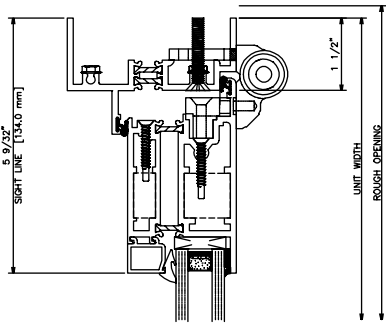
T350 Outswing
Butt Hinges • Multipoint Rolling Cam Locks

T350 Inswing
Butt Hinges • Multipoint Rolling Cam Locks

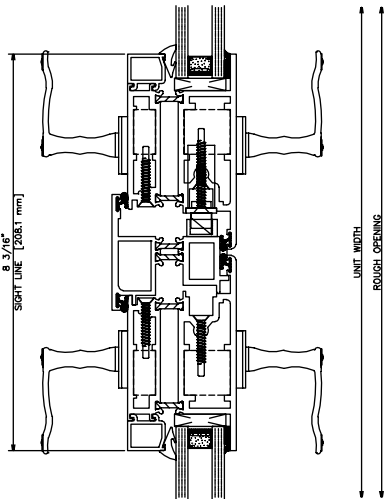
T350 Door Pair Outswinging

Butt Hinges • Multipoint Rolling Cam Locks

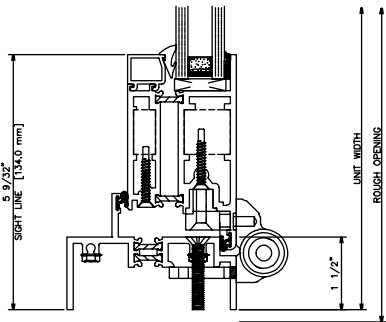
300 RIGHT JAMB



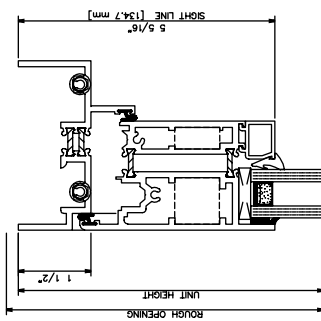
400 MEETING RAIL



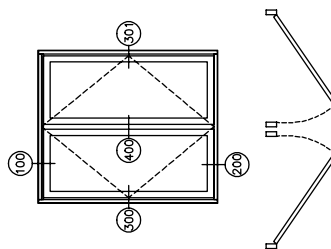
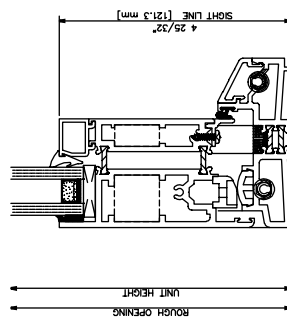
500 LEFT JAMB



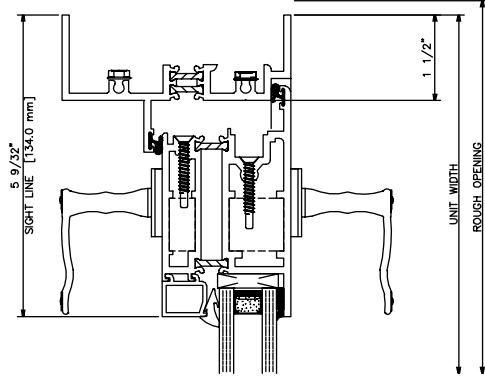
100 HEAD



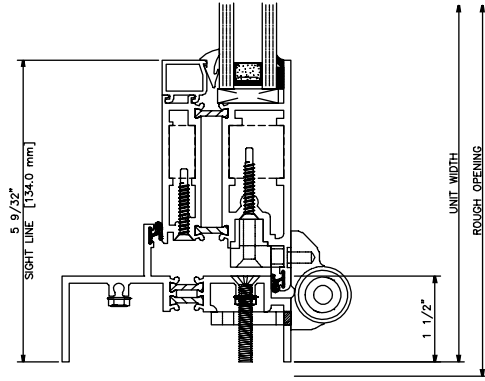
200 SILL



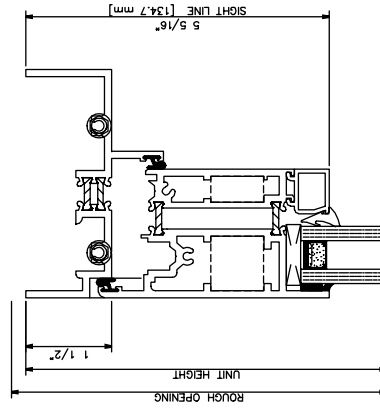
302 RIGHT JAMB



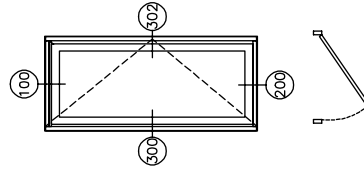
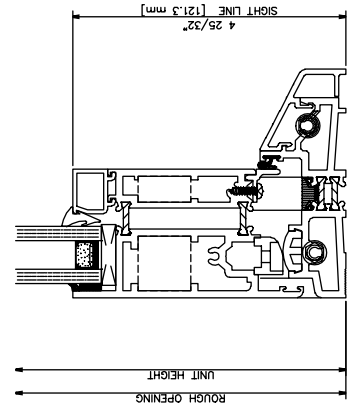
300 LEFT JAMB



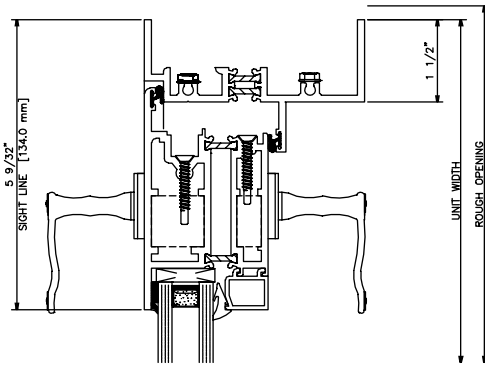
100 HEAD



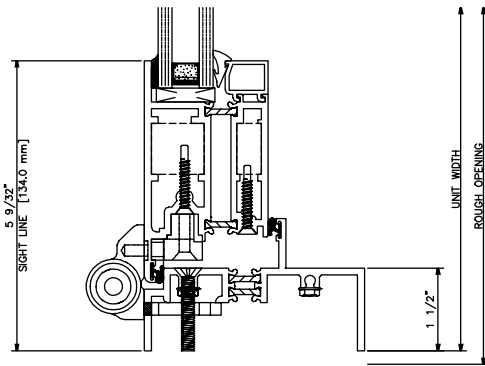
200 SILL



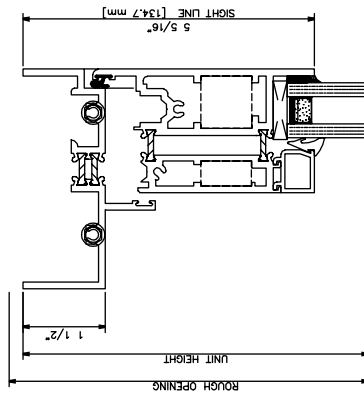
302 RIGHT JAMB



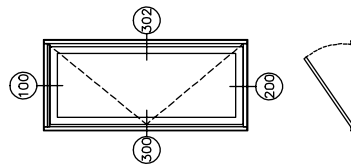
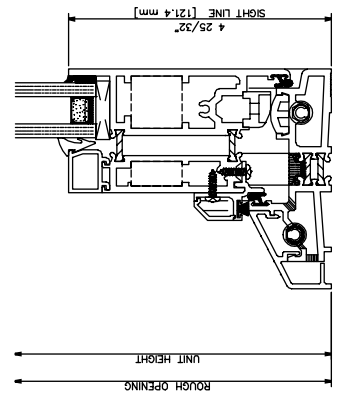
300 LEFT JAMB



100 HEAD



200 SILL



T400 Inswing

Butt Hinges • Multipoint Rolling Cam Locks

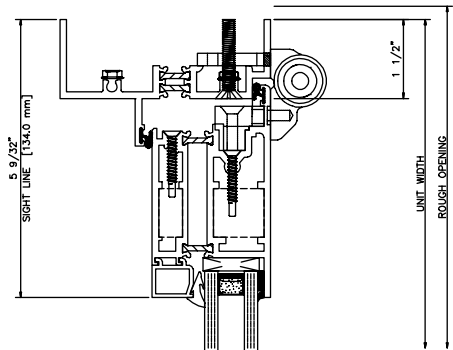
T400 Outswing

Butt Hinges • Multipoint Rolling Cam Locks

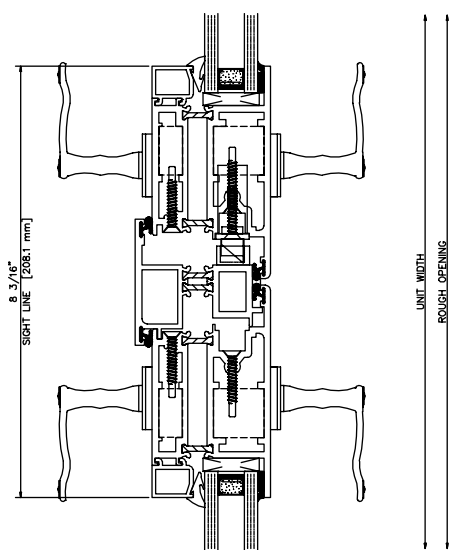
T400 Door Pair Outswinging

Butt Hinges • Multipoint Rolling Cam Locks

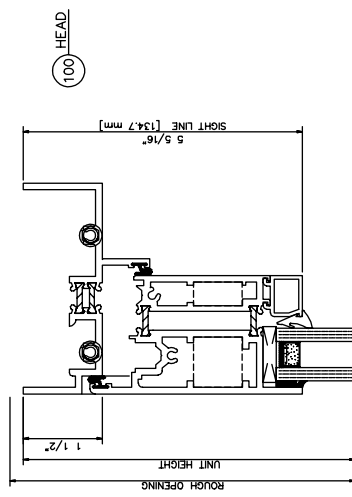
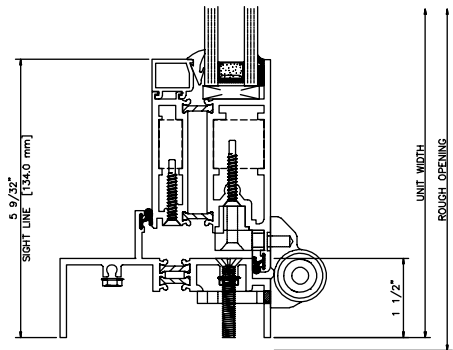
301 RIGHT JAMB



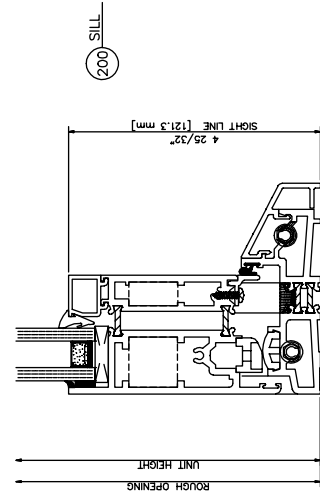
400 MEETING RAIL



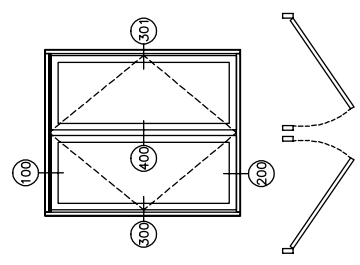
300 LEFT JAMB

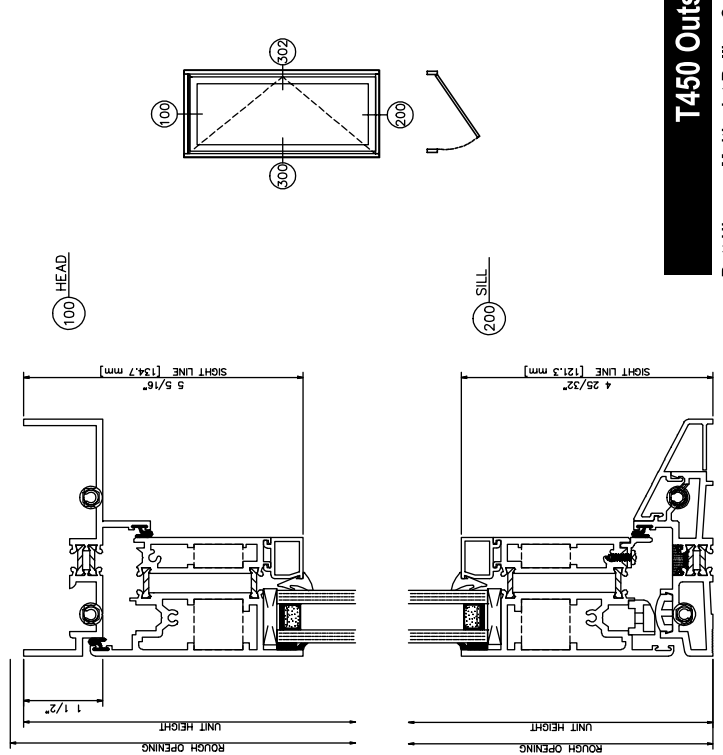
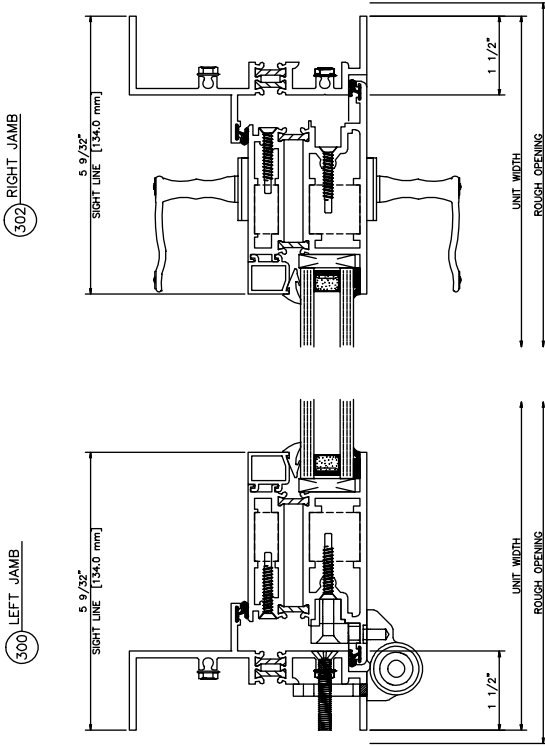


100 HEAD



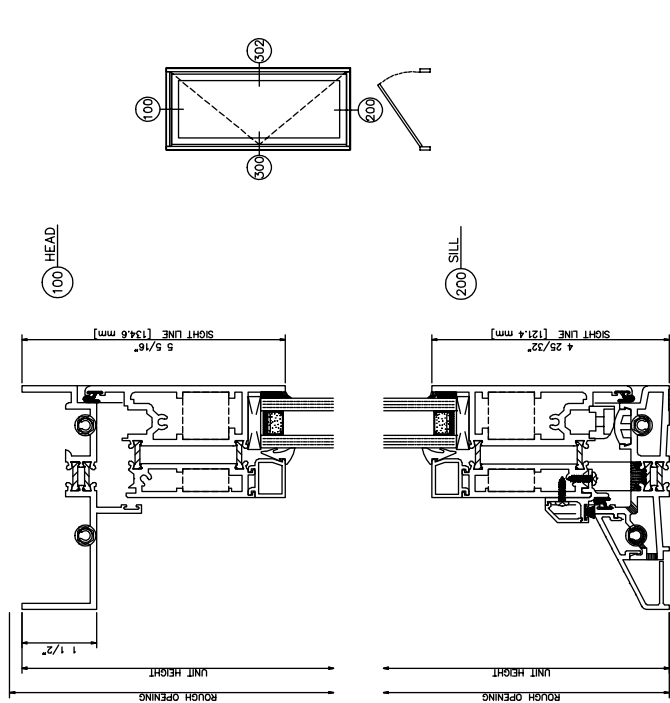
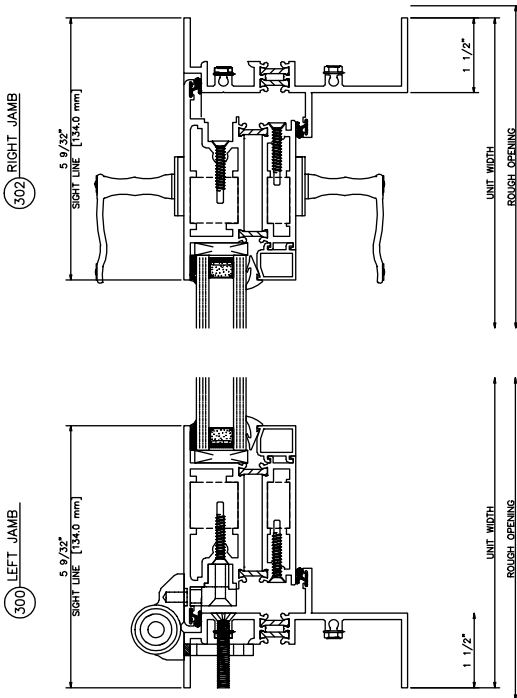
200 SILL





T450 Outswing

Butt Hinges • Multipoint Rolling Cam Locks

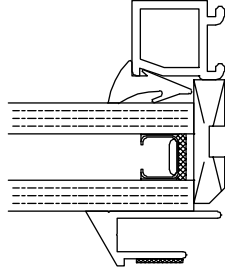


T450 Inswing

Butt Hinges • Multipoint Rolling Cam Locks

TerraStile Glazing

7/8" GLASS WITH 11K0 PERIMETER GRID OUTSWING ONLY



T450-I Door Pair Outswing
Butt Hinges • Multipoint Rolling Cam Locks

