

# System 5500

## 2 1/4" Curtain Wall Thermal E-Strut™ System



### CONFIGURATIONS

Outside Glazed • Inside Glazed • 2 or 4-sided Structural Silicone Glazed

The 5500 curtain wall system is designed to meet the most demanding performance specifications. System 5500 utilizes the E-Strut thermal isolator, providing outstanding thermal properties and a total composite shape for enhanced structural performance. System 5500 offers dual finish capability to meet any design finish specification.

### Features

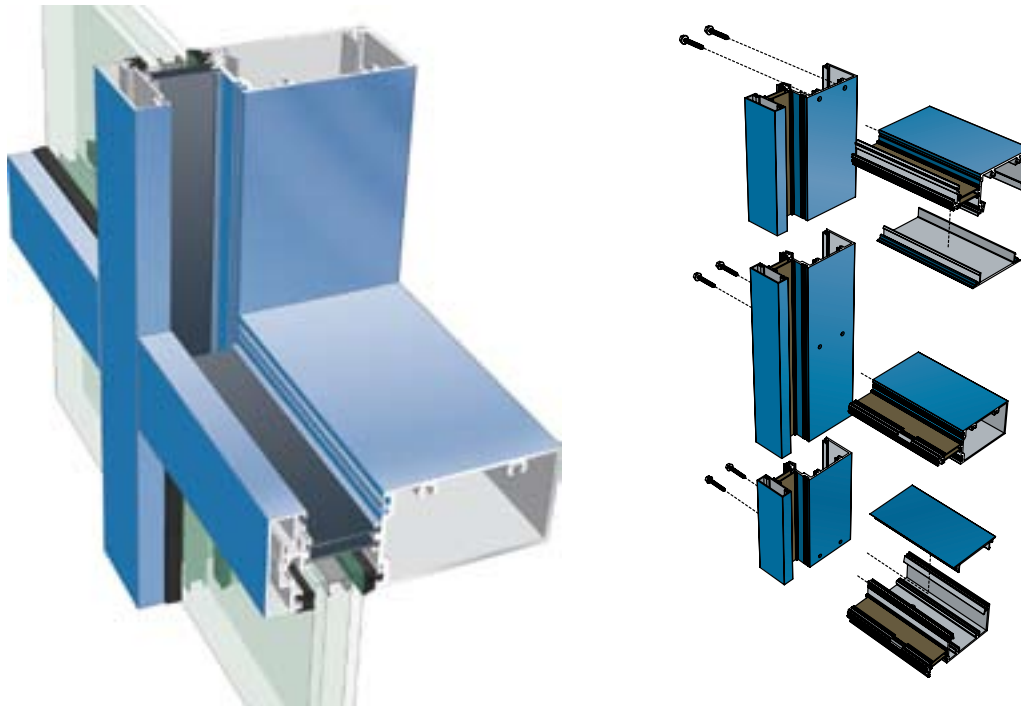
### Benefits

E-Strut™ thermal isolator	Improves U-Value performance Dual finish capability Completely eliminates dry shrinkage
Various mullion depths available	Design flexibility
Screw spline construction	Allows assembly of sections prior to installation Decreases installation time
Temporary glazing clips are not required	Field glazing is quicker
Composite mullion	Eliminates traditional screw-on pressure plate and snap on cover
Integral door adaptors	Compatible with all 1 3/4" and 2" EFCO entrances
Accommodates up to 1" glazing	Expands design and energy savings options
Splices and internal steel reinforcement	Multi-span capability
Accessory line of perimeter anchors, pocket fillers, door adaptors, etc.	Increased product versatility
Optional corner mullions	Allows 90° and 135° outside corners
Concealed vents	Ability to include ventilation while maintaining the exterior sight line
Wide variety of snap-on face covers	Customize projects with face covers of various depths and profiles
Anodized and painted finishes available	Multiple options to answer economic and aesthetic concerns



# System 5500

## 2 1/4" Curtain Wall Thermal E-Strut™ System



### PERFORMANCE DATA

#### SERIES 5500 OUTSIDE GLAZED CURTAIN WALL

AIR INFILTRATION	<.06 CFM/SF @ 6.24 PSF
WATER	NO LEAKAGE > 15.0 PSF
STRUCTURAL	visit MyEFCO at <a href="http://www.efcocorp.com">www.efcocorp.com</a>
CRF-FRAME (1503-98)	79 <sup>A, E</sup>
CRF-GLASS (1503-98)	75 <sup>A, E</sup>
STC (E 90-02)	30 <sup>F</sup>

#### SERIES 5500 INSIDE GLAZED CURTAIN WALL

AIR INFILTRATION	<.06 CFM/SF @ 6.24 PSF
WATER	NO LEAKAGE @ 15.0 PSF
STRUCTURAL	visit MyEFCO at <a href="http://www.efcocorp.com">www.efcocorp.com</a>
CRF-FRAME (1503-98)	79 <sup>A, E</sup>
CRF-GLASS (1503-98)	75 <sup>A, E</sup>
STC (E 90-02)	30 <sup>A, E</sup>

A = Estimated values and/or designations  
 B = Non-standard size or configuration  
 C = Dual glazed  
 D = 1" Insulated - 1/4" clear, 1/2" air, 1/4" clear  
 E = 1" Insulated - 1/4" clear (Low Emissivity), 1/2" air, 1/4" clear  
 F = 1" Insulated - 1/4" clear (Low Emissivity), 1/2" argon, 1/4" clear  
 G = 1" Insulated - 1/4" clear, 1/2" air, 1/4" clear (Low Emissivity)

#### SERIES 5500 STRUCTURAL GLAZED CURTAIN WALL

AIR INFILTRATION	<.06 CFM/SF @ 6.24 PSF
WATER	NO LEAKAGE > 15.0 PSF
STRUCTURAL	visit MyEFCO at <a href="http://www.efcocorp.com">www.efcocorp.com</a>
CRF-FRAME (1503-98)	79 <sup>A, E</sup>
CRF-GLASS (1503-98)	75 <sup>A, E</sup>
STC (E 90-02)	30 <sup>A, E</sup>

#### SERIES 5500 CONCEALED VENT

AIR INFILTRATION	<.06 CFM/SF @ 6.24 PSF
WATER	NO LEAKAGE > 15.0 PSF
STRUCTURAL	visit MyEFCO at <a href="http://www.efcocorp.com">www.efcocorp.com</a>
CRF-FRAME (1503-98)	57 <sup>A, E</sup>
CRF-GLASS (1503-98)	63 <sup>A, E</sup>
STC (E 90-02)	30 <sup>A, E</sup>

5500 THERMAL U-FACTORS*		
CENTER OF GLASS U-FACTOR	CONFIGURATION AND SIZE	
	FX/FX** 78 3/4" X 78 3/4"	FX/FX 120" X 120"
0.46	0.51	0.48
0.34	0.41	0.38
0.30	0.38	0.34
0.24	0.33	0.29
0.20	0.29	0.26

\* Based on NFRC 100  
 \*\*NFRC Gateway size

AVAILABLE SYSTEM DEPTHS	SYSTEM DEPTH		
	6"	7"	8"
OUTSIDE GLAZED	A	A	A
INSIDE GLAZED	A	A	A
2- AND 4-SIDED STRUCTURAL GLAZED	A	A	A

A - Available System Depth  
 Blank - N/A

S-5500 Glazing Chart	GLASS OR PANEL																
	1/8"	3/16"	1/4"	5/16"	3/8"	7/16"	1/2"	9/16"	5/8"	11/16"	3/4"	13/16"	7/8"	15/16"	1"	1-1/16"	1-1/8"
OUTSIDE GLAZED	A	A	S	A	A	A	S	A	A				A	A	S	A	A
INSIDE GLAZED	A	A	S	A	A								A	A	S	A	A
STRUCTURAL GLAZED			S	A											S	A	

\*-Obscure Glass Thickness  
 \*\*-Laminated Glass Thickness

A-Available Glazing Option  
 S-Standard Glazing  
 Blank - N/A



# System 5500

## 2 1/4" Curtain Wall Thermal E-Strut™ System

### Main Frame Construction

System 5500 curtain wall has various system depths. Sight lines are nominally 2 1/4" and present a clean, attractive appearance. Members are extruded from 6063-T6 aluminum alloy, and the nominal material wall thickness is .070" to .125". Joint construction utilizes the screw spline method. See Illustration 1.

### Thermal Barrier

System 5500 curtain wall mullions are thermally isolated with two thermal struts, consisting of hollow glass reinforced polyamide nylon, mechanically crimped in raceways that are extruded in the exterior and interior members.

### Glazing

System 5500 curtain wall can be glazed from the interior or the exterior. It is "dry glazed" with preset and drive-in EPDM gasket. System 5500 accommodates 1/4" to 1" infill panels.

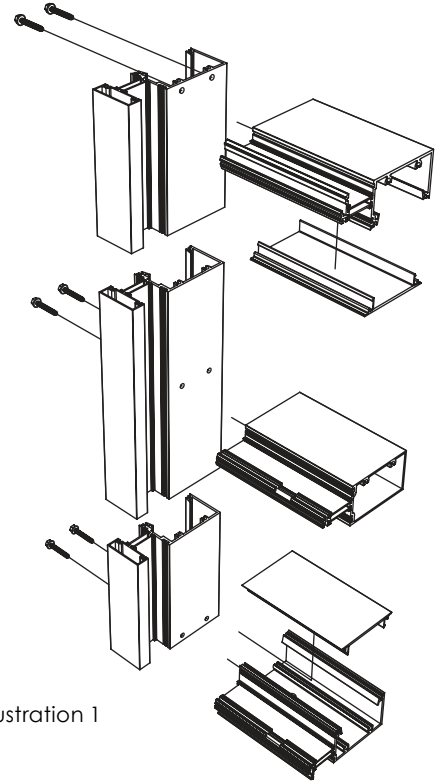
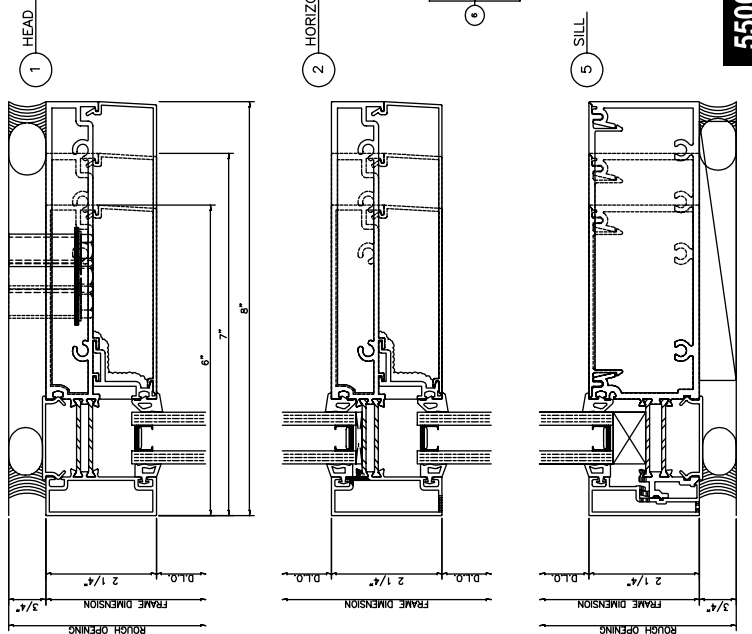
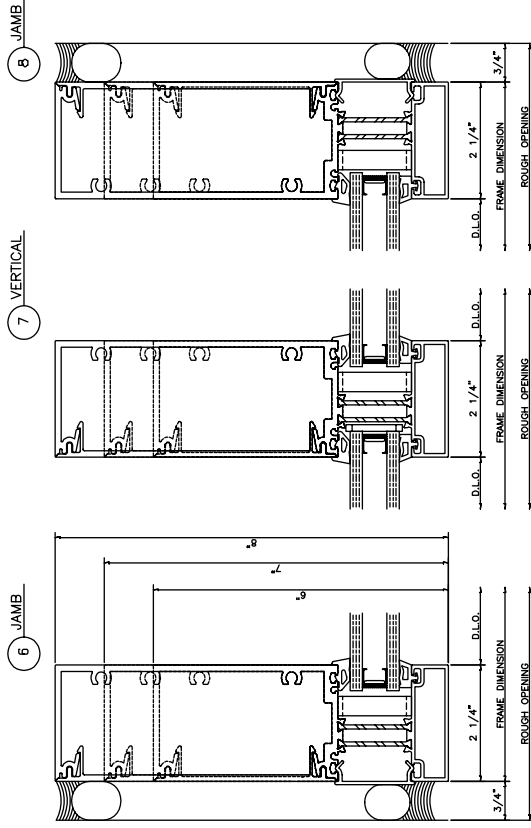


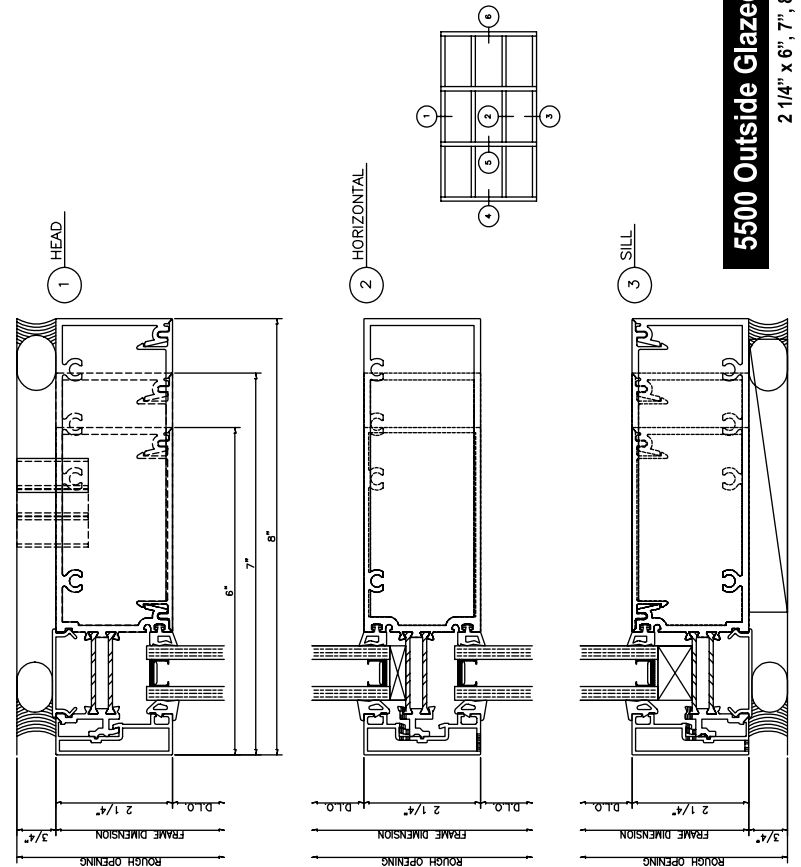
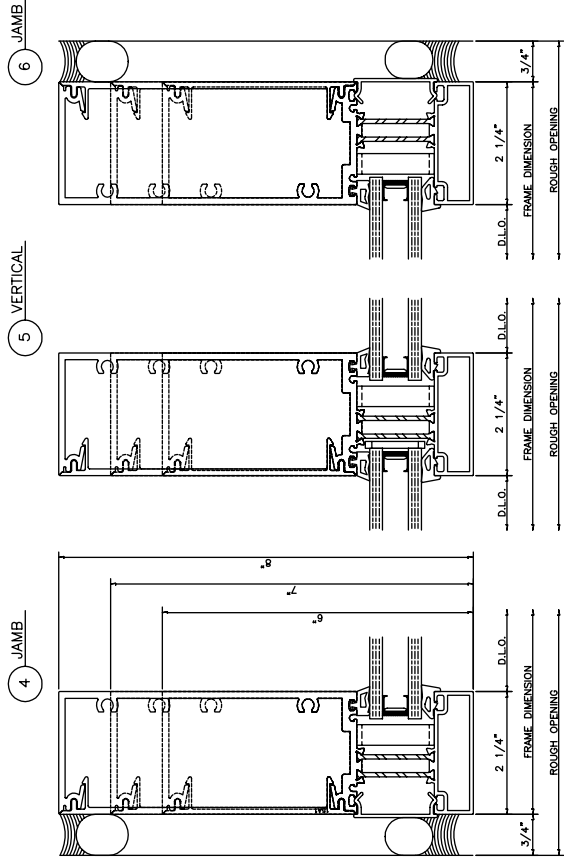
Illustration 1







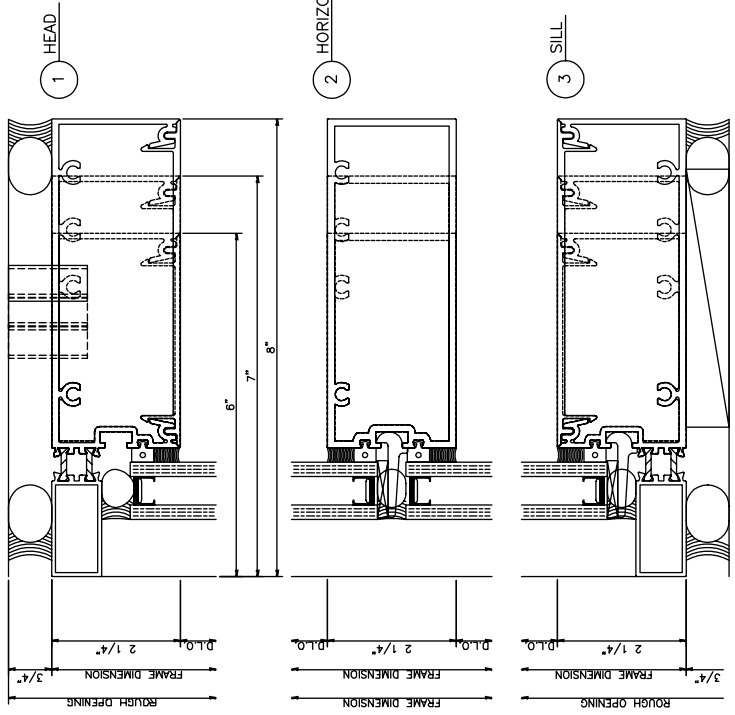
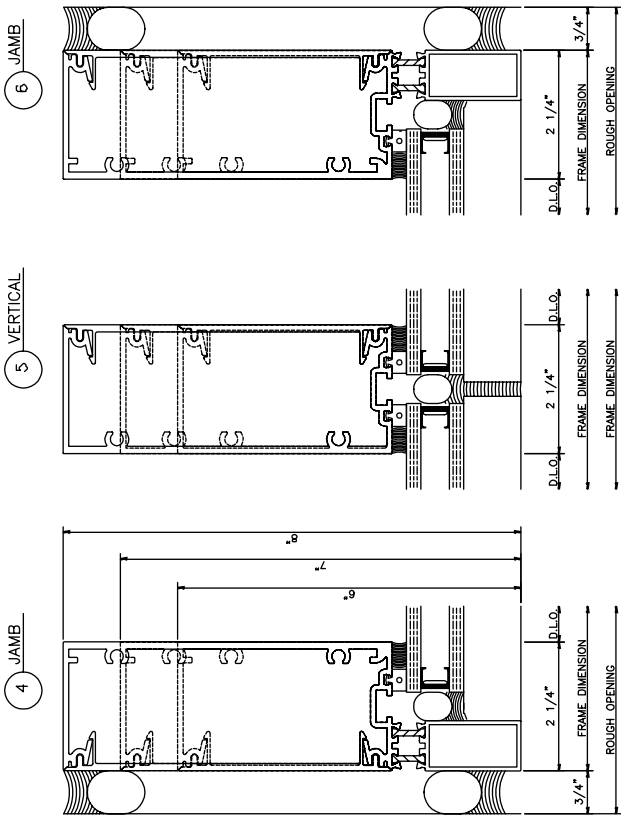
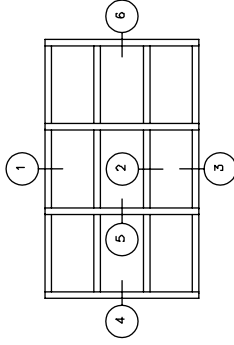
**5500 Inside Glazed**  
2 1/4" x 6", 7", 8"



**5500 Outside Glazed**  
2 1/4" x 6", 7", 8"

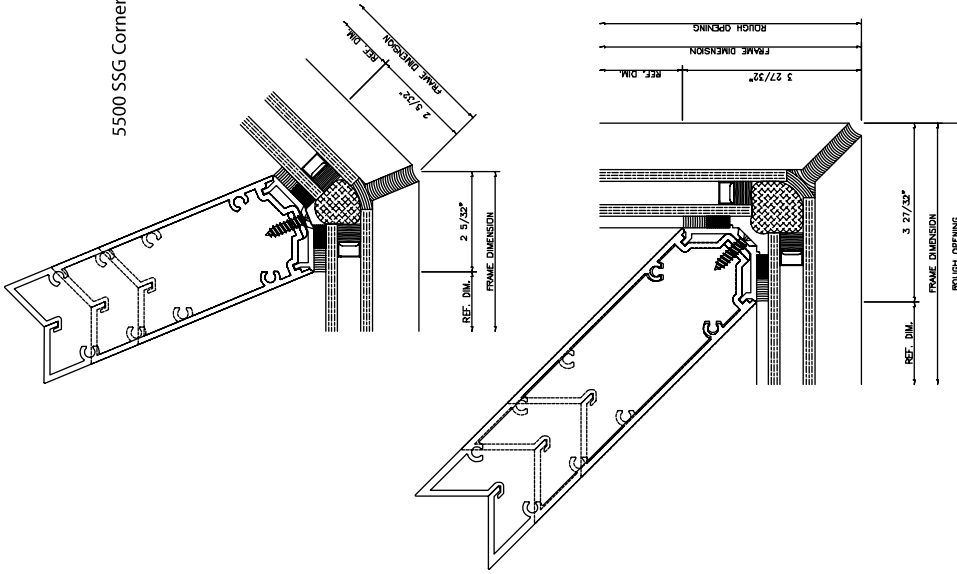
**5500 Structural Silicone Glazed**

2 1/4" x 6", 7", 8"

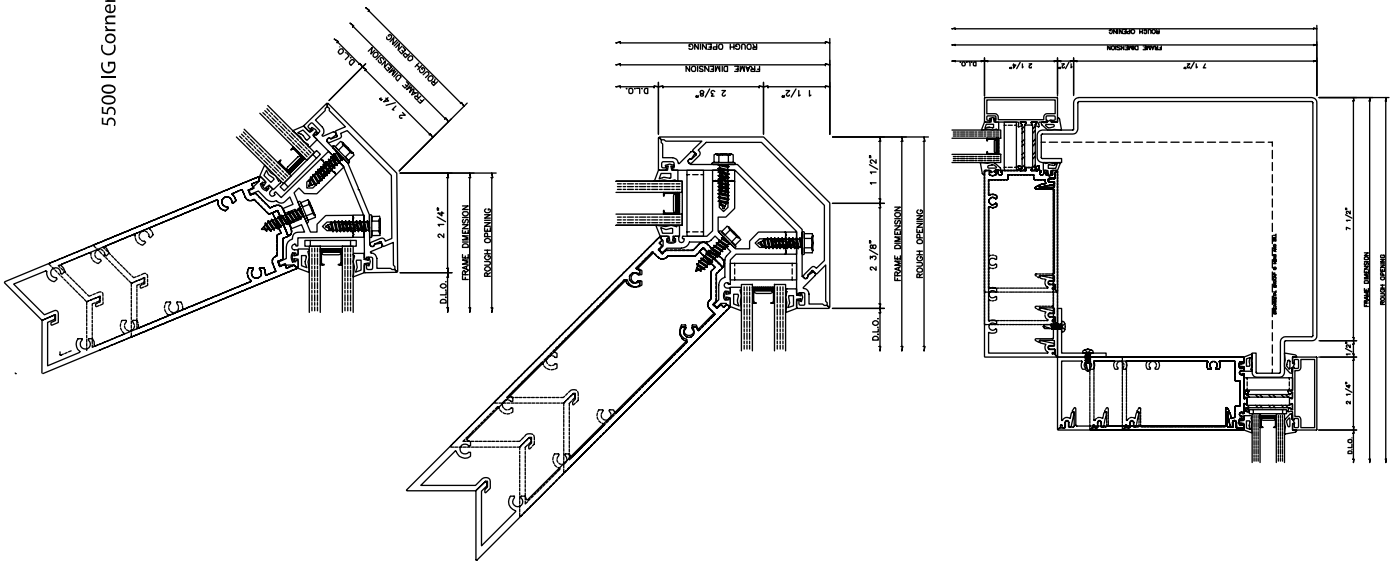


**5500 Corners**  
2 1/4" x 6", 7", 8"

5500 SSG Corner



5500 IG Corner



5500 OG Corner

