



SLIDING PATIO DOOR

SECTION DIRECTORY

**General Information**

Brand Summary	W-SD-3
Size and Performance Data	W-SD-4
Product Selection Guide	
Features and Options	W-SD-6
Glazing Performance	W-SD-7
Sound Transmission Class and Outdoor-Indoor Transmission Class	W-SD-12
Combination Assemblies	W-SD-13
Grille Types	
Grille Profiles	W-SD-14
Grille Patterns	W-SD-15
HurricaneShield® Impact-Resistant Glass	W-SD-16

Architect Series®

Size Tables—Clad	W-SD-17
Special Sizes	W-SD-21
Design Data	W-SD-22
Detailed Product Descriptions	W-SD-24
Unit Sections	W-SD-25
Unit Sections / Typical Joining Mullions	W-SD-28

Designer Series and Pella ProLine 450 Continued on next page



SLIDING PATIO DOOR

SECTION DIRECTORY

**Designer Series® French Sliding Patio Door**

Grille Types/Profiles and Patterns.....	W-SD-34
Size Tables—Clad	W-SD-35
Special Sizes	W-SD-39
Design Data	W-SD-40
Shade Handing Guide.....	W-SD-41
Detailed Product Descriptions	W-SD-42
Unit Sections.....	W-SD-43

Designer Series® Contemporary Sliding Patio Door

Grille Types/Profiles and Patterns.....	W-SD-47
Size Tables.....	W-SD-48
Special Sizes	W-SD-52
Design Data	W-SD-53
Detailed Product Descriptions	W-SD-55
Unit Sections.....	W-SD-56

Pella® ProLine 450

Grille Types/Profiles and Patterns.....	W-SD-60
Size Tables.....	W-SD-61
Design Data	W-SD-62
Detailed Product Descriptions	W-SD-63
Unit Sections / Typical Joining Mullions	W-SD-64

General Notes:

Specifications subject to change without notice. Go to www.PellaADM.com for most current technical data.
For complete CSI Format Specifications browse online at www.PellaADM.com.

Abbreviations:

P = Pending. Data not available at time of publication. Go to www.PellaADM.com for most current technical data.

HGP = Hinged Glass Panel

PVB = Polyvinyl butyral. This is a laminate material used in Pella HurricaneShield® glazing and is the same material traditionally used in car windshield applications.

SGP = SentryGlas® Plus from DuPont®. This is a stiffer laminate material which is optional in select HurricaneShield impact-resistant glazing products.
SentryGlas Plus and DuPont are registered trademarks of E. I. DuPont De Nemours & Company.

HA = High Altitude Glass. See Wood / Clad Overview section for more information.



SLIDING PATIO DOOR

BRAND SUMMARY



Sliding Patio Doors are uniquely designed with the sliding panel on the outside. When wind blows against it, the door creates a tighter seal. On competitors' doors with the sliding panel on the inside, wind actually forces the doors apart, which can compromise air infiltration performance. Pella's EnduraGuard protection formula, together with our immersion-treatment method, provides strong protection on every exterior wood surface of your windows and patio doors. This innovation provides advanced protection against the effects of moisture, decay, stains from mold and mildew - as well as termite damage. The exterior of the wood doors are protected by Pella's low-maintenance EnduraClad[®] or EnduraClad Plus protective finish. Factory-assembled standard size doors arrive to the customer pre-hung ready for immediate installation. Screens are top-hung so debris can't build up and interfere with operation.



River Court Condominiums, Cambridge, MA. Steffian Bradley Associates, Inc.

ARCHITECT SERIES[®]

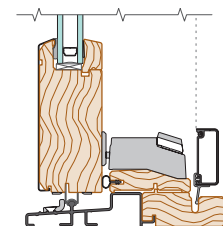
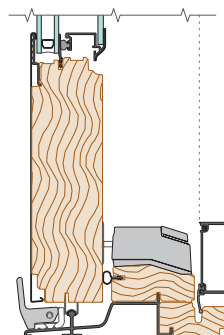
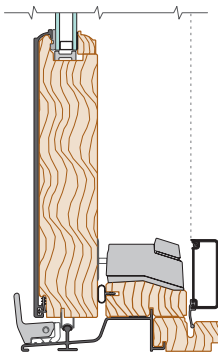
- A wide range of glazing options as well as HurricaneShield[®] impact-resistant glass
- Divided light options available in Integral Light Technology[®] grilles, Grilles-Between-the-Glass or wood removable grilles in standard and custom patterns
- EnduraClad[®] protective finish in standard and feature colors plus nearly unlimited custom colors
- Prefinished Interiors available
- Prefinished paint, stain or factory primed interiors

DESIGNER SERIES[®]

- Contemporary Doors featuring expansive views with a sleek design
- French Doors Featuring the warmth of wood for a more traditional design
- Snap-in between-glass shades, and blinds as well as removable between-the-glass grilles.
- EnduraClad[®] protective finish in standard and feature colors plus nearly unlimited custom colors
- Prefinished paint, stain or factory primed interiors

PELLA[®] PROLINE 450

- Stainless Steel Track
- EnduraClad protective finish in standard and feature colors.
- Permanent grilles-between-the-glass or removable roomside grilles
- Prefinished paint, stain or factory primed interiors





SLIDING PATIO DOOR

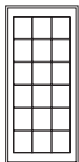
PRODUCT SELECTION GUIDE

Size and Performance Data

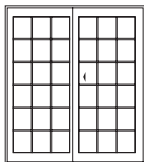


	ARCHITECT SERIES	DESIGNER SERIES	PELLA PROLINE 450
SIZES			
Standard Door Sizes	●	●	●
Standard Fixed Frame Direct Set Transom Sizes	●	●	●
Fixed Sash and Frame	●	–	–
Wide Stile Fixed Sash and Frame	●	–	–
Special Sizes	●	●	●
Custom Sizes	●	–	–
One-Panel Door Width (Fixed - O)			
2' 7"	●	●	–
3' 1"	●	●	●
4' 1"	●	●	–
Two-Panel Door Width (Fixed-Vent or Vent-Fixed – OX or XO)			
5'	●	●	●
6'	●	●	●
8'	●	●	●
Three-Panel Door Width (Fixed-Vent-Fixed – OXO)			
7' 6"	●	●	–
9'	●	●	–
12'	●	●	–
Four-Panel Door Width (Fixed-Vent-Vent-Fixed – OXXO)			
9' 9"	●	●	–
11' 9"	●	●	–
15' 9"	●	●	–
Door Heights			
6' 7-1/2"	●	●	●
6' 8"	●	●	–
6' 10"	●	●	●
8'	●	●	–

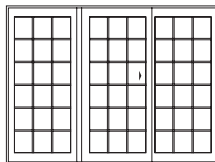
One-Panel



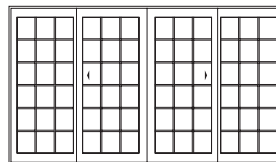
Two-Panel



Three-Panel



Four-Panel



(–) = Not Available



SLIDING PATIO DOOR

PRODUCT SELECTION GUIDE

Size and Performance Data



	ARCHITECT SERIES	DESIGNER SERIES		PELLA PROLINE 450
		French	Contemporary	
PERFORMANCE₁				
Standard Sill				
Meets or Exceeds AAMA/WDMA Ratings	SGD-R20-R75 Hallmark Certified	SGD-R20-CW75 Hallmark Certified	SGD-R20-CW75 Hallmark Certified	SGD-R30-R50 Hallmark Certified
Air Infiltration (cfm/ft ² of frame @ 1.57 psf wind pressure)	0.10	0.10	0.10	0.10
Water Resistance	3-11.25 psf	3-11.25 psf	3-11.25 psf	4.5-7.5 psf
Design Pressure	20-75 psf	20-75 psf	20-75 psf	30-50 psf
HurricaneShield® Impact-Resistant Glass				
9/16" Single-Laminated SGP Meets or Exceeds AAMA/WDMA Ratings	Up to SGD-R70 Hallmark Certified Miami-Dade County Approved	-	-	-
11/16" Insulated Glass PVB Meets or Exceeds AAMA/WDMA Ratings	Up to SGD-R55 Hallmark Certified Miami-Dade County Approved	-	-	-
OTHER PERFORMANCE CRITERIA				
Forced Entry Resistance Level (Minimum Security Grade) ₂	40	40	40	20
Maximum Operating Force (lb) Initiate Motion/Maintain Motion	30/20	30/20	30/20	30/20

(-) = Not Available

(1) Maximum performance for single unit when glazed with the appropriate glass thickness. See Design Data pages in this section for specific product performance class and grade values.

(2) The higher the level, the greater the product's ability to resist forced entry.



SLIDING PATIO DOOR

PRODUCT SELECTION GUIDE

Features and Options



	ARCHITECT SERIES	DESIGNER SERIES	PELLA PROLINE 450
GLAZING			
Glazing Type			
Dual-Pane Insulating Glass	S	-	S
Designer Series® triple-pane glazing	-	S	-
Insulated Glass Options/Low-E Types			
Advanced Low-E	S	S	S
SunDefense™ Low-E	O	O	O
AdvancedComfort Low-E	O	O	O
NaturalSun Low-E	O	O	O
Insulating Glass with Clear Hinged Glass Panel	-	O	-
Clear (no Low-E coating)	O	O	-
Additional Glass Options			
Tempered Glass	S	S	S
Obscure Glass ₁	O	O	O
Tinted Glass (Bronze, Gray and Green)	O	O	-
Hurricaneshield® Impact Resistant Products with Laminated Single-Pane Glass	O	-	-
Hurricaneshield® Impact Resistant Products with Laminated Dual-pane Insulating Glass	O	-	-
Gas Fill/High Altitude			
Argon	S	S	S
High altitude	O	O	O
EXTERIOR			
EnduraClad® protective finish	S	S	S
EnduraClad Plus protective finish	O	O	-
Cladding Colors			
White, Tan, Putty or Brown	S	S	S
23 Feature Colors ₂	O	O	O
Custom Colors ₁	O	O	-
INTERIOR			
Unfinished Wood	S	S	S
Factory primed	O	O	O
Factory prefinished paint ₁	O	O	O
Factory prefinished stain ₁	O	O	O
WOOD TYPES			
Pine	S	S	S
Mahogany, Alder, Douglas Fir	O	-	-

	ARCHITECT SERIES	DESIGNER SERIES	PELLA PROLINE 450
HARDWARE			
Interior			
Champagne, White or Brown	S	S	S
Endura Hardware™ Collection: Bright Brass or Satin Nickel	O	O	O
Exterior			
Handle matches cladding	-	S	-
LOCKING SYSTEM			
Mult-Point	S	S	-
Single-Point	-	-	S
Key Lock	S	S	O
Foot Bolt	S	S	O
GRILLES			
Integral Light Technology® Grilles			
Traditional, Prairie, Top Row, Victorian, Cross, New England Custom	O	-	-
Removable Pine Wood Interior Grilles			
Traditional	O	-	O
Prairie, Custom, Victorian, Top Row, Cross, New England	O	-	-
Removable Between-Glass Grilles			
Traditional, Prairie, Cross, Top Row, New England, Custom	-	O	-
Grilles-Between-the-Glass			
Traditional, Prairie, Cross, Top Row, Custom-Equally Divided	O	-	O
WINDOW FASHIONS			
Cellular Fabric Shades₁			
Between-Glass Bottom-Up	-	O	-
Between-Glass Top-Down	-	O	-
Slimshade® Blinds₁			
Between-Glass Bottom-Up	-	O	-
Between-Glass Tilt-Only	-	O	-
SCREENS			
Rolscreen® Retractable ₃	O	O	-
Self-Closing	O	O	-
Sliding	-	-	O

O = Optional; S = Standard; (-) = Not Available

(1) Contact your local Pella sales representative for current designs and color options.

(2) See the Clad/Wood Overview section for feature color options. Poplar White, Hartford Green, Black, Brick Red, and Portobello and Morning Sky Gray (available Spring 2015) are feature color options available for Pella ProLine.

(3) Rolscreen available in OX, XO, OXO doors only.



SLIDING PATIO DOOR

GLAZING PERFORMANCE - TOTAL UNIT

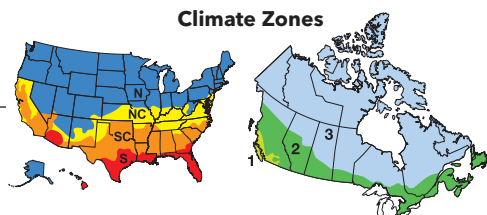
Clad French - O, OX/XO, OXO and OXXO



Glazing Thickness	Type of Glazing	NFRC Certified Product #	Glass (mm)		Gap Fill	Performance Values ₁				Shaded Areas Meet ENERGY STAR® Performance Criteria in Zones Shown							
			Ext.	Int.		U-Factor	SHGC	VLT %	CR	U. S.							
										Zone		ER	Zone				
VENT UNITS										N	NC	SC	S	1	2	3	
5/8"	Clear IG	PEL-N-56-00621-00001	3	3	air	0.46	0.47	49	42								
	with grilles-between-the-glass	PEL-N-56-00620-00001				0.46	0.41	42	42								
	with integral grilles	PEL-N-56-00619-00001				0.46	0.41	42	42								
5/8"	Advanced Low-E IG	PEL-N-56-00666-00001	3	3	argon	0.32	0.23	42	56								
	with grilles-between-the-glass	PEL-N-56-00665-00001				0.33	0.20	36	56								
	with integral grilles	PEL-N-56-00664-00001				0.33	0.20	36	56								
5/8"	SunDefense™ Low-E IG	PEL-N-56-00627-00001	3	3	argon	0.32	0.17	39	56								
	with grilles-between-the-glass	PEL-N-56-00626-00001				0.33	0.15	33	56								
	with integral grilles	PEL-N-56-00625-00001				0.32	0.15	33	56								
5/8"	AdvancedComfort Low-E IG	PEL-N-56-00732-00001	3	3	argon	0.29	0.23	41	45								
	with grilles-between-the-glass	PEL-N-56-00731-00001				0.30	0.20	35	45								
	with integral grilles	PEL-N-56-00730-00001				0.30	0.20	35	45								
5/8"	NaturalSun Low-E IG	PEL-N-56-00720-00001	3	3	argon	0.33	0.42	47	55								
	with grilles-between-the-glass	PEL-N-56-00719-00001				0.34	0.36	41	55								
	with integral grilles	PEL-N-56-00718-00001				0.34	0.36	41	55								
TINTED GLAZING																	
5/8"	Bronze Advanced Low-E IG	PEL-N-56-00702-00001	5	3	argon	0.34	0.21	27	54								
	with grilles-between-the-glass	PEL-N-56-00701-00001				0.35	0.18	23	54								
	with integral grilles	PEL-N-56-00700-00001				0.35	0.18	23	54								
5/8"	Gray Advanced Low-E IG	PEL-N-56-00708-00001	5	3	argon	0.34	0.19	23	54								
	with grilles-between-the-glass	PEL-N-56-00707-00001				0.35	0.17	20	54								
	with integral grilles	PEL-N-56-00706-00001				0.35	0.17	20	54								
5/8"	Green Advanced Low-E IG	PEL-N-56-00714-00001	5	3	argon	0.34	0.20	33	54								
	with grilles-between-the-glass	PEL-N-56-00713-00001				0.35	0.18	28	54								
	with integral grilles	PEL-N-56-00712-00001				0.35	0.18	28	54								
HIGH ALTITUDE GLAZING																	
5/8"	Advanced Low-E IG	PEL-N-56-00672-00001	3	3	air	0.35	0.23	42	53								
	with grilles-between-the-glass	PEL-N-56-00671-00001				0.37	0.20	36	52								
	with integral grilles	PEL-N-56-00670-00001				0.36	0.20	36	52								
5/8"	SunDefense Low-E IG	PEL-N-56-00633-00001	3	3	air	0.35	0.18	39	53								
	with grilles-between-the-glass	PEL-N-56-00632-00001				0.36	0.16	33	53								
	with integral grilles	PEL-N-56-00631-00001				0.36	0.16	33	53								
5/8"	AdvancedComfort Low-E IG	PEL-N-56-00735-00001	3	3	air	0.31	0.23	41	41								
	with grilles-between-the-glass	PEL-N-56-00734-00001				0.32	0.20	35	41								
	with integral grilles	PEL-N-56-00733-00001				0.32	0.20	35	41								
5/8"	NaturalSun Low-E IG	PEL-N-56-00723-00001	3	3	air	0.36	0.42	47	52								
	with grilles-between-the-glass	PEL-N-56-00722-00001				0.37	0.36	41	52								
	with integral grilles	PEL-N-56-00721-00001				0.37	0.36	41	52								

R-Value = 1/U-Factor
 SHGC = Solar Heat Gain Coefficient
 VLT % = Visible Light Transmission
 CR = Condensation Resistance
 ER = Canadian Energy Rating

(1) Glazing performance values are calculated based on NFRC 100, NFRC 200 and NFRC 500. ENERGY STAR® values are updated to 2015 (Version 6) criteria.
 (2) The values shown are based on Canada's updated ENERGY STAR® 2015 initiative.
 See the Product Performance section for more detailed information or visit www.energystar.gov for Energy Star guidelines.





SLIDING PATIO DOOR

GLAZING PERFORMANCE - TOTAL UNIT

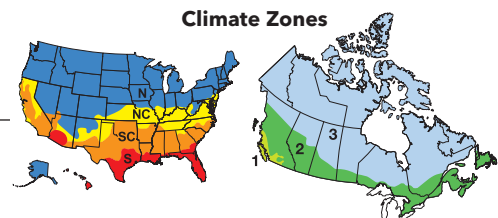
HurricaneShield® Impact Resistant
Clad French - O and OX/XO



Glazing Thickness	Type of Glazing	NFRC Certified Product #	Glass (mm)		Gap Fill	Performane Values ¹				Shaded Areas Meet ENERGY STAR® Performance Criteria in Zones Shown							
			Ext.	Int.		U-Factor	SHGC	VLT %	CR	U. S.			Canada ²				
										Zone	ER	Zone	1	2	3		
HURRICANESHIELD® LAMINATED IMPACT-RESISTANT										N	NC	SC	S				
9/16"	Single clear SGP	PEL-N-56-00587-00001	14	NA	NA	0.70	0.44	50	16								
9/16"	Single-laminated Low-E SGP		14	NA	NA	0.71	0.22	34									
11/16"	Clear IG PVB	PEL-N-56-00590-00001	8	3	air	0.47	0.42	48	41								
	with grilles-between-the-glass	PEL-N-56-00589-00001	8	3		0.48	0.36	41	41								
	with integral grilles	PEL-N-56-00588-00001	8	3		0.48	0.36	41	41								
11/16"	Advanced Low-E IG PVB	PEL-N-56-00669-00001	8	3	argon	0.35	0.27	41	53								
	with grilles-between-the-glass	PEL-N-56-00668-00001	8	3		0.36	0.23	35	53								
	with integral grilles	PEL-N-56-00667-00001	8	3		0.37	0.23	35	53								
11/16"	SunDefense™ Low-E IG PVB	PEL-N-56-00630-00001	8	3	argon	0.35	0.23	38	54								
	with grilles-between-the-glass	PEL-N-56-00629-00001	8	3		0.36	0.20	32	54								
	with integral grilles	PEL-N-56-00628-00001	8	3		0.36	0.20	32	54								
TINTED GLAZING - LAMINATED IMPACT-RESISTANT																	
9/16"	Bronze Single SGP	PEL-N-56-00595-00001	14	NA	NA	0.71	0.36	31	16								
11/16"	Bronze IG PVB	PEL-N-56-00601-00001	8	3	air	0.47	0.34	27	41								
	with grilles-between-the-glass	PEL-N-56-00600-00001	8	3		0.48	0.30	23	41								
	with integral grilles	PEL-N-56-00599-00001	8	3		0.48	0.30	23	41								
9/16"	Gray Single SGP	PEL-N-56-00603-00001	14	NA	NA	0.71	0.34	25	16								
11/16"	Gray IG PVB	PEL-N-56-00609-00001	8	3		0.47	0.33	24	41								
	with grilles-between-the-glass	PEL-N-56-00608-00001	8	3		0.48	0.29	21	41								
	with integral grilles	PEL-N-56-00607-00001	8	3		0.48	0.29	21	41								
9/16"	Green Single SGP	PEL-N-56-00611-00001	14	NA	NA	0.71	0.34	43	16								
11/16"	Green IG PVB	PEL-N-56-00617-00001	8	3	air	0.47	0.34	40	41								
	with grilles-between-the-glass	PEL-N-56-00616-00001	8	3		0.48	0.29	34	41								
	with integral grilles	PEL-N-56-00615-00001	8	3		0.48	0.29	34	41								

R-Value = 1/U-Factor
 SHGC = Solar Heat Gain Coefficient
 VLT % = Visible Light Transmission
 CR = Condensation Resistance
 ER = Canadian Energy Rating

(1) Glazing performance values are calculated based on NFRC 100, NFRC 200 and NFRC 500. ENERGY STAR® values are updated to 2015 (Version 6) criteria.
 (2) The values shown are based on Canada's updated ENERGY STAR® 2015 initiative.
 See the Product Performance section for more detailed information or visit www.energystar.gov for Energy Star guidelines.





SLIDING PATIO DOOR

GLAZING PERFORMANCE - TOTAL UNIT

Clad French

O, OX/XO, OXO and OXXO



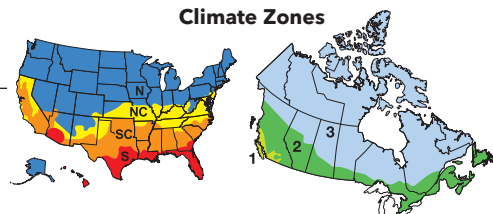
Glazing Thickness	Type of Glazing	NFRC Certified Product #	Glass (mm)			Gap Fill	Performance Values ₁				Shaded Areas Meet ENERGY STAR® Performance Criteria in Zones Shown									
			Ext.	Mid	Int.		U-Factor	SHGC	VLT %	CR	U. S.				Canada ₂					
											Zone				ER	Zone				
											N	NC	SC	S				1	2	3
TRIPLE-PANE GLAZING WITH CLEAR HGP																				
5/8"	5/8" clear IG	PEL-N-25-00329-00001	3	3	3	air	0.36	0.43	46	56										
5/8"	5/8" Advanced Low-E IG	PEL-N-25-00497-00001	3	3	3	argon	0.29	0.21	39	58										
5/8"	SunDefense™ Low-E IG	PEL-N-25-00439-00001	3	3	3	argon	0.29	0.16	36	59										
5/8"	SunDefense™ Low-E IG	PEL-N-25-00444-00001	4	4	4	argon	0.30	0.16	35	59										
5/8"	AdvancedComfort Low-E IG	PEL-N-25-00802-00001	3	3	3	argon	0.26	0.21	38	61					19					
5/8"	NaturalSun Low-E IG	PEL-N-25-00595-00001	3	3	3	argon	0.30	0.39	44	58										
TINTED GLAZING WITH CLEAR HGP																				
5/8"	Bronze Advanced Low-E IG	PEL-N-25-00523-00001	5	3	3	argon	0.30	0.19	25	58										
5/8"	Gray Advanced Low-E IG	PEL-N-25-00547-00001	5	3	3	argon	0.30	0.17	22	58										
5/8"	Green Advanced Low-E IG	PEL-N-25-00571-00001	5	3	3	argon	0.30	0.18	30	58										
HIGH ALTITUDE GLAZING WITH CLEAR HGP																				
5/8"	Advanced Low-E IG	PEL-N-25-00511-00001	3	3	3	air	0.31	0.22	39	58										
5/8"	Advanced Low-E IG	PEL-N-25-00516-00001	4	4	4	air	0.31	0.22	39	58										
5/8"	SunDefense™ Low-E IG	PEL-N-25-00449-00001	3	3	3	air	0.31	0.16	36	58										
5/8"	SunDefense™ Low-E IG	PEL-N-25-00456-00001	4	4	4	air	0.32	0.16	35	58										
5/8"	AdvancedComfort Low-E IG	PEL-N-25-00808-00001	3	3	3	air	0.27	0.21	38	60					18					
5/8"	AdvancedComfort Low-E IG	PEL-N-25-00811-00001	4	4	4	air	0.27	0.21	38	61					18					
5/8"	NaturalSun Low-E IG	PEL-N-25-00607-00001	3	3	3	air	0.32	0.39	44	58										
5/8"	NaturalSun Low-E IG	PEL-N-25-00612-00001	4	4	4	air	0.32	0.39	43	58										

R-Value = 1/U-Factor
 SHGC = Solar Heat Gain Coefficient
 VLT % = Visible Light Transmission
 CR = Condensation Resistance
 ER = Canadian Energy Rating

(1) Glazing performance values are calculated based on NFRC 100, NFRC 200 and NFRC 500. ENERGY STAR® values are updated to 2015 (Version 6) criteria.

(2) The values shown are based on Canada's updated ENERGY STAR® 2015 initiative.

See the Product Performance section for more detailed information or visit www.energystar.gov for Energy Star guidelines.





GLAZING PERFORMANCE - TOTAL UNIT

Clad Contemporary
O, OX/XO, OXO and OXXO



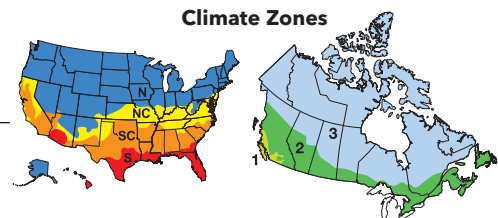
Glazing Thickness	Type of Glazing	NFRC Certified Product #	Glass (mm)			Gap Fill	Performane Values ₁				Shaded Areas Meet ENERGY STAR® Performance Criteria in Zones Shown							
			Ext.	Mid	Int.		U-Factor	SHGC	VLT %	CR	U. S.							
											Zone				Canada ₂			
											N	NC	SC	S	ER	1	2	3
TRIPLE-PANE GLAZING WITH CLEAR HGP																		
5/8"	5/8" clear IG	PEL-N-24-00317-00001	3	3	3	air	0.36	0.50	53	56					23			
5/8"	5/8" Advanced Low-E IG	PEL-N-24-00497-00001	3	3	3	argon	0.28	0.25	45	57	■	■	■	■	19	■		
5/8"	SunDefense™ Low-E IG	PEL-N-24-00437-00001	3	3	3	argon	0.28	0.19	42	57	■	■	■	■	15			
5/8"	SunDefense™ Low-E IG	PEL-N-24-00444-00001	4	4	4	argon	0.29	0.19	41	57	■	■	■	■				
5/8"	AdvancedComfort Low-E IG	PEL-N-24-00802-00001	3	3	3	argon	0.25	0.24	44	59	■	■	■	■	22	■	■	
5/8"	NaturalSun Low-E IG	PEL-N-24-00593-00001	3	3	3	argon	0.29	0.45	51	57					29	■	■	
TINTED GLAZING WITH CLEAR HGP																		
5/8"	Bronze Advanced Low-E IG	PEL-N-24-00533-00001	5	3	3	argon	0.29	0.21	29	57	■	■	■	■				
5/8"	Gray Advanced Low-E IG	PEL-N-24-00557-00001	5	3	3	argon	0.29	0.20	25	57	■	■	■	■				
5/8"	Green Advanced Low-E IG	PEL-N-24-00581-00001	5	3	3	argon	0.29	0.21	35	57	■	■	■	■				
HIGH ALTITUDE GLAZING WITH CLEAR HGP																		
5/8"	Advanced Low-E IG	PEL-N-24-00511-00001	3	3	3	air	0.30	0.25	45	57	■	■	■	■				
5/8"	Advanced Low-E IG	PEL-N-24-00516-00001	4	4	4	air	0.30	0.25	45	56	■	■	■	■				
5/8"	SunDefense™ Low-E IG	PEL-N-24-00449-00001	3	3	3	air	0.30	0.19	42	57	■	■	■	■				
5/8"	SunDefense™ Low-E IG	PEL-N-24-00456-00001	4	4	4	air	0.32	0.19	41	56								
5/8"	AdvancedComfort Low-E IG	PEL-N-24-00808-00001	3	3	3	air	0.27	0.24	44	59	■	■	■	■	19	■		
5/8"	AdvancedComfort Low-E IG	PEL-N-24-00811-00001	4	4	4	air	0.27	0.24	44	59	■	■	■	■	19			
5/8"	NaturalSun Low-E IG	PEL-N-24-00607-00001	3	3	3	air	0.31	0.45	51	57					26	■		
5/8"	NaturalSun Low-E IG	PEL-N-24-00612-00001	4	4	4	air	0.31	0.45	51	56					26	■		

R-Value = 1/U-Factor
SHGC = Solar Heat Gain Coefficient
VLT % = Visible Light Transmission
CR = Condensation Resistance
ER = Canadian Energy Rating

(1) Glazing performance values are calculated based on NFRC 100, NFRC 200 and NFRC 500. ENERGY STAR® values are updated to 2015 (Version 6) criteria.

(2) The values shown are based on Canada's updated ENERGY STAR® 2015 initiative.

See the Product Performance section for more detailed information or visit www.energystar.gov for Energy Star guidelines.





SLIDING PATIO DOOR

GLAZING PERFORMANCE - TOTAL UNIT

Clad Contemporary
O and OX/XO



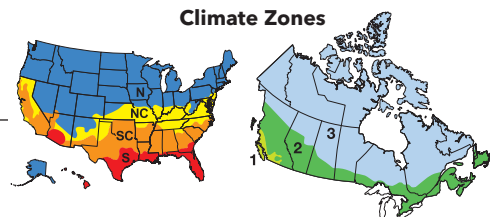
Glazing Thickness	Type of Glazing	NFRC Certified Product #	Glass Layout (mm)		Gap Fill	Performane Values ¹				Shaded Areas Meet ENERGY STAR® Performance Criteria in Zones Shown							
			Ext.	Int.		U-Factor	SHGC	VLT %	CR	U. S.				Canada ²			
										Zone				ER	Zone		
										N	NC	SC	S				
VENT UNITS																	
3/4"	Advanced Low-E IG	PEL-N-4-00222-00001	3	3	argon	0.30	0.28	52	56					18			
	with grilles-between-the-glass	PEL-N-4-00221-00001				0.30	0.24	45	56					16			
3/4"	Advanced Low-E IG	PEL-N-4-00234-00001	4	4	argon	0.30	0.27	51	55					17			
	with grilles-between-the-glass	PEL-N-4-00233-00001				0.30	0.24	44	55					16			
3/4"	SunDefense™ Low-E IG	PEL-N-4-00225-00001	3	3	argon	0.29	0.21	48	57					15			
	with grilles-between-the-glass	PEL-N-4-00224-00001				0.29	0.18	41	57					13			
3/4"	SunDefense™ Low-E IG	PEL-N-4-00237-00001	4	4	argon	0.29	0.21	47	56					15			
	with grilles-between-the-glass	PEL-N-4-00236-00001				0.29	0.18	41	56					13			
3/4"	AdvancedComfort Low-E IG	PEL-N-4-00311-00001	3	3	argon	0.26	0.27	50	47					22			
	with grilles-between-the-glass	PEL-N-4-00310-00001				0.26	0.24	44	47					21			
3/4"	AdvancedComfort Low-E IG	PEL-N-4-00314-00001	4	4	argon	0.26	0.27	50	46					22			
	with grilles-between-the-glass	PEL-N-4-00313-00001				0.26	0.24	43	46					21			
3/4"	NaturalSun Low-E IG	PEL-N-4-00219-00001	3	3	argon	0.31	0.51	58	56					30			
	with grilles-between-the-glass	PEL-N-4-00218-00001				0.31	0.46	51	56					27			
3/4"	NaturalSun Low-E IG	PEL-N-4-00231-00001	4	4	argon	0.31	0.50	58	55					29			
	with grilles-between-the-glass	PEL-N-4-00230-00001				0.31	0.44	50	55					26			
HIGH ALTITUDE GLAZING																	
3/4"	Advanced Low-E IG	PEL-N-4-00246-00001	3	3	air	0.33	0.28	52	53					14			
	with grilles-between-the-glass	PEL-N-4-00245-00001				0.33	0.25	45	53					12			
3/4"	Advanced Low-E IG	PEL-N-4-00258-00001	4	4	air	0.33	0.28	51	52					14			
	with grilles-between-the-glass	PEL-N-4-00257-00001				0.33	0.24	44	52					12			
3/4"	SunDefense™ Low-E IG	PEL-N-4-00249-00001	3	3	air	0.33	0.21	48	54					10			
	with grilles-between-the-glass	PEL-N-4-00248-00001				0.33	0.19	41	54					9			
3/4"	SunDefense™ Low-E IG	PEL-N-4-00261-00001	4	4	air	0.33	0.21	47	52					10			
	with grilles-between-the-glass	PEL-N-4-00260-00001				0.33	0.19	41	52					9			
3/4"	AdvancedComfort Low-E IG	PEL-N-4-00317-00001	3	3	air	0.28	0.27	50	44					20			
	with grilles-between-the-glass	PEL-N-4-00316-00001				0.28	0.24	44	44					18			
3/4"	AdvancedComfort Low-E IG	PEL-N-4-00320-00001	4	4	air	0.28	0.27	50	42					20			
	with grilles-between-the-glass	PEL-N-4-00319-00001				0.28	0.24	43	42					18			
3/4"	NaturalSun Low-E IG	PEL-N-4-00243-00001	3	3	air	0.34	0.51	58	53					26			
	with grilles-between-the-glass	PEL-N-4-00242-00001				0.34	0.45	51	53					23			
3/4"	NaturalSun Low-E IG	PEL-N-4-00255-00001	4	4	air	0.34	0.49	58	52					25			
	with grilles-between-the-glass	PEL-N-4-00254-00001				0.34	0.41	50	52					20			

R-Value = 1/U-Factor
SHGC = Solar Heat Gain Coefficient
VLT % = Visible Light Transmission
CR = Condensation Resistance
ER = Canadian Energy Rating

(1) Glazing performance values are calculated based on NFRC 100, NFRC 200 and NFRC 500. ENERGY STAR® values are updated to 2015 (Version 6) criteria.

(2) The values shown are based on Canada's updated ENERGY STAR® 2015 initiative.

See the Product Performance section for more detailed information or visit www.energystar.gov for Energy Star guidelines.



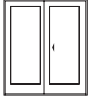
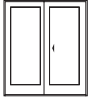
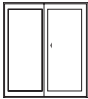
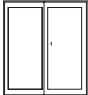


SLIDING PATIO DOOR

SOUND TRANSMISSION CLASS

Outdoor-Indoor Transmission Class



Product	Frame Size Tested ⁽¹⁾	Glazing System				STC Rating	OITC Rating
		Overall Glazing Thickness	Exterior Glass Thickness	Interior Glass Thickness	Third Pane Thickness (HGP)		
ARCHITECT SERIES CLAD DOOR 	WITH INTEGRAL GRILLES						
	71-1/4" x 81-1/2" (Fixed-Vent)	5/8"	3mm	3mm	–	32	29
	71-1/4" x 81-1/2" (Fixed-Vent)	9/16"	14.2mm SGP	3mm	–	32	30
	71-1/4" x 81-1/2" (Fixed-Vent)	11/16"	7.6mm PVB	3mm	–	33	29
	WITH REMOVABLE OR NO GRILLES						
	71-1/4" x 81-1/2" (Fixed-Vent)	5/8"	3mm	3mm	–	30	26
	71-1/4" x 81-1/2" (Fixed-Vent)	9/16"	14.2mm SGP	3mm	–	33	30
71-1/4" x 81-1/2" (Fixed-Vent)	11/16"	7.6mm PVB	3mm	–	34	29	
DESIGNER SERIES CLAD FRENCH DOOR 	WITH REMOVABLE BETWEEN-GLASS GRILLES OR NO GRILLES						
	Triple-Pane Glazing						
	71-1/4" x 79-1/2" (Fixed-Vent)	5/8"	3mm	3mm	3mm	32	27
36-3/4" x 79-1/2" (Fixed)	5/8"	3mm	3mm	3mm	34	26	
DESIGNER SERIES CLAD CONTEMPORARY DOOR 	WITH REMOVABLE BETWEEN-GLASS GRILLES OR NO GRILLES						
	Triple-Pane Glazing						
	71-1/4" x 79-1/2" (Fixed-Vent)	5/8"	3mm	3mm	3mm	32	27
36-3/4" x 79-1/2" (Fixed)	5/8"	3mm	3mm	3mm	34	26	
PELLA PROLINE 450 CLAD DOOR 	WITH REMOVABLE GRILLES OR GRILLES-BETWEEN-THE-GLASS OR NO GRILLES						
	71-1/4" x 79-1/2" (Fixed-Vent)	3/4"	3mm	3mm	–	28	24
36-5/8" x 79-1/2" (Fixed)	3/4"	3mm	3mm	–	27	22	

(–) = Not Applicable

(1) ASTM E 1425 defines standard sizes for acoustical testing. Ratings achieved at that size are representative of all sizes of the same configuration.



SLIDING PATIO DOOR

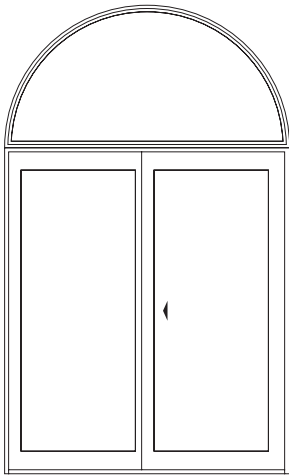
COMBINATION ASSEMBLIES



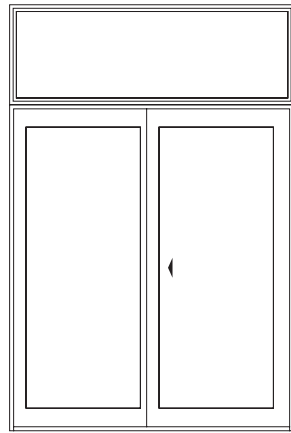
Combinations are a great way to create visual interest in any project. A combination is an assembly formed by two or more separate windows or doors whose frames are mullioned together by a combination or reinforcing mullion.

Pella door combinations are available in an endless variety of arrangements. Below are available factory-assembled combinations. Some units can be fixed or vent depending on availability, and may vary between Architect Series®, Designer Series® and Pella® (ProLine). See www.PellaADM.com for typical combinations and requirements and limitations related to mulling various combinations.

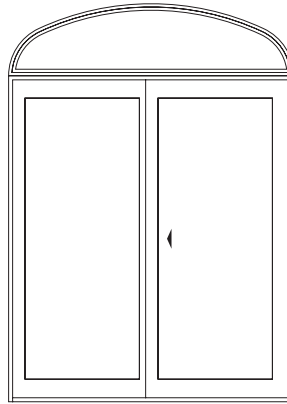
Contact your local Pella sales representative for more information.



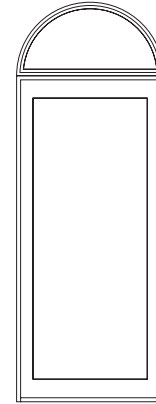
Half Circle over
Sliding Contemporary Fixed/Vent



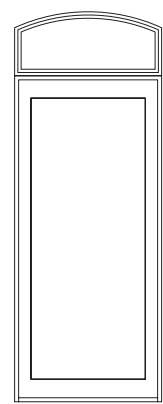
Transom over
Sliding Contemporary Fixed/Vent



Elliptical over
Sliding Contemporary Fixed/Vent



Half Circle over
Fixed



Arch Head over
Fixed



Click to view Clad-Wood Combinations Sections

- [Combination Recommendations Downloadable PDF.](#)
- [Combination Size Tables Downloadable PDF.](#)



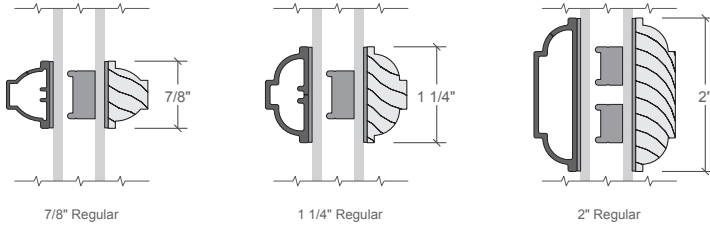
SLIDING PATIO DOOR

GRILLE TYPES

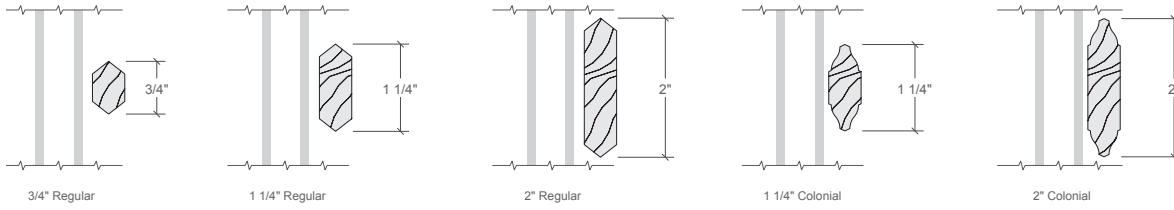
Typical Grille Profiles



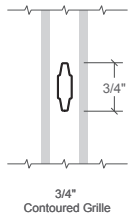
Integral Light Technology® Grilles with Clad Exterior¹



Removable Interior Pine Grilles



Grilles-Between-the-Glass



(1) Available in Pine, Mahogany, to match complete unit. Foam spacer not available in impact-resistant glazing units.



SLIDING PATIO DOOR

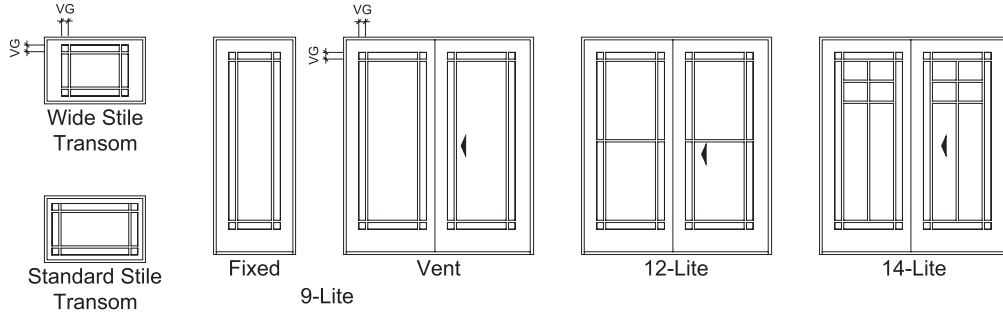
GRILLE TYPES

Typical Grille Patterns



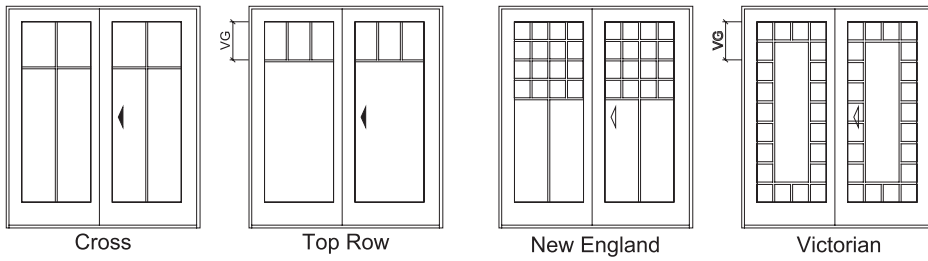
Integral Light Technology® Grilles and Removable Grilles

PRAIRIE LITE PATTERNS



All fixed doors and transoms with removable grilles will have 9 lites. 8' doors will have 12 lites.
Standard corner light dimension for Prairie patterns = 3-1/2" VG.

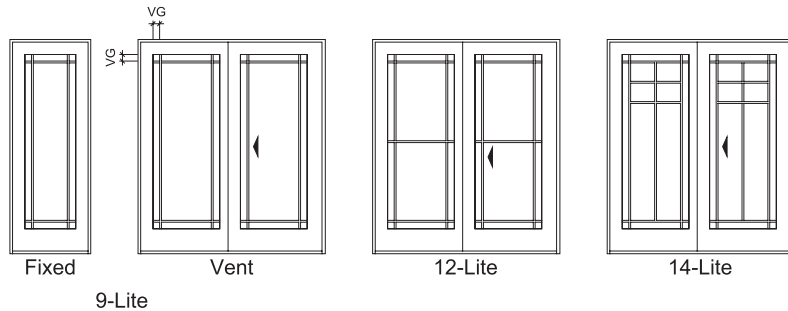
OTHER AVAILABLE PATTERNS



Standard visible glass to separator bar = 14" or half of total visible glass height, whichever is smaller.

Grilles-Between-the-Glass

PRAIRIE LITE PATTERNS



Prairie

- Standard corner lite dimension = 3-1/2" VG.

12-lite

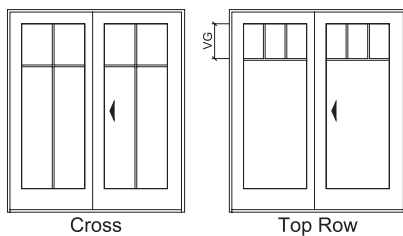
- Pattern available in 8' doors only

Cross

- Horizontal bar is 1/4 of visible glass from the top in door panels.
- Not available in transoms.

Top Row

OTHER AVAILABLE PATTERNS



- Horizontal bar may be ordered 12", 14" or 16" from the top VG.
- Transoms with frame heights $\geq 21"$, the horizontal bar will be positioned at 1/2 the visible glass height.
- Top Row not available in transoms with frame height $< 21"$.

For traditional patterns, see size tables.

VG = Visible Glass

Lite dimensions noted can vary.

Custom configurations are available; for details contact your local Pella sales representative.



SLIDING PATIO DOOR

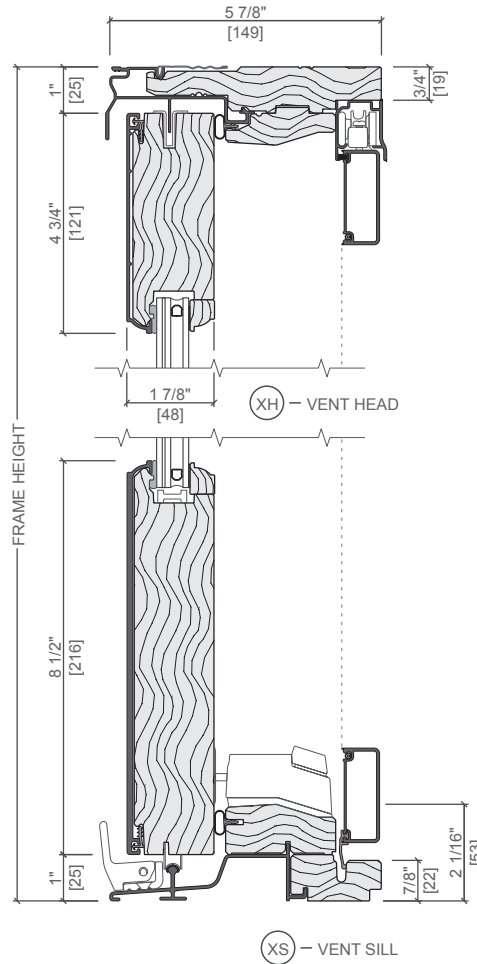
HURRICANESHIELD® IMPACT-RESISTANT GLASS

Aluminum-Clad Wood



For a complete list of the HurricaneShield Impact-Resistant Glazing ratings, refer to the Coastal and High Winds section.

PRODUCT	MIAMI-DADE COUNTY APPROVED ¹		FLORIDA PRODUCT APPROVAL SYSTEM		HALLMARK CERTIFIED
	Design Pressure	NOA	Design Pressure	FPAS	
VENT UNITS	9/16" Single-Laminated SGP				
	+/- 55 to +/- 70	13-0530.17	+/- 55 to +/- 70	FL12459	411-H-736
FIXED UNITS	11/16" Insulated Glass PVB				
	+55 / -55	13-0530.17	+55 / -55	FL12459	411-H-736
FIXED UNITS	9/16" Single-Laminated SGP				
	+/- 55 to +/- 70	13-0530.17	+/- 55 to +/- 70	FL12459	411-H-726
FIXED UNITS	11/16" Insulated Glass PVB				
	+55 / -55	13-0530.17	+55 / -55	FL12459	411-H-726



(-) = Not Applicable

(1) Units are tested for air/water/structural and impact-resistance, and certified for wind zone 4, large missile rating D. Florida Product Approval System number not needed if Miami-Dade County approved.

For clear opening, vent area, visible glass, and frame area, clad Design Data pages.

Transoms, Fixed-Vent-Fixed (OXO) and Fixed-Vent-Vent-Fixed (OXXO) doors are not available with HurricaneShield impact-resistant glazing.



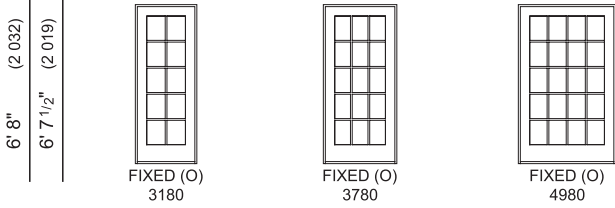
SLIDING PATIO DOOR

6' 7-1/2" SIZE TABLES

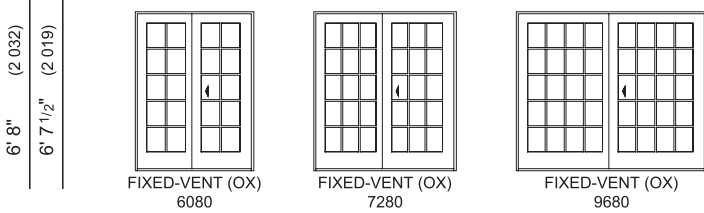
Aluminum-Clad Wood



Opening	2' 7 1/2" (800)	3' 1 1/2" (953)	4' 1 1/2" (1 257)
Frame	2' 6 3/4" (781)	3' 0 3/4" (933)	4' 0 3/4" (1 238)

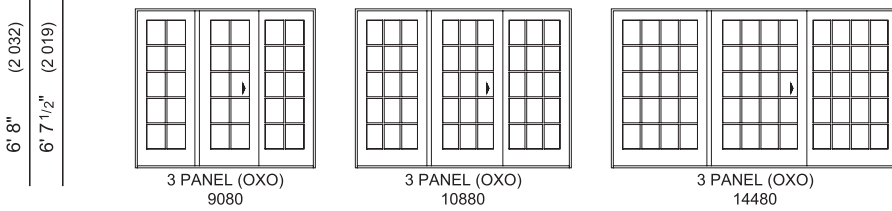


Opening	5' 0" (1 524)	6' 0" (1 829)	8' 0" (2 438)
Frame	4' 11 1/4" (1 505)	5' 11 1/4" (1 810)	7' 11 1/4" (2 419)

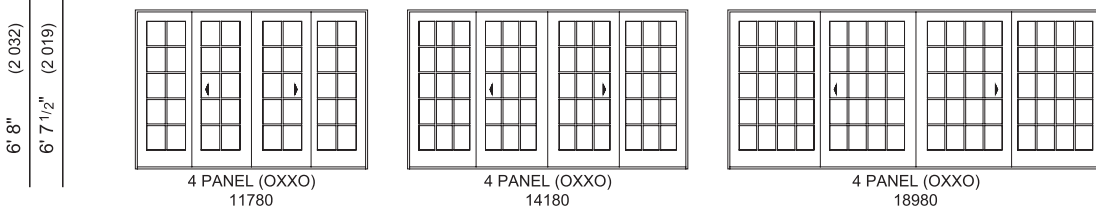


Door sizes above are available in HurricaneShield® Impact-Resistant Glazing.

Opening	7' 6 3/4" (2 305)	9' 0 3/4" (2 762)	12' 0 3/4" (3 677)
Frame	7' 6" (2 286)	9' 0" (2 743)	12' 0" (3 658)



Opening	9' 8 7/8" (2 969)	11' 8 7/8" (3 578)	15' 8 7/8" (4 797)
Frame	9' 8 1/8" (2 950)	11' 8 1/8" (3 559)	15' 8 1/8" (4 778)



Not to scale.

Traditional grille patterns shown. Refer to Clad/Wood Overview section for additional patterns and profiles.

All doors are glazed with tempered glass.

Two panel doors—Fixed-Vent (OX), right panel opens, left panel is fixed. Units open in the direction of the arrow as viewed from the exterior.

Vent-Fixed (XO) doors are also available.

Fixed-Vent-Fixed (OXO) doors also available as OOX and XOO combinations.

For windows and patio doors with HurricaneShield® impact-resistant glass, see product instructions or refer to local building code requirements.



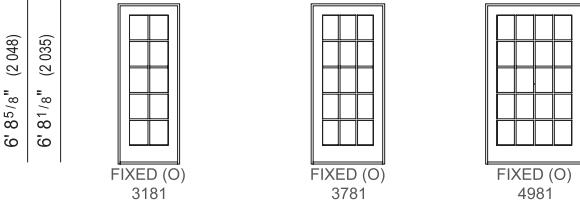
SLIDING PATIO DOOR

6' 8" SIZE TABLES

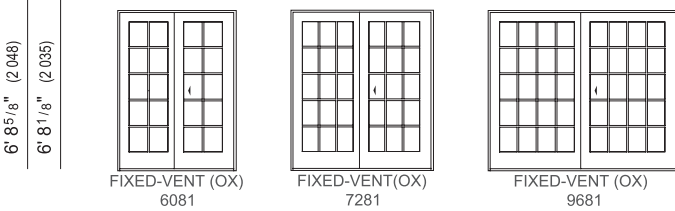
Aluminum-Clad Wood



Opening	2' 7 1/2" (800)	3' 1 1/2" (953)	4' 1 1/2" (1 257)
Frame	2' 6 3/4" (781)	3' 0 3/4" (933)	4' 0 3/4" (1 238)

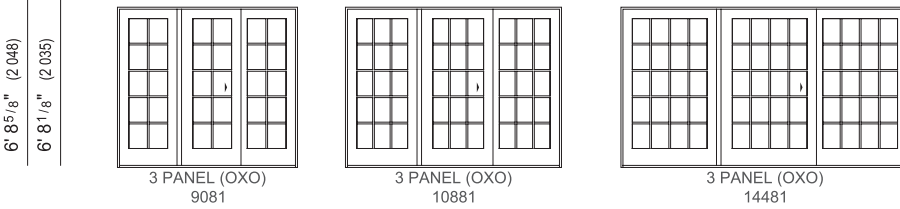


Opening	5' 0" (1 524)	6' 0" (1 829)	8' 0" (2 438)
Frame	4' 11 1/4" (1 505)	5' 11 1/4" (1 810)	7' 11 1/4" (2 419)

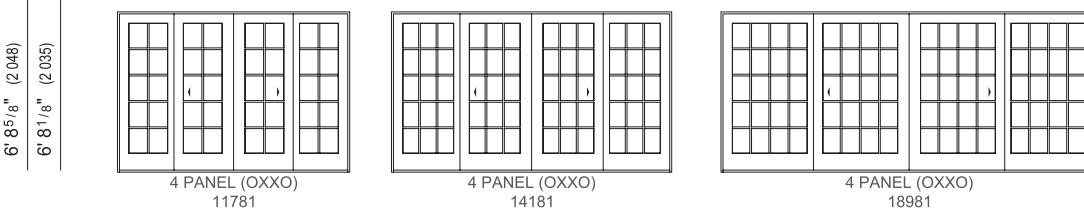


Door sizes above are available in HurricaneShield® Impact-Resistant Glazing.

Opening	7' 6 3/4" (2 305)	9' 0 3/4" (2 762)	12' 0 3/4" (3 677)
Frame	7' 6" (2 286)	9' 0" (2 743)	12' 0" (3 658)



Opening	9' 8 7/8" (2 969)	11' 8 7/8" (3 578)	15' 8 7/8" (4 797)
Frame	9' 8 1/8" (2 950)	11' 8 1/8" (3 559)	15' 8 1/8" (4 778)



Not to scale.
Traditional grille patterns shown. Refer to Clad/Wood Overview section for additional patterns and profiles.
All doors are glazed with tempered glass.
Two panel doors—Fixed-Vent (OX), right panel opens, left panel is fixed. Units open in the direction of the arrow as viewed from the exterior.

Vent-Fixed (XO) doors are also available.
Fixed-Vent-Fixed (OXO) doors also available as OOX and XOO combinations.
For windows and patio doors with HurricaneShield® impact-resistant glass, see product instructions or refer to local building code requirements.



SLIDING PATIO DOOR

6' 10" SIZE TABLES

Aluminum-Clad Wood



Opening	2' 7 1/2" (800)	3' 1 1/2" (953)	4' 1 1/2" (1 257)	
	Frame	2' 6 3/4" (781)	3' 0 3/4" (933)	4' 0 3/4" (1 238)
6' 10" (2 083)	6' 9 1/2" (2 070)			
		FIXED (O) 3182	FIXED (O) 3782	FIXED (O) 4982
Opening	5' 0" (1 524)	6' 0" (1 829)	8' 0" (2 438)	
	Frame	4' 11 1/4" (1 505)	5' 11 1/4" (1 810)	7' 11 1/4" (2 419)
6' 10" (2 083)	6' 9 1/2" (2 070)			
		FIXED-VENT (OX) 6082	FIXED-VENT (OX) 7282	FIXED-VENT (OX) 9682

Door sizes above are available in HurricaneShield® Impact-Resistant Glazing.

Opening	7' 6 3/4" (2 305)	9' 0 3/4" (2 762)	12' 0 3/4" (3 677)	
	Frame	7' 6" (2 286)	9' 0" (2 743)	12' 0" (3 658)
6' 10" (2 083)	6' 9 1/2" (2 070)			
		3 PANEL (OXO) 9082	3 PANEL (OXO) 10882	3 PANEL (OXO) 14482

Opening	9' 8 7/8" (2 969)	11' 8 7/8" (3 578)	15' 8 7/8" (4 797)	
	Frame	9' 8 1/8" (2 950)	11' 8 1/8" (3 559)	15' 8 1/8" (4 778)
6' 10" (2 083)	6' 9 1/2" (2 070)			
		4 PANEL (OXXO) 11782	4 PANEL (OXXO) 14182	4 PANEL (OXXO) 18982

Not to scale.
 Traditional grille patterns shown. Refer to Clad/Wood Overview section for additional patterns and profiles.
 All doors are glazed with tempered glass.
 Two panel doors—Fixed-Vent (OX), right panel opens, left panel is fixed. Units open in the direction of the arrow as viewed from the exterior.
 Vent-Fixed (XO) doors are also available.

Fixed-Vent-Fixed (OXO) doors also available as OOX and XO combinations.
 For windows and patio doors with HurricaneShield® impact-resistant glass, see product instructions or refer to local building code requirements.



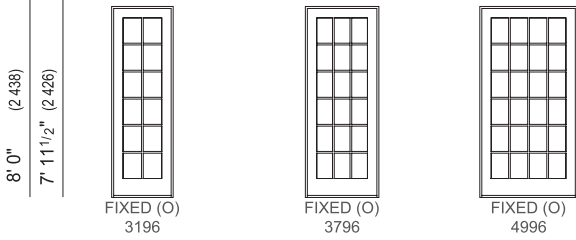
SLIDING PATIO DOOR

8' 0" SIZE TABLES

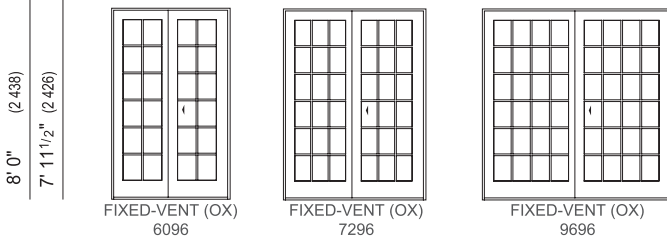
Aluminum-Clad Wood



Opening	2' 7 1/2" (800)	3' 1 1/2" (953)	4' 1 1/2" (1 257)
Frame	2' 6 3/4" (781)	3' 0 3/4" (933)	4' 0 3/4" (1 238)

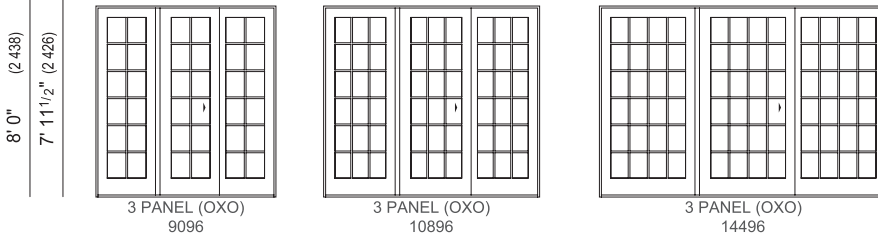


Opening	5' 0" (1 524)	6' 0" (1 829)	8' 0" (2 438)
Frame	4' 11 1/4" (1 505)	5' 11 1/4" (1 810)	7' 11 1/4" (2 419)

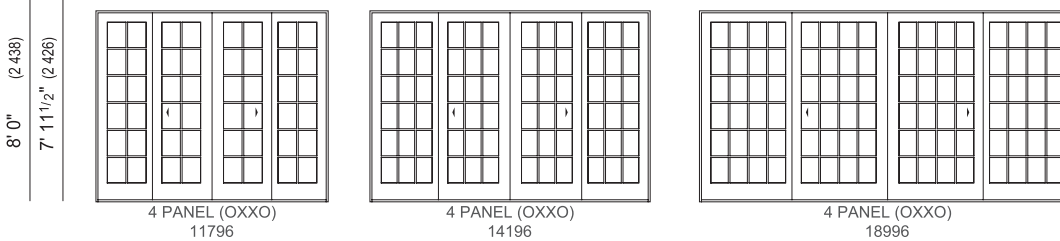


Door sizes above are available in HurricaneShield® Impact-Resistant Glazing.

Opening	7' 6 3/4" (2 305)	9' 0 3/4" (2 762)	12' 0 3/4" (3 677)
Frame	7' 6" (2 286)	9' 0" (2 743)	12' 0" (3 658)



Opening	9' 8 7/8" (2 969)	11' 8 7/8" (3 578)	15' 8 7/8" (4 797)
Frame	9' 8 1/8" (2 950)	11' 8 1/8" (3 559)	15' 8 1/8" (4 778)



Not to scale.
Traditional grille patterns shown. Refer to Clad/Wood Overview section for additional patterns and profiles.
All doors are glazed with tempered glass.
Two panel doors—Fixed-Vent (OX), right panel opens, left panel is fixed.
Units open in the direction of the arrow as viewed from the exterior.
Vent-Fixed (XO) doors are also available.

Fixed-Vent-Fixed (OXO) doors also available as OOX and XO combinations.

For windows and patio doors with HurricaneShield® impact-resistant glass, see product instructions or refer to local building code requirements.



SLIDING PATIO DOOR

TRANSOM SIZE TABLES

Aluminum-Clad Wood



Wide Stile Transoms

	Opening	2' 7 1/2" (800)	3' 1 1/2" (953)	4' 1 1/2" (1 257)	5' 0" (1 524)	6' 0" (1 829)	8' 0" (2 438)
	Frame	2' 6 3/4" (781)	3' 0 3/4" (933)	4' 0 3/4" (1 238)	4' 11 1/4" (1 505)	5' 11 1/4" (1 810)	7' 11 1/4" (2 419)
(451) (432)	1' 5 3/4"						
	1' 5"						
(654) (635)	2' 1 3/4"						
	2' 1"						

Standard Stile Transoms

	Opening	2' 7 1/2" (800)	3' 1 1/2" (953)	4' 1 1/2" (1 257)	5' 0" (1 524)	6' 0" (1 829)	8' 0" (2 438)
	Frame	2' 6 3/4" (781)	3' 0 3/4" (933)	4' 0 3/4" (1 238)	4' 11 1/4" (1 505)	5' 11 1/4" (1 810)	7' 11 1/4" (2 419)
(451) (432)	1' 5 3/4"						
	1' 5"						
(654) (635)	2' 1 3/4"						
	2' 1"						

Fixed Frame Direct Set Transoms

	Opening	2' 7 1/2" (800)	3' 1 1/2" (953)	4' 1 1/2" (1 257)	5' 0" (1 524)	6' 0" (1 829)	8' 0" (2 438)
	Frame	2' 6 3/4" (781)	3' 0 3/4" (933)	4' 0 3/4" (1 238)	4' 11 1/4" (1 505)	5' 11 1/4" (1 810)	7' 11 1/4" (2 419)
(451) (432)	1' 5 3/4"						
	1' 5"						
(654) (635)	2' 1 3/4"						
	2' 1"						

Special Size Frame Dimensions¹

DOOR TYPE	FRAME WIDTH		FRAME HEIGHT	
	Minimum	Maximum	Minimum	Maximum
O	30-3/4"	48-3/4"	74"	95-1/2"
OX, XO	59-1/4"	95-1/4"	74"	95-1/2"
O XO	90"	144"	74"	95-1/2"
O X XO	116-1/8"	188-1/8"	74"	95-1/2"

Not to scale.

(1) Available within size range shown.

Keep frame dimensions to the nearest 1/8" increment.



SLIDING PATIO DOOR

DESIGN DATA

Aluminum-Clad Wood



SLIDING FRENCH DESIGN DATA

	Unit	Venting	Clear Opening		Vent Area Ft ²	Visible Glass Ft ²	Standard Glass Thickness (mm) Tempered	Performance Class & Grade ⁽¹⁾
			Width (Inches)	Height (Inches)				
6' 7-1/2" DOORS	3180	○	–	–	–	8.6	3	R75
	3780	○	–	–	–	11.2	3	R75
	4980	○	–	–	–	16.6	3	R75
	6080	OX, XO	22-3/8	75-3/8	11.7	17.2	3	R70
	7280	OX, XO	28-3/8	75-3/8	14.8	22.5	3	R70
	9680	OX, XO	40-3/8	75-3/8	21.1	33.3	3	R65
	9080	OXO	22-3/8	75-3/8	11.7	25.8	3	R40
	10880	OXO	28-3/8	75-3/8	14.8	33.8	3	R40
	14480	OXO	40-3/8	75-3/8	21.1	49.9	3	R40
	11780	OXXO	44-5/16	75-3/8	23.1	34.4	3	R20
	14180	OXXO	56-5/16	75-3/8	29.4	45.1	3	R20
	18980	OXXO	80-5/16	75-3/8	42.0	66.5	3	R20
6' 8" DOORS	3181	○	–	–	–	8.7	3	R75
	3781	○	–	–	–	11.4	3	R75
	4981	○	–	–	–	16.8	3	R75
	6081	OX, XO	22-3/8	76	11.8	17.4	3	R70
	7281	OX, XO	28-3/8	76	15.0	22.8	3	R70
	9681	OX, XO	40-3/8	76	21.3	33.6	3	R65
	9081	OXO	22-3/8	76	11.8	26.2	3	R40
	10881	OXO	28-3/8	76	15.0	34.3	3	R40
	14481	OXO	40-3/8	76	21.3	50.5	3	R40
	11781	OXXO	44-5/16	76	23.4	34.9	3	R20
	14181	OXXO	56-5/16	76	29.7	45.7	3	R20
	18981	OXXO	80-5/16	76	42.4	67.3	3	R20
6' 10" DOORS	3182	○	–	–	–	8.9	3	R75
	3782	○	–	–	–	11.7	3	R75
	4982	○	–	–	–	17.2	3	R75
	6082	OX, XO	22-3/8	77-3/8	12.0	17.8	3	R70
	7282	OX, XO	28-3/8	77-3/8	15.2	23.3	3	R70
	9682	OX, XO	40-3/8	77-3/8	21.7	34.4	3	R65
	9082	OXO	22-3/8	77-3/8	12.0	26.7	3	R40
	10882	OXO	28-3/8	77-3/8	15.2	35.0	3	R40
	14482	OXO	40-3/8	77-3/8	21.7	51.6	3	R40
	11782	OXXO	44-5/16	77-3/8	23.8	35.6	3	R20
	14182	OXXO	56-5/16	77-3/8	30.3	46.7	3	R20
	18982	OXXO	80-5/16	77-3/8	43.2	68.7	3	R20
8' 0" DOORS	3196	○	–	–	–	10.8	3	R75
	3796	○	–	–	–	14.1	3	R75
	4996	○	–	–	–	20.8	4	R75
	6096	OX, XO	22-3/8	91-3/8	14.2	21.6	3	R70
	7296	OX, XO	28-3/8	91-3/8	18.0	28.3	3	R70
	9696	OX, XO	40-3/8	91-3/8	25.6	41.6	4	R55
	9096	OXO	22-3/8	91-3/8	14.2	32.4	3	R40
	10896	OXO	28-3/8	91-3/8	18.0	42.4	3	R40
	14496	OXO	40-3/8	91-3/8	25.6	62.4	4	R40
	11796	OXXO	44-5/16	91-3/8	28.1	43.1	3	R20
	14196	OXXO	56-5/16	91-3/8	35.7	56.5	3	R20
	18996	OXXO	80-5/16	91-3/8	51	83.3	4	R20

TRANSOMS

	Unit	Visible Glass Ft ²	Standard Glass Thickness (mm)		Performance Class & Grade ⁽¹⁾
			Annealed	Tempered	
FIXED FRAME DIRECT SET	3117	2.7	3	3	CW50
	3125	4.2	3	3	CW50
	3717	3.3	3	3	CW50
	3725	5.2	3	3	CW50
	4917	4.4	3	3	CW50
	4925	7.0	3	3	CW50
	6017	5.5	3	3	CW50
	6025	8.6	3	3	CW50
	7217	6.6	3	3	CW40
	7225	10.4	3	3	CW40
	9617	9.0	–	4	CW40
	9625	14.1	4	4	CW40
FIXED CASEMENT	3117	2.0	3	3	R50
	3125	3.3	3	3	R50
	3717	2.4	3	3	R50
	3725	4.1	3	3	R50
	4917	3.4	3	3	R50
	4925	5.7	3	3	R50
	6017	4.2	3	3	R50
	6025	7.2	3	3	R50
	7217	5.1	–	3	R15*
	7225	8.8	3	3	R15*
	9617T	7.0	–	4	R15*
	9625	12.0	4	4	R15*
WIDE STILE CASEMENT	3117	1.4	3	3	R15*
	3125	2.4	3	3	R15*
	3717	1.9	3	3	R15*
	3725	3.2	3	3	R15*
	4917	2.8	3	3	R15*
	4925	4.8	3	3	R15*
	6017	3.6	3	3	R15*
	6025	6.2	3	3	R15*
	7217	4.6	3	3	R15*
	7225	7.8	3	3	R15*
	9617T	6.4	–	4	R15*
	9625	11.0	4	4	R15*

(-) = Not Applicable

(1) Maximum performance when glazed with the appropriate glass thickness. All doors are glazed with tempered glass.

Fixed-Vent-Fixed (OXO) doors also available as OOX and XO combinations.

*Units with a Performance Class and Grade of R15, are not AAMA/WDMA performance certified. Units are engineered to meet the performance class and grade shown.

To convert areas to square meters (m²), multiply square feet by 0.0929.



SLIDING PATIO DOOR

DESIGN DATA

Aluminum EnduraClad® and Wood Exterior

**Miscellaneous Formulas**

DOORS		
	WIDTH	HEIGHT
VISIBLE GLASS	Width of O = Frame - 11-7/16" Width of OX, XO = (Frame - 20-5/8") / 2 Width of OXO = (Frame - 32-1/16") / 3 Width of OXXO = (Frame - 38-7/8") / 4	Height = Frame - 15-1/4"
ACTUAL GLASS	Width of O = Frame - 10-1/4" Width of OX, XO = (Frame - 18-1/4") / 2 Width of OXO = (Frame - 28-1/2") / 3 Width of OXXO = (Frame - 34-1/8") / 4	Height = Frame - 14"
CLEAR OPENING	Width of OX, XO = (Frame - 14-1/2") / 2 Width of OXO = (Frame - 22-7/8") / 3 Width of OXXO = (Frame - 27-1/2") / 2	Height = Frame - 4-1/8"

TRANSOMS		
	VISIBLE GLASS	ACTUAL GLASS
FIXED FRAME DIRECT SET	Width = Frame - 2" Height = Frame - 2"	Width = Frame - 1" Height = Frame - 1"
FIXED CASEMENT	Width = Frame - 5-3/4" Height = Frame - 5-3/4"	Width = Frame - 4-3/8" Height = Frame - 4-3/8"
WIDE STILE CASEMENT	Width = Frame - 12-3/4" Height = Frame - 5-3/4"	Width = Frame - 10-1/4" Height = Frame - 4-3/8"

To convert areas to square meters (m²), multiply square feet by 0.0929.



SLIDING PATIO DOOR

DETAILED PRODUCT DESCRIPTIONS

Aluminum-Clad Wood



FRAME

- Select softwood, immersion treated with Pella's EnduraGuard® wood protection formula in accordance with WDMA I.S.-4. The EnduraGuard formula includes three active ingredients for protection against the effects of moisture, decay, stains from mold and mildew. Plus, an additional ingredient adds protection against termite damage.
- Interior exposed surfaces are [pine] [mahogany] [alder] [douglas fir] edge banded and veneered.
- Exterior surfaces are clad with aluminum at the head and jambs.
- Solid extruded aluminum sill with Brown EnduraClad® protective finish. [mahogany threshold for mahogany door] [oak threshold for [pine] [alder] [douglas fir] door].
- Optional factory-installed fold-out installation fins with flexible fin corners.
- Fin position will accommodate standard 4-9/16" (116 mm) wall depths.
- Frame depth is 5-7/8" (149 mm).
- Optional factory-applied jamb extensions available between 4-9/16" (116 mm) and 7-3/16" (183 mm) wall depths.

DOOR PANELS

- Select softwood, immersion treated with Pella's EnduraGuard® wood protection formula in accordance with WDMA I.S.-4. The EnduraGuard formula includes three active ingredients for protection against the effects of moisture, decay, stains from mold and mildew. Plus, an additional ingredient adds protection against termite damage.
- Interior exposed surfaces are veneered with [pine] [mahogany] [alder] [douglas fir].
- Exterior surfaces are clad with aluminum.
- Panel stiles have LVL core with finger-jointed edge bands on both sides and veneered on both faces.
- Panel rails are three-ply construction, randomly finger-jointed blocks laminated with water-resistant glue and veneered on both sides.
- Corners are secured with metal fasteners and structural adhesive.
- Panel thickness is 1-7/8" (48 mm).
- Vent panels have two adjustable permanently-sealed electroplated steel ball-bearing rollers with organic coating, set on stainless steel track, standard.
 - or -
- Two adjustable corrosion-resistant stainless steel ball-bearing rollers; out-of-unit option.

WEATHERSTRIPPING

- Dual-durometer extruded polymer with bulb at head, jamb and threshold. Corners are welded along perimeter of door panels.

GLAZING SYSTEM¹

- Quality fully-tempered float glass complying with ASTM C 1048.
- Silicone-glazed 5/8" dual-seal insulating glass [[clear] [[Advanced] [SunDefense™] [AdvancedComfort] [NaturalSun] Low-E coated, with argon] [[bronze] [gray] [green] Advanced Low-E coated, with argon]].
- Custom and high altitude glazing available.
 - or -
- Impact Resistant
 - Silicone-glazed 11/16" dual-seal impact-resistant insulating glass 2 [PVB. Laminated clear exterior light. Tempered interior light is [Advanced Low-E] [clear] [bronze] [gray] [green].
 - or -
 - Silicone-glazed 9/16" [SGP Low-E] [[SGP] laminated glass [clear] [bronze] [gray] [green]].

EXTERIOR

- Aluminum clad exteriors shall be finished with EnduraClad® protective finish, in a multi-step, baked-on finish.
- Color is [White] [Tan] [Brown] [Putty] [Feature 2] [Custom 2].
 - or -
- Aluminum clad exteriors shall be finished with EnduraClad Plus protective finish with 70% fluoropolymer resin in a multi-step, baked-on finish.
- Color is [White] [Tan] [Brown] [Putty] [Feature 2] [Custom 2].

INTERIOR

- [Unfinished, ready for site finishing] [factory primed with one coat acrylic latex] [factory prefinished [White] [Linen White] [Bright White] [stain 2]].

HARDWARE

- Interior handle and thumb lock finish is [Endura Hardware™ collection [Bright Brass] [Satin Nickel]] [baked enamel [Champagne] [White] [Brown]] [Oil-Rubbed Bronze].
- Exterior handle finish is baked enamel, color to match door exterior cladding.
- Keylock with Schlage® configured C-K keyway pinlock cylinder. Finish is [bright brass] [oil-rubbed bronze] [stainless steel].
- Multiple point lock hardware is electroplated steel with stainless steel strikes.
- The foot bolt has a [Champagne] [Brown] finish.
- Interior and exterior screen handle finish will match the interior door handle finish.

OPTIONAL PRODUCTS

Grilles

- Integral Light Technology®
 - Grilles are solid [7/8"] [1-1/4"] regular profile, with [Traditional] [Prairie] [Cross] [Top Row] [New England] [Victorian] patterns that are [Pine] [Mahogany] [Alder] [Douglas Fir].
 - Exterior surfaces are extruded aluminum to match door cladding.
 - Interior surfaces are [unfinished, ready for site finishing] [factory primed] [pine: factory prefinished [White] [Linen White] [Bright White] [stain 2]].
 - Grilles are adhered to both sides of the insulating glass with VHB acrylic adhesive tape and aligned with the non-glare spacer.
 - Insulating glass contains non-glare spacer grid between two panes of glass. Non-glare spacer is adhered to the glass (Non-glare spacer is not used with impact-resistant glass).
 - or -
- Grilles-Between-the-Glass³
 - Insulating glass contains 3/4" contoured aluminum grilles permanently installed between two panes of glass.
 - Patterns are [Traditional] [Prairie] [Cross] [Top Row]
 - Interior color is [White] [Tan 4] [Brown 4] [Putty 4] [Ivory] [Brickstone] [Harvest] [Cordovan].
 - Exterior color⁵ for [clear insulating glass is [White]] [Low-E insulating glass is [White] [Tan] [Brown] [Feature 2]].
 - or -

Removable Grilles

- [3/4" Regular] [1-1/4" Colonial] profile, with [Traditional] [Prairie] [Cross] [Top Row] patterns that are removable solid pine wood Grilles steel-pinned at joints and fitted to sash with steel clips and tacks.
- Interior [unfinished, ready for site finishing] [factory primed] [pine: factory prefinished [White] [Linen White] [Bright White] [stain 2]].
- Exterior [unfinished, ready for site finishing] [factory primed] [factory prefinished, finish color matched to exterior cladding⁵].

Screens

- InView™ screens
 - Vinyl-coated 18/18 mesh fiberglass screen cloth complying with SMA 1201, set in aluminum frame fitted to inside of door, supplied complete with all necessary hardware.
 - Self-closing screen assembly is top-hung on two adjustable nylon rollers installed on room side of door panels.
 - Screen frame exterior is painted to match exterior color.
 - Screen frame interior is [pine] [mahogany] [alder] [douglas fir] veneer wrapped over extruded aluminum [Unfinished] [prefinished to match door 6].
 - or -

Rolscreen® Retractable Screen

- Self-storing, rolling, black vinyl-coated 18/16 mesh fiberglass screen cloth complying with ASTM D 3656 and SMA 1201 mounted to fixed panel and covered by veneered aluminum.
- Cover finish is [factory prefinished paint] [[pine] [mahogany] veneer wrapped over extruded aluminum with factory prefinished [stain 2] [paint 2]].
- Available on two- and three-panel sliding patio doors.

(1) Insulating glass with argon is Low-E coated. All other insulating glass is air-filled.

(2) Contact your local Pella sales representative for current color options.

(3) Available in clear or Low-E insulating glass only.

(4) Tan, Brown and Putty Interior GBG colors are available in single-tone (Putty/Putty, Brown/Brown or Tan/Tan) (Putty mono available spring 2015). Other interior colors are also available with Tan or Brown exterior.

(5) Appearance of exterior grille color will vary depending on Low-E coating on glass.

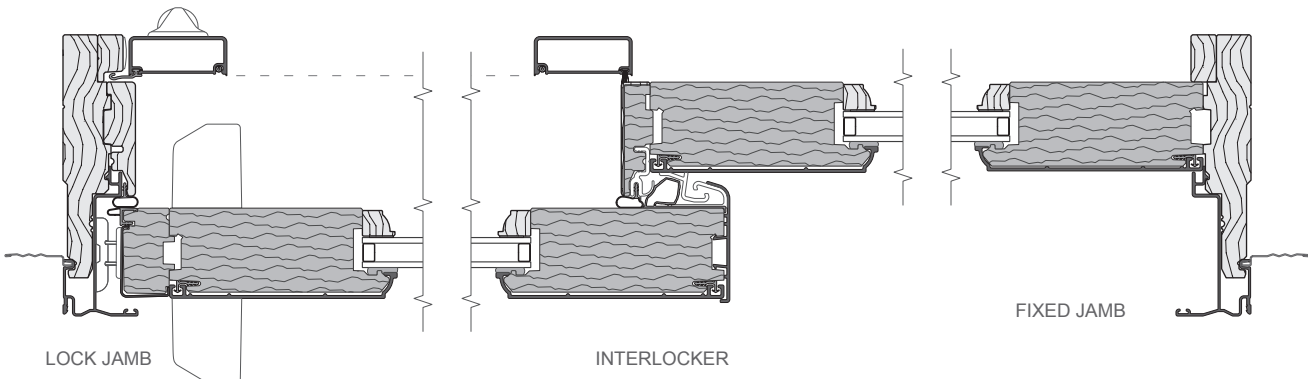
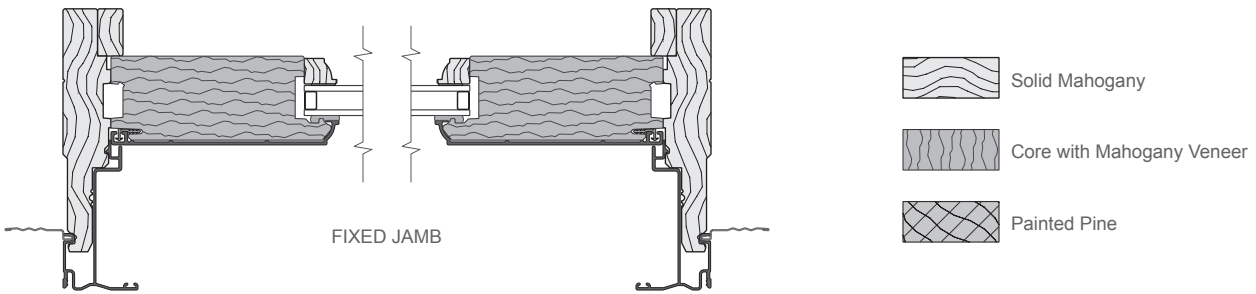
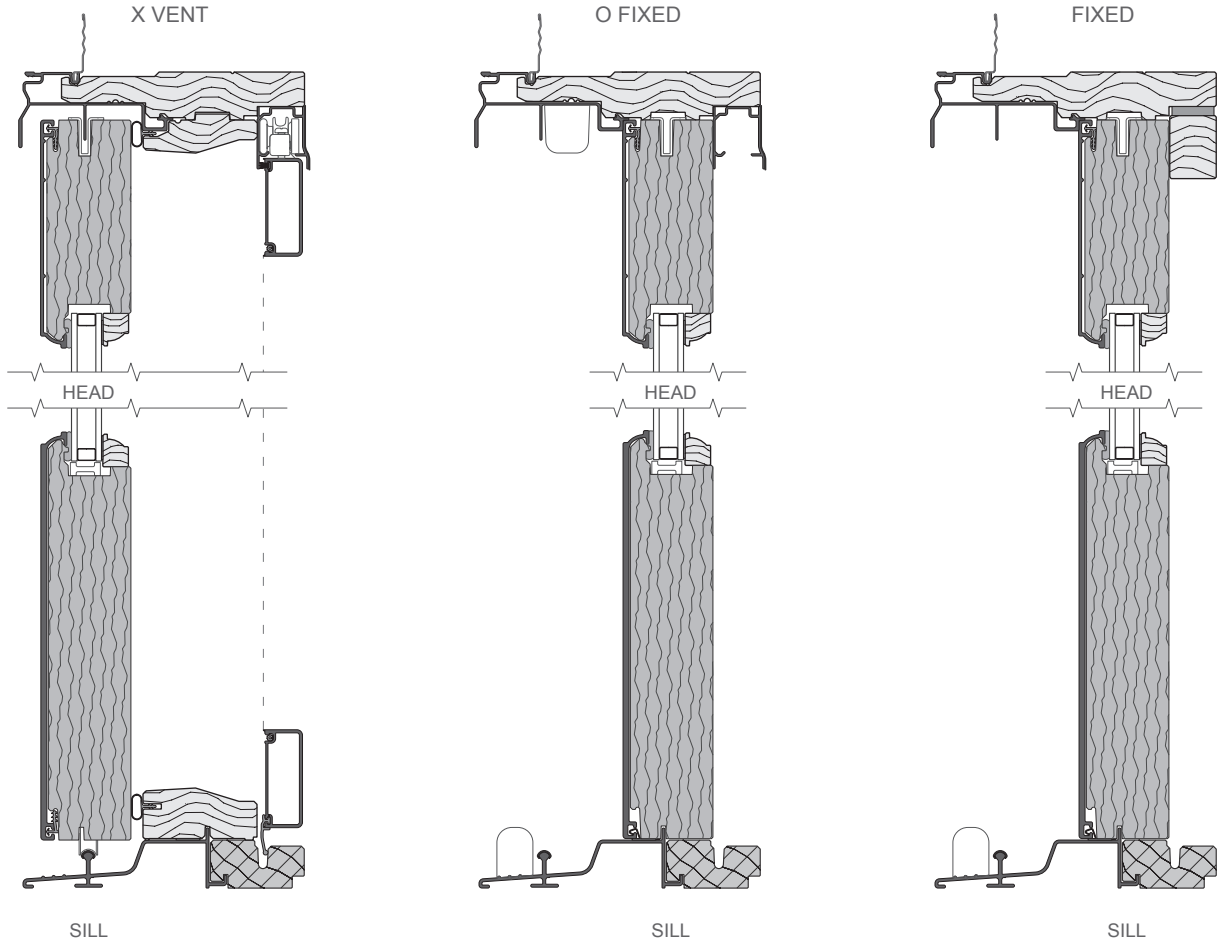
(6) Prefinished White interior screen frame is only available with White exterior finish.



SLIDING PATIO DOOR

UNIT SECTIONS

Aluminum-Clad Wood
Wood Collection



Scale 3" = 1' 0"

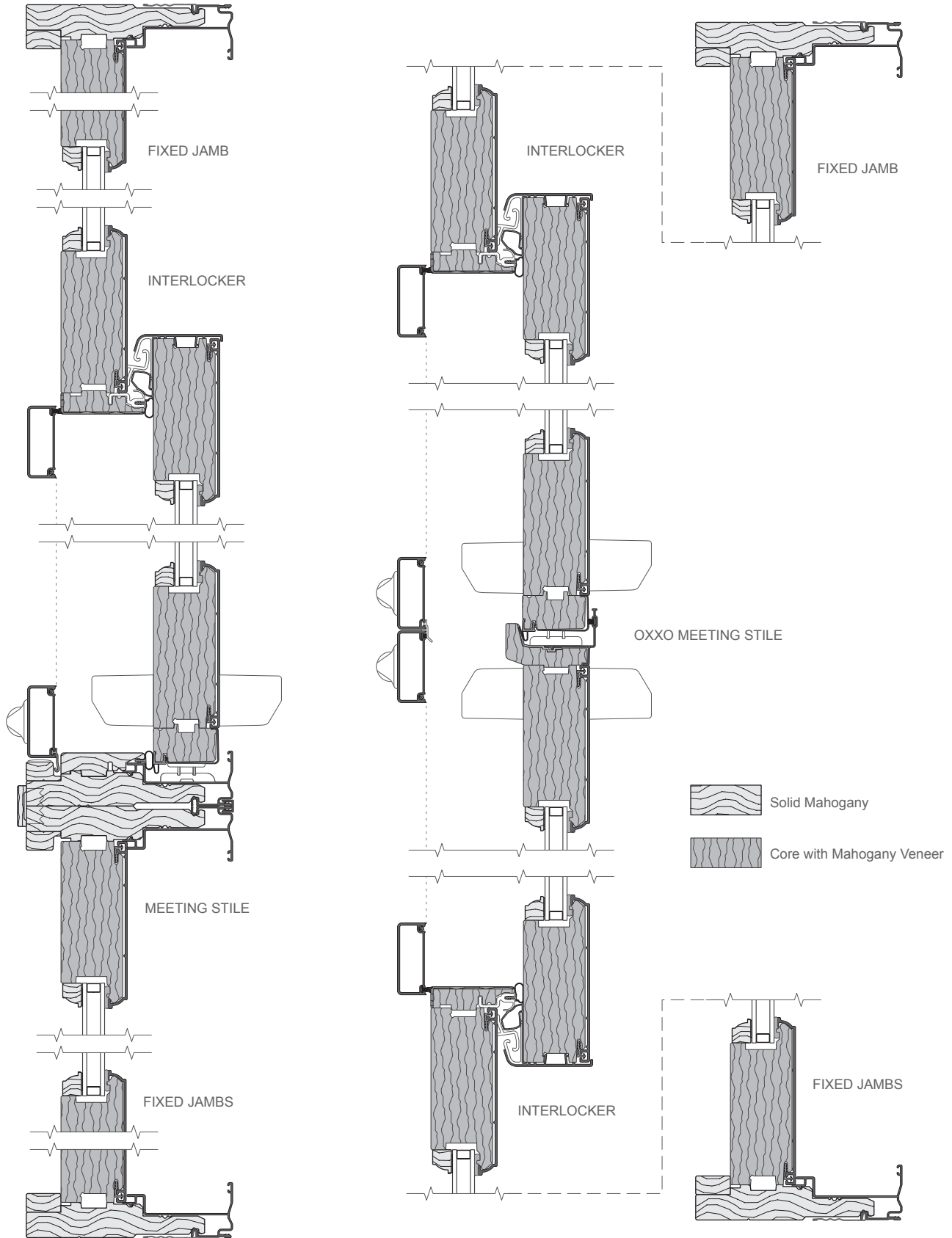
All dimensions are approximate.



SLIDING PATIO DOOR

UNIT SECTIONS

Aluminum-Clad Wood
Wood Collection



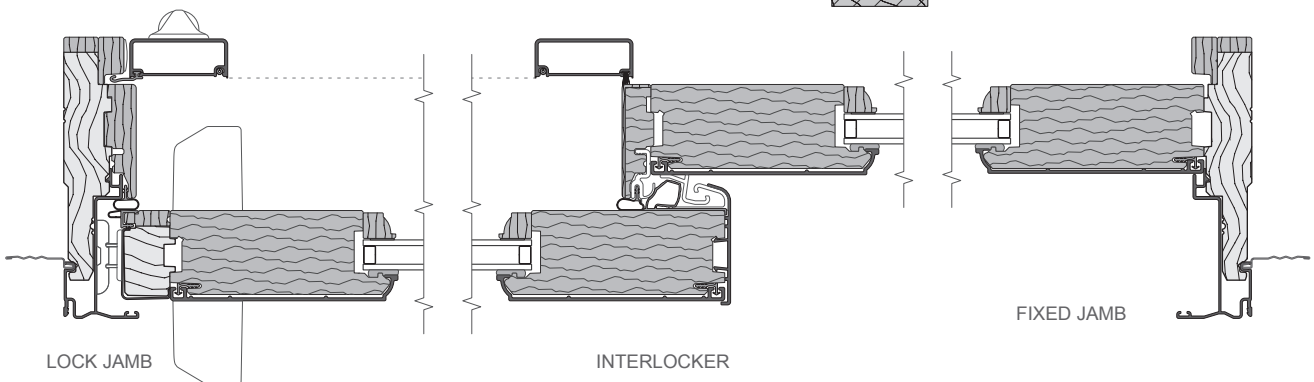
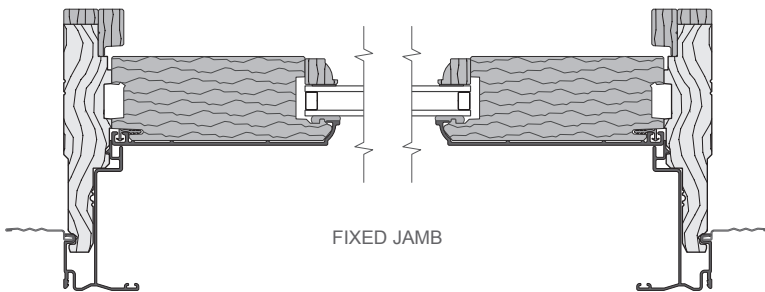
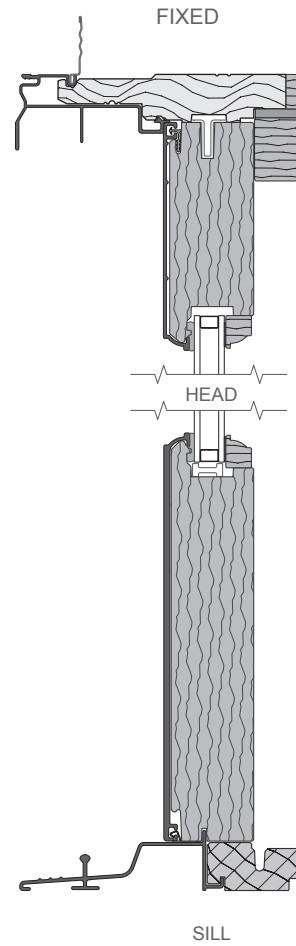
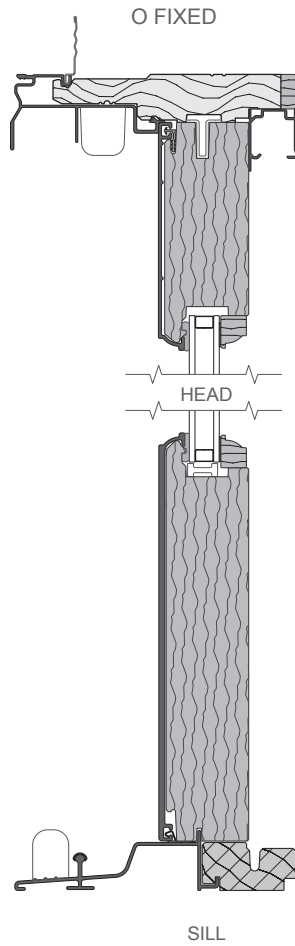
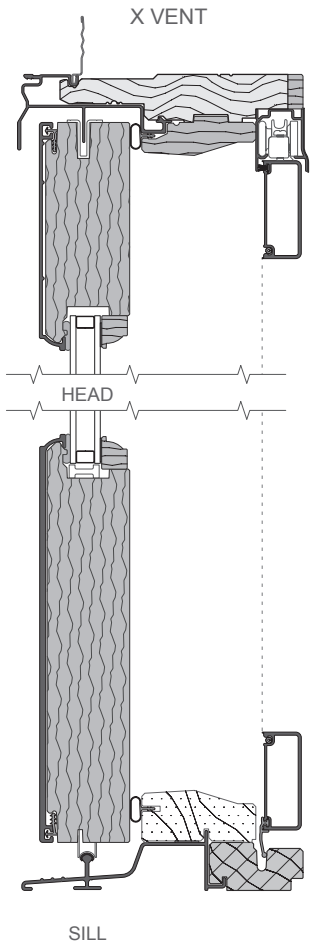
Scale 3" = 1' 0"
All dimensions are approximate.

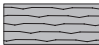



SLIDING PATIO DOOR

UNIT SECTIONS

Aluminum-Clad Wood
Wood Collection



-  Oak
-  Alder, Douglas Fir or Pine
-  Core with Alder, Douglas Fir or Pine Veneer
-  Solid Pine
-  Painted Pine

Scale 3" = 1' 0"

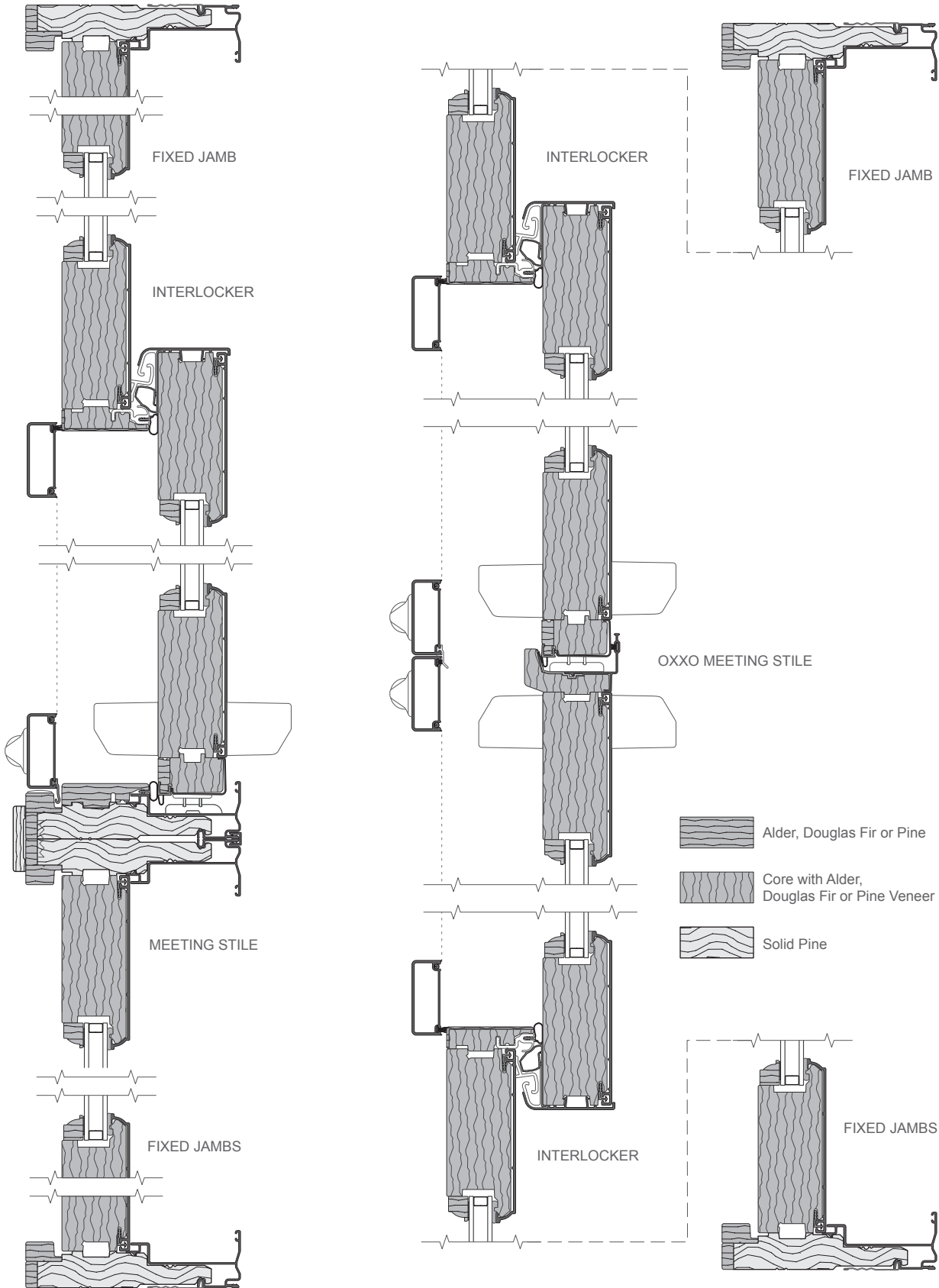
All dimensions are approximate.



SLIDING PATIO DOOR

UNIT SECTIONS

Aluminum-Clad Wood
Wood Collection

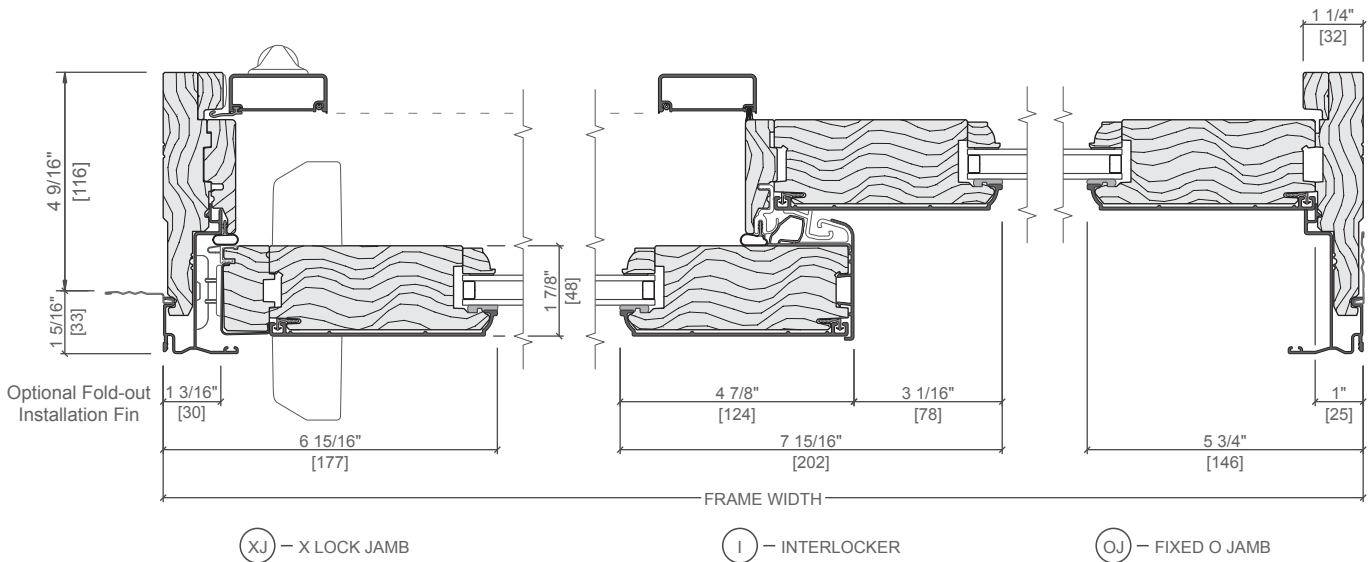
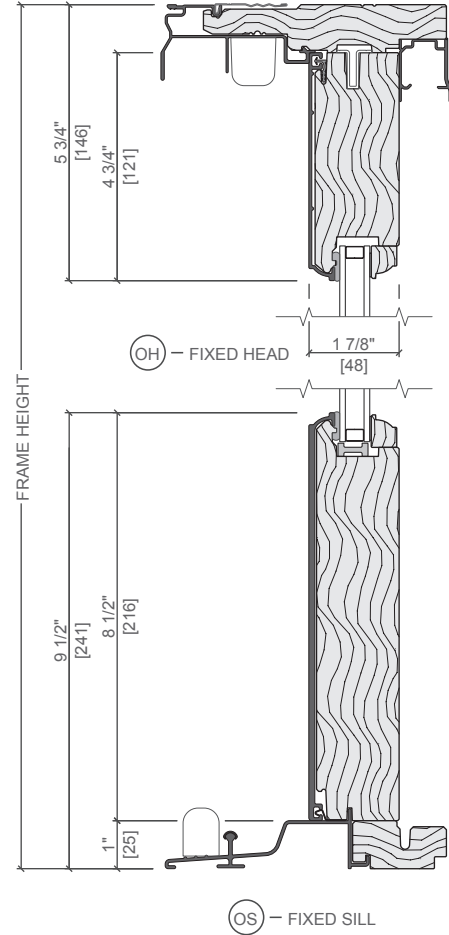
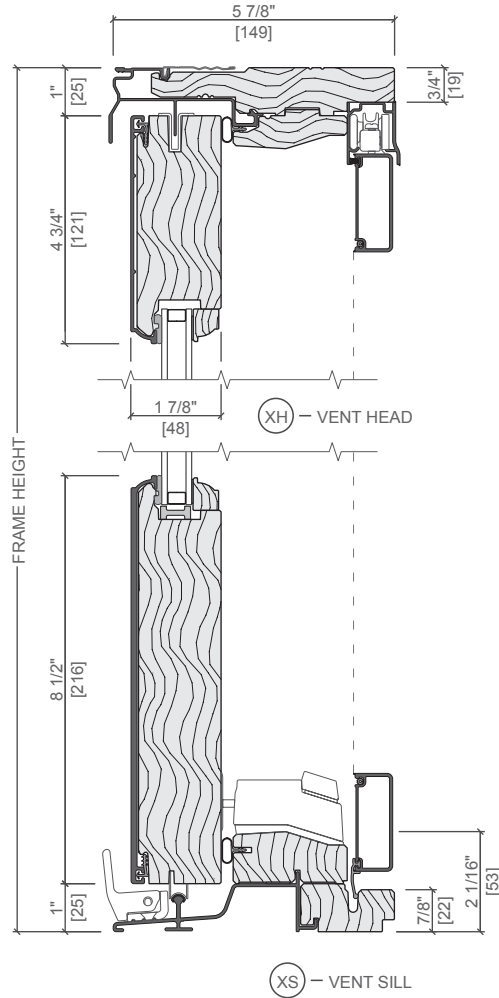
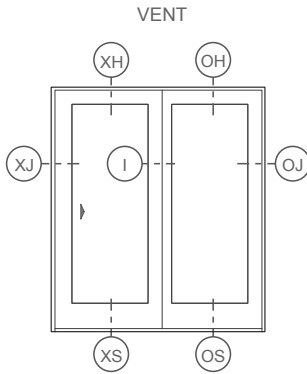


Scale 3" = 1' 0"
All dimensions are approximate.



SLIDING PATIO DOOR

UNIT SECTIONS
Aluminum-Clad Wood

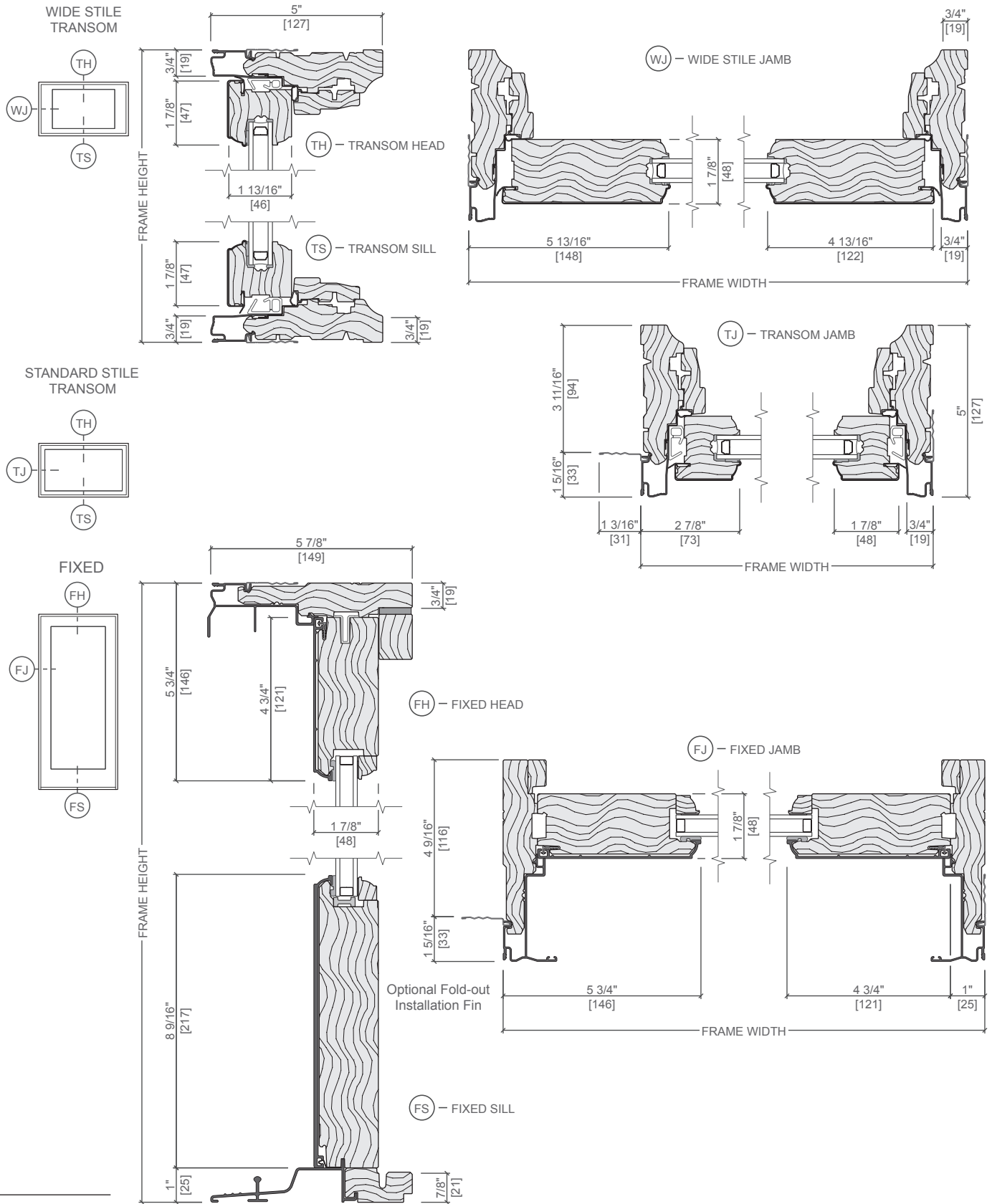


Scale 3" = 1' 0"
All dimensions are approximate.



SLIDING PATIO DOOR

UNIT SECTIONS
Aluminum-Clad Wood

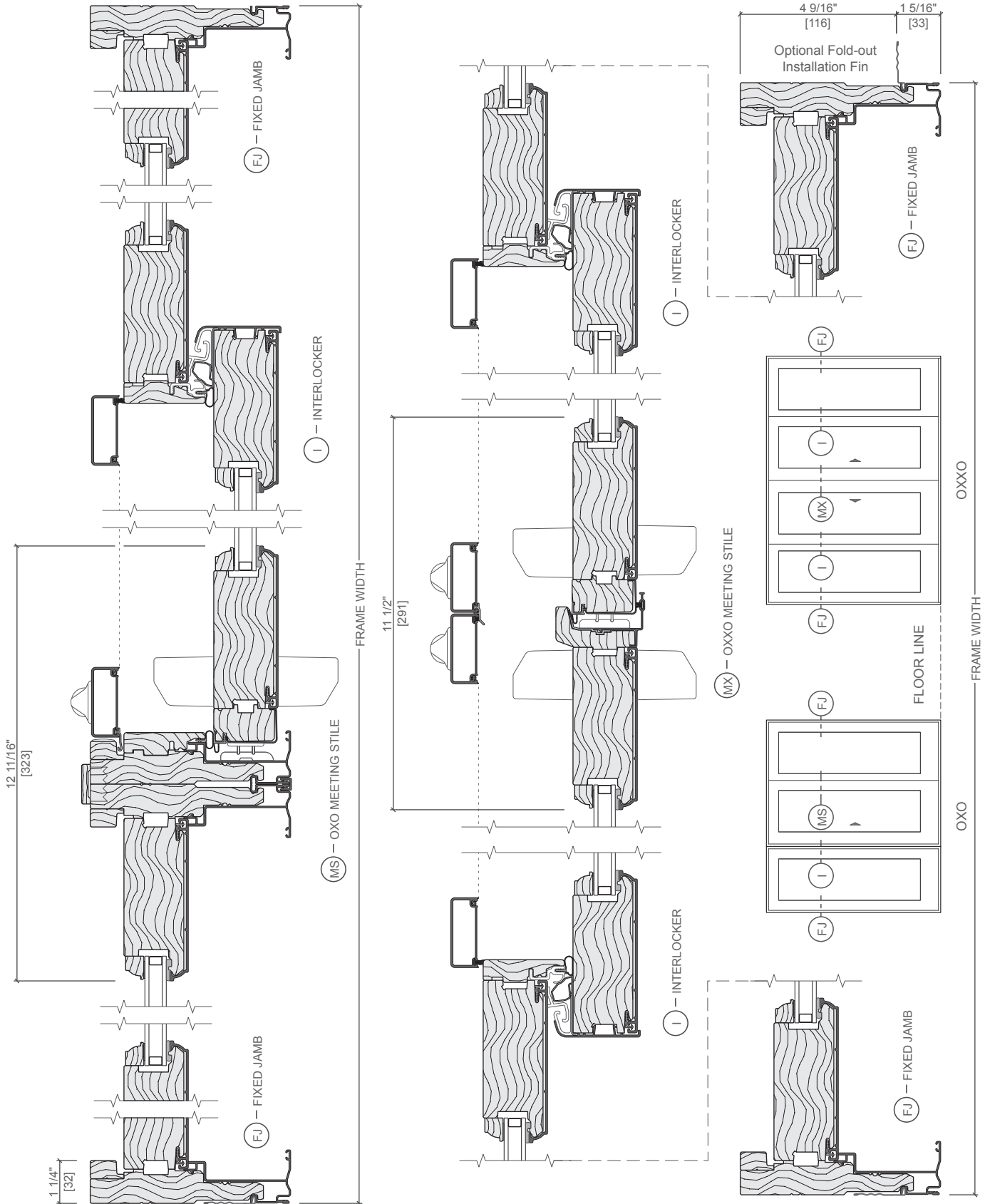


Scale 3" = 1' 0"
All dimensions are approximate.



SLIDING PATIO DOOR

UNIT SECTIONS
Aluminum-Clad Wood



Scale 3" = 1' 0"

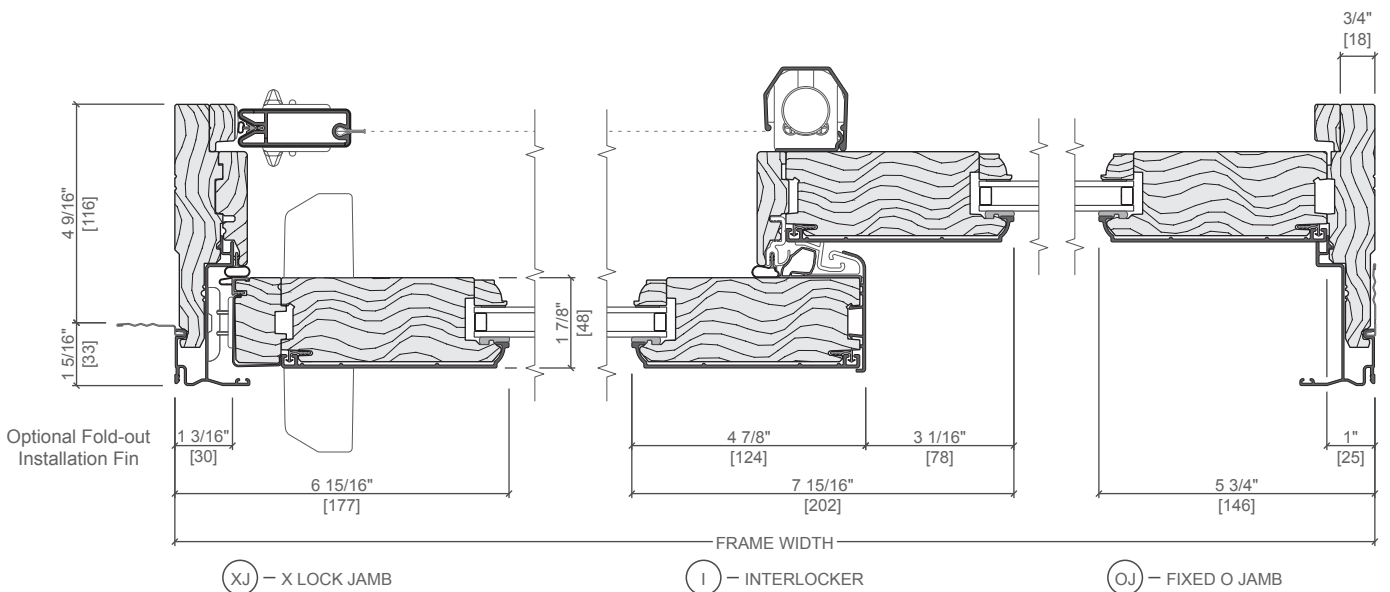
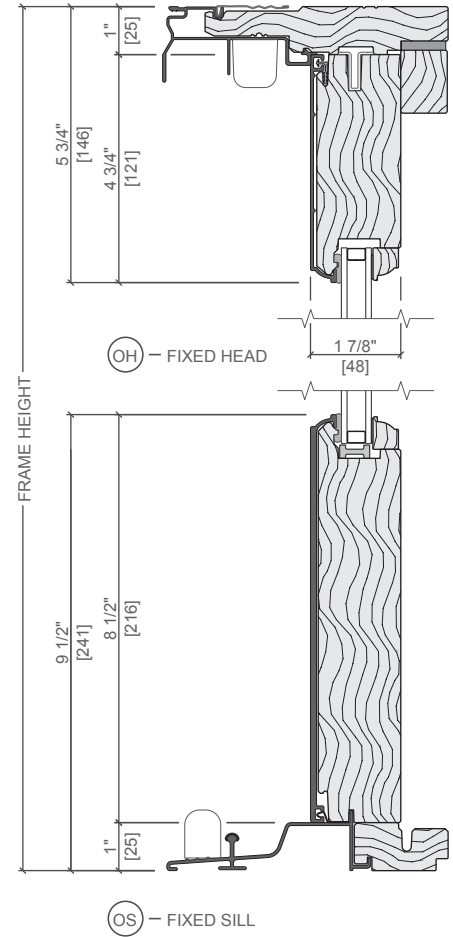
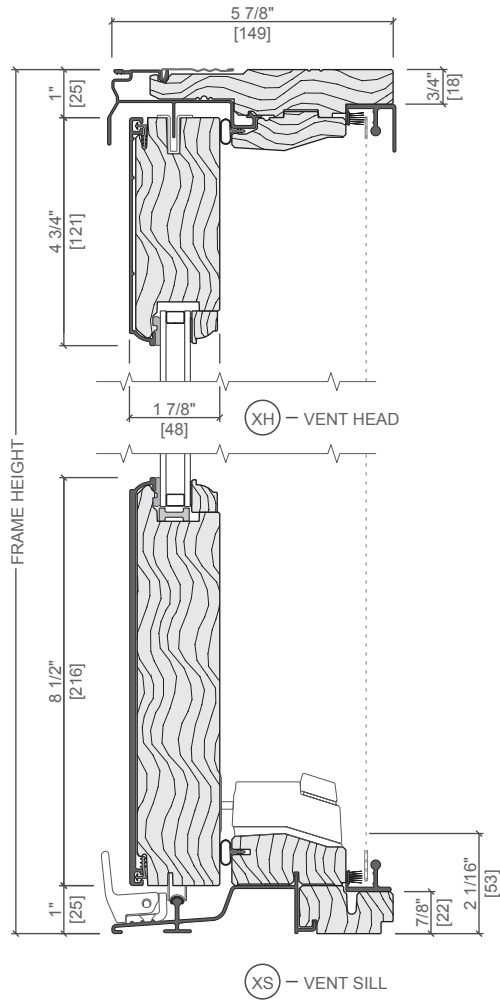
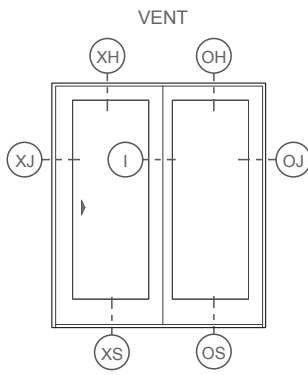
All dimensions are approximate.



SLIDING PATIO DOOR

UNIT SECTIONS

Aluminum-Clad Wood
 Rolscreen Retractable Screen



Scale 3" = 1' 0"
 All dimensions are approximate.

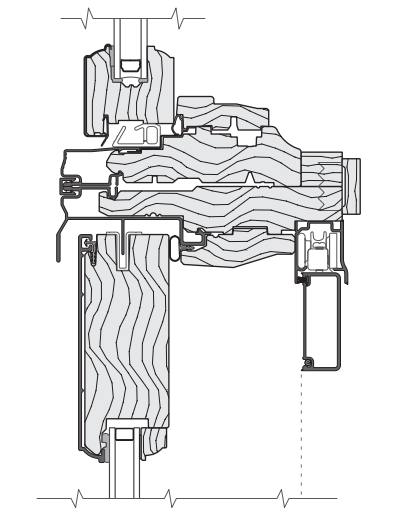
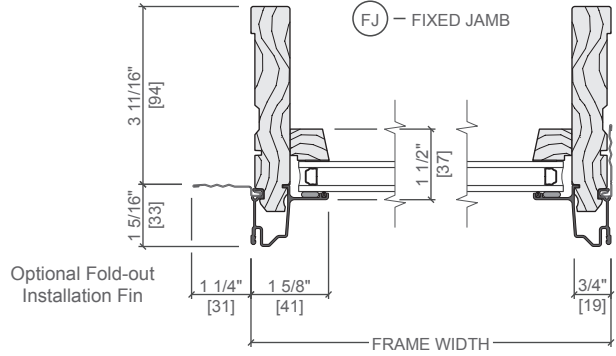
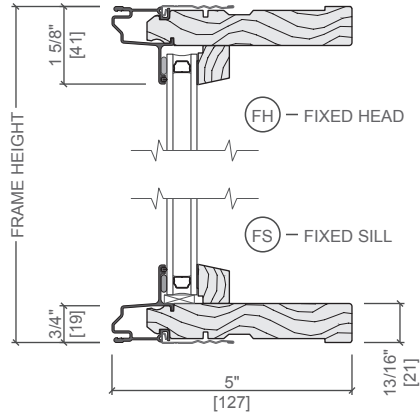
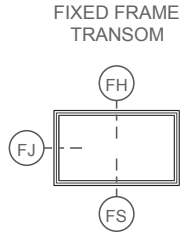


SLIDING PATIO DOOR

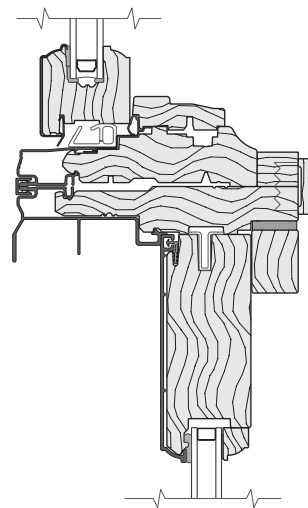
UNIT SECTIONS

Aluminum-Clad Wood

Fixed Frame Transom - Mullion Detail



HORIZONTAL JOINING MULLION
TRANSOM / SLIDING FRENCH DOOR (VENT)



HORIZONTAL JOINING MULLION
TRANSOM / SLIDING FRENCH DOOR (FIXED)

Scale 3" = 1' 0"

All dimensions are approximate.



SLIDING PATIO DOOR

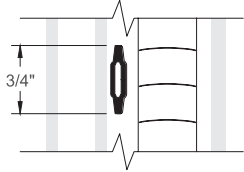
GRILLE TYPES

Typical Grille Profiles and Patterns

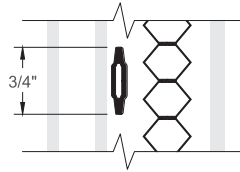


Grille Profiles

Removable Grilles Between-the-Glass



3/4" Triple-Pane with Slimshade Blind

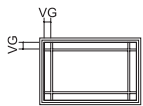


3/4" Triple-Pane with Cellular Fabric Shade

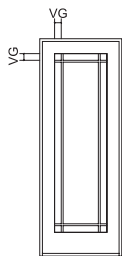
Grille Patterns

Removable Grilles-Between-the-Glass

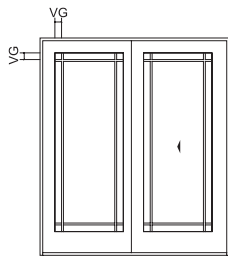
PRAIRIE LITE PATTERNS



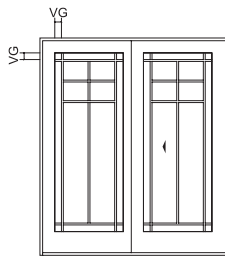
9-Lite Transom



9-Lite Fixed



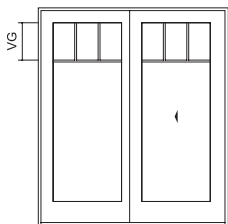
9-Lite



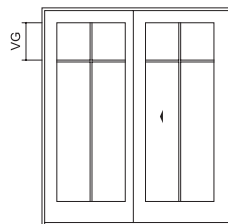
14-Lite

All fixed doors and transoms will have 9 lights.
9-Lite only available on units < 32" frame width.

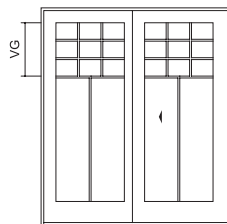
OTHER AVAILABLE PATTERNS



Top Row



Cross



New England

Top Row

- Standard visible glass to separator bar = 14" or half of total visible glass height, whichever is smaller.

Cross

- Standard visible glass to separator bar = one-quarter of total visible glass height.

New England

- Standard visible glass to separator bar = half of total visible glass height.

For traditional patterns, see size tables.

VG = Visible Glass

Lite dimensions noted can vary.

For size and pattern availability contact your local Pella sales representative.



SLIDING PATIO DOOR

6' 7-1/2" SIZE TABLES

Aluminum-Clad Wood



Opening	2' 7 1/2" (800)	3' 1 1/2" (953)	4' 1 1/2" (1 257)
Frame	2' 6 3/4" (781)	3' 0 3/4" (933)	4' 0 3/4" (1 238)

FIXED (O)
3180

FIXED (O)
3780

FIXED (O)
4980

Opening	5' 0" (1 524)	6' 0" (1 829)	8' 0" (2 438)
Frame	4' 11 1/4" (1 505)	5' 11 1/4" (1 810)	7' 11 1/4" (2 419)

FIXED-VENT (OX)
6080

FIXED-VENT (OX)
7280

FIXED-VENT (OX)
9680

Opening	7' 6 3/4" (2 305)	9' 0 3/4" (2 762)	12' 0 3/4" (3 677)
Frame	7' 6" (2 286)	9' 0" (2 743)	12' 0" (3 658)

3 PANEL (OXO)
9080

3 PANEL (OXO)
10880

3 PANEL (OXO)
14480

Opening	9' 8 7/8" (2 969)	11' 8 7/8" (3 578)	15' 8 7/8" (4 797)
Frame	9' 8 1/8" (2 950)	11' 8 1/8" (3 559)	15' 8 1/8" (4 778)

4 PANEL (OXXO)
11780

4 PANEL (OXXO)
14180

4 PANEL (OXXO)
18980

Not to scale.

Traditional grille patterns shown. Refer to Clad/Wood Overview section for additional patterns and profiles.

All doors are glazed with tempered glass.

Two panel doors—Fixed-Vent (OX), right panel opens, left panel is fixed. Units open in the

direction of the arrow as viewed from the exterior.

Vent-Fixed (XO) doors are also available.

Fixed-Vent-Fixed (OXO) doors also available as OOX and XOO combinations.




SLIDING PATIO DOOR

6' 8" SIZE TABLES


Aluminum-Clad Wood




Opening	2' 7 1/2" (800)	3' 1 1/2" (953)	4' 1 1/2" (1 257)
Frame	2' 6 3/4" (781)	3' 0 3/4" (933)	4' 0 3/4" (1 238)



FIXED (O)
3181

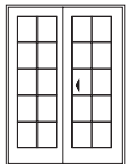


FIXED (O)
3781

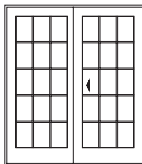


FIXED (O)
4981

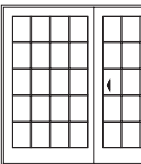
Opening	5' 0" (1 524)	6' 0" (1 829)	8' 0" (2 438)
Frame	4' 11 1/4" (1 505)	5' 11 1/4" (1 810)	7' 11 1/4" (2 419)



FIXED-VENT (OX)
6081

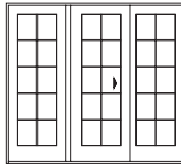


FIXED-VENT (OX)
7281

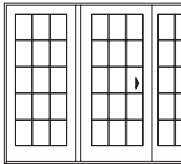


FIXED-VENT (OX)
9681

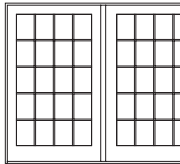
Opening	7' 6 3/4" (2 305)	9' 0 3/4" (2 762)	12' 0 3/4" (3 677)
Frame	7' 6" (2 286)	9' 0" (2 743)	12' 0" (3 658)



3 PANEL (OXO)
9081

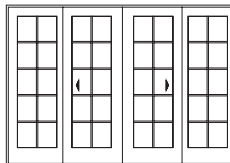


3 PANEL (OXO)
10881

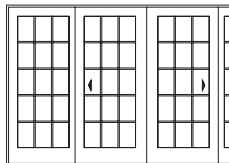


3 PANEL (OXO)
14481

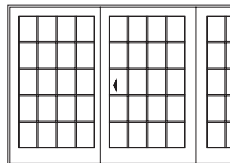
Opening	9' 8 7/8" (2 969)	11' 8 7/8" (3 578)	15' 8 7/8" (4 797)
Frame	9' 8 1/8" (2 950)	11' 8 1/8" (3 559)	15' 8 1/8" (4 778)



4 PANEL (OXXO)
11781



4 PANEL (OXXO)
14181



4 PANEL (OXXO)
18981

Not to scale.

Traditional grille patterns shown. Refer to Clad/Wood Overview section for additional patterns and profiles.

All doors are glazed with tempered glass.

Two panel doors—Fixed-Vent (OX), right panel opens, left panel is fixed. Units open in the direction of the arrow as viewed from the exterior.

Vent-Fixed (XO) doors are also available.

Fixed-Vent-Fixed (OXO) doors also available as OOX and XOO combinations.



6' 10" SIZE TABLES

Aluminum-Clad Wood



SLIDING PATIO DOOR

Opening	2' 7 ¹ / ₂ " (800)	3' 1 ¹ / ₂ " (953)	4' 1 ¹ / ₂ " (1257)
Frame	2' 6 ³ / ₄ " (781)	3' 0 ³ / ₄ " (933)	4' 0 ³ / ₄ " (1238)

FIXED (O)
3182

FIXED (O)
3782

FIXED (O)
4982

Opening	5' 0"	6' 0"	8' 0"
Frame	4' 11 ¹ / ₄ " (1505)	5' 11 ¹ / ₄ " (1810)	7' 11 ¹ / ₄ " (2419)

FIXED-VENT (OX)
6082

FIXED-VENT (OX)
7282

FIXED-VENT (OX)
9682

Opening	7' 6 ³ / ₄ " (2305)	9' 0 ³ / ₄ " (2762)	12' 0 ³ / ₄ " (3677)
Frame	7' 6"	9' 0"	12' 0"

3 PANEL (OXO)
9082

3 PANEL (OXO)
10882

3 PANEL (OXO)
14482

Opening	9' 8 ⁷ / ₈ " (2969)	11' 8 ⁷ / ₈ " (3578)	15' 8 ⁷ / ₈ " (4797)
Frame	9' 8 ¹ / ₈ " (2950)	11' 8 ¹ / ₈ " (3559)	15' 8 ¹ / ₈ " (4778)

4 PANEL (OXXO)
11782

4 PANEL (OXXO)
14182

4 PANEL (OXXO)
18982

Not to scale.

Traditional grille patterns shown. Refer to Clad/Wood Overview section for additional patterns and profiles.

All doors are glazed with tempered glass.

Two panel doors—Fixed-Vent (OX), right panel opens, left panel is fixed. Units open in

the direction of the arrow as viewed from the exterior.

Vent-Fixed (XO) doors are also available.

Fixed-Vent-Fixed (OXO) doors also available as OOX and XO combinations.



SLIDING PATIO DOOR

8' 0" SIZE TABLES
Aluminum-Clad Wood



Opening	2' 7 1/2" (800)	3' 1 1/2" (953)	4' 1 1/2" (1 257)
Frame	2' 6 3/4" (781)	3' 0 3/4" (933)	4' 0 3/4" (1 238)

FIXED (O)
3196

FIXED (O)
3796

FIXED (O)
4996

Opening	5' 0" (1 524)	6' 0" (1 829)	8' 0" (2 438)
Frame	4' 11 1/4" (1 505)	5' 11 1/4" (1 810)	7' 11 1/4" (2 419)

FIXED-VENT (OX)
6096

FIXED-VENT (OX)
7296

FIXED-VENT (OX)
9696

Opening	7' 6 3/4" (2 305)	9' 0 3/4" (2 762)	12' 0 3/4" (3 677)
Frame	7' 6" (2 286)	9' 0" (2 743)	12' 0" (3 658)

3 PANEL (OXO)
9096

3 PANEL (OXO)
10896

3 PANEL (OXO)
14496

Opening	9' 8 7/8" (2 969)	11' 8 7/8" (3 578)	15' 8 7/8" (4 797)
Frame	9' 8 1/8" (2 950)	11' 8 1/8" (3 559)	15' 8 1/8" (4 778)

4 PANEL (OXXO) 11796

4 PANEL (OXXO) 14196

4 PANEL (OXXO)
18996

Not to scale.
 Traditional grille patterns shown. Refer to Clad/Wood Overview section for additional patterns and profiles.
 All doors are glazed with tempered glass.
 Two panel doors—Fixed-Vent (OX), right panel opens, left panel is fixed. Units open in the direction of the arrow as viewed from the exterior.
 Vent-Fixed (XO) doors are also available.
 Fixed-Vent-Fixed (OXO) doors also available as OOX and XOO combinations.



SLIDING PATIO DOOR

TRANSOM SIZE TABLES

Aluminum-Clad Wood



Fixed Transoms

Opening	2' 7 1/2" (800)	3' 1 1/2" (953)	4' 1 1/2" (1 257)	5' 0" (1 524)	6' 0" (1 829)	8' 0" (2 438)
Frame	2' 6 3/4" (781)	3' 0 3/4" (933)	4' 0 3/4" (1 238)	4' 1 1/4" (1 505)	5' 1 1/4" (1 810)	7' 1 1/4" (2 419)
1' 2" (366)	3114	3714	4914	6014	7214	9614
1' 5" (432)	3117	3717	4917	6017	7217	9617
2' 1" (635)	3125	3725	4925	6025	7225	9625

Special Size Frame Dimensions

DOOR TYPE	FRAME WIDTH		FRAME HEIGHT	
	Minimum	Maximum	Minimum	Maximum
O	30-3/4"	48-3/4"	79-1/2"	95-1/2"
OX, XO	59-1/4"	95-1/4"	79-1/2"	95-1/2"
OXO	90"	144"	79-1/2"	95-1/2"
OXXO	116-1/8"	188-1/8"	79-1/2"	95-1/2"
TRANSOM	18"	95-1/4"	14"	25"

Not to scale.

(1) Available within size range shown.



DESIGN DATA

Aluminum-Clad Wood



SLIDING PATIO DOOR

SLIDING FRENCH DESIGN DATA

	Unit	Venting	Clear Opening		Vent Area Ft ²	Visible Glass Ft ²	Standard Glass Thickness (mm) Tempered	Performance Class & Grade ₁
			Width (Inches)	Height (Inches)				
6' 7-1/2" DOORS	3180	O	-	-	-	8.9	3	CW75
	3780	O	-	-	-	11.6	3	CW75
	4980	O	-	-	-	17.0	4	CW75
	6080	OX, XO	22-3/8	75-3/8	11.7	17.9	3	LC65
	7280	OX, XO	28-3/8	75-3/8	14.8	23.3	3	LC65
	9680	OX, XO	40-3/8	75-3/8	21.1	34.2	4	LC65
	9080	OXO	22-3/8	75-3/8	11.7	26.8	3	LC40
	10880	OXO	28-3/8	75-3/8	14.8	35.0	3	LC40
	14480	OXO	40-3/8	75-3/8	21.1	51.3	4	LC40
	11780	OXXO	44-5/16	75-3/8	23.1	35.8	3	R20
	14180	OXXO	56-5/16	75-3/8	29.4	46.6	3	R20
	18980	OXXO	80-5/16	75-3/8	42.0	68.4	4	R20
	6' 8" DOORS	3181	O	-	-	-	9.0	3
3781		O	-	-	-	11.8	3	CW75
4981		O	-	-	-	17.3	4	CW75
6081		OX, XO	22-3/8	76	11.8	18.1	3	LC65
7281		OX, XO	28-3/8	76	15.0	23.6	3	LC65
9681		OX, XO	40-3/8	76	21.3	34.6	4	LC65
9081		OXO	22-3/8	76	11.8	27.1	3	LC40
10881		OXO	28-3/8	76	15.0	35.4	3	LC40
14481		OXO	40-3/8	76	21.3	51.8	4	LC40
11781		OXXO	44-5/16	76	23.4	36.2	3	R20
14181		OXXO	56-5/16	76	29.7	47.2	3	R20
18981		OXXO	80-5/16	76	42.4	69.1	4	R20
6' 10" DOORS		3182	O	-	-	-	9.2	3
	3782	O	-	-	-	12.0	3	CW75
	4982	O	-	-	-	17.6	4	CW75
	6082	OX, XO	22-3/8	77-3/8	12.0	18.5	3	LC65
	7282	OX, XO	28-3/8	77-3/8	12.2	24.1	3	LC65
	9682	OX, XO	40-3/8	77-3/8	21.7	35.3	4	LC65
	9082	OXO	22-3/8	77-3/8	12.0	27.7	3	LC40
	10882	OXO	28-3/8	77-3/8	15.2	36.1	3	LC40
	14482	OXO	40-3/8	77-3/8	21.7	52.9	4	LC40
	11782	OXXO	44-5/16	77-3/8	23.8	36.9	3	R20
	14182	OXXO	56-5/16	77-3/8	30.3	48.1	3	R20
	18982	OXXO	80-5/16	77-3/8	43.2	70.5	4	R20
	8' 0" DOORS	3196	O	-	-	-	11.2	4
3796		O	-	-	-	14.5	4	CW75
4996		O	-	-	-	21.3	4	CW75
6096		OX, XO	22-3/8	91-3/8	14.2	22.3	4	LC55
7296		OX, XO	28-3/8	91-3/8	18	29.1	4	LC55
9696		OX, XO	40-3/8	91-3/8	25.6	42.6	4	LC50
9096		OXO	22-3/8	91-3/8	14.2	33.5	4	LC40
10896		OXO	28-3/8	91-3/8	18	43.6	4	LC40
14496		OXO	40-3/8	91-3/8	25.6	63.9	4	LC40
11796		OXXO	44-5/16	91-3/8	28.1	44.6	4	R20
14196		OXXO	56-5/16	91-3/8	35.7	58.2	4	R20
18996		OXXO	80-5/16	91-3/8	51	85.2	4	R20

TRANSOMS

Unit	Visible Glass Ft ²	Standard Glass Thickness (mm)		Performance Class & Grade ₁
		Annealed	Tempered	
3114	2.0	3	3	CW50
3117	2.6	3	3	CW50
3125	4.1	3	3	CW50
3714	2.5	3	3	CW50
3717	3.1	3	3	CW50
3725	4.9	3	3	CW50
4914	3.4	3	3	CW50
4917	4.3	3	3	CW50
4925	6.7	3	3	CW50
6014	4.2	3	3	CW50
6017	5.0	3	3	CW50
6025	6.4	3	3	CW50
7214	5.1	3	3	CW40
7217	8.1	3	3	CW40
7225	9.9	3	3	CW40
9614	6.9	-	4	CW40
9617	8.3	-	4	CW40
9625	13.4	4	4	CW40

(-) = Not Applicable

(1) Maximum performance when glazed with the appropriate glass thickness.

To convert areas to square meters (m²), multiply square feet by 0.0929.



SLIDING PATIO DOOR

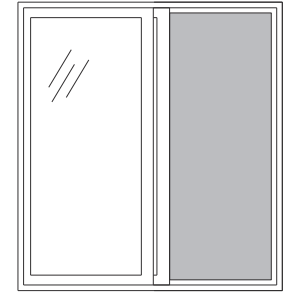
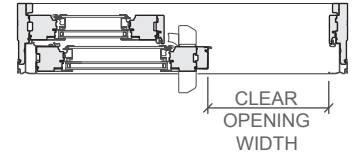
MISCELLANEOUS FORMULAS

Aluminum-Clad Wood



Miscellaneous Formulas

	FRENCH DOORS	TRANSOMS
VISIBLE GLASS	Width of O = Frame - 11" Width of OX, XO = (Frame - 19-11/16") / 2 Width of OXO = (Frame - 30-11/16") / 3 Width of OXXO = (Frame - 37") / 4 Height = Frame - 14-5/16"	Width = Frame - 3-1/4" Height = Frame - 3-1/4"
ACTUAL GLASS (1)	Width of O = Frame - 9-13/16" Width of OX, XO = (Frame - 17-5/16") / 2 Width of OXO = (Frame - 27-1/8") / 3 Width of OXXO = (Frame - 32-1/4") / 4 Height = Frame - 13-3/32"	Width = Frame - 2" Height = Frame - 2"
CLEAR OPENING	Width of OX, XO = (Frame - 14-1/2") / 2 Width of OXO = (Frame - 22-15/16") / 3 Width of OXXO = (Frame - 27-1/2") / 2 Height = Frame - 4-1/8"	



Shaded portion shows vent area of door.

Shade Handling Guide

UNIT TYPE	SHADE OPERATOR LOCATION FROM EXTERIOR	HINGED GLASS PANEL STYLE
O	Optional-Left or Right	Side Hinge
XO	X-Left	Side Hinge
	O-Right	Side Hinge
OX	O-Left	Side Hinge
	X-Right	Side Hinge
OXO	O-Left	Side Hinge
	X-Left	Side Hinge
	O-Right	Side Hinge
OXXO	O-Left	Side Hinge
	X-Right	Side Hinge
	X-Left	Side Hinge
	O-Right	Side Hinge



(1) Actual glass of Interior Hinged Glass Panel is 1/2" smaller than the exterior glass.



SLIDING PATIO DOOR

DETAILED PRODUCT DESCRIPTIONS

Aluminum-Clad Wood



FRAME

- Select softwood, immersion treated with Pella's EnduraGuard® wood protection formula in accordance with WDMA I.S.-4. The EnduraGuard formula includes three active ingredients for protection against the effects of moisture, decay, stains from mold and mildew. Plus, an additional ingredient adds protection against termite damage.
- Interior exposed surfaces are clear pine.
- Exterior surfaces are clad with aluminum at the head and jambs.
- Fin position will accommodate standard 4-9/16" (116 mm) wall depths.
- Solid extruded aluminum sill. Finish is Brown EnduraClad® protective finish with oak insert at threshold.
- Optional factory-installed fold-out installation fins with flexible fin corners.
- Frame depth is 5-7/8" (149 mm).
- Optional factory-applied jamb extensions available between 4-9/16" (116 mm) and 7-3/16" (183 mm) wall depths.

DOOR PANELS

- Select softwood, immersion treated with Pella's EnduraGuard® wood protection formula in accordance with WDMA I.S.-4. The EnduraGuard formula includes three active ingredients for protection against the effects of moisture, decay, stains from mold and mildew. Plus, an additional ingredient adds protection against termite damage.
- Interior exposed surfaces are veneered with clear pine with no visible fastener holes.
- Exterior surfaces are clad with aluminum.
- Panel rails are three-ply construction, randomly finger-jointed blocks laminated with water-resistant glue and pine veneered on both sides.
- Corners are urethane-sealed and secured with metal fasteners.
- Panel thickness is 2-1/16" (52 mm).
- Vent panels have two adjustable sealed electroplated steel ball-bearing rollers with organic coating, set on stainless steel track, standard
- or -
- Two adjustable corrosion-resistant stainless steel ball-bearing rollers; out of-unit option.

WEATHERSTRIPPING

- Tri-durometer extruded polymer with bulb at head, jambs and threshold. Corners are welded.
- Dual-durometer extruded polymer with bulb at vent interlocker.

GLAZING SYSTEM

- Quality fully-tempered float glass complying with ASTM C 1048.
- Triple-Pane Glazing
 - Exterior dual-seal insulating glass, Polyurethane Reactive Hotmelt (PUR)-glazed [[clear] [[Advanced] [SunDefense™][AdvancedComfort] [NaturalSun] Low-E coated, with argon] [[bronze] [gray] [green] [non-impact laminated] Advanced Low-E coated, with argon]].
 - High altitude insulating glass is available.
 - Interior hinged glass panel set in aluminum frame, fitted to panel with continuous gasket seal [clear] [obscure].
 - Airspace is 1-3/32".

EXTERIOR

- Aluminum clad exteriors shall be finished with EnduraClad® protective finish, in a multi-step, baked-on finish.
- Color is [White] [Tan] [Brown] [Putty] [feature 1] [custom 1].
- or -
- Aluminum clad exteriors shall be finished with EnduraClad Plus protective finish with 70% fluoropolymer resin in a multi-step, baked-on finish.
- Color is [White] [Tan] [Brown] [Putty] [feature 1] [custom 1].

INTERIOR

- [Unfinished, ready for site finishing] [factory primed with one coat acrylic latex] [factory prefinished [White] [Linen White] [Bright White] [stain 1]].

HARDWARE

- Interior handle and thumb lock finish is [Endura Hardware™ collection [Bright Brass] [Satin Nickel]] [baked enamel, [Champagne] [White] [Brown]] [Oil-Rubbed Bronze].
- Exterior handle finish is baked enamel, color to match door exterior cladding.
- Keylock with Schlage® configured C-K keyway pinlock cylinder. Finish is [Bright Brass] [Oil-Rubbed Bronze] [Stainless Steel].
- Multiple point lock hardware is electroplated steel with stainless steel strikes.
- The foot bolt has a [Champagne] [Brown] finish.
- Interior and exterior screen handle finish will match the interior door handle finish. Interior and exterior screen handle finish will match the interior door handle finish.

OPTIONAL PRODUCTS

Grilles

- Removable Between-Glass Grilles
 - 3/4" Flat profile with [Traditional] [Prairie] [Cross] [Top Row] [New England] patterns that are a contoured aluminum grille installed on the edge of the hinged glass panel.
 - Interior [unfinished, ready for site finishing] [factory primed] [pine: factory prefinished [White] [Linen White] [Bright White] [stain 1]].
 - Exterior factory prefinished, finish will match exterior cladding color.
- Removable Grilles (for transom units)
 - 3/4" Regular profile with traditional pattern that is removable solid pine wood Grilles steel-pinned at joints and fitted to sash with steel clips and tacks.
 - Surfaces unfinished, ready for site finishing.

Screens

- InView™ Screens
 - Vinyl-coated 18/18 mesh fiberglass screen cloth complying with SMA 1201, set in aluminum frame fitted to inside of door, supplied complete with all necessary hardware.
 - Self-closing screen assembly is top-hung on two adjustable nylon rollers installed on room side of door panels.
 - Screen frame finish is [White interior/exterior] [Wood interior [factory primed] [factory stain matched 1] [unfinished ready for site finishing] color matched exterior].

- or -

Rolscreen® Retractable Screens

- Self-storing, rolling, black vinyl-coated 18/16 mesh fiberglass screen cloth complying with ASTM D 3656 and SMA 1201 mounted to fixed panel and covered by veneered aluminum.
- Cover finish is [factory prefinished paint] [pine veneer wrapped over extruded aluminum with factory prefinished [stain 1] [paint 1]].
- Available on two- and three-panel sliding patio doors.

Window Fashions

- Slimshade® Blinds 1
 - 15 mm aluminum slat [tilt-only] [bottom-up] blinds with polyester cord ladder.
 - Installed on the hinged glass panel and controlled by built-in cordless operating mechanism.

- or -

Cellular Fabric Shades 1

- Spun bond Polyethylene Terephthalate (PET) cellular fabric, 11/16" in width, hidden polyester cord [bottom-up] [top-down].
- Installed on the hinged glass panel and controlled by built-in cordless operating mechanism.

(1) Contact your local Pella sales representative for current designs and color options.

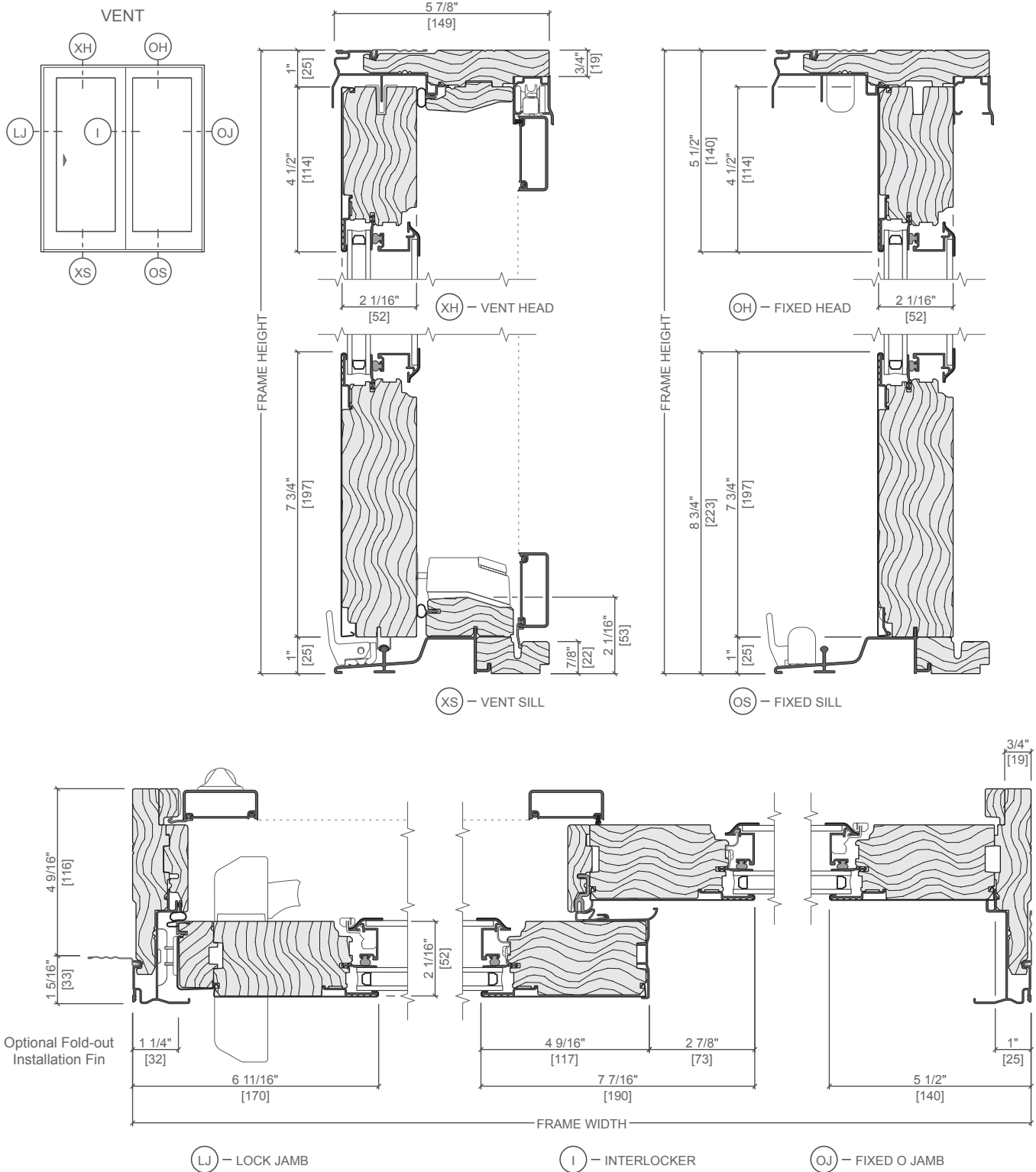


SLIDING PATIO DOOR

UNIT SECTIONS – TRIPLE-PANE GLAZING

Aluminum-Clad Wood

Triple-Pane Glazing



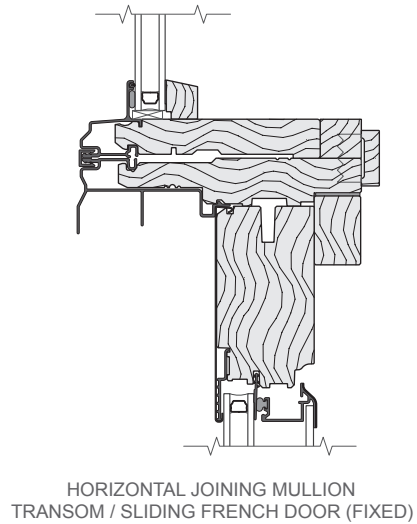
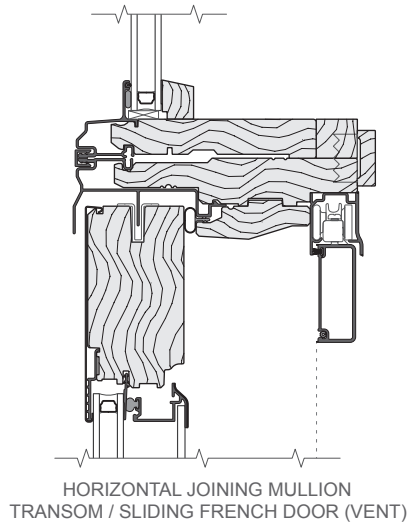
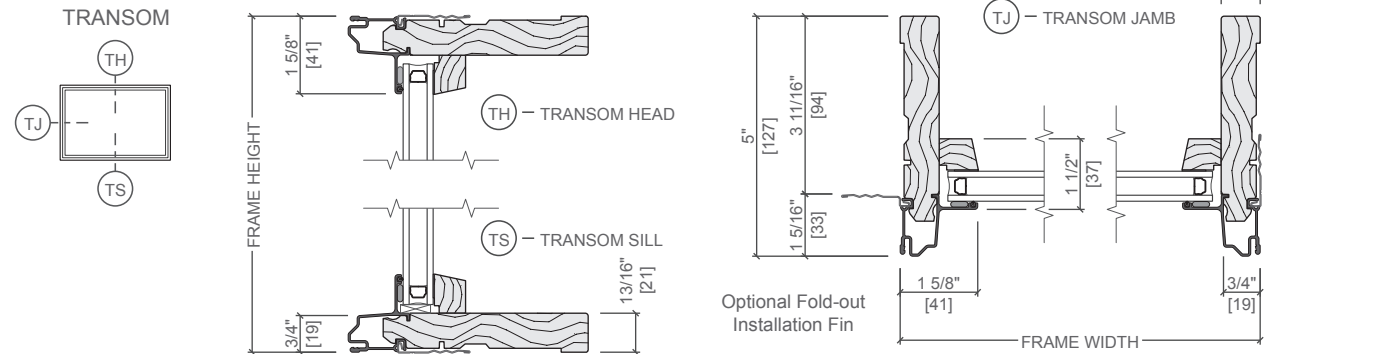
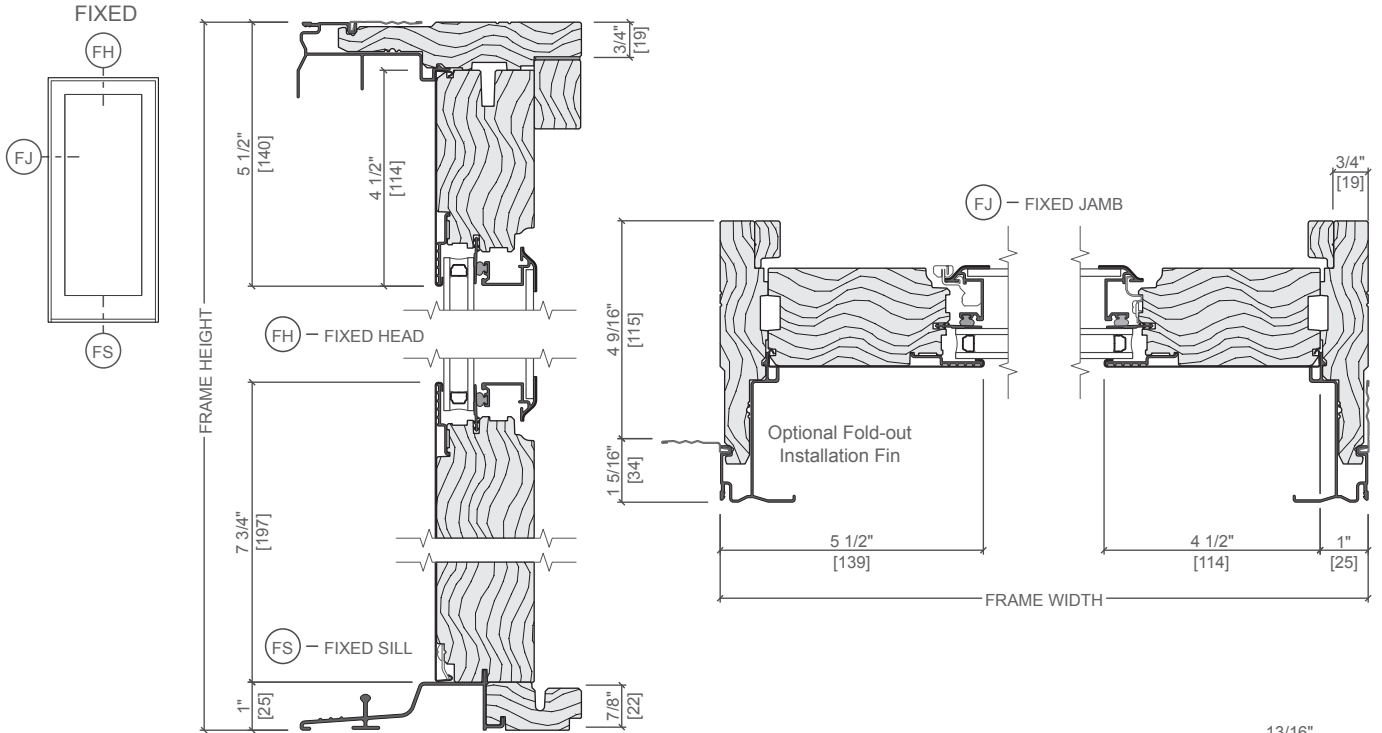
Scale 3" = 1' 0"

All dimensions are approximate.



SLIDING PATIO DOOR

UNIT SECTIONS
Aluminum-Clad Wood
Triple-Pane Glazing



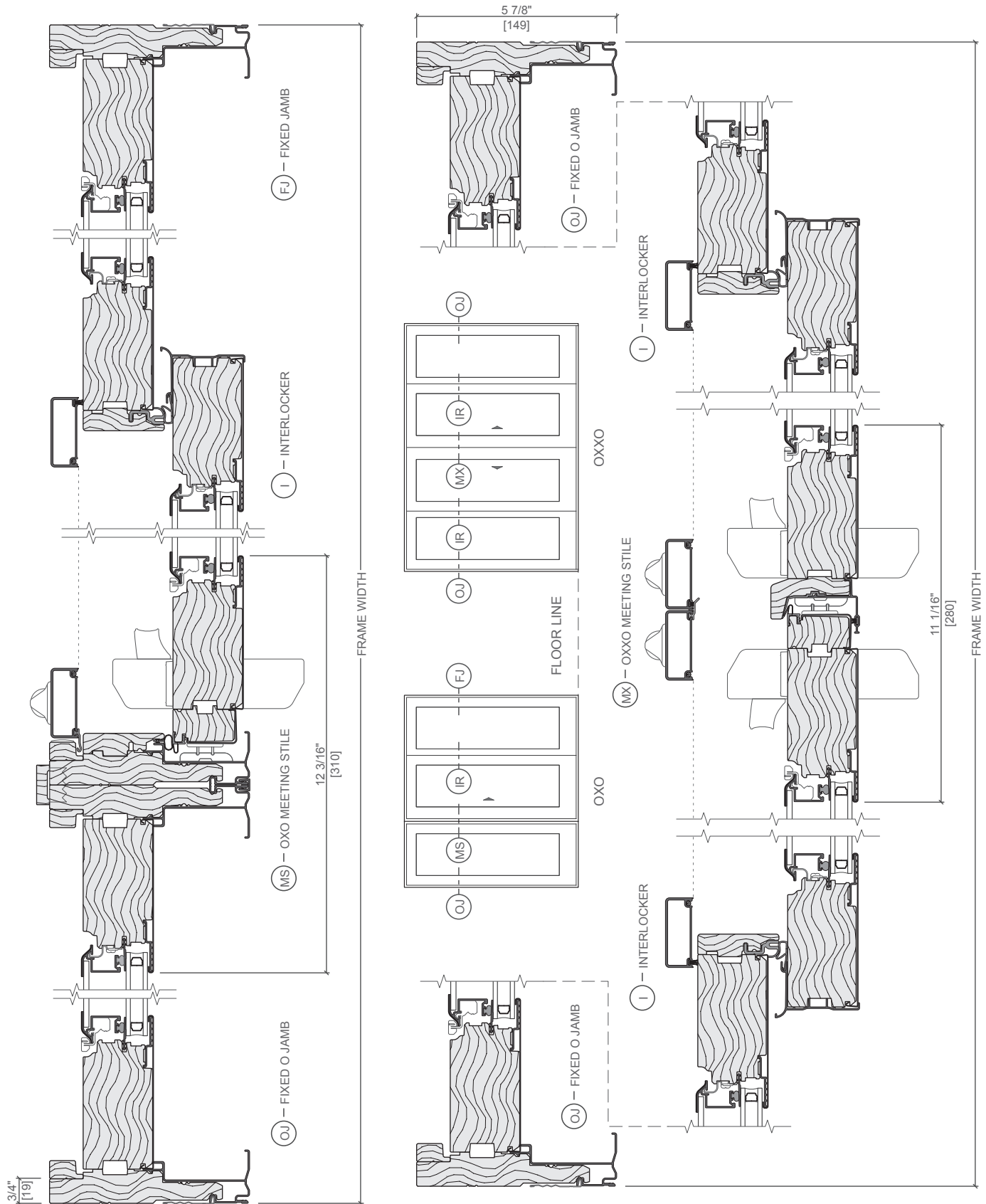
Scale 3" = 1' 0"
All dimensions are approximate.



SLIDING PATIO DOOR

UNIT SECTIONS

Aluminum-Clad Wood
Triple-Pane Glazing



Scale 3" = 1' 0"
All dimensions are approximate.

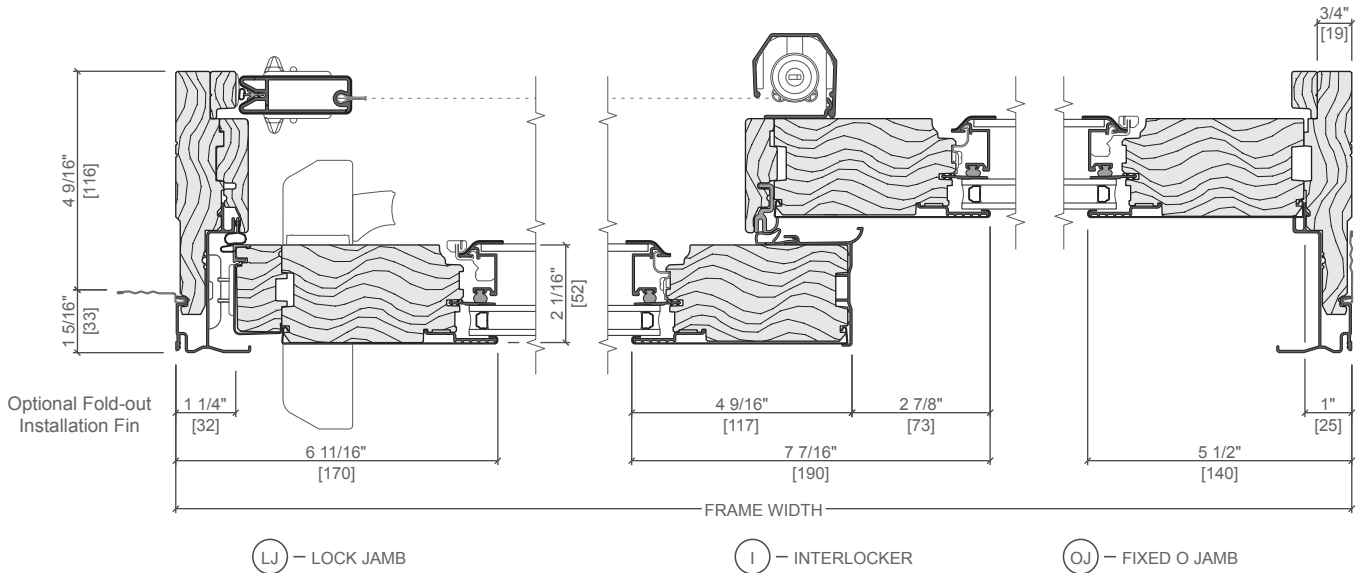
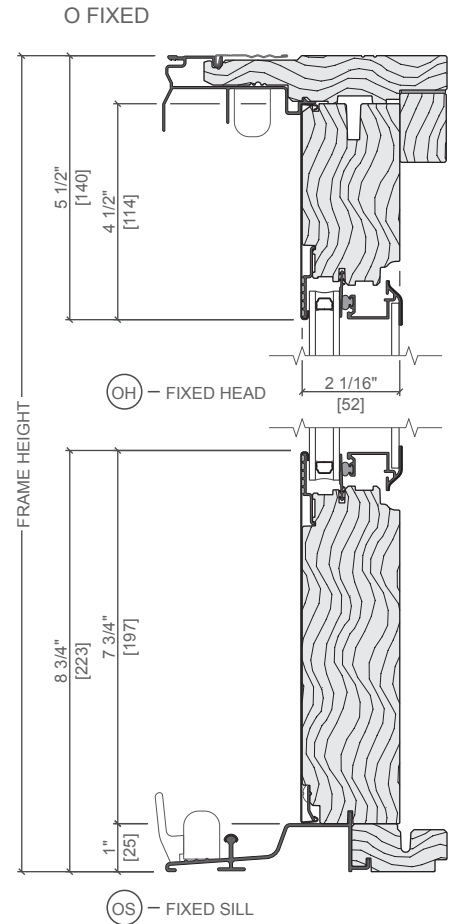
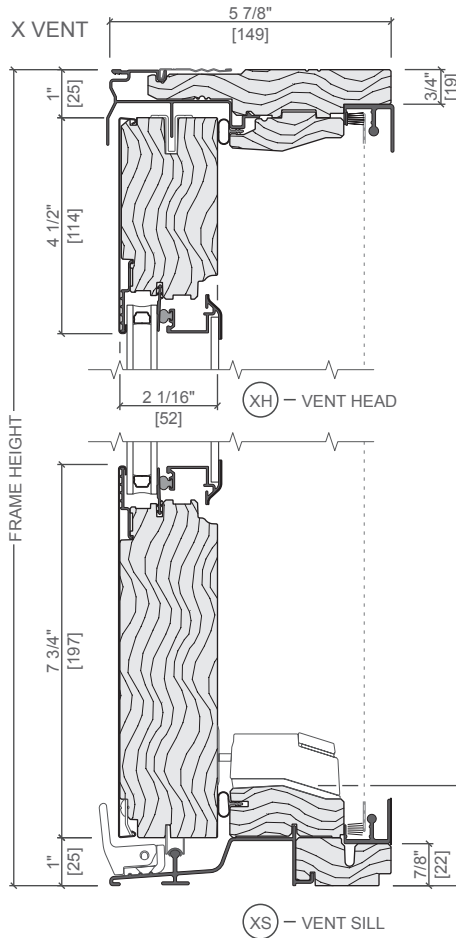
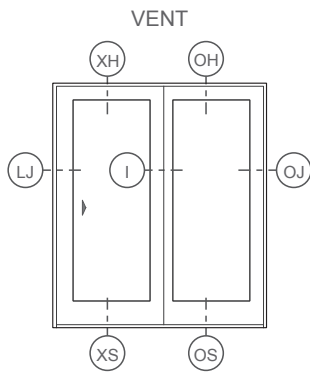


SLIDING PATIO DOOR

UNIT SECTIONS

Aluminum-Clad Wood

Rolscreen Retractable Screen



Scale 3" = 1' 0"
All dimensions are approximate.



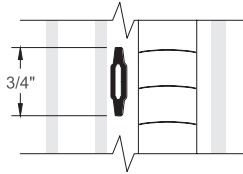
GRILLE TYPES

Typical Grille Profiles and Patterns

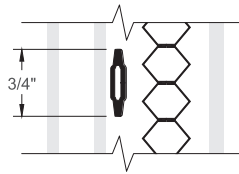


Grille Profiles

REMOVABLE GRILLES BETWEEN-THE-GLASS



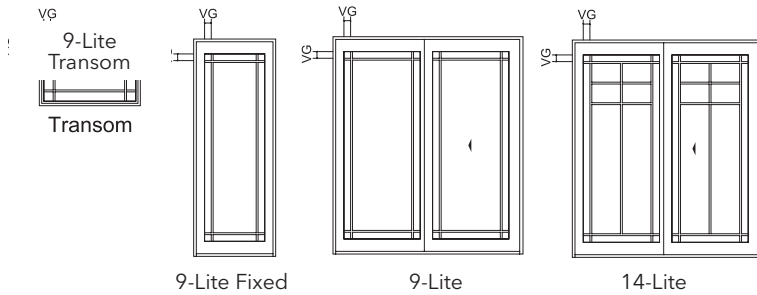
3/4" Triple-Pane with Slimshade Blind



3/4" Triple-Pane with Cellular Fabric Shade

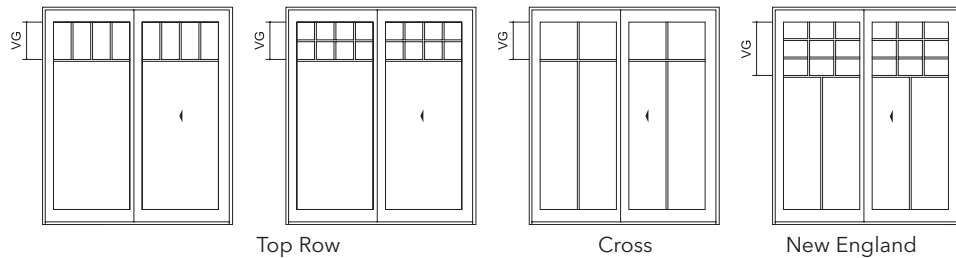
Grille Patterns

PRAIRIE LITE PATTERNS



All sidelights and transoms will have 9 lights.
 Transom corner lite dimensions = 2-1/2" VG.
 Door Standard corner lite dimension = 3-1/2" visible glass height and 2-1/2" visible glass width.

OTHER AVAILABLE PATTERNS



Top Row - Standard visible glass to separator bar = 14".
Cross - Standard visible glass to separator bar = 1/4 of total visible glass height.
New England - Standard visible glass to separator bar = 1/2 of total visible glass height.

For traditional patterns, see size tables.

VG = Visible Glass
 Lite dimensions noted can vary.
 For size and pattern availability contact your local Pella sales representative.



6' 7-1/2" SIZE TABLES

Aluminum-Clad Wood



Opening	2' 7 1/2" (800)	3' 1 1/2" (953)	4' 1 1/2" (1 257)
Frame	2' 6 3/4" (781)	3' 0 3/4" (933)	4' 0 3/4" (1 238)

FIXED (O)
3180

FIXED (O)
3780

FIXED (O)
4980

6' 8" (2 032)
6' 7 1/2" (2 019)

Opening	5' 0" (1 524)	6' 0" (1 829)	8' 0" (2 438)
Frame	4' 11 1/4" (1 505)	5' 11 1/4" (1 810)	7' 11 1/4" (2 419)

FIXED-VENT (OX)
6080

FIXED-VENT (OX)
7280

FIXED-VENT (OX)
9680

6' 8" (2 032)
6' 7 1/2" (2 019)

Opening	7' 6 3/4" (2 305)	9' 0 3/4" (2 762)	12' 0 3/4" (3 677)
Frame	7' 6" (2 286)	9' 0" (2 743)	12' 0" (3 658)

3 PANEL (OXO)
9080

3 PANEL (OXO)
10880

3 PANEL (OXO)
14480

6' 8" (2 032)
6' 7 1/2" (2 019)

Opening	9' 8 7/8" (2 969)	11' 8 7/8" (3 578)	15' 8 7/8" (4 797)
Frame	9' 8 1/8" (2 950)	11' 8 1/8" (3 559)	15' 8 1/8" (4 778)

4 PANEL (OXXO)
11780

4 PANEL (OXXO)
14180

4 PANEL (OXXO)
18980

6' 8" (2 032)
6' 7 1/2" (2 019)



6' 8" SIZE TABLES

Aluminum-Clad Wood



	Opening	2' 7 ¹ / ₂ " (800)	3' 1 ¹ / ₂ " (953)	4' 1 ¹ / ₂ " (1257)
	Frame	2' 6 ³ / ₄ " (781)	3' 0 ³ / ₄ " (933)	4' 0 ³ / ₄ " (1238)
6' 8 ⁵ / ₈ " (2048)				
6' 8 ¹ / ₈ " (2035)		FIXED (O) 3181	FIXED (O) 3781	FIXED (O) 4981

	Opening	5' 0" (1524)	6' 0" (1829)	8' 0" (2438)
	Frame	4' 11 ¹ / ₄ " (1505)	5' 11 ¹ / ₄ " (1810)	7' 11 ¹ / ₄ " (2419)
6' 8 ⁵ / ₈ " (2048)				
6' 8 ¹ / ₈ " (2035)		FIXED-VENT (OX) 6081	FIXED-VENT (OX) 7281	FIXED-VENT (OX) 9681

	Opening	7' 6 ³ / ₄ " (2305)	9' 0 ³ / ₄ " (2762)	12' 0 ³ / ₄ " (3677)
	Frame	7' 6" (2286)	9' 0" (2743)	12' 0" (3658)
6' 8 ⁵ / ₈ " (2048)				
6' 8 ¹ / ₈ " (2035)		3 PANEL (OXO) 9081	3 PANEL (OXO) 10881	3 PANEL (OXO) 14481

	Opening	9' 8 ⁷ / ₈ " (2969)	11' 8 ⁷ / ₈ " (3578)	15' 8 ⁷ / ₈ " (4797)
	Frame	9' 8 ¹ / ₈ " (2950)	11' 8 ¹ / ₈ " (3559)	15' 8 ¹ / ₈ " (4778)
6' 8 ⁵ / ₈ " (2048)				
6' 8 ¹ / ₈ " (2035)		4 PANEL (OXXO) 11781	4 PANEL (OXXO) 14181	4 PANEL (OXXO) 18981

Not to scale.

Traditional grille patterns shown. Refer to Clad/Wood Overview section for additional patterns and profiles.

All doors are glazed with tempered glass.

Two panel doors—Fixed-Vent (OX), right panel opens, left panel is fixed. Units

open in the direction of the arrow as viewed from the exterior.

Vent-Fixed (XO) doors are also available.

Fixed-Vent-Fixed (OXO) doors also available as OOX and XO combinations.



6' 10" SIZE TABLES

Aluminum-Clad Wood



Opening	2' 7 1/2" (800)	3' 1 1/2" (953)	4' 1 1/2" (1 257)
Frame	2' 6 3/4" (781)	3' 0 3/4" (933)	4' 0 3/4" (1 238)

6' 10" (2 083)	6' 9 1/2" (2 070)			
		FIXED (O) 3182	FIXED (O) 3782	FIXED (O) 4982

Opening	5' 0" (1 524)	6' 0" (1 829)	8' 0" (2 438)
Frame	4' 11 1/4" (1 505)	5' 11 1/4" (1 810)	7' 11 1/4" (2 419)

6' 10" (2 083)	6' 9 1/2" (2 070)			
		FIXED-VENT (OX) 6082	FIXED-VENT (OX) 7282	FIXED-VENT (OX) 9682

Opening	7' 6 3/4" (2 305)	9' 0 3/4" (2 762)	12' 0 3/4" (3 677)
Frame	7' 6" (2 286)	9' 0" (2 743)	12' 0" (3 658)

6' 10" (2 083)	6' 9 1/2" (2 070)			
		3 PANEL (OXO) 9082	3 PANEL (OXO) 10882	3 PANEL (OXO) 14482

Opening	9' 8 7/8" (2 969)	11' 8 7/8" (3 578)	15' 8 7/8" (4 797)
Frame	9' 8 1/8" (2 950)	11' 8 1/8" (3 559)	15' 8 1/8" (4 778)

6' 10" (2 083)	6' 9 1/2" (2 070)			
		4 PANEL (OXXO) 11782	4 PANEL (OXXO) 14182	4 PANEL (OXXO) 18982

Not to scale.

Traditional grille patterns shown. Refer to Clad/Wood Overview section for additional patterns and profiles.

All doors are glazed with tempered glass.

Two panel doors—Fixed-Vent (OX), right panel opens, left panel is fixed. Units open in the direction of the arrow as viewed from the exterior.

Vent-Fixed (XO) doors are also available.

Fixed-Vent-Fixed (OXO) doors also available in other combinations.

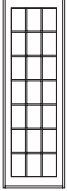


8' 0" SIZE TABLES

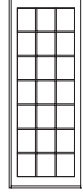
Aluminum-Clad Wood



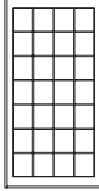
Opening	2' 7 ¹ / ₂ " (800)	3' 1 ¹ / ₂ " (953)	4' 1 ¹ / ₂ " (1 257)
Frame	2' 6 ³ / ₄ " (781)	3' 0 ³ / ₄ " (933)	4' 0 ³ / ₄ " (1 238)



FIXED (O)
3196



FIXED (O)
3796

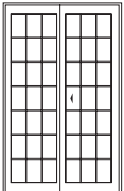


FIXED (O)
4996

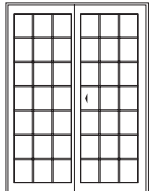
8' 0" (2 438)

7' 11¹/₂" (2 426)

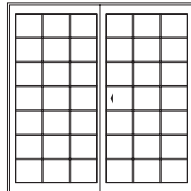
Opening	5' 0" (1 524)	6' 0" (1 829)	8' 0" (2 438)
Frame	4' 11 ¹ / ₄ " (1 505)	5' 11 ¹ / ₄ " (1 810)	7' 11 ¹ / ₄ " (2 419)



FIXED-VENT (OX)*
6096



FIXED-VENT (OX)*
7296

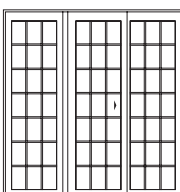


FIXED-VENT (OX)*
9696

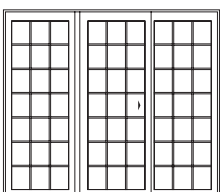
8' 0" (2 438)

7' 11¹/₂" (2 426)

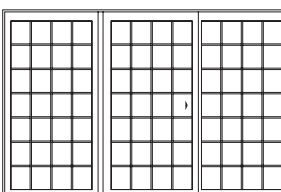
Opening	7' 6 ³ / ₄ " (2 305)	9' 0 ³ / ₄ " (2 762)	12' 0 ³ / ₄ " (3 677)
Frame	7' 6" (2 286)	9' 0" (2 743)	12' 0" (3 658)



3 PANEL (OXO)
9096



3 PANEL (OXO)
10896

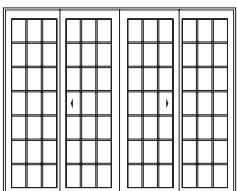


3 PANEL (OXO)
14496

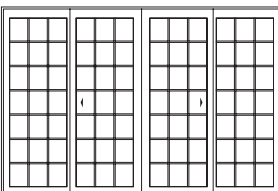
8' 0" (2 438)

7' 11¹/₂" (2 426)

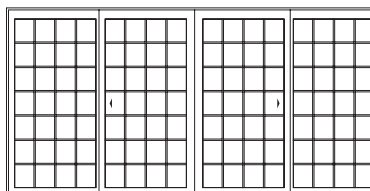
Opening	9' 8 ⁷ / ₈ " (2 969)	11' 8 ⁷ / ₈ " (3 578)	15' 8 ⁷ / ₈ " (4 797)
Frame	9' 8 ¹ / ₈ " (2 950)	11' 8 ¹ / ₈ " (3 559)	15' 8 ¹ / ₈ " (4 778)



4 PANEL (OXXO)
11796



4 PANEL (OXXO)
14196



4 PANEL (OXXO)
18996

8' 0" (2 438)

7' 11¹/₂" (2 426)

Not to scale.
Traditional grille patterns shown. Refer to Clad/Wood Overview section for additional patterns and profiles.
All doors are glazed with tempered glass.
Two panel doors—Fixed-Vent (OX), right panel opens, left panel is fixed.

Units open in the direction of the arrow as viewed from the exterior.
Vent-Fixed (XO) doors are also available.
Fixed-Vent-Fixed (OXO) doors also available in other combinations.



TRANSOM SIZE TABLES

Aluminum-Clad Wood



Opening	2' 7 1/2" (800)	3' 1 1/2" (953)	4' 1 1/2" (1257)	5' 0" (1524)	6' 0" (1829)	8' 0" (2438)
Frame	2' 6 3/4" (781)	3' 0 3/4" (933)	4' 0 3/4" (1238)	4' 11 1/4" (1505)	5' 11 1/4" (1810)	7' 11 1/4" (2419)
2' 13/4" (654)	3114	3714	4914	6014	7214	9614
1' 2 3/4" (375)	3117	3717	4917	6017	7217	9617
1' 5" (432)	3125	3725	4925	6025	7225	9625
1' 2" (366)						
2" (635)						

Special Size Frame Dimensions

DOOR TYPE	FRAME WIDTH		FRAME HEIGHT	
	Minimum	Maximum	Minimum	Maximum
O	30-3/4"	48-3/4"	79-1/2"	95-1/2"
OX, XO	59-1/4"	95-1/4"	79-1/2"	95-1/2"
OXO	90"	144"	79-1/2"	95-1/2"
OXXO	116-1/8"	188-1/8"	79-1/2"	95-1/2"
TRANSOM	18"	95-1/4"	14"	25"

Not to scale.

Tempered glass is standard.



DESIGN DATA

Aluminum-Clad Wood



SLIDING CONTEMPORARY DESIGN DATA

Unit	Venting	Clear Opening (Inches) ₁		Vent Area Ft ²	Visible Glass Area Ft ²	Standard Glass Thickness (mm) Tempered	Performance Class & Grade ₂	
		Width	Height					
6' 7-1/2" DOORS	3180	O	-	-	-	10.8	3	CW75
	3780	O	-	-	-	13.6	3	CW75
	4980	O	-	-	-	19.3	4	CW75
	6080	OX, XO	22-3/8	75-3/8	11.7	21.6	3	LC40
	7280	OX, XO	28-3/8	75-3/8	14.8	27.3	3	LC40
	9680	OX, XO	40-3/8	75-3/8	21.1	38.7	4	LC40
	9080	OXO	22-3/8	75-3/8	11.7	32.4	3	LC40
	10880	OXO	28-3/8	75-3/8	14.8	41.0	3	LC40
	14480	OXO	40-3/8	75-3/8	21.1	58.1	4	LC40
	11780	OXXO	44-5/16	75-3/8	23.1	43.3	3	R20
	14180	OXXO	56-5/16	75-3/8	29.4	54.7	3	R20
	18980	OXXO	80-5/16	75-3/8	42.0	77.5	4	R20
	6' 8" DOORS	3181	O	-	-	-	10.9	3
3781		O	-	-	-	13.8	3	CW75
4981		O	-	-	-	19.6	4	CW75
6081		OX, XO	22-3/8	76	11.8	21.9	4	LC40
7281		OX, XO	28-3/8	76	15.0	27.6	4	LC40
9681		OX, XO	40-3/8	76	21.3	37.1	4	LC40
9081		OXO	22-3/8	76	11.8	32.8	3	LC40
10881		OXO	28-3/8	76	15.0	41.4	3	LC40
14481		OXO	40-3/8	76	21.3	58.7	4	LC40
11781		OXXO	44-5/16	76	23.4	43.7	3	R20
14181		OXXO	56-5/16	76	29.7	55.2	3	R20
18981		OXXO	80-5/16	76	42.4	78.3	4	R20
6' 10" DOORS		3182	O	-	-	-	11.1	3
	3782	O	-	-	-	14.1	3	CW75
	4982	O	-	-	-	20.0	4	CW75
	6082	OX, XO	22-3/8	77-3/8	12.0	22.3	3	LC40
	7282	OX, XO	28-3/8	77-3/8	15.2	28.2	3	LC40
	9682	OX, XO	40-3/8	77-3/8	21.7	39.9	4	LC40
	9082	OXO	22-3/8	77-3/8	12.0	33.4	3	LC40
	10882	OXO	28-3/8	77-3/8	15.2	42.3	3	LC40
	14482	OXO	40-3/8	77-3/8	21.7	59.9	4	LC40
	11782	OXXO	44-5/16	77-3/8	23.8	44.6	3	R20
	14182	OXXO	56-5/16	77-3/8	30.3	56.3	3	R20
	18982	OXXO	80-5/16	77-3/8	43.2	79.8	4	R20
	8' 0" DOORS	3196	O	-	-	-	13.4	4
3796		O	-	-	-	16.9	4	CW75
4996		O	-	-	-	23.9	4	CW75
6096		OX, XO	22-3/8	91-3/8	14.2	26.7	4	LC40
7296		OX, XO	28-3/8	91-3/8	18.0	33.8	4	LC40
9696		OX, XO	40-3/8	91-3/8	25.6	47.8	4	LC40
9096		OXO	22-3/8	91-3/8	14.2	40.1	4	LC40
10896		OXO	28-3/8	91-3/8	18.0	50.6	4	LC40
14496		OXO	40-3/8	91-3/8	25.6	71.8	4	LC40
11796		OXXO	44-5/16	91-3/8	28.1	53.5	4	R20
14196		OXXO	56-5/16	91-3/8	35.7	67.5	4	R20
18996		OXXO	80-5/16	91-3/8	51.0	95.7	4	R20

TRANSOMS DESIGN DATA

Unit	Visible Glass Area Ft ²	Standard Glass Thickness (mm)		Performance Class & Grade ₂
		Annealed	Tempered	
3114	2.0	3	3	CW50
3117	2.6	3	3	CW50
3125	4.1	3	3	CW50
3714	2.5	3	3	CW50
3717	3.1	3	3	CW50
3725	4.9	3	3	CW50
4914	3.4	3	3	CW50
4917	4.3	3	3	CW50
4925	6.7	3	3	CW50
6014	4.2	3	3	CW50
6017	5.0	3	3	CW50
6025	6.4	3	3	CW50
7214	5.1	3	3	CW40
7217	6.5	3	3	CW40
7225	10.3	3	3	CW40
9614	6.8	-	4	CW40 _T
9617	8.8	-	4	CW40 _T
9625	13.9	4	4	CW40

(-) = Not Applicable

(1) All dimensions are approximate to the nearest 1/16"

(2) Maximum performance when glazed with the appropriate glass thickness.

To convert areas to square meters (m²), multiply square feet by 0.0929.

T = Tempered glass is standard.



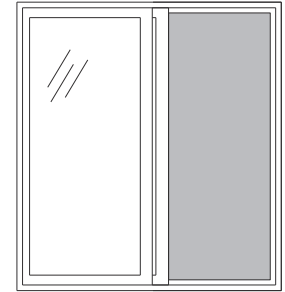
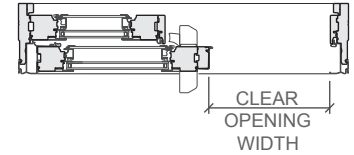
DESIGN DATA

Aluminum-Clad Wood



Miscellaneous Formulas

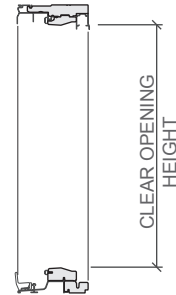
	CONTEMPORARY DOORS	TRANSOMS
VISIBLE GLASS	Width of O = Frame - 8" Width of OX, XO = (Frame - 13-11/16") / 2 Width of OXO = (Frame - 21-11/16") / 3 Width of OXXO = (Frame - 25") / 4 Height = Frame - 11-1/32"	Width = Frame - 3-1/4" Height = Frame - 3-1/4"
ACTUAL GLASS¹	Width of O = Frame - 6-13/16" Width of OX, XO = (Frame - 11-5/16") / 2 Width of OXO = (Frame - 18-1/8") / 3 Width of OXXO = (Frame - 20-1/4") / 4 Height = Frame - 9-27/32"	Width = Frame - 2" Height = Frame - 2"
CLEAR OPENING	Width of OX, XO = (Frame - 14-1/2") / 2 Width of OXO = (Frame - 22-15/16") / 3 Width of OXXO = (Frame - 27-1/2") / 2 Height = Frame - 4-1/8"	-



Shaded portion shows vent area of door.

Shade Handling Guide

UNIT TYPE	SHADE OPERATOR LOCATION FROM EXTERIOR	HINGED GLASS PANEL STYLE
O	Optional-Left or Right	Side Hinge
XO	X-Left	Side Hinge
	O-Right	Side Hinge
OX	O-Left	Side Hinge
	X-Right	Side Hinge
OXO	O-Left	Side Hinge
	X-Left	Side Hinge
	O-Right	Side Hinge
OXXO	O-Left	Side Hinge
	X-Right	Side Hinge
	X-Left	Side Hinge
	O-Right	Side Hinge



(-) = Not Applicable

(1) Actual Glass of Interior Hinged Panel is 1/2" smaller than the exterior glass.

To convert areas to square meters (m²), multiply square feet by 0.0929.



DETAILED PRODUCT DESCRIPTIONS

Aluminum-Clad Wood



FRAME

- Select softwood, immersion treated with Pella's EnduraGuard® wood protection formula in accordance with WDMA I.S.-4. The EnduraGuard formula includes three active ingredients for protection against the effects of moisture, decay, stains from mold and mildew. Plus, an additional ingredient adds protection against termite damage.
- Interior exposed surfaces are clear pine.
- Exterior surfaces are clad with aluminum at the head and jambs.
- Solid extruded aluminum sill. Finish is Brown EnduraClad® protective finish with oak insert at threshold.
- Factory-installed fold-out installation fins with flexible fin corners.
- Fin position accommodates standard 4-9/16" (116 mm) wall depths.
- Frame depth is 5-7/8" (149 mm).
- Optional factory-applied jamb extensions available between 4-9/16" (116 mm) and 7-3/16" (183 mm) wall depths.

DOOR PANELS

- Select softwood, immersion treated with Pella's EnduraGuard® wood protection formula in accordance with WDMA I.S.-4. The EnduraGuard formula includes three active ingredients for protection against the effects of moisture, decay, stains from mold and mildew. Plus, an additional ingredient adds protection against termite damage.
- Interior exposed surfaces are veneered with clear pine with no visible fastener holes.
- Exterior surfaces are clad with aluminum.
- Panel rails are three-ply construction, randomly finger-jointed blocks laminated with water-resistant glue and pine-veneered on both sides.
- Corners are urethane-sealed and secured with metal fasteners.
- Panel thickness is 2-1/16" (52 mm).
- Vent panels have two adjustable sealed electroplated steel ball-bearing rollers with organic coating, set on stainless steel track, standard.
- or –
- Two adjustable corrosion-resistant stainless steel ball-bearing rollers; out-of-unit option.

WEATHERSTRIPPING

- Tri-durometer extruded polymer with bulb at head, jambs and threshold. Corners are welded.
- Dual-durometer extruded polymer with bulb at vent interlocker.

GLAZING SYSTEM

- Quality fully-tempered float glass complying with ASTM C 1048.
- Triple-Pane Glazing
 - Exterior dual-seal insulating glass, Polyurethane Reactive Hotmelt (PUR)-glazed [[clear] [[Advanced] [SunDefense™][AdvancedComfort] [NaturalSun] Low-E coated, with argon] [[bronze] [gray] [green] [non-impact laminated] Advanced Low-E coated, with argon]].
 - High altitude insulating glass is available.
 - Interior hinged glass panel set in aluminum frame, fitted to panel with continuous gasket seal [clear] [obscure].
 - Airspace is 1-3/32".

EXTERIOR

- Aluminum clad exteriors shall be finished with EnduraClad® protective finish, in a multi-step, baked-on finish.
- Color is [White] [Tan] [Brown] [Putty] [feature 1] [custom 1].
- or –
- Aluminum clad exteriors shall be finished with EnduraClad Plus protective finish with 70% fluoropolymer resin in a multi-step, baked-on finish.
- Color is [White] [Tan] [Brown] [Putty] [feature 1] [custom 1].

INTERIOR

- [[Unfinished, ready for site finishing] [factory primed with one coat acrylic latex] [factory prefinished [White] [Linen White] [Bright White] [stain 1]].

HARDWARE

- Interior handle and thumb lock finish are [Endura Hardware™ collection Bright Brass] [Endura Hardware collection Satin Nickel] [baked enamel, Champagne] [White] [Brown]] [Oil-Rubbed Bronze].
- Exterior handle finish is baked enamel, color to match door cladding.
- Keylock with Schlage® configured C-K keyway pinlock cylinder. Finish is [Bright Brass] [Oil-Rubbed Bronze] [baked enamel, Brown] [Stainless Steel].
- Multiple point lock hardware is electroplated steel with stainless steel strikes.
- The foot bolt has a [Champagne] [Brown] finish.
- Interior and exterior screen handle finish will match the interior door handle finish.

OPTIONAL PRODUCTS

Grilles

- Removable Between-Glass Grilles
 - 3/4" profile with [Traditional] [Prairie] [Cross] [Top Row] [New England] patterns that are a contoured aluminum grille installed on the edge of the hinged glass panel.
 - Interior [unfinished, ready for site finishing] [factory primed] [pine: factory prefinished [White] [Linen White] [Bright White] [stain 1]].
 - Exterior factory prefinished, finish will match exterior cladding color.
- Removable Grilles (for transom units)
 - 3/4" Regular profile with Traditional pattern that is removable solid pine wood Grilles steel-pinned at joints and fitted to sash with steel clips and tacks.

Screens

- InView™ Screens
 - Vinyl-coated 18/18 mesh fiberglass screen cloth complying with SMA 1201, set in aluminum frame fitted to inside of door, supplied complete with all necessary hardware.
 - Self-closing screen assembly is top-hung on two adjustable nylon rollers installed on room side of door panels.
 - Screen frame finish is [White interior/exterior] [Wood interior [factory primed] [factory stain matched 1] [unfinished ready for site finishing] color matched exterior].
- or –

Rolscreen® Retractable Screen

- Self-storing, rolling, black vinyl-coated 18/16 mesh fiberglass screen cloth complying with ASTM D 3656 and SMA 1201 mounted behind overhead cover.
- Cover finish is [factory prefinished paint] [pine veneer wrapped over extruded aluminum with factory prefinished [stain 1] [paint 1]].
- Available on two- and three-panel sliding patio doors.

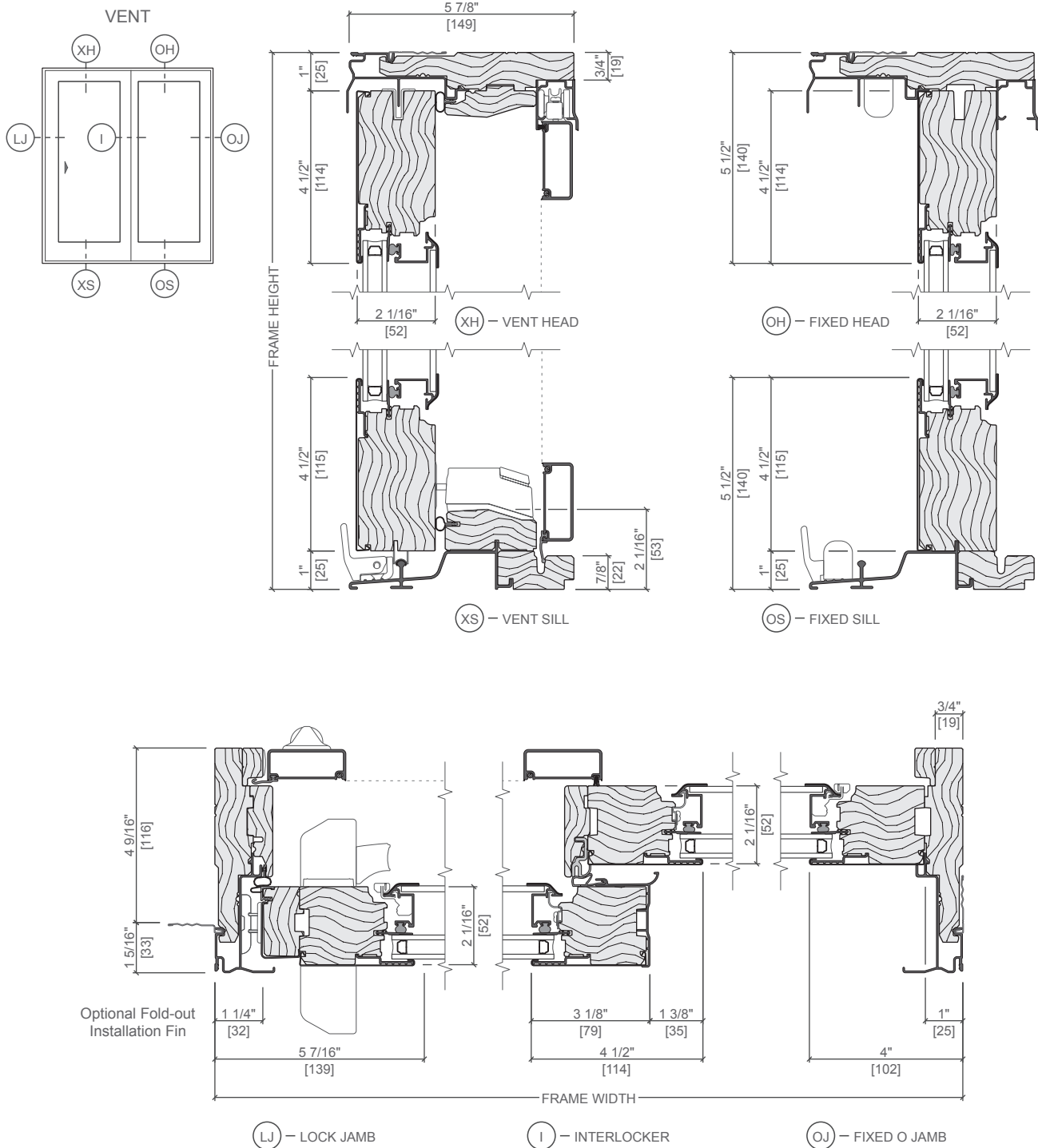
Window Fashions

- Slimshade® Blinds 1
 - 15 mm aluminum slat [tilt-only] [bottom-up] blinds with polyester cord ladder.
 - Installed on the hinged glass panel and controlled by built-in cordless operating mechanism.
- or –
- Cellular Fabric Shades 1
 - Spun bond Polyethylene Terephthalate (PET) cellular fabric, 11/16" in width, hidden polyester cord [bottom-up] [top-down].
 - Installed on the hinged glass panel and controlled by built-in cordless operating mechanism.

(1) Contact your local Pella sales representative for current designs and color options.



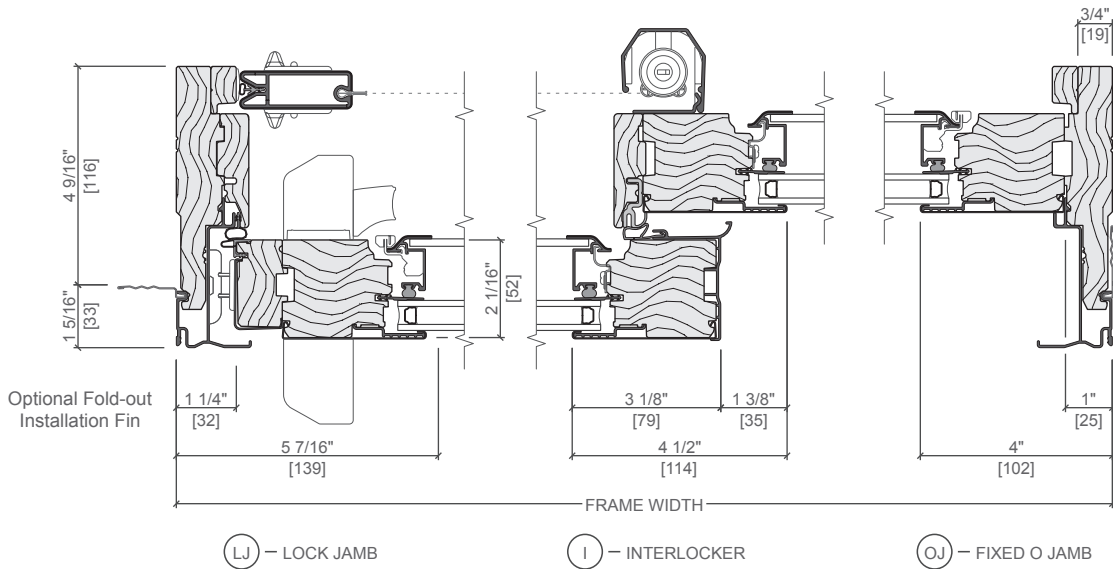
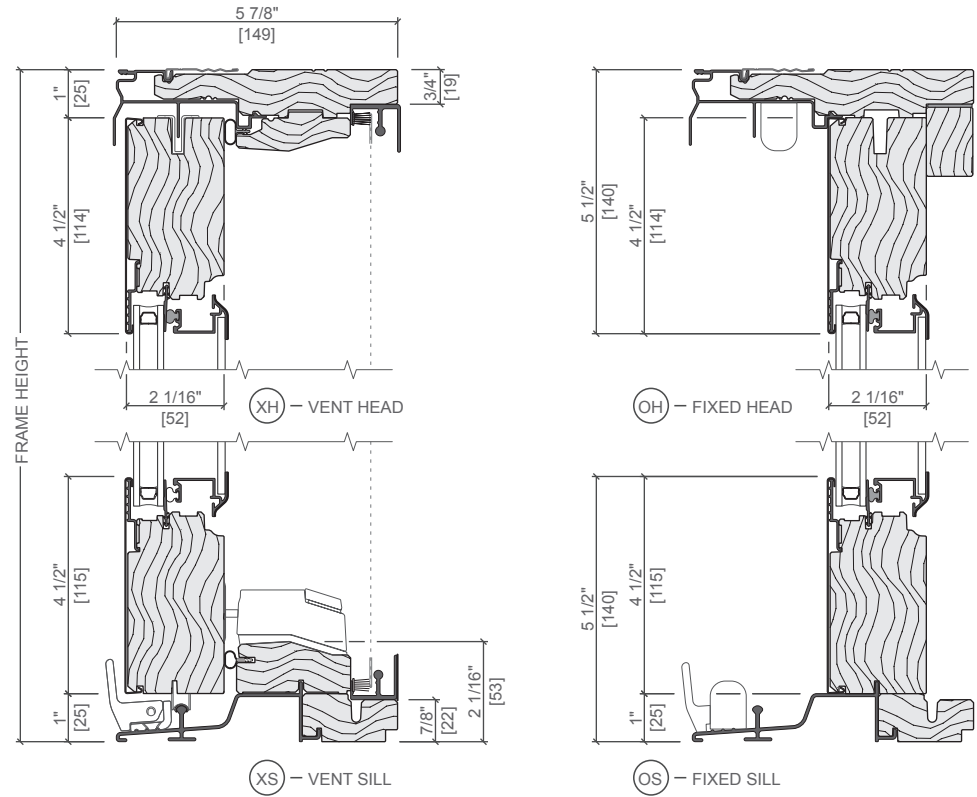
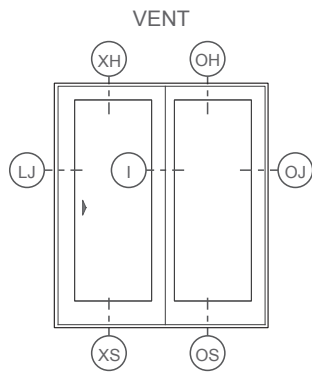
UNIT SECTIONS
 Aluminum-Clad Wood
 Triple-Pane glazing



Scale 3" = 1' 0"
 All dimensions are approximate.



UNIT SECTIONS
Aluminum-Clad Wood
Rolscreen Retractable Screen



Scale 3" = 1' 0"

All dimensions are approximate.



SLIDING PATIO DOOR

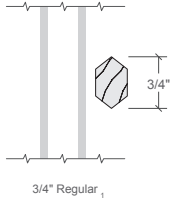
GRILLE TYPES

Typical Grille Profiles and Patterns

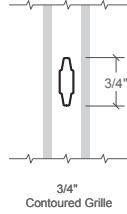


Grille profiles

Removable Interior Pine Grilles

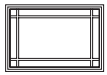


Grilles-Between-the-Glass

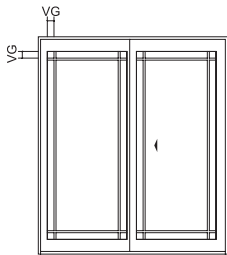


Grille patterns

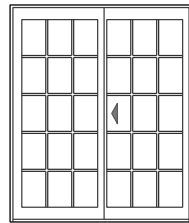
Grilles-Between-the-Glass Patterns



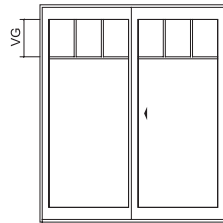
9-Lite
Prairie
Transom



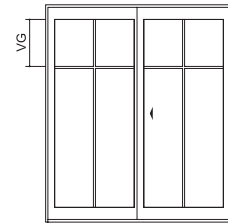
9-Lite Prairie Fixed



Traditional



Top Row



Cross

9-Lite Prairie

- Transom corner lite dimensions = 2-1/2" visible glass.
- Door standard corner lite dimension = 3-1/2" visible glass height and 2-1/2" visible glass width.

Traditional

- Lights will be equally divided.

Top Row

- Not available for frame heights <21".
- Transoms 21", 25" and 29" frame heights, separator bar will be at 1/2 the VG height.
- Doors - Horizontal separator bar may be located 12", 14" or 16"

Cross

- Standard visible glass to separator bar = 1/4 of total visible glass height.
- Not available in transoms.

For traditional patterns, see size tables.

VG = Visible Glass

(1) Grilles are available in traditional patterns only.

Lite dimensions noted can vary.

For size and pattern availability contact your local Pella sales representative.



SLIDING PATIO DOOR

6' 7-1/2" AND 6' 10" SIZE TABLES

Aluminum-Clad Wood



Transoms

Opening	3' 1 ³ / ₈ " (949)	5' 0" (1 524)	6' 0" (1 829)	8' 0" (2 438)
Frame	3' 0 ⁵ / ₈ " (930)	4' 11 ¹ / ₄ " (1 505)	5' 11 ¹ / ₄ " (1 810)	7' 11 ¹ / ₄ " (2 419)
1' 2"	3714	6014	7214	9614
1' 5"	3717	6017	7217	9617
2' 1"	3725	6025	7225	9625

6' 7 1/2" Doors

6' 8"	6' 7 ⁵ / ₈ "		
3780 FIXED (O)	6080 FIXED-VENT (OX)	7280 FIXED-VENT (OX)	9680 FIXED-VENT (OX)

6' 10" Doors

6' 10"	6' 9 ⁵ / ₈ "	
3782 FIXED (O)	6082 FIXED-VENT (OX)	7282 FIXED-VENT (OX)

Not to scale.

T Tempered glass is standard.

Traditional grille patterns shown. Refer to Clad/Wood Overview section for additional patterns and profiles.

All doors are glazed with tempered glass.

Two panel doors—Fixed-Vent (OX), right panel opens, left panel is fixed. Units open in the direction of the arrow as viewed from the exterior.

Vent-Fixed (XO) doors are also available.

Fixed-Vent-Fixed (OXO) doors also available in other combinations.



SLIDING PATIO DOOR

DESIGN DATA

Aluminum-Clad Wood

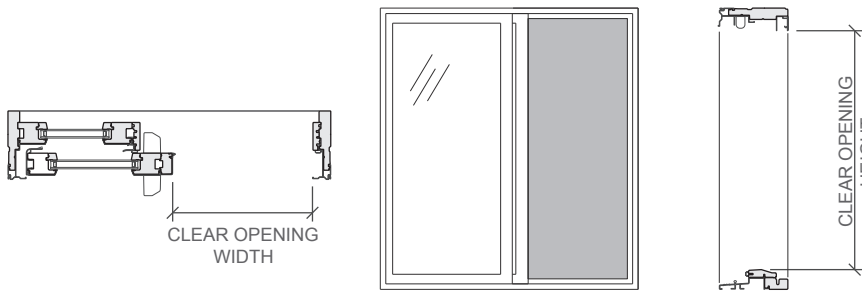


SLIDING DOORS DESIGN DATA

	Unit	Venting	Clear Opening (Inches) ₁		Vent Area Ft ²	Visible Glass Area Ft ²	Standard Glass Thickness (mm)		Performance Class & Grade ₂
			Width	Height			Annealed	Tempered	
DOORS	3780	O	-	-	-	14.2	-	3	R50
	6080	XO, OX	22-7/8	75-3/4	12.0	22.6	-	3	R30 / R50
	7280	XO, OX	28-7/8	75-3/4	15.2	28.3	-	3	R30 / R50
	9680	XO, OX	40-7/8	75-3/4	21.5	39.7	-	4	R30 / R50
	3782	O	-	-	-	14.6	-	3	R50
	6082	XO, OX	22-7/8	77-3/8	12.3	23.3	-	3	R30 / R50
	7282	XO, OX	28-7/8	77-3/8	15.6	29.2	-	3	R30 / R50
TRANSOMS	3714		-	-	-	2.5	2.5	3	CW50
	3717		-	-	-	3.2	2.5	3	CW50
	3725		-	-	-	5.0	2.5	3	CW50
	6014		-	-	-	4.2	2.5	3	CW50
	6017		-	-	-	5.4	2.5	3	CW50
	6025		-	-	-	8.5	2.5	3	CW50
	7214		-	-	-	5.1	2.5	3	CW40
	7217		-	-	-	6.5	2.5	3	CW40
	7225		-	-	-	10.3	3	3	CW40
	9614T		-	-	-	6.8	-	3	CW40T
	9617T		-	-	-	8.8	-	3	CW40T
9625		-	-	-	13.9	3	3	CW40	

Miscellaneous Formulas

	DOORS	TRANSOMS
VISIBLE GLASS	Width of O = Frame - 6-3/4" Width of XO = (Frame - 11-5/8") / 2 Height = Frame - 11-1/16"	Frame - 3-1/4"
ACTUAL GLASS	Width of O = Frame - 5-5/8" Width of XO = (Frame - 9-1/4") / 2 Height = Frame - 9-5/8"	Frame - 2"



Shaded portion shows vent area of door.

(-) = Not Applicable

T = Tempered glass is standard.

(1) All dimensions are approximate to the nearest 1/16".

(2) Maximum performance when glazed with the appropriate glass thickness. Second number, where noted, requires a DP enhancement kit.



SLIDING PATIO DOOR

DETAILED PRODUCT DESCRIPTIONS

Aluminum-Clad Wood



FRAME

- Select softwood, immersion treated with Pella's EnduraGuard® wood protection formula in accordance with WDMA I.S.-4. The EnduraGuard formula includes three active ingredients for protection against the effects of moisture, decay, stains from mold and mildew. Plus, an additional ingredient adds protection against termite damage.
- Interior exposed surfaces are clear pine.
- Exterior surfaces are clad with aluminum at the head and jambs.
- Solid extruded aluminum sill. Finish is Brown EnduraClad® protective finish with oak insert at threshold.
- Factory-installed fold-out installation fins with fin corners.
- Frame depth is 5-7/8" (149 mm) for a wall depth of 4-9/16" (116 mm).
- Optional factory-applied jamb extensions.

DOOR PANELS

- Select softwood, immersion treated with Pella's EnduraGuard® wood protection formula in accordance with WDMA I.S.-4. The EnduraGuard formula includes three active ingredients for protection against the effects of moisture, decay, stains from mold and mildew. Plus, an additional ingredient adds protection against termite damage.
- Interior exposed surfaces are veneered with clear pine with no visible fastener holes.
- Exterior surfaces are clad with aluminum.
- Panel rails are three-ply construction, randomly finger-jointed blocks laminated with water-resistant glue.
- Corners are silicone-sealed and secured with metal fasteners and structural adhesive.
- Panel thickness is 1-7/8" (48 mm).
- Vent panels have two adjustable permanently-sealed electroplated steel ball-bearing rollers with organic coating, set on stainless steel track, standard.
 - or -
- Two adjustable corrosion-resistant stainless steel ball-bearing rollers; out of-unit option.

WEATHERSTRIPPING

- Dual extruded polypropylene TPE bulb at head, jamb, sill and vent panel interlocker.

GLAZING SYSTEM

- Quality fully-tempered float glass complying with ASTM C 1048.
- Silicone-glazed 3/4" [obscure 1] dual-seal insulating glass [[Advanced] [SunDefense™] [AdvancedComfort] [NaturalSun] Low-E coated, with argon].
- High altitude glazing available.

EXTERIOR

- Aluminum clad exteriors shall be finished with EnduraClad® protective finish, in a multi-step, baked-on finish.
- Color is [standard: [White] [Tan] [Brown] [Putty]] [feature: [Poplar White] [Hartford Green] [Black] [Brick Red] [Morning Sky Gray] [Portobello]].

INTERIOR

- [Unfinished, ready for site finishing] [factory-primed with one coat acrylic latex] [factory prefinished [White] [Bright White] [Linen White]] [stain 3]].

HARDWARE

- Interior handle and thumb lock finish is [Endura Hardware™ collection Bright Brass] [Satin Nickel]] [baked enamel, [Champagne] [White] [Brown]] [Oil-Rubbed Bronze].
- Exterior handle finish is baked enamel, color to match door cladding.
- Optional keylock with Schlage® configured C-K keyway pinlock cylinder. Finish is [Bright Brass] [Oil-Rubbed Bronze] [baked enamel, Brown] [Stainless Steel].
- The optional foot bolt has a [Champagne] [Brown] finish.
- Screen handle finish is [Champagne] [White] [Brown].

OPTIONAL PRODUCTS

Grilles

- Removable Grilles
 - 3/4" Traditional removable solid pine wood grilles steel-pinned at joints and fitted to panel with clips.
 - Interior [unfinished, ready for site finishing] [factory primed] [pine: factory prefinished [White] [Bright White] [Linen White]] [stain 3]].
 - Exterior [unfinished, ready for site finishing] [factory primed] [factory prefinished, finish color matched to exterior cladding 4].
 - or -
- Grilles-Between-the-Glass 1
 - Insulating glass contains 3/4" contoured aluminum grilles permanently installed between two panes of glass.
 - Patterns are [Traditional] [9-Lite Prairie] [Cross] [Top Row] [Custom - Equally Divided].
 - Interior color is [White] [Tan 2] [Brown 2] [Putty 2] [Ivory] [Brickstone] [Harvest] [Cordovan].
 - Exterior grilles match the exterior cladding color 4.

Screens

- InView™ Screens
 - Vinyl-coated 18/18 mesh fiberglass screen cloth complying with SMA 1201, set in aluminum frame fitted to inside of door, supplied complete with all necessary hardware.
 - Screen frame finish is [White interior/exterior] [Wood interior [factory primed] [factory stain matched 3] [unfinished ready for site finishing] color matched exterior].

(1) Available on units glazed with Low-E insulated glass with argon, clear insulated glass and obscure insulated glass. White exterior grille color with a traditional pattern is the only option available for clear insulating glass.

(2) Tan, Brown and Putty Interior GBG colors are available in single-tone (Brown/Brown, Tan/Tan or Putty/Putty) (Putty mono available spring 2015). Other interior colors are also available with Tan or Brown exterior.

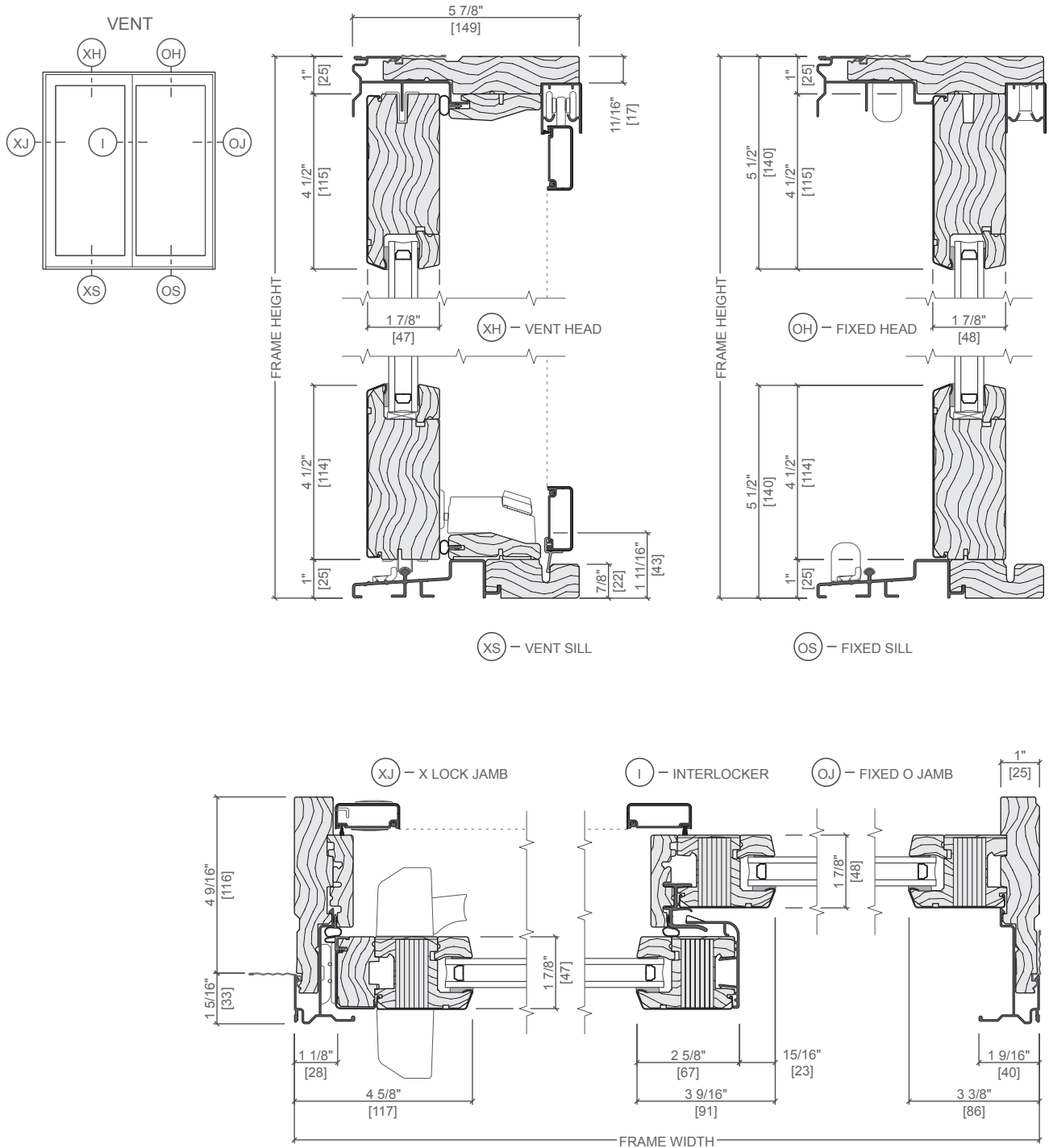
(3) Contact your local Pella sales representative for current color options.

(4) Appearance of exterior grille color will vary depending on Low-E coating on glass.



SLIDING PATIO DOOR

UNIT SECTIONS
Aluminum-Clad Wood

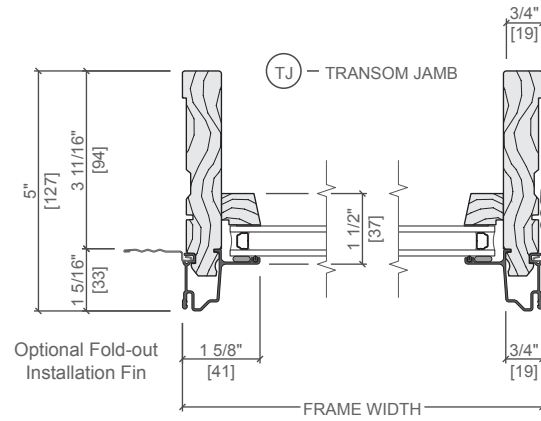
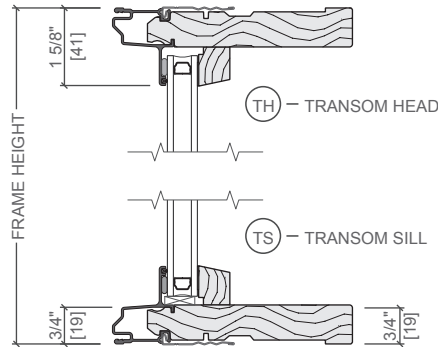
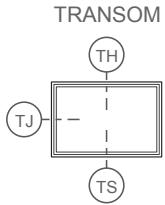
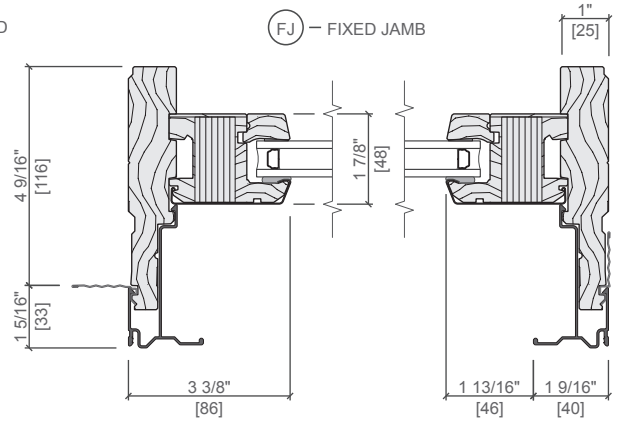
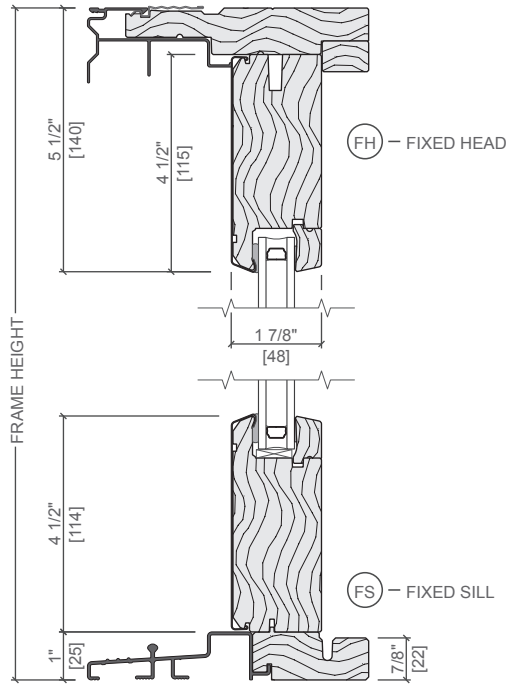
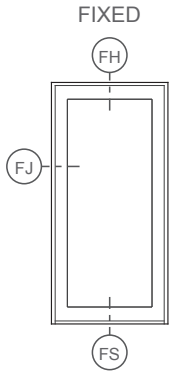


Scale 3" = 1' 0"
All dimensions are approximate.

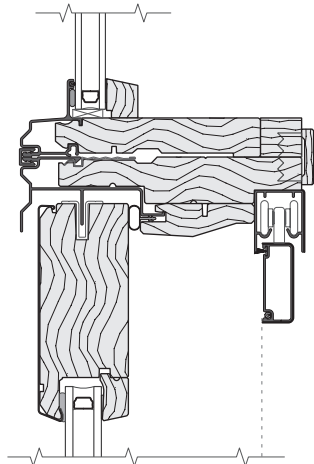


SLIDING PATIO DOOR

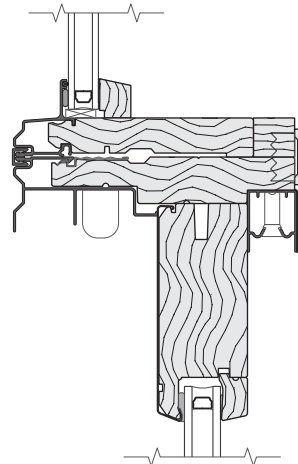
UNIT SECTIONS
Aluminum-Clad Wood



TYPICAL JOINING MULLIONS



HORIZONTAL JOINING MULLION
TRANSOM / SLIDING CONTEMPORARY DOOR (VENT)



HORIZONTAL JOINING MULLION
TRANSOM / SLIDING CONTEMPORARY DOOR (FIXED)

Scale 3" = 1' 0"
All dimensions are approximate.