



**BIRD•B•GONE**™  
INC.

Installation and Applications

# BIRD•B•GONE SPIKE Stainless Steel

## Description

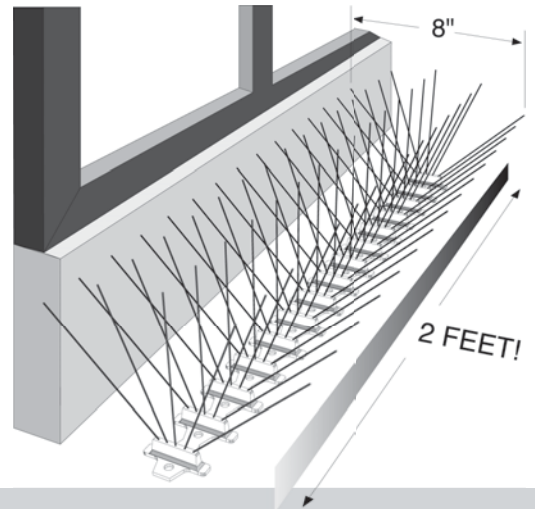
Patent # US 6250023 US 7596910

Bird-B-Gone Spike - Stainless Steel is the most effective permanent protection against bird landings. It is constructed of Stainless Steel spikes manufactured into a U.V. protected polycarbonate base. Perma Spike Stainless Steel's patent pending design provides extra strength and stability, and unlike other products, it will not rust or deteriorate under extreme conditions. Bird-B-Gone Spike - Stainless Steel has an industry leading 10 year guarantee.

**Widths:** 1", 3", 5", & 8"

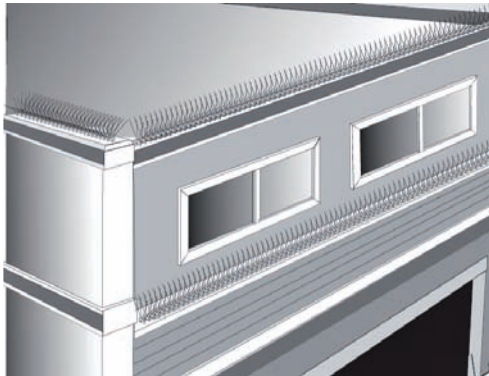
**Length:** 2' Sections

**Packaging:** Bird-B-Gone Spike - Stainless Steel is packaged with 25 two foot sections per box. Each box has 50' total.



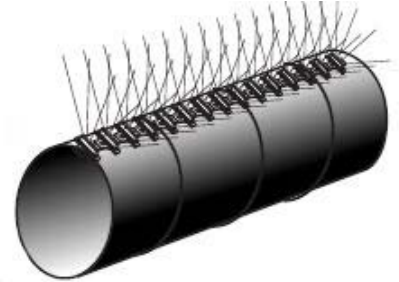
## Applications

Bird-B-Gone Spike Stainless Steel is a versatile product that can be easily installed on a variety of surfaces:



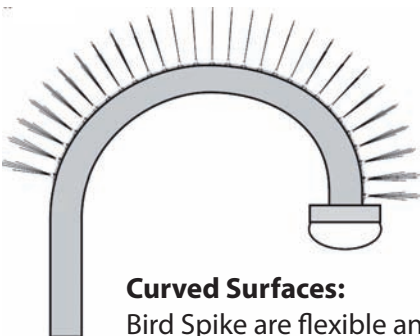
### Ledges:

Birds can often be found congregating on ledges and rooftops. Install Bird-B-Gone Spike - Stainless Steel to keep birds from creating unsightly messes or damaging building materials.



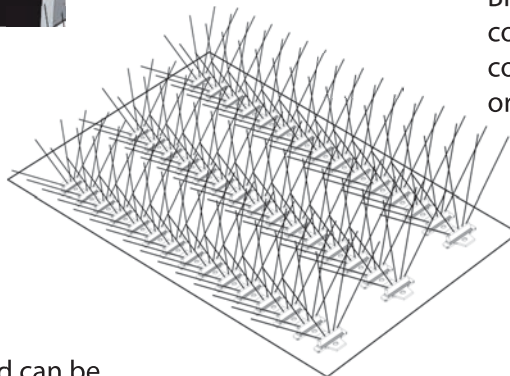
### Conduits:

Bird Spikes can be attached to conduits, gutters and pipes using common hose clamps, nylon ties or wire lashings.



### Curved Surfaces:

Bird Spikes are flexible and can be installed by using common hose clamps, nylon ties, or wire lashings.



### Flat Surfaces:

Bird Spikes can be installed in multiple rows for wider areas.

**IMPORTANT!** Observe all cautions and warnings listed in instructions prior to installation.



### Caution!

READ AND FOLLOW ALL INSTRUCTIONS PRIOR TO ATTEMPTING TO INSTALL BIRD-B-GONE SPIKE - STAINLESS STEEL. SPIKES ARE SHARP...BE SURE TO WEAR GLOVES AND SAFETY EYE WEAR. KEEP OUT OF REACH OF CHILDREN AND PETS. DO NOT INSTALL WHERE HUMAN PHYSICAL CONTACT IS POSSIBLE.

### 1. Thoroughly clean all surfaces before installing Bird-B-Gone Spikes.

**Suggestion:** Use a 10% bleach or ammonia solution to disinfect the area. It is important that all debris is removed including overhanging branches, leaves, and nesting materials before disinfecting the area.

**DUE TO INFECTIOUS DISEASES ASSOCIATED WITH BIRD FECES, BE SURE TO USE EXTREME CARE WHEN REMOVING NESTS AND DROPPINGS.**

### 2. Determine method for attaching Bird Spikes.

**\*For Wood:** Use wood screws to secure Bird Spikes into a wood surface. There are two sets of holes between each "fan" of spikes. Make sure the ends are secured tightly and at least one screw is placed every six inches.

**\*For Concrete:** Outdoor construction adhesive can be used to secure Bird Spikes down to a variety of surfaces. Bird-B-Gone sells a polyurethane adhesive meant for outdoor use. Each tube will cover approx. 25 feet of spike. Silicone adhesives are not recommended. For extra security, screw or bolt down the spikes along with using an adhesive.

### 3. When using Adhesives:

- Run a bead line of adhesive down the underside of the spike. (Illus #1) Also put a dollop of adhesive on each screw hole., allowing the adhesive to mushroom up for more effective adhesion.

-Carefully place strip onto the surface. Ensure that no more than 1 inch of open space is left around the edges or by the back wall.

### 4. Adapting to Size:

Bird-B-Gone Spike - Stainless Steel comes in 2 foot sections, but can easily be cut down into smaller lengths if needed using tin snips, wire cutters, a hacksaw etc.

1/4" glue trough / holes for easy adhesive attachment

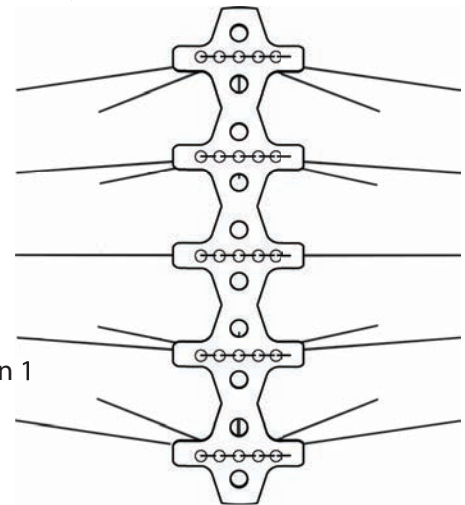
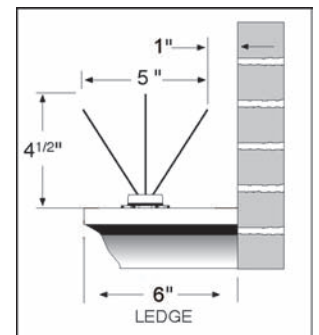
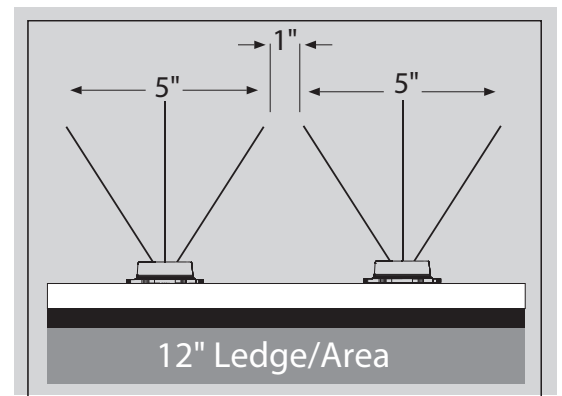


Illustration 1



\*Do not leave more than an inch of space in front or behind the spike.

If you have any questions regarding Bird Spike Installation call us at 1-800-392-6915 / 949-472-3122