

**Rakks**<sup>®</sup>  
In supporting roles everywhere

## L- Bracket Shelving System

Offering a dramatic new look and function in pole supported shelving, the Rakks L-Bracket system provides unparalleled design flexibility, strength and value.

Available in both floor-to-ceiling and wall supported configurations this new design features quick and infinite shelf adjustment utilizing one hidden screw. Cabinets can be easily attached to the poles to create attractive wall storage units and room partitions.



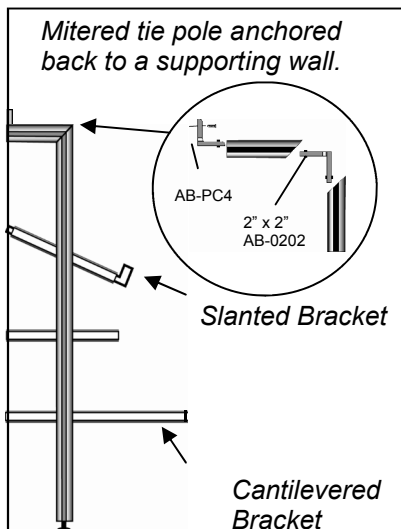
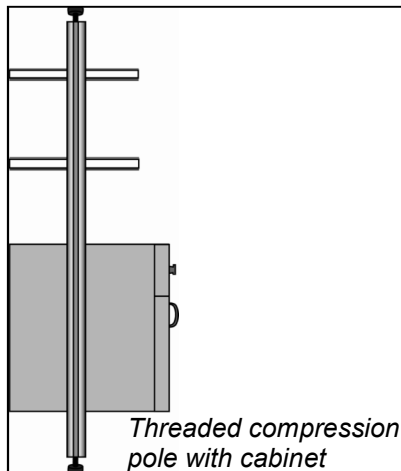
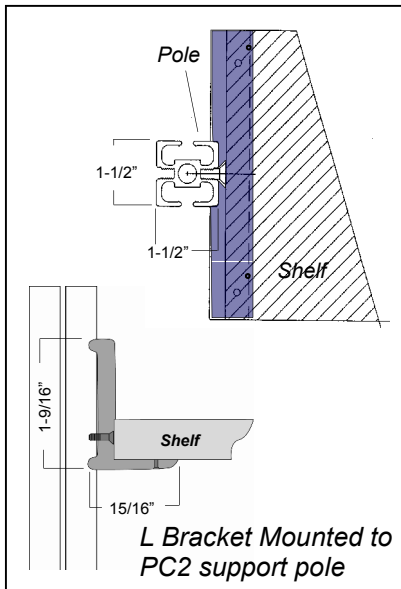
PC2 Poles with mitered tie brackets and IKEA EFFECTIV cabinets



PC2 Poles floor to ceiling with 1/2" thick glass shelves, Water & Fire, Newton, MA

Engineered and manufactured  
In the United States by:  
Rangine Corporation,  
Needham, Massachusetts  
[www.rakks.com](http://www.rakks.com)

## L-Bracket Shelving System



Patent Pending

### Features:

**PC2 Support Poles** have extruded “C” channels on each face and threaded channels on each side. The threaded channels accept 1/4-20 screws that are used to mount L-Brackets and cabinets to the poles. The “C” channels accept anchor brackets, channel nuts and the full range of Rakks Shelf Support Brackets.

**Model PC2-XXX**  
(XXX denotes length in inches)

**Pole Configurations.** Poles can be mounted under compression between the floor and ceiling or bracketed back to a supporting wall using mitered tie poles and anchor brackets.

**L-Brackets** attach to PC2 poles with one 1/4-20 screw. When used with 3/4” thick shelves the mounting hardware is hidden. Brackets are infinitely adjustable, can support shelves up to 24” deep and hold up to 150 pounds per pair. Brackets can be ordered in custom lengths, angles, and configurations.

**Model BL-XX**  
(XX denotes shelf depth).

**Shelves** are supported at each end by the L-brackets and do not require finished ends. Wood shelves can be screwed to the brackets using pre-drilled and countersunk holes. Retaining pins are available to allow the use of Rakks (SA series) extruded aluminum shelves.

**Finishes** all visible components are stocked in clear or black anodized and white powder coated finishes.

### Specifications:

#### Support Poles

- Size: 1 1/2” x 1 1/2” profile up to 144” length
- Material: 6063-T6 extruded aluminum hollow
- Finish: Clear, black anodized, white powder coat
- Channels: 2 opposing threaded channels accept 1/4-20 screws. 2 continuous “C” channels accept Rakks pole accessories and shelf support brackets.
- Hardware: Adjustable glide 1 5/8” diameter with 3” threaded stem and brass insert. Top glide drilled to accept #6 screws for attachment to ceiling.
- Weight: 1.056 pound per foot
- Capacity: 1000# distributed load

#### L- Brackets

- Size: 1-9/16” x 15/16”- lengths vary from 8” to 24” in two inch increments. Wall thickness at pole - 3/16”
- Holes: One 9/32” hole is predrilled and counter sunk to accept a 1/4-20 x 1/2” flat head screw - included. Supporting lip has two holes drilled and countersunk for #6 screws used to secure wood shelves to bracket
- Material: 6063-T6 extruded aluminum
- Finish: Clear, black anodized, white powder coat
- Capacity: 150# per pair
- Options: Custom lengths, angles, configurations. Double retaining pins to secure extruded aluminum shelves.

#### Mitered Tie Pole Configuration

- Size: Various to accommodate shelf depth
- Anchors: AB-0202 hidden bracket with set screws to attach pole to tie pole. (mill finish only) AB-PC4 bracket with set screw and two 5/32” holes for #6 screws - to attach tie-pole to wall.
- Finish: Clear, black anodized, white powder coat

*See Rakks Specifications guide for additional shelving components*

**Rangine Corporation**  
330 Reservoir Street  
Needham, Massachusetts 02494  
800-826-6006  
781-455-8700  
781-455-8702 (fax)