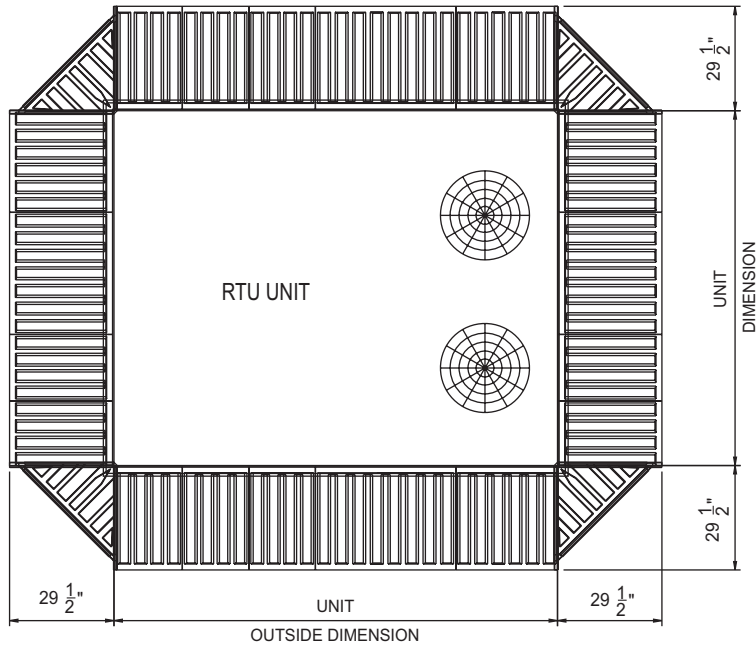
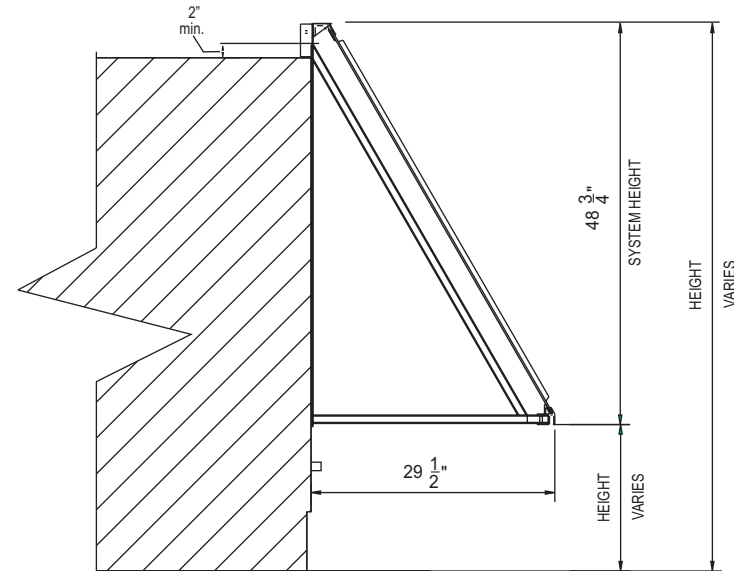


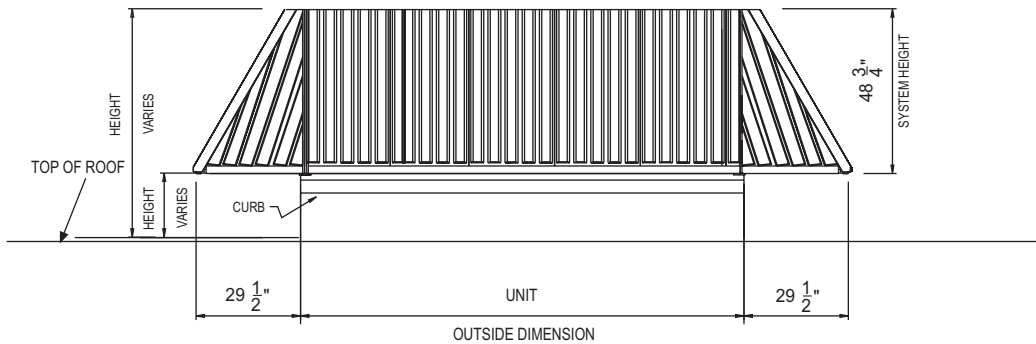
52 CANTED STYLE ENVISOR  
FOOTPRINT




52 CANTED STYLE ENVISOR  
SECTION



52 CANTED STYLE ENVISOR  
ELEVATION



NOTE: The Screen System shown corresponds to a typical construction of the Envisor 52 Canted Style using Flat Rib Panels. This drawing is intended to illustrate general dimensions of the Envisor System when installed on an average Roof Top Unit. Dimensions and specifications of the system can vary depending on the RTU's location to each other and performance characteristics.

SALES PERSON		DESIGNER	APPRV.BY/DATE	PROJECT	Envisor® 52 Canted Style General Specifications
DATE 6/7/01		LAST REVISION 9/13/04		CLIENT	
DRAWING No. 100393S5.FH9 (52CANTED091304.PDF)			SCALE none	 4200 Lyman Court, Hilliard, Ohio 43026 Ph. (877) SCREENS Fax (800) 726-4817 www.cityscapesinc.com	
THIS DRAWING IS SUBMITTED BY CITYSCAPES INTERNATIONAL, INC. FOR YOUR PERSONAL USE AS AN AID IN PROJECT PLANNING. IT IS NOT TO BE REPRODUCED, EXHIBITED, OR FABRICATED IN ANY FASHION WITHOUT PERMISSION FROM AN AUTHORIZED OFFICER OF THE COMPANY. ENVISOR IS A REGISTERED TRADEMARK OF CITYSCAPES INTERNATIONAL, INC.					