

LOCKING PULL SYSTEM

SIMPLE. DURABLE. BEAUTIFUL.



LOCKING PULL SYSTEM



SIMPLE, DURABLE, BEAUTIFUL DESIGN FOR SWINGING AND SLIDING DOORS

Since 1946 Rockwood Manufacturing has produced quality builders hardware, specializing in door trim and architectural door pulls.

The LP Series integrates Rockwood's contemporary postmount style door pull with a deadbolt locking system. Engineered for ease of installation, the locking pull is manufactured to ensure strength and durability with clean and appealing lines.

Features:

- Key operated from outside; turn piece from inside
- Cylinder options: Yale® Para keyway, Yale K680 SFIC housing, or less cylinder
- Door types: ½" – 1" thick glass, 1¾" – 2¼" thick aluminum, hollow metal or wood doors
- Multiple locking options: floor; head or both
- 2" bolt projection from face of door to centerline of bolt
- Bolt throw is 1⅜" with fine adjustment
- Available in brass, bronze and stainless steel

Benefits:

- Cylinder and thumb turn located 48" * above floor eliminates physical strain when locking and unlocking
- Glass door applications secure the opening without bulky patch fittings or rails
- Deadbolt concealed inside pull provides a clean, streamlined look
- Simple door preparation allows for faster installation
 - Requires only 2 holes for half height pulls, 3 holes for full height
- Suites with popular Rockwood door pulls creating a continuum of design
- Offers flexibility in custom sizes for a variety of applications

*Available in 44" height to meet CA Title 24

AESTHETIC OPTIONS

LP3301 Series

PostMount - This basic post mounted pull is a clean and simple design. The simplicity adds contemporary beauty to standard entrance doors.



LP3401 Series

GripZone - This beautiful bright and brushed two-tone finish provides a "wear" area for gripping the pull. This minimizes the appearance of small scratches caused by rings and keys.



LP6061 Series

English Bridle Leather Wrapped - Authentic J & E Sedgwick & Co. Ltd. bridle leather imported from Walsall, England is hand sewn by a talented craftsman. Typically used for saddles and equestrian products, this smooth durable leather is suitable for both interior and exterior applications.



LP6161 Series

Upholstery Leather Wrapped - Supple yet durable leather (used for aircraft seat surfaces) makes a discriminating statement. Available in two standard colors and a palette of others on special order.



the good design studio

The Good Design Studio — your resource for beautiful doors, frames and hardware from ASSA ABLOY Group brands.

Visit www.thegooddesignstudio.com to learn more.



McKinney two knuckle hinge with square tips



SARGENT RAL and Corbin Russwin 21L leather wrapped lever



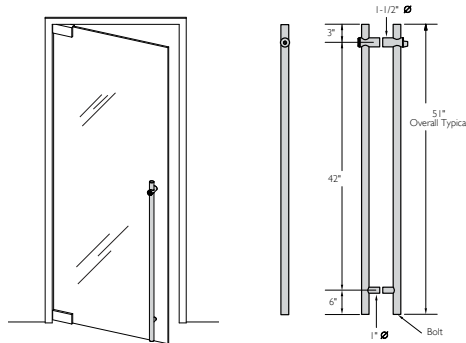
Rockwood leather cabinet pull (above) and door pull (at right)



CHOOSE FROM THREE MODELS

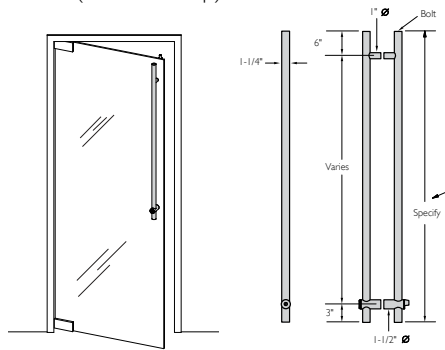


Half Height Pull - Bolts Down DBD (Dead Bolt Down)



*Or as specified

Half Height Pull - Bolts Up DBU (Dead Bolt Up)



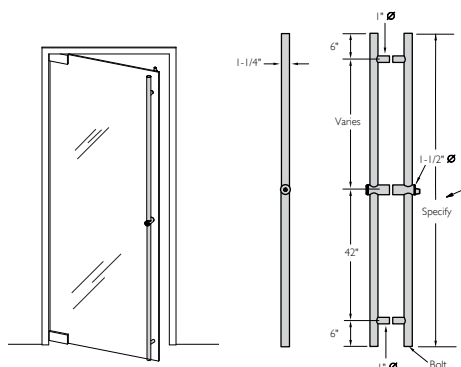
Recommended Lengths for Door Size

Door Size	84"	96"	108"	120"
Typical Pull Length*	38"	50"	62"	70"

* Nominal Length – Pulls will be sized to fit your job condition, placing cylinder at 48" (or as specified) above floor level.

Full Height Pull - Single and Dual Bolt Models

FHD (Full Height Down) - Bolts Down
FHU (Full Height Up) - Bolts Up
FHB (Full Height Both) - Bolts Up and Down



Recommended Lengths for Door Size

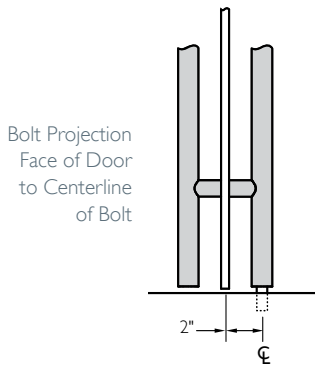
Door Size	84"	96"	108"	120"
Typical Pull Length*	82"	94"	106"	118"

* Nominal Length – Pulls will be sized to fit your job condition, placing cylinder at 48" (or as specified) above floor level.

APPLICATION DETAILS

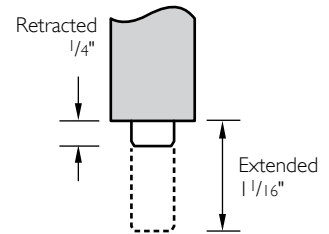
GLASS DOORS

Projection from Door



All glass door applications include a bushing and washer to insulate the glass from the pull. Sturdy fasteners securely attach the pull to the door making for a durable, trouble free installation. Simple glass prep requires two (or three) round holes.

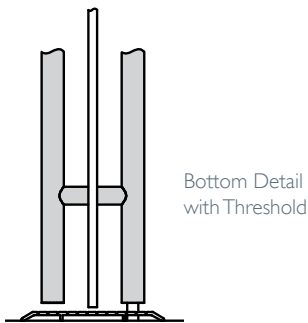
Bolt Adjustment



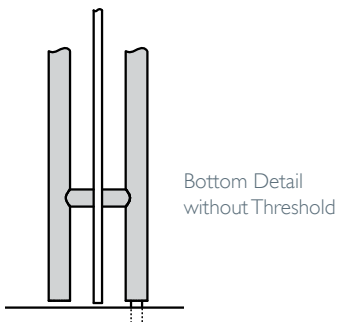
Adjusts 1/4" in and out from the shown factory settings.

Bolt into Floor Models - Detail at Floor

- DBD - Half Height Pull - Bolts Down
- FHD - Full Height Pull - Bolts Down
- FHB - Full Height Pull - Bolts Up and Down

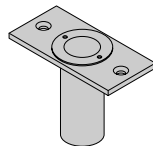


Bottom Detail with Threshold



Bottom Detail without Threshold

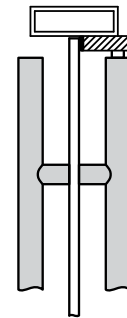
Suggested Option



Dustproof Strike #570

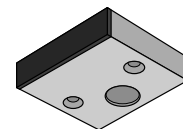
Bolt into Head Models - Detail at Head

- DBU - Half Height Pull - Bolts Up
- FHU - Full Height Pull - Bolts Up
- FHB - Full Height Pull - Bolts Up and Down



Head Detail with Surface Strike
Typical configuration shown

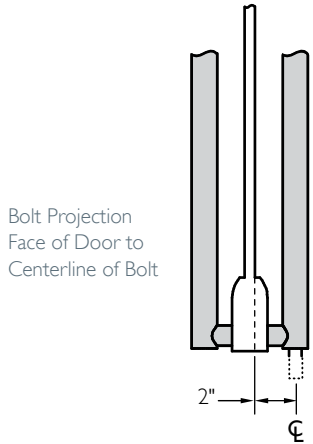
Included Strike



APPLICATION DETAILS

GLASS DOORS WITH RAILS

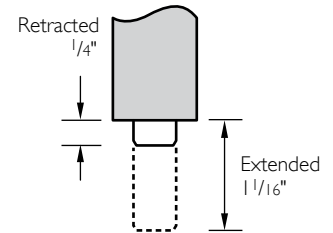
Projection from Door



Glass doors with rails require a short projection post at the rail end. Reinforcement for rails are supplied to make a sturdy attachment point. The lock housing requires a 1 $\frac{3}{16}$ " diameter hole through the glass*.

*If rail height is less than 5", standard glass mount can be used.

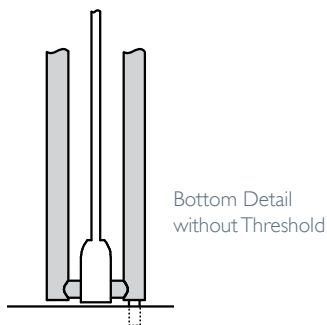
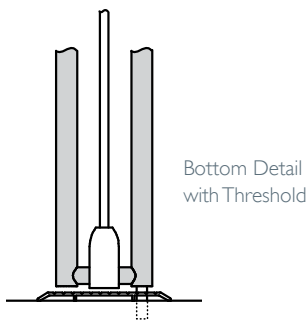
Bolt Adjustment



Adjusts 1/4" in and out from the shown factory settings.

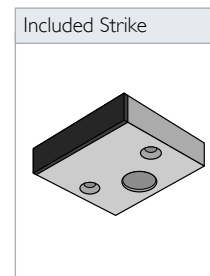
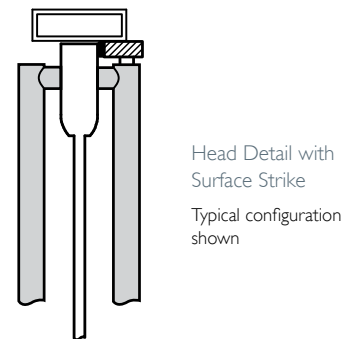
Bolt into Floor Models - Detail at Floor

- DBD - Half Height Pull - Bolts Down
- FHD - Full Height Pull - Bolts Down
- FHB - Full Height Pull - Bolts Up and Down



Bolt into Head Models - Detail at Head

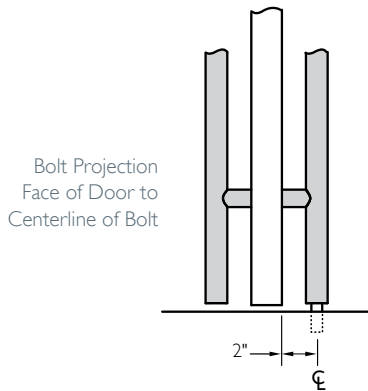
- DBU - Half Height Pull - Bolts Up
- FHU - Full Height Pull - Bolts Up
- FHB - Full Height Pull - Bolts Up and Down



APPLICATION DETAILS

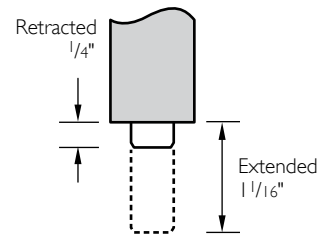
ALUMINUM, WOOD AND HOLLOW METAL DOORS

Projection from Door



Locking pulls are available for all types of 1³/₈" to 2¹/₂" thick doors – aluminum, wood or hollow metal. The simple installation and convenience of the lock at hand level location make this an ideal solution for openings where a dead bolt and standard pulls are normally used.

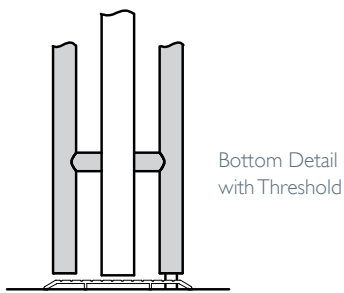
Bolt Adjustment



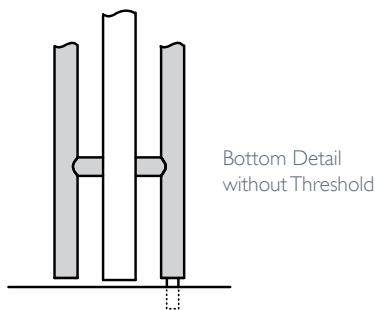
Adjusts 1/4" in and out from the shown factory settings.

Bolt into Floor Models - Detail at Floor

- DBD - Half Height Pull - Bolts Down
- FHD - Full Height Pull - Bolts Down
- FHB - Full Height Pull - Bolts Up and Down



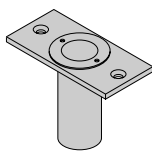
Bottom Detail with Threshold



Bottom Detail without Threshold



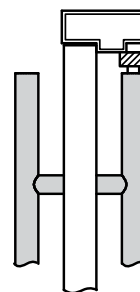
Suggested Option



Dustproof Strike #570

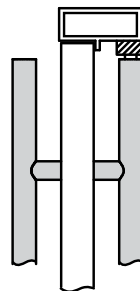
Bolt into Head Models - Detail at Head

- DBU - Half Height Pull - Bolts Up
- FHU - Full Height Pull - Bolts Up
- FHB - Full Height Pull - Bolts Up and Down



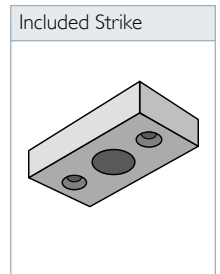
Hollow Metal Frame Head Detail with Surface Strike

Typical configuration shown



Aluminum Frame Head Detail with Surface Strike (single acting offset pivot)

Typical configuration shown



Included Strike

ORDERING INFORMATION

Series	Description
LP330I	PostMount
LP340I	GripZone
LP606I	English Bridle Leather Wrapped
LP616I	Upholstery Leather Wrapped

Suffix	Description
DBD	Half Height, Bolts Down
DBU	Half Height, Bolts Up
FHD	Full Height, Bolts, Down
FHU	Full Height, Bolts Up
FHB	Full Height, Bolts Up and Down

Available Finishes:		
Satin Stainless Steel	630	(US32D)
Polished Stainless Steel	629	(US32)
Satin Brass	606	(US4)
Polished Brass	605	(US3)
Oil Rubbed Bronze	613	(US10B)

How to Order Example:

Quantity	Series	Suffix	Finish	Leather Color	Door Type	Door Thickness	Door Size	Door Clearance	Frame Type	Stop	Cylinder
1	LP330I	DBD	630	N/A	Glass	1/2"	84"	1/4" at Bottom	Aluminum	None	Less Cylinder
2	LP616I	DBU	613	Brown	Wood	1 3/4"	96"	1/8" at Top	Hollow Metal	5/8"	Yale® Para Keyway

Glass Door Thickness - 3/8" to 7/8"

Aluminum, Wood, Metal Door Thickness - 1 3/8" to 2 1/2"

Cylinder Options - Yale® Para,

Yale K680 SFIC Housing - Less Cylinder

Leather Finish Standard Color Selections

English Bridle Leather



B-LBRN
(Light Brown)



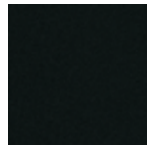
B-BUR
(Burgundy)



B-MBRN
(Medium Brown)



B-DBRN
(Dark Brown)

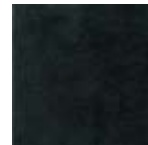


B-BLK
(Black)

Upholstery Leather



U-DBRN
(Dark Brown)



U-BLK
(Black)

Additional Options:

- 446 Door Stop
- 570 Dust Proof Strike
- Custom strikes for unique conditions



446 Door Stop



570 Dust Proof Strike

Contact your local ASSA ABLOY Door Security Solutions team for more information on our Locking Door Pull systems or other Rockwood products.



ASSA ABLOY

ASSA ABLOY is the global leader in door opening solutions, dedicated to satisfying end-user needs for security, safety and convenience.

Rockwood Manufacturing Company
Rockwood, Pennsylvania 15557
Phone: (800) 458-2424 • Fax: (800) 922-9212
www.rockwoodmfg.com • info@rockwoodmfg.com

© 12.10 RMC - RM165