

CRL Frameless 'All-Glass' Custom Restroom Partition System

- For Use With 1/2" (12 mm) Thick Tempered Glass Only (Not Included)
- 2" x 3" (51 x 76 mm) Posts Do Not Interrupt Glass Panels
- No Field Fabrication Required – Built to Your Specifications
- Stainless Steel Posts With Concealed Base Fastener
- Posts Mounted Behind Glass to Maximize Frameless Appearance
- Doors Accommodate Slide-Bolt Latches (Sold Separately)
- Doors are Inswing Only
- Allows Thru-Glass Mounted Optional Fixtures
- Polished Stainless, Brushed Stainless, and Powder Coat Colors Available

new



Choice of Cologne or Vienna Hinges Used With Restroom Partition System

(Hinges Included With Post)



Cologne Series

180 Degrees Glass-to-Glass
(see page 162J)



Vienna Series

180 Degrees Glass-to-Glass
(see page 156J)

The CRL Frameless 'All-Glass' Restroom Partition System will modernize any commercial bathroom area with your choice of multiple architectural finishes. Since metal posts do not interrupt the glass panels, a beautiful frameless environment is attained. No field fabrication is required, ensuring easy installation. Vienna or Cologne Series Hinges are utilized for this system that is designed for use with 1/2" (12 mm) thick tempered glass only (not included). Please contact our Frameless Shower Door Department or send us a drawing (see page 228J). We will generate a quote and provide any further details required.

See Quotation/Ordering Menu on Page 228J



Brackets Used With Restroom Partition System

(Sold Separately)

Fixed Panel Clamps for Glass-to-Wall Fastening



Wall Bracket
(see page 289J)

For Use With Cologne Series Hinges



Wall Bracket
(see page 288J)

For Use With Vienna Series Hinges

CAT. NO.	FINISH	DESCRIPTION
RPS12PS	Polished Stainless	Custom Restroom Partition System
RPS12BS	Brushed Stainless	Custom Restroom Partition System
RPS12P	Painted (Specify Color)	Custom Restroom Partition System

Minimum order: 1 each.

CRL RESTROOM PARTITION SYSTEM

For Pricing Visit crlaurence.com or Call Us Toll Free at the Phone Numbers Shown on the Back Cover

CRL Privacy Lock Used With Frameless 'All-Glass' Restroom Partition System

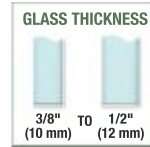
CRL Geneva Privacy Lock for the Restroom Partition System

new

- Slide Bolt Action Makes Lock Compliant With ADA Standards
- Square Style Matches Popular CRL Hardware Such as Geneva and Vienna Hinges
- Ideal for Use With Our 'All-Glass' Restroom Partition System
- Requires a Notch in the Glass
- Available in Chrome and Brushed Nickel Finishes
- For Use With 3/8" to 1/2" (10 to 12 mm) Tempered Glass Doors

The Geneva Glass Door Lock provides privacy for the user while also complying with ADA standards. The easy to slide locking mechanism has an exterior indicator that displays red when locked and blue when unlocked. A low profile screw on the exterior face allows for emergency access. The Geneva Glass Door Lock was developed for use with our 'All-Glass' Restroom Partition System. It can be used in conjunction with our Catalog Number GE90SCB Receiver for glass-to-glass installations, as well as our GE90SC3 Door Stop for single acting doors. Lock and Receiver each include gaskets for 3/8" and 1/2" (10 and 12 mm) glass, Phillips head and Allen head screws, and a hex wrench.

CE
Certification
(See Page 107J)



MODEL GE90SC3
Stop Plate



Exterior View



Interior View



MODEL GE90SCA
Lock

MODEL GE90SCB
Receiver

LOCK CAT. NO.	RECEIVER CAT. NO.	STOP PLATE CAT. NO.	FINISH
GE90SCACH	GE90SCBCH	GE90SC3CH	Polished Chrome
GE90SCABN	GE90SCBBN	GE90SC3BN	Brushed Nickel

Minimum order: 1 each. Locks, Receivers, and Stop Plates can be combined for quantity pricing.

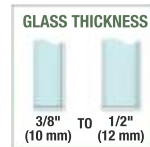
CRL Pinnacle Privacy Lock for the Restroom Partition System

new

- Slide Bolt Action Makes Lock Compliant With ADA Standards
- Beveled Style Matches Popular CRL Hardware Such as Pinnacle and Cologne Hinges
- Ideal for Use With Our 'All-Glass' Restroom Partition System
- Requires a Notch in the Glass
- Available in Chrome and Brushed Nickel Finishes
- For Use With 3/8" to 1/2" (10 to 12 mm) Tempered Glass Doors

The Pinnacle Glass Door Lock provides privacy for the user while also complying with ADA standards. The easy to slide locking mechanism has an exterior indicator that displays red when locked and blue when unlocked. A low profile screw on the exterior face allows for emergency access. The Pinnacle Glass Door Lock was developed for use with our 'All-Glass' Restroom Partition System. It can be used in conjunction with our Catalog Number P190SCB Receiver for glass-to-glass installations, as well as our P190SC3 Door Stop for single acting doors. Lock and Receiver each include gaskets for 3/8" and 1/2" (10 and 12 mm) glass, Phillips head and Allen head screws, and a hex wrench.

CE
Certification
(See Page 107J)



MODEL P190SC3
Stop Plate



Exterior View



Interior View



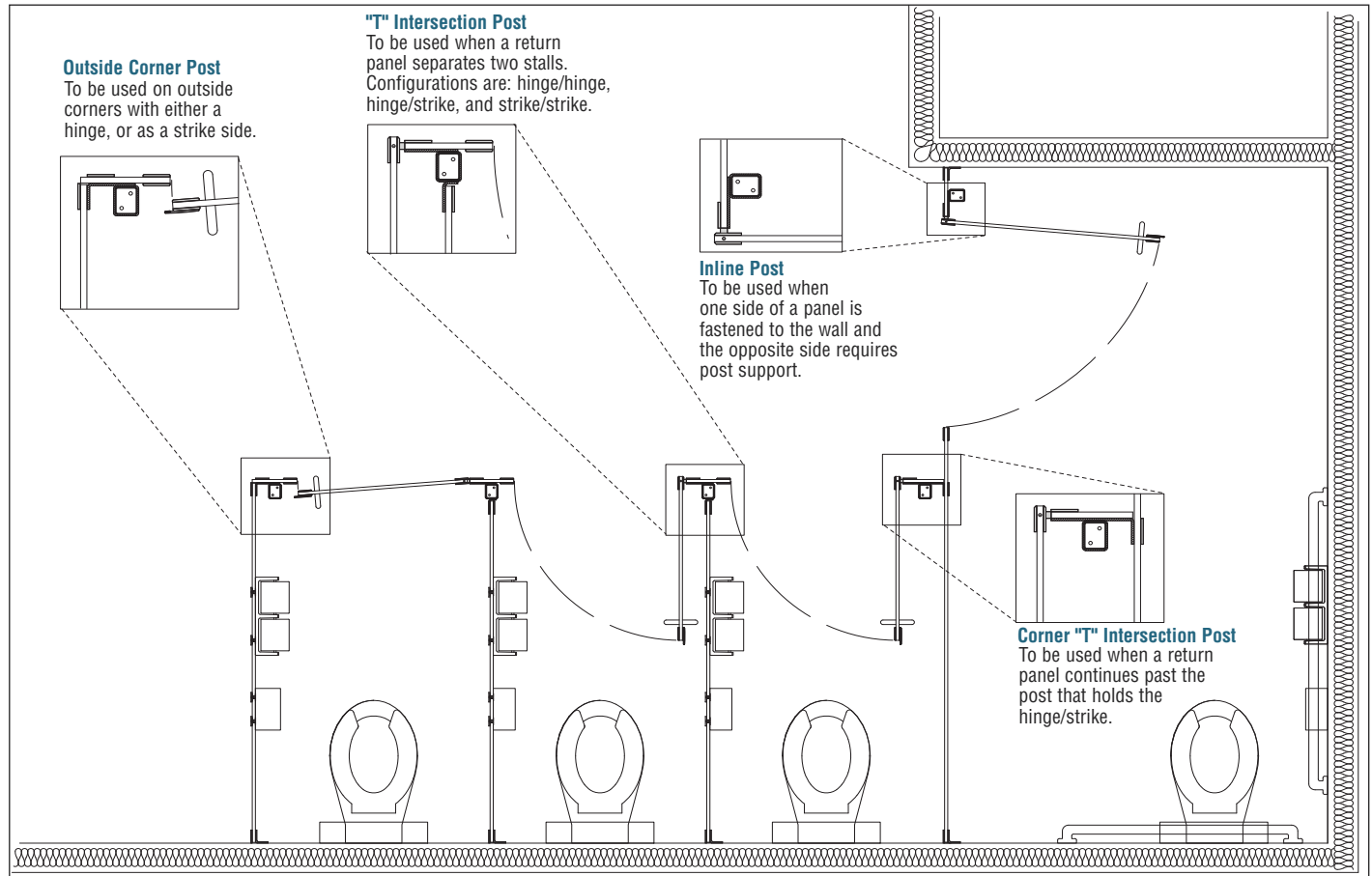
MODEL P190SCA
Lock

MODEL P190SCB
Receiver

LOCK CAT. NO.	RECEIVER CAT. NO.	STOP PLATE CAT. NO.	FINISH
P190SCACH	P190SCBCH	P190SC3CH	Polished Chrome
P190SCABN	P190SCBBN	P190SC3BN	Brushed Nickel

Minimum order: 1 each. Locks, Receivers, and Stop Plates can be combined for quantity pricing.

CRL Frameless 'All-Glass' Custom Restroom Partition System



QUOTATION/ORDERING MENU

Fax to CRL's Shower Door Technical Staff along with your company information at fax number (800) 458-7496 (USA) or (323) 584-5293 (International)

NOTE: Further detailed drawings and specifications can be obtained at crlaurence.com or by contacting our Shower Door Technical Staff

1. HARDWARE COLOR

- Polished Stainless (Polished Chrome Appearance)
- Brushed Stainless (Brushed Nickel Appearance)
- Powder Coated – Specify Color

2. TIGHT FLOOR TO CEILING HEIGHT: _____

3. CEILING BACKING: _____
(Ceiling must have adequate backing to support system)

4. CHOICE OF 180° GLASS-TO-GLASS HINGES

- Cologne Series (Beveled Edges)
- Vienna Series (Square Corner)

5. GLASS HEIGHT: (CRL does not supply glass)

Glass height suggestion is 60" (1.52 m). Standard distance from floor to the bottom of the glass is 12" (305 mm).

6. OTHER HARDWARE REQUESTED

- Slide-Bolt (Specify Choice) _____
- Wall Brackets (Specify Choice) _____
- Handle or Knobs (Specify Choice) _____
- Other _____

7. QUANTITIES OF POST CONFIGURATIONS

- Outside Corner Post _____
- "T" Intersection Post _____
- Corner "T" Intersection Post _____
- Inline Post _____

8. ADDITIONAL NOTES:

C.R. LAURENCE CO. INC.

Restroom Partition System Installation Instructions

Each Restroom Partition Post comes individually packed in it's own tube. Each tube contains all necessary post-mounted hardware including screws and gaskets. Note: Installer must determine and provide appropriate mounting hardware for top and bottom flanges based on the mounting substrate. Upon receipt of your order take a few minutes to confirm that all required hardware has been received. Cross-reference the component list below with the post types listed on your invoice or packing list. Items such as wall mount clamps, wall mount hinges, handles, and locks will be packaged separately. If you believe there is missing hardware please contact C.R. Laurence for assistance at (800) 421-6144 (U.S.A.) or (323) 588-1281 (International). Ask for extension 7740.

Restroom Partition System Component Parts List

RPSFS-Includes

- RPSTF and RPSBF - Top and bottom flanges
- RPSTHSSSP - Small flat mounting plates (2 or 3)
- VIEBP or COLBP - Vienna or Cologne outside cover plates (2 or 3)

RPSFH-Includes

- RPSTF and RPSBF - Top and bottom flanges
- RPSTHSSSP - Small flat mounting plates (2 or 3)
- VIE180 or COL180 - Vienna or Cologne Hinges (2 or 3)

RPSTHS-Includes

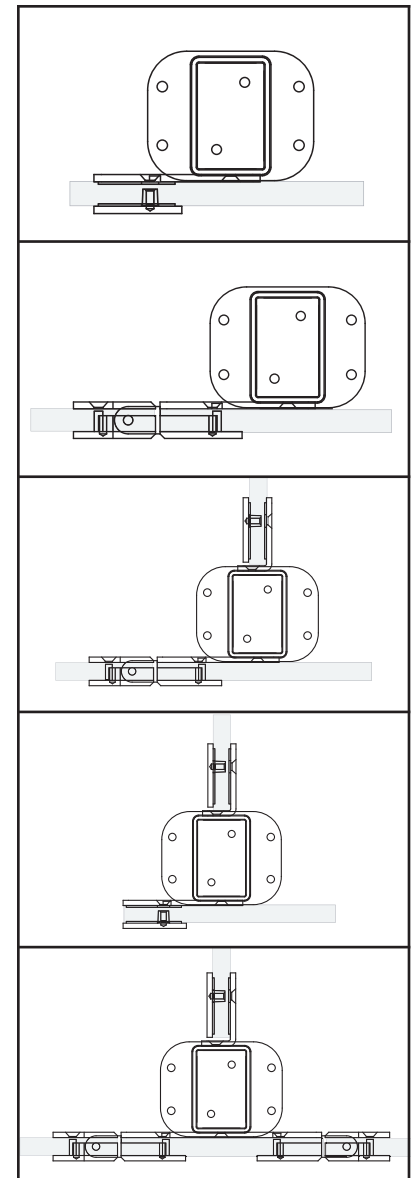
- RPSTF and RPSBF - Top and bottom flanges
- RPSTHSSSP - Small flat mounting plates (2 or 3)
- VIE180 or COL180 - Vienna or Cologne Hinges (2 or 3)
- RPSTP - Small mounting plates for return panel (2 or 3)
- VIEBP or COLBP - Vienna or Cologne outside cover plates (2 or 3)

RPSTSS-Includes

- RPSTF and RPSBF - Top and bottom flanges
- RPSTHSSSP - Small flat mounting plates (2 or 3)
- VIEBP or COLBP - Vienna or Cologne outside cover plates (4 or 6)
- RPSTP - Small mounting plates for return panel (2 or 3)

RPSTHH-Includes

- RPSTF and RPSBF - Top and bottom flanges
- RPSTHHP - Large flat mounting plates for hinges (2 or 3)
- RPSTP - Small mounting plates for return panel (2 or 3)
- VIEBP or COLBP - Vienna or Cologne outside cover plates (2 or 3)
- VIE180 or COL180 - Vienna or Cologne Hinges (4 or 6)



C.R. LAURENCE CO. INC.

RPSOCH-Includes

- RPSTF and RPSBF - Top and bottom flanges
- RPSOCHCTHP - Large bent mounting plates for hinges (2 or 3)
- VIEBP or COLBP - Vienna or Cologne outside cover plates (2 or 3)
- VIE180 or COL180 - Vienna or Cologne Hinges (2 or 3)

RPSOCS-Includes

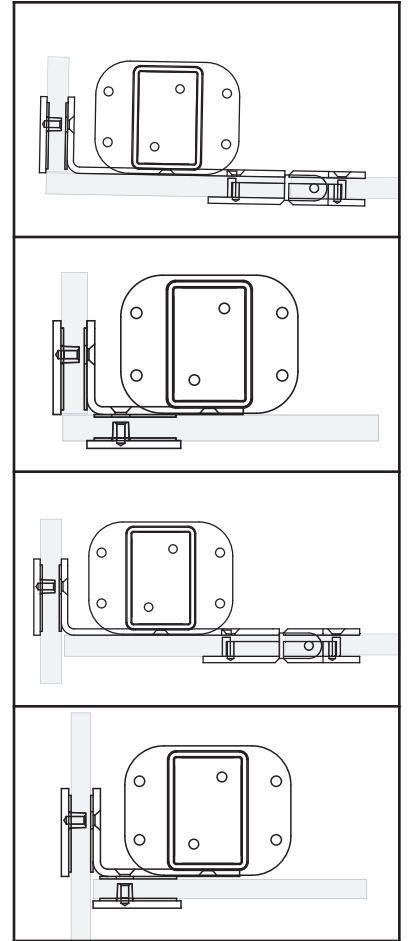
- RPSTF and RPSBF - Top and bottom flanges
- RPSOCSCTSP - Small bent mounting plates (2 or 3)
- VIEBP or COLBP - Vienna or Cologne outside cover plates (4 or 6)

RPSCTH-Includes

- RPSTF and RPSBF - Top and bottom flanges
- RPSOCHCTHP - Large bent mounting plates for hinges (2 or 3)
- VIEBP or COLBP - Vienna or Cologne outside cover plates (2 or 3)
- VIE180 or COL180 - Vienna or Cologne Hinges (2 or 3)

RPSCTS-Includes

- RPSTF and RPSBF - Top and bottom flanges
- RPSOCSCTSP - Small bent mounting plates (2 or 3)
- VIEBP or COLBP - Vienna or Cologne outside cover plates (4 or 6)



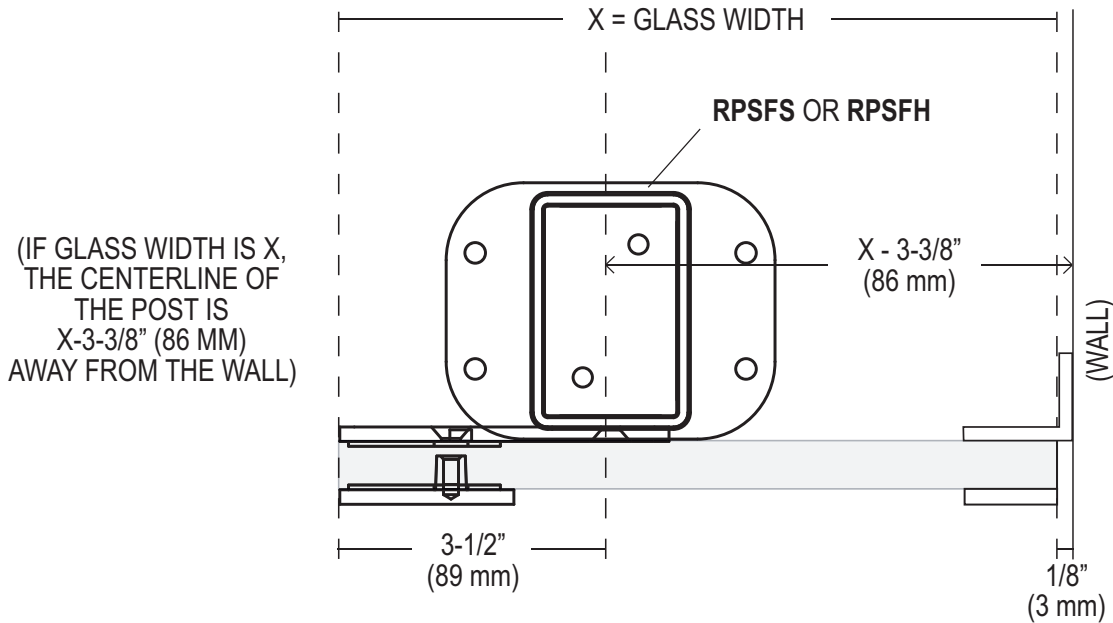
Installation Instructions

1. Determine the location of your posts.

Applies to RPSFH and RPSFS (Fixed Inline Posts)

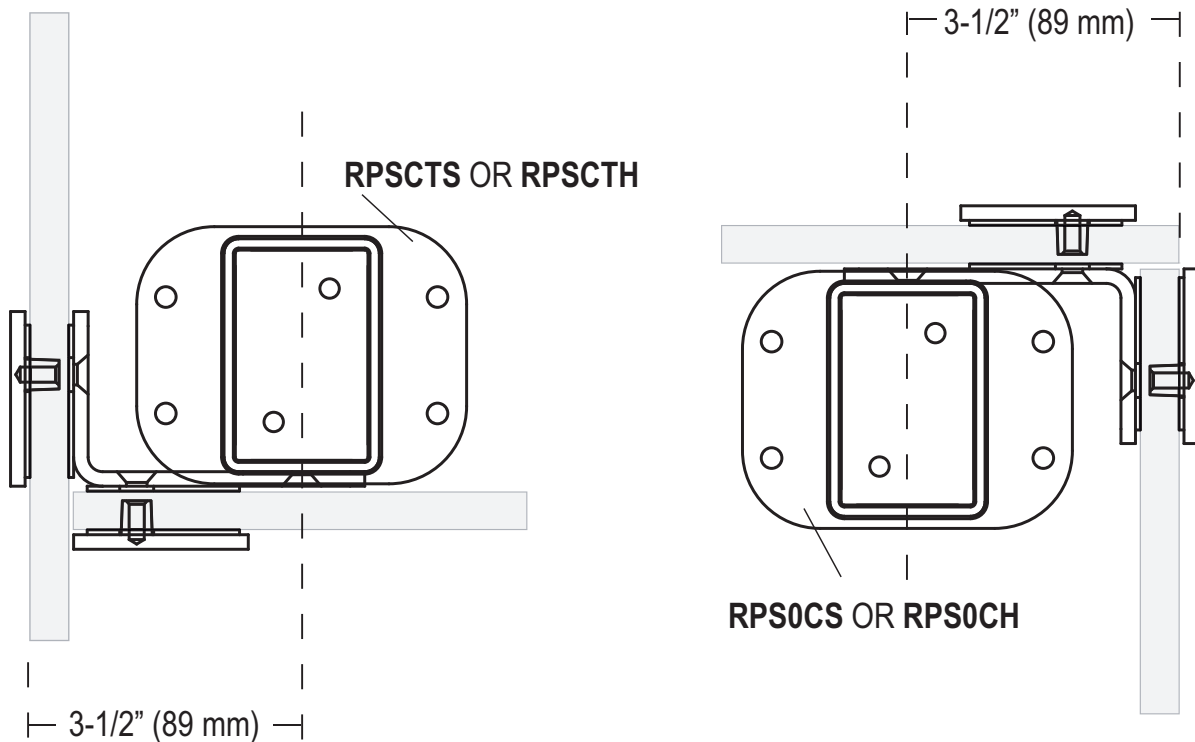
The standard clearance from the wall to a fixed panel is 1/8" (3 mm) and the centerline of the post will be 3-1/2" (89 mm) from the opposite edge of the fixed panel. So, to determine the centerline distance for the post from the wall, take the width of your fixed panel and subtract 3-3/8" (86 mm). For example: if you are installing a RPSFH or RPSFS and the fixed panel mounted to the wall is 10" (254 mm) wide, the center line of the post should be 6-5/8" (168 mm) away from the side wall. $(10" (254 \text{ mm}) - 3-3/8" (86 \text{ mm}) = 6-5/8" (168 \text{ mm})$ See example on next page.

C.R. LAURENCE CO. INC.



Applies to RPSCTS, RPSCTH, RPSOCS, and RPSOCH (Corner-T and Outside Corner Posts)

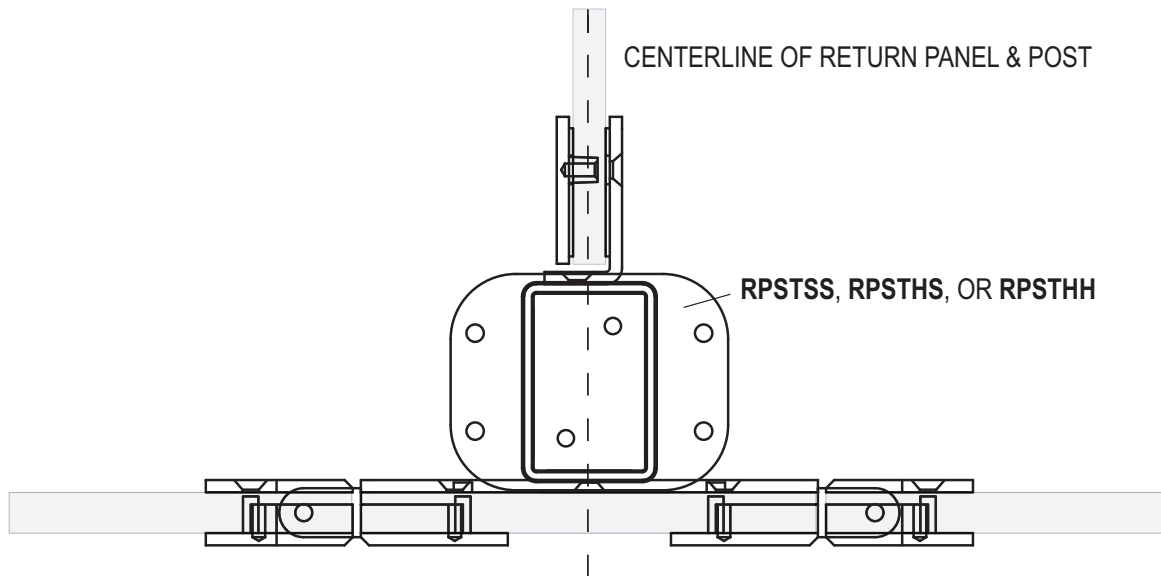
The location for posts with offset return panels is dependant upon the outside edge of the return panel. The centerline of the post will be 3-1/2" (89 mm) from the outside edge of the return panel attached. See diagram below.



C.R. LAURENCE CO. INC.

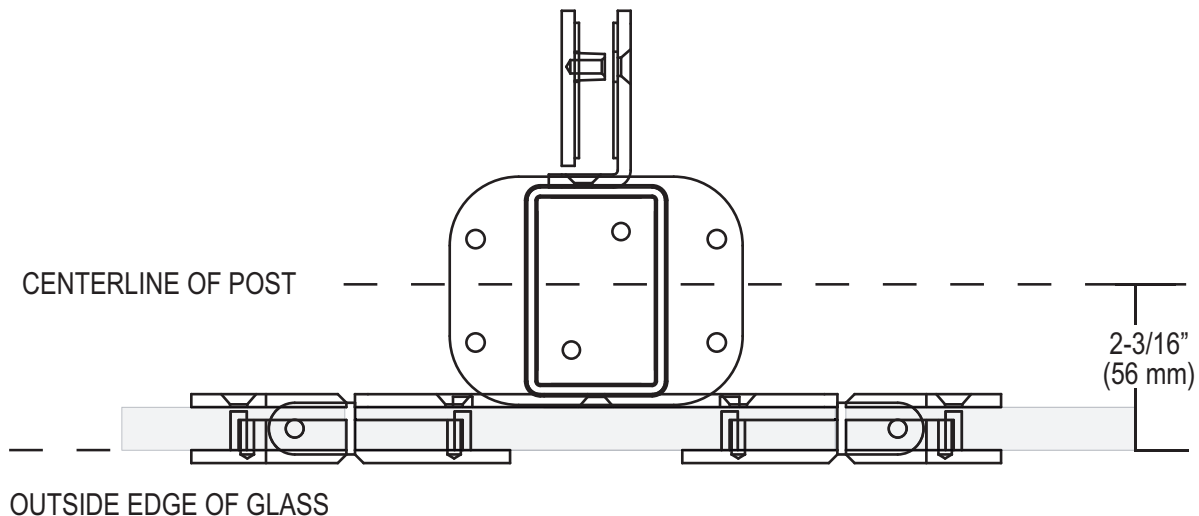
Applies to RPSTHS, RPSTSS, and RPSTHH (T-Intersection Posts)

T-Intersection posts are centered with the return panel as shown.



Applies to All Posts

The centerline distance of the posts from the return wall depends on the depth of the stall. Determine the desired stall depth from the back wall to the outside edge of the glass and subtract 2-3/16" (56 mm). For example, if your stall depth is 60" (1524 mm) to the outside edge of glass, then the centerline of the posts should be mounted 57-13/16" (1468 mm) from the return wall. (60" (1524 mm) - 2-3/16" (56 mm) = 57-13/16" (1468 mm)) See example below.



C.R. LAURENCE CO. INC.

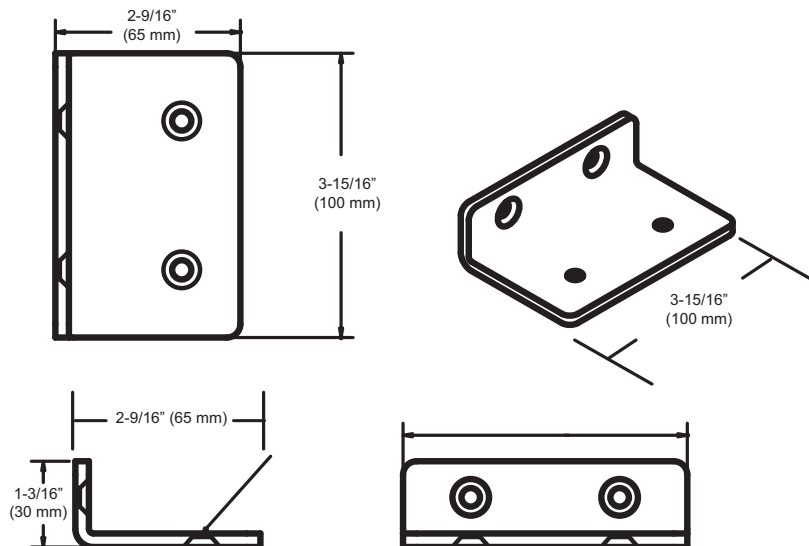
2. Once the location of the posts has been determined, mark the location and use an appropriate fastener to mount the concealed bottom flange.
3. Use the screws provided to attach the mounting plates to the posts. Slide the top flange over the top of the post so that it rests above the top line of hardware.
4. Lift the post into place over the bottom flange and verify that the post is plumb.
5. Lift the top flange to the ceiling and fasten it to the ceiling with the appropriate hardware. Tighten the set-screws for both the top and bottom flanges.
6. Measure the centerline height of the post-mounted hardware. Use those heights to ensure that your wall mounted clamps (GE90S or P190S) and wall mounted hinges (VIE037 or COL037) are aligned. Mount the wall mounted hardware with the screws provided.
7. Mount the fixed panels in place using the outside cover plates (VIEBP or COLBP) and gaskets.
8. Mount the doors in place and attach the handles, locks, strikes and doorstops.
9. Once the doors are installed, test the hinges to make sure doors will operate properly. Test the locks to make sure the locks and strikes are properly aligned.

Restroom Partition System Components

RPSTP

This part is used on the back of the post when there is a return panel configurations:

- RPSTHS
- RPSTHH
- RPSTSS

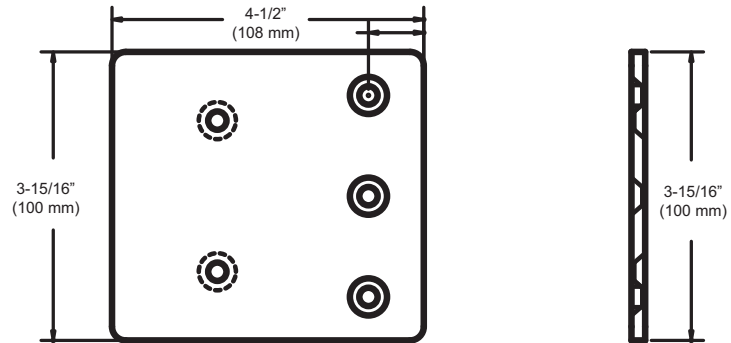


C.R. LAURENCE CO. INC.

RPSTHSSSP

This part is used as face plate in the following configurations:

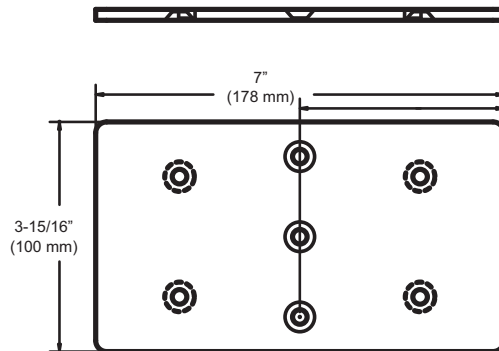
- RPSTHS
- RPSFH
- RPSFS
- RPSTSS



RPSTHHP

This part is used as face plate in the following configuration:

- RPSTHH

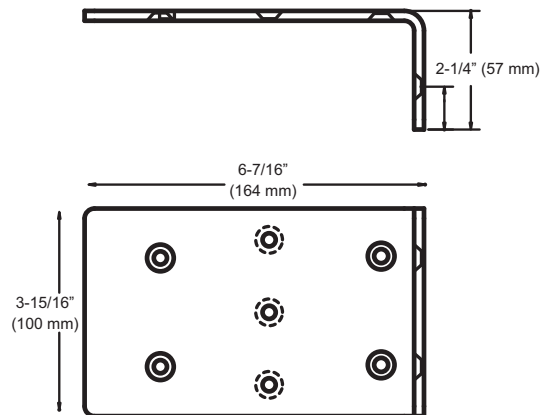


C.R. LAURENCE CO. INC.

RPSOCHCTHP

This part is used as face plate in the following configurations:

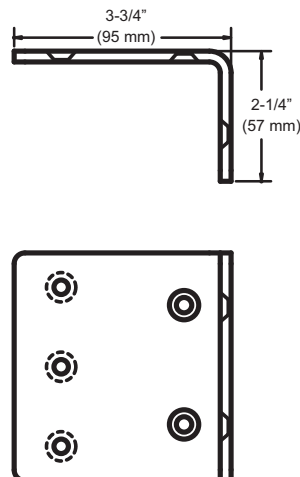
- RPS0CH
- RPSCTH



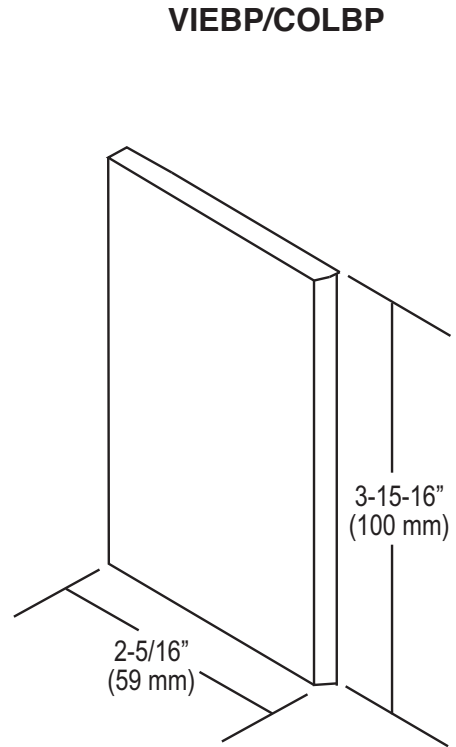
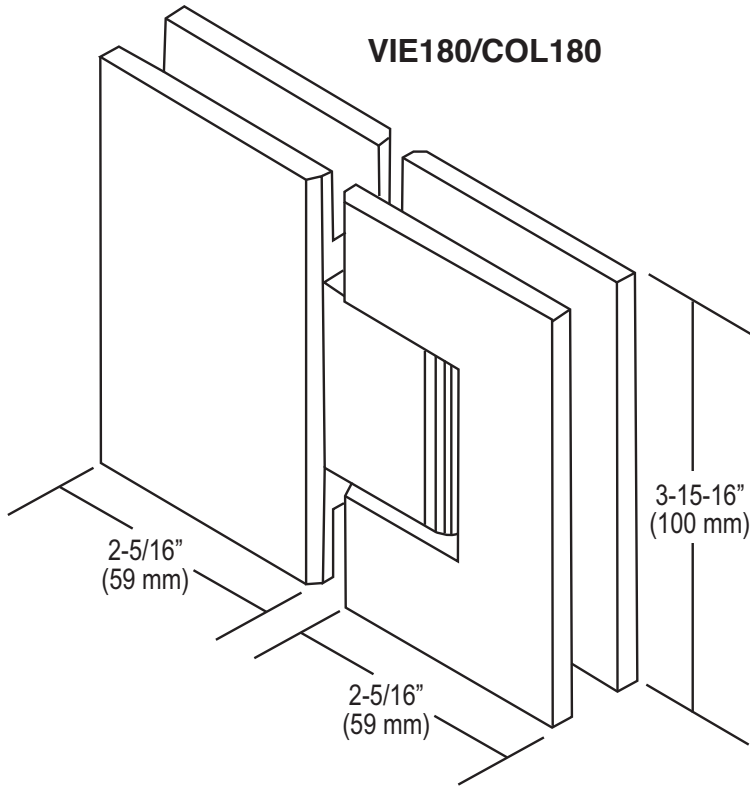
RPSOCSCTSP

This part is used as face plate in the following configurations:

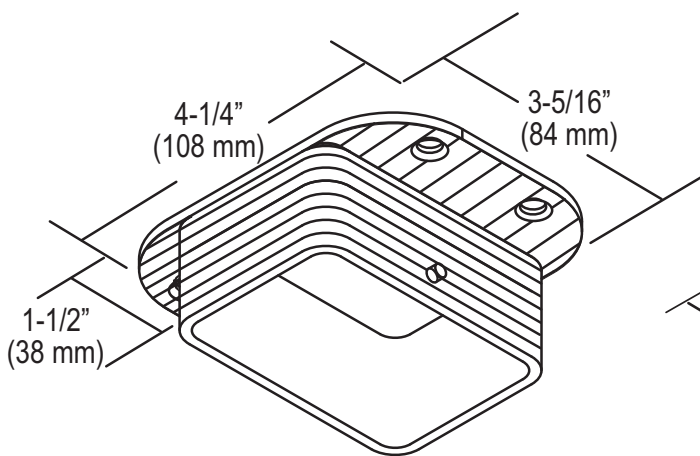
- RPS0CS
- RPSCTS



C.R. LAURENCE CO. INC.



RPSTF



RPSBF

