

LOUVER SELECTION GUIDE

Storm Class™ Louvers

Horizontal Blade	Louver Depth	Blade Thickness	Frame Thickness	Free Area	Water Penetration Rating
SCC725	7 1/4" (184.2 mm)	0.081" (2.06 mm)	0.081" (2.06 mm)	37%	100.0% Effective
SCC735	7 3/8" (187.3 mm)	0.063" (1.60 mm)	0.063" (1.60 mm)	55%	100.0% Effective
SCC875	8 3/4" (222.3 mm)	0.081" (2.06 mm)	0.081" (2.06 mm)	54%	100.0% Effective
SCH201	2" (50.8 mm)	0.063" (1.60 mm)	0.063" (1.60 mm)	39%	99.9% Effective
SCH401	4" (101.6 mm)	0.081" (2.06 mm)	0.081" (2.06 mm)	42%	100.0% Effective
SCH501	5" (152.4 mm)	0.081" (2.06 mm)	0.081" (2.06 mm)	47%	99.8% Effective
SCH7	7" (177.8 mm)	0.081" (2.06 mm)	0.081" (2.06 mm)	50%	99.6% Effective
SCH8	8" (203.2 mm)	0.081" (2.06 mm)	0.081" (2.06 mm)	47%	100.0% Effective
Vertical Blade	Louver Depth	Blade Thickness	Frame Thickness	Free Area	Water Penetration Rating
SCV201	2" (50.8 mm)	0.063" (1.60 mm)	0.063" (1.60 mm)	36%	100.0% Effective
SCV401	4" (101.6 mm)	0.081" (2.06 mm)	0.081" (2.06 mm)	40%	100.0% Effective

Extruded Aluminum Stationary Louvers

Non-Drainable Blade	Louver Depth	Blade Thickness	Frame Thickness	Free Area	Water Penetration Rating
K609/CB609	4" (101.6 mm)	0.081" (2.06 mm)	0.081" (2.06 mm)	50%	5,612 cfm (2.65 m ³ /s)
K6096/CB6096	6" (152.4 mm)	0.125" (3.18 mm)	0.125" (3.18 mm)	52%	6,822 cfm (3.22 m ³ /s)
K638/CB6386	4" (101.6 mm)	0.081" (2.06 mm)	0.081" (2.06 mm)	50%	5,007 cfm (2.36 m ³ /s)
K6386/CB6386	6" (152.4 mm)	0.125" (3.18 mm)	0.125" (3.18 mm)	52%	6,822 cfm (3.22 m ³ /s)
K666/CB666	4" (101.6 mm)	0.081" (2.06 mm)	0.081" (2.06 mm)	55%	6,564 cfm (3.10 m ³ /s)

Extruded Aluminum Drainable Louvers

Drainable Blade	Louver Depth	Blade Thickness	Frame Thickness	Free Area	Water Penetration Rating
K6774/CB6774	4" (101.6 mm)	0.081" (2.06 mm)	0.081" (2.06 mm)	53%	9,324 cfm (4.40 m ³ /s)
K6776/CB6776	6" (152.4 mm)	0.081" (2.06 mm)	0.081" (2.06 mm)	57%	11,375 cfm (5.37 m ³ /s)
K6846/CB6846	6" (152.4 mm)	0.081" (2.06 mm)	0.081" (2.06 mm)	51%	10,200 cfm (4.81 m ³ /s)
K6856	6" (152.4 mm)	0.081" (2.06 mm)	0.081" (2.06 mm)	49%	7,927 cfm (3.74 m ³ /s)
K609HP/CB609HP	4" (101.6 mm)	0.081" (2.06 mm)	0.081" (2.06 mm)	55%	6,520 cfm (3.08 m ³ /s)
K638HP/CB638HP	4" (101.6 mm)	0.081" (2.06 mm)	0.081" (2.06 mm)	47%	7,457 cfm (3.52 m ³ /s)
K6836HP	6" (152.4 mm)	0.125" (3.18 mm)	0.125" (3.18 mm)	50%	8,656 cfm (4.09 m ³ /s)

Acoustic Louvers

Aluminum and Fabricated Metal	Louver Depth	Blade Thickness	Frame Thickness	Free Area	Water Penetration Rating
T9106/CB9106/9106/FCB9106	6" (152.4 mm)	0.080" (2.00 mm)	0.080" (2.00 mm)	31%	3,907 cfm (1.87 m ³ /s)
T9108/CB9108/9108/FCB9108	8" (203.2 mm)	0.080" (2.00 mm)	0.080" (2.00 mm)	27%	3,798 cfm (1.79 m ³ /s)
T9112/CB9112/9112/FCB9112	12" (304.8 mm)	0.080" (2.00 mm)	0.080" (2.00 mm)	23%	3,527 cfm (1.67 m ³ /s)
T9208/CB9208/9208/FCB9208	8" (203.2 mm)	0.080" (2.00 mm)	0.080" (2.00 mm)	33%	4,520 cfm (2.13 m ³ /s)
T9212/CB9212/9212	12" (304.8 mm)	0.081" (2.06 mm)	0.081" (2.06 mm)	26%	4,615 cfm (2.18 m ³ /s)
T9612/CB9612/9612/FCB9612	12" (304.8 mm)	0.080" (2.00 mm)	0.080" (2.00 mm)	27%	3,544 cfm (1.67 m ³ /s)

Extruded Aluminum Sightproof Louvers

		Louver Depth	Blade Thickness	Frame Thickness	Free Area	Water Penetration Rating
Non-Drainable Blade	K601/CB601	4" (101.6 mm)	0.081" (2.06 mm)	0.081" (2.06 mm)	29%	Not Rated
	K611	4" (101.6 mm)	0.081" (2.06 mm)	0.081" (2.06 mm)	26%	Not Rated
	KV601	4" (101.6 mm)	0.081" (2.06 mm)	0.081" (2.06 mm)	29%	Not Rated
	KV603	4" (101.6 mm)	0.081" (2.06 mm)	0.081" (2.06 mm)	34%	6,713 cfm (3.17 m ³ /s)
	T5832	2" (50.8 mm)	0.081" (2.06 mm)	0.063" (1.60 mm)	38%	2,560 cfm (1.21 m ³ /s)
	T5833	2 3/4" (69.9 mm)	0.064" (1.63 mm)	0.064" (1.63 mm)	50%	Not Rated
Drainable Blade	K605/CB605	5" (127.0 mm)	0.081" (2.06 mm)	0.125" (3.18 mm)	53%	8,198 cfm (3.86 m ³ /s)
	K605D	5" (127.0 mm)	0.081" (2.06 mm)	0.081" (2.06 mm)	57%	11,632 cfm (5.50 m ³ /s)

Miami-Dade & Florida Approved Louvers

Low Leakage & Thermal Insulated Louvers

Extruded Aluminum Adjustable Louvers

		Louver Depth	Blade Thickness	Frame Thickness	Free Area	Water Penetration Rating
Non-Drainable Blade	T645	4" (101.6 mm)	0.081" (2.06 mm)	0.125" (3.18 mm)	41%	6,629 cfm (3.13 m ³ /s)
	T6636	6" (152.4 mm)	0.081" (2.06 mm)	0.125" (3.18 mm)	40%	6,756 cfm (3.19 m ³ /s)
Drainable Blade	T6784	4" (101.6 mm)	0.081" (2.06 mm)	0.125" (3.18 mm)	41%	6,016 cfm (2.86 m ³ /s)
	T6784E	4" (101.6 mm)	0.081" (2.06 mm)	0.125" (3.18 mm)	37%	5,372 cfm (2.52 m ³ /s)
	T6786	6" (152.4 mm)	0.081" (2.06 mm)	0.125" (3.18 mm)	46%	7,391 cfm (3.57 m ³ /s)
	T6786E	6" (152.4 mm)	0.081" (2.06 mm)	0.125" (3.18 mm)	40%	6,485 cfm (3.06 m ³ /s)

Extruded Aluminum Combination Louvers

		Louver Depth	Blade Thickness	Frame Thickness	Free Area	Water Penetration Rating
Motorized	K8204	4" (101.6 mm)	0.081" (2.06 mm)	0.125" (3.18 mm)	40%	7,557 cfm (3.59 m ³ /s)
	K8204E	4" (101.6 mm)	0.081" (2.06 mm)	0.125" (3.18 mm)	35%	6,663 cfm (3.15 m ³ /s)
	K8206	6" (152.4 mm)	0.081" (2.06 mm)	0.125" (3.18 mm)	46%	7,558 cfm (3.56 m ³ /s)
	K8206A	6" (152.4 mm)	0.081" (2.06 mm)	0.125" (3.18 mm)	48%	9,377 cfm (4.40 m ³ /s)
	K8206E	6" (152.4 mm)	0.081" (2.06 mm)	0.125" (3.18 mm)	39%	6,324 cfm (2.98 m ³ /s)
	K8306	6" (152.4 mm)	0.081" (2.06 mm)	0.125" (3.18 mm)	46%	7,385 cfm (3.53 m ³ /s)
	K8504	4" (101.6 mm)	0.081" (2.06 mm)	0.081" (2.06 mm)	46%	6,118 cfm (2.89 m ³ /s)
	K8506	6" (152.4 mm)	0.081" (2.06 mm)	0.081" (2.06 mm)	46%	7,576 cfm (3.59 m ³ /s)
Gravity	KN827	4" (101.6 mm)	0.063" (1.60 mm)	0.081" (2.06 mm)	40%	Not Rated
	KX827	4" (101.6 mm)	0.063" (1.60 mm)	0.081" (2.06 mm)	40%	Not Rated

Narrow Profile Louvers

Non-Drainable Blade		Louver Depth	Blade Thickness	Frame Thickness	Free Area	Water Penetration Rating
AC420	1 1/2" (38.1 mm)	0.050" (1.27 mm)	0.063" (1.60 mm)	54%	10,952 cfm (5.17 m ³ /s)	
AC460/CB460/AC460S	1 1/2" (38.1 mm)	0.063" (1.60 mm)	0.063" (1.60 mm)	71%	Not Rated	
AC505/CB505	1 1/2" (38.1 mm)	0.125" (3.18 mm)	0.063" (1.60 mm)	68%	Not Rated	
AC507	1 1/2" (38.1 mm)	0.063" (1.60 mm)	0.063" (1.60 mm)	69%	3,764 cfm (1.78 m ³ /s)	
T608/CB608	2" (50.8 mm)	0.081" (2.06 mm)	0.063" (1.60 mm)	33%	8,463 cfm (3.99 m ³ /s)	
T63815/CB63815	1 1/2" (38.1 mm)	0.063" (1.60 mm)	0.063" (1.60 mm)	42%	2,672 cfm (1.26 m ³ /s)	
T6482/CB6482	2" (50.8 mm)	0.063" (1.60 mm)	0.063" (1.60 mm)	33%	2,783 cfm (1.31 m ³ /s)	
Drainable Blade						
K6772	2" (50.8 mm)	0.063" (1.60 mm)	0.063" (1.60 mm)	57%	8,009 cfm (3.78 m ³ /s)	

Fabricated Stationary Louvers

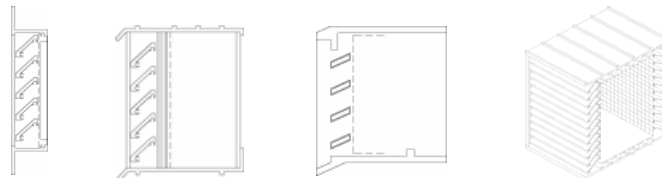
Non-Drainable Blade		Louver Depth	Blade Thickness	Frame Thickness	Free Area	Water Penetration Rating
601C	4" (101.6 mm)	0.063" (1.60 mm)	0.063" (1.60 mm)	29%	4,640 cfm (2.19 m ³ /s)	
Drainable Blade						
6774/FCB6774	4" (101.6 mm)	0.063" (1.60 mm)	0.063" (1.60 mm)	52%	8,737 cfm (4.12 m ³ /s)	
6776/FCB6776	6" (152.4 mm)	0.063" (1.60 mm)	0.063" (1.60 mm)	57%	11,375 cfm (5.37 m ³ /s)	

Fabricated Adjustable Louvers

Motorized		Louver Depth	Blade Thickness	Frame Thickness	Free Area	Water Penetration Rating
625	5 1/2" (139.7 mm)	0.063" (1.60 mm)	0.063" (1.60 mm)	69%	Not Rated	
645	4" (101.6 mm)	0.063" (1.60 mm)	0.063" (1.60 mm)	37%	4,098 cfm (1.93 m ³ /s)	
6456	6" (152.4 mm)	0.063" (1.60 mm)	0.063" (1.60 mm)	39%	4,467 cfm (2.11 m ³ /s)	
6784	4" (101.6 mm)	0.063" (1.60 mm)	0.063" (1.60 mm)	37%	6,494 cfm (3.07 m ³ /s)	
6785	6" (152.4 mm)	0.063" (1.60 mm)	0.063" (1.60 mm)	44%	6,968 cfm (3.29 m ³ /s)	
6786	6" (152.4 mm)	0.063" (1.60 mm)	0.063" (1.60 mm)	55%	8,410 cfm (3.97 m ³ /s)	

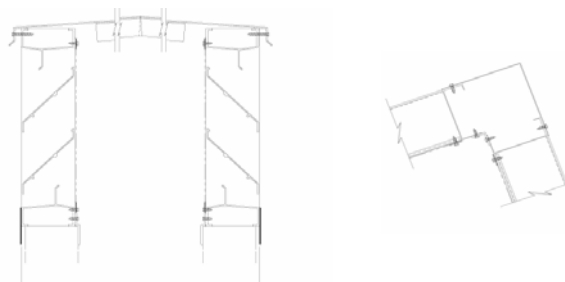
Brick Vents

Cast Aluminum
Dual Face Extruded Aluminum
Extruded Aluminum
Flanged Aluminum



Penthouses & Roof Systems

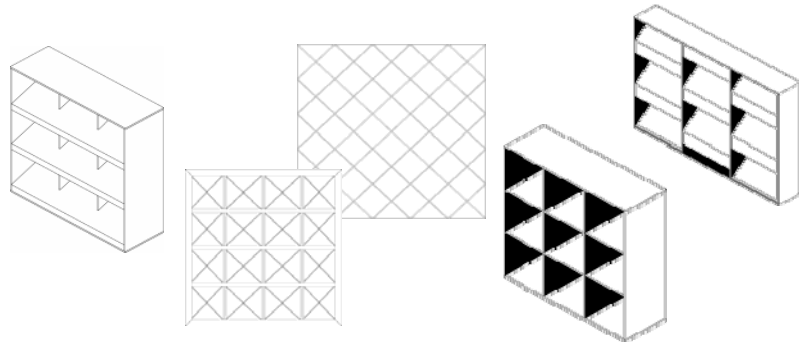
Standard Corner Construction
K909
Mitered Corner Construction
MC909
Roof Systems
Extruded Aluminum Roof Decking
Single Piece Sheet Metal Roof
Standing Seam Sheet Metal Roof



Grilles & Louver Screens

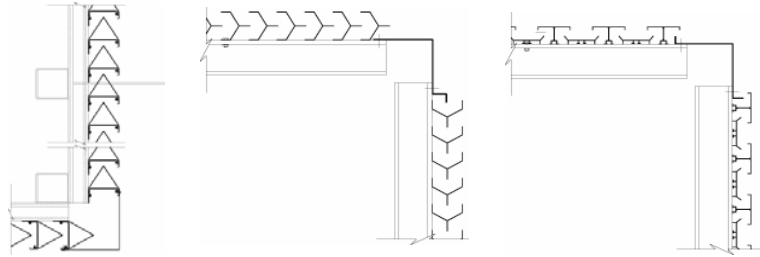
Extruded Aluminum Grilles

- Airfoil Grille
- Angular Bar Grille
- Continue-Line Bar Grille
- Double Matrix Grille
- Gemini Grille
- Linear Bar Grille
- Matrix Grille
- Prism Bar Grille
- Solar Line Grille



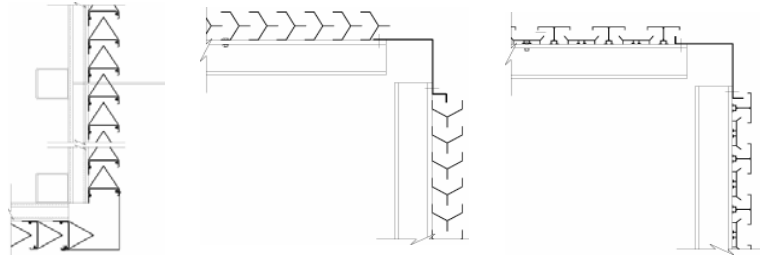
Extruded Aluminum Screens

- SV5833
- CV601
- SV961
- SV962



Extruded Aluminum Sightproof Screens

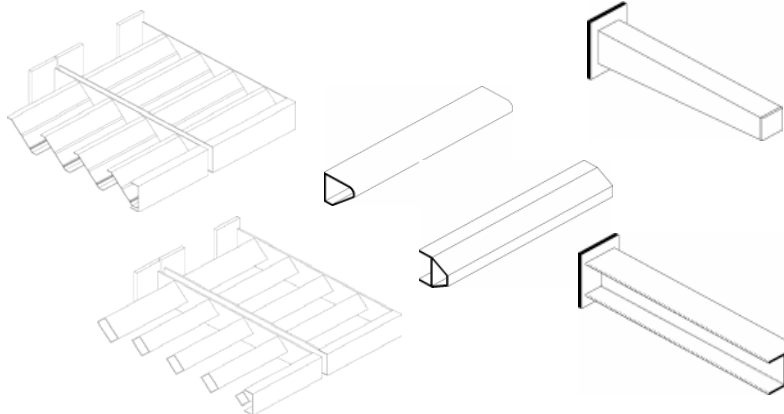
- ENCB505
- ENCB609
- ENCB6096



Sun Controls

Blade Components

- Zee Blade
- Bar Blade
- Airfoil Blade
- Tube Blade
- Round Blade



Outrigger Components

- Sunscreen Outriggers

Fascia Components

- Sunscreen Fascias

Eyebow Louvers & Sun Controls

- T959-4 & T959-6