

# 111-1.6 SFSM

## Single-Flush Side Mount

**Description**

Exposed, battery-powered, sensor-activated, water closet flushometer with a single flush side mount unit for top spud floor mounted or wall hung bowls.

**Flush Cycle**

Regal XL 111-1.6 SFSM      Low Consumption (1.6 gpf/6.0 Lpf)  
Code No: 3980095

**Specifications**

Quiet, Exposed, Diaphragm Type, Chrome Plated Closet Flushometer with the following features:

- ADA Compliant Optima Plus® Battery Powered Infrared Sensor for automatic “No Hands” operation
- Chrome Plated Infrared Sensor Housing
- Can be Mounted on either the Left or Right Side of Valve
- True Mechanical Override Flush Button
- Four (4) Size C Alkaline Batteries included: Duracell® with DURALOCK Power Preserve Technology™-guaranteed for up to 10 years in storage
- “Low Battery” Flashing LED
- “User in View” Flashing LED
- 72-Hour Sentinel Flush
- Infrared Sensor Range Adjustment Screw and Reset Button
- 1” I.P.S. Screwdriver Bak-Chek® Angle Stop with stop plug
- Adjustable Tailpiece
- High Back Pressure Vacuum Breaker Flush Connection with One-piece Bottom Hex Coupling Nut
- Spud Coupling and Flange for 1-1/2” Top Spud
- Sweat Solder Adapter with Cover Tube and Cast Wall Flange with Set Screw
- High Copper, Low Zinc Brass Castings for Dezincification Resistance
- No External Volume Adjustment to Ensure Water Conservation
- Stop Seat and Vacuum Breaker Molded from PERMEX® Rubber Compound for Chloramine resistance

Valve Body, Tailpiece and Control Stop shall be in conformance with ASTM Alloy Classification for Semi-Red Brass. Valve shall be in compliance with the applicable sections of ASSE 1037, ASME 112.18, ASME 112.19, ANSI 117.1. Installation conforms to ADA requirements.

**Accessories**

See Accessories Section and Optima Plus Accessories Section of the Sloan catalog for details on these and other Optima Plus Flushometer variations.

**Fixtures**

Consult Sloan for Sloan brand matching fixture options.



**Smart Sense Technology™**

Sloan® SFSM flushometers are equipped with Smart Sense Technology™, which applies extended range and logic techniques to provide superior sensor-activated performance.

**Automatic Operation**

Sloan’s SFSM flushometers are activated via multi-lobular infrared sensor. The sensor sets the flushing mechanism when the user is detected and completes the flush when the user steps away.

**Manual Operation**

Sloan’s SFSM flushometers can also be activated manually by pushing the black TMO button.

**Service Mode**

Features service mode which ignores targets for 10 minutes to enable fixture to be cleaned or serviced

**Hygienic**

Touchless, sensor activation eliminates the need for user contact except to initiate the True Mechanical Override button when required, to help control the spread of infectious diseases. The 72-Hour Sentinel Flush keeps fixture fresh during periods of non-use.

**Warranty**

3 year (limited)



This space for Architect/Engineer approval

Job Name \_\_\_\_\_ Date \_\_\_\_\_

Model Specified \_\_\_\_\_ Quantity \_\_\_\_\_

Variations Specified \_\_\_\_\_

Customer/Wholesaler \_\_\_\_\_

Contractor \_\_\_\_\_

Architect \_\_\_\_\_

# 111-1.6 SFSM



## Description

Exposed, battery-powered, sensor-activated, water closet flushometer with a single flush side mount unit for top spud floor mounted or wall hung bowls.

## Flush Cycle

Regal XL 111-1.6 SFSM      Low Consumption (1.6 gpf/6.0 Lpf)  
Code No: 3980095

## ELECTRICAL SPECIFICATIONS

### Control Circuit

Solid State  
6 VDC Input  
2-3 Second Arming Delay  
72 Hour Sentinel Flush

### SFSM Battery Type

(4) Size C Alkaline: Duracell® with DURALOCK Power Preserve Technology™

### Battery Life

3 Years @ 3,000 Flushes/Month

### Indicator Lights

User in View/Low Battery

### SFSM Sensor Type

Infrared Convergence Type Object Lock Detection

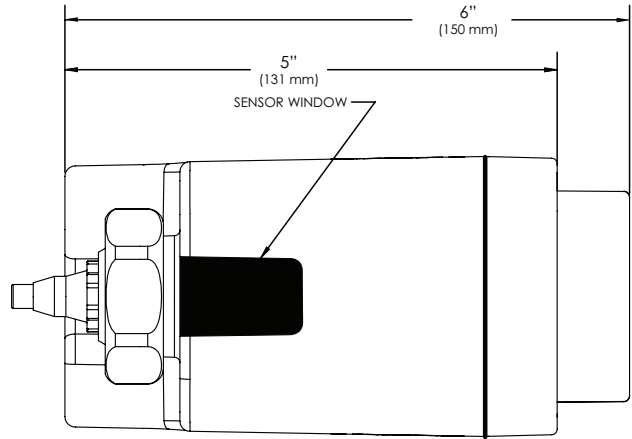
### SFSM Sensor Range

Factory Set at  
22" - 42" (559 mm-1067 mm)

### Valve Operating Pressure (Flowing)

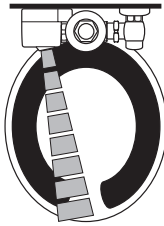
25-80 psi (172-552 kPa)

## SFSM DIMENSIONS

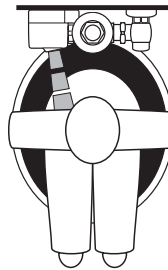


## OPERATION

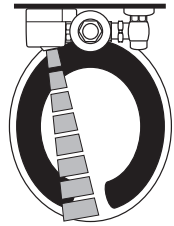
1. A continuous, invisible light beam is emitted from the object lock infrared sensor.



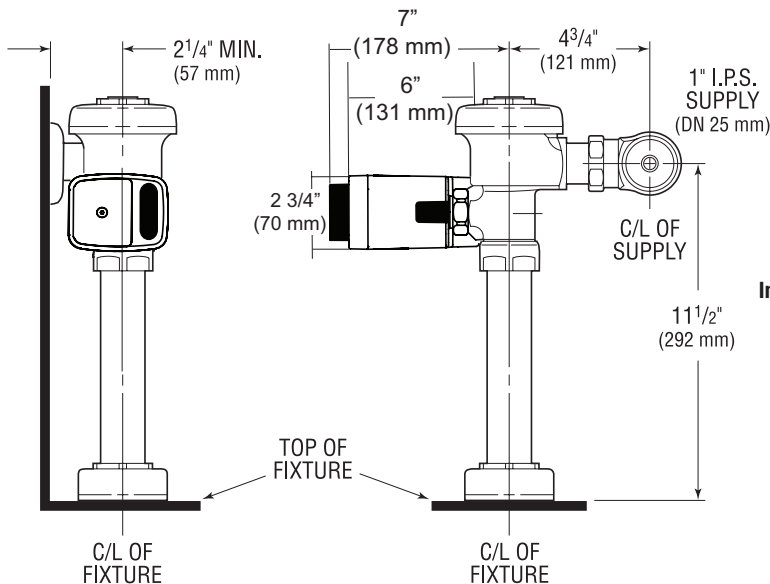
2. As the user enters the beam's effective range, 22" - 42" (559 mm-1067 mm), the object lock infrared sensor senses the user.



3. When the user steps away from the object lock Infrared sensor, the circuit initiates the flushing cycle to flush the fixture. The circuit then automatically resets and is ready for the next user.



## ROUGH-IN



Includes EBV-500-A  
Single Flush  
Side Mount Unit

**SLOAN • 10500 SEYMOUR AVENUE • FRANKLIN PARK, IL 60131**

Phone: 1-800-9-VALVE-9 or 1-847-671-4300 • Fax: 1-800-447-8329 or 1-847-671-4380 • www.sloanvalve.com