

111-1.6/1.1 DFSM

Dual-Flush Side Mount



Description

Exposed, battery-powered, sensor-activated, water closet flushometer with a dual-flush side mount unit for top spud floor mounted or wall hung bowls.

Flush Cycle

Sloan 111-1.6/1.1 DFSM Full Flush Large Black Button (1.6 gpf/6.0 Lpf)
Reduced Flush Small Green Button (1.1 gpf/4.2 Lpf)

Code No: 3780037

Variation

DFB Dual Filtered Fixed Bypass Diaphragm

Code No: 3780052

Specifications

Quiet, Exposed, Diaphragm Type, Chrome Plated Closet Flushometer with the following features:

- PERMEX® Synthetic Rubber Diaphragm with linear filtered bypass with Vortex Cleansing Action™
- ADA Compliant Optima Plus® Battery Powered Infrared Sensor for automatic “No Hands” operation
- Chrome Plated Infrared Sensor Housing
- Can be Mounted on either the Left or Right Side of Valve
- Non-Hold-Open True Mechanical Override Full Flush/Dual Flush Buttons
- If the user is present for less than one minute and leaves the sensing zone or chooses the small GREEN override button, a reduced flush initiates (1.1 gpf/4.2 Lpf) eliminating liquid and paper waste, saving 1/2 gallon of water
- If the user is present for greater than one minute and leaves the zone or chooses the large BLACK override button, the full flush initiates (1.6 gpf/6.0 Lpf) eliminating solid waste and paper
- Reduces water volume by up to 30% when a reduced flush occurs
- Four (4) Size C Alkaline Batteries included: Duracell® with DURALOCK Power Preserve Technology™ -guaranteed for up to 10 years in storage
- “Low Battery” Flashing LED
- “User in View” Flashing LED
- 72-Hour Sentinel Flush
- Infrared Sensor Range Adjustment Screw and Reset Button
- 1” I.P.S. Screwdriver Bak-Chek® Angle Stop with vandal resistant stop cap
- Adjustable Tailpiece
- High Back Pressure Vacuum Breaker Flush Connection with One-piece Bottom Hex Coupling Nut
- Spud Coupling and Flange for 1-1/2” Top Spud
- Sweat Solder Adapter w/Cover Tube and Cast Wall Flange w/Set Screw
- High Copper, Low Zinc Brass Castings for Dezincification Resistance
- Flush Accuracy Controlled by CID Technology
- No External Volume Adjustment to Ensure Water Conservation
- Diaphragm, Stop Seat and Vacuum Breaker Molded from PERMEX® Rubber Compound for Chloramine resistance

Valve Body, Tailpiece and Control Stop shall be in conformance with ASTM Alloy Classification for Semi-Red Brass. Valve shall be in compliance with the applicable sections of ASSE 1037, ASME 112.18, ASME 112.19, ANSI 117.1. Installation conforms to ADA requirements.

Accessories

See Accessories Section and Optima Plus Accessories Section of the Sloan catalog for details on these and other Optima Plus Flushometer variations.

Fixtures

Consult Sloan for Sloan brand matching fixture options.

Smart Sense Technology™

Sloan’s DFSM flushometers are equipped with Smart Sense Technology™, which applies extended range and logic techniques to significantly reduce water usage. The DFSM flushometer automatically delivers a reduced flush when users are present less than 60 seconds. Please contact Sloan for specific details.

Automatic Operation

Sloan’s DFSM flushometers are activated via multi-lobular infrared sensor. By detecting user presence and duration, the DFSM unit will determine the proper flush volume for unequalled water efficiency.

Manual Operation

Sloan’s electronic Dual-Flush Side Mount (DFSMS) flushometers incorporate intuitive split-button design for easy manual activation. Assuming a 1.6 gpf diaphragm kit, the small GREEN button controls the reduced flush cycle (1.1 gpf/4.2 Lpf), the large BLACK button controls the full flush cycle (1.6 gpf/6.0 Lpf). Straightforward graphics alert user to proper activation. Reduced flush for liquid waste, full flush for solid waste.

Service Mode

Features service mode which ignores targets for 10 minutes to enable fixture to be cleaned or serviced.

Hygienic

Touchless, sensor activation eliminates the need for user contact to help control the spread of infectious diseases. The Sloan DFSM are provided with Reduced or Full Flush Override Buttons to allow a “courtesy flush” for individual user comfort. The 72-Hour Sentinel Flush keeps fixture fresh during periods of non-use.

Warranty

3 year (limited)



This space for Architect/Engineer approval

Job Name _____	Date _____
Model Specified _____	Quantity _____
Variations Specified _____	
Customer/Wholesaler _____	
Contractor _____	
Architect _____	

111-1.6/1.1 DFSM



Description

Exposed, battery-powered, sensor-activated, water closet flushometer with a dual-flush side mount unit for top spud floor mounted or wall hung bowls.

Flush Cycle

Sloan 111-1.6/1.1 DFSM Full Flush Large Black Button (1.6 gpf/6.0 Lpf)
Reduced Flush Small Green Button (1.1 gpf/4.2 Lpf)

Code No: 3780037

ELECTRICAL SPECIFICATIONS

Control Circuit

Solid State
6 VDC Input
2-3 Second Arming Delay
72 Hour Sentinel Flush

DFSM Sensor Type

Infrared Convergence Type Object Lock Detection

DFSM Sensor Range

Factory Set at
22" - 42" (559 mm-1067 mm)

DFSM Battery Type

(4) Size C Alkaline: Duracell® with DURALOCK Power Preserve Technology™

Battery Life

3 Years @ 3,000 Flushes/Month

Indicator Lights

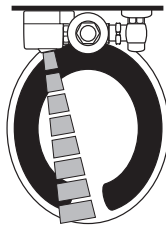
User in View/Low Battery

Valve Operating Pressure (Flowing)

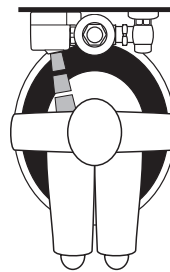
25-80 psi (172-552 kPa)

OPERATION

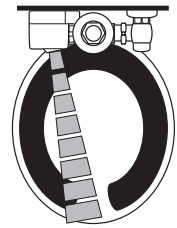
1. A continuous, invisible light beam is emitted from the object lock infrared sensor.



2. As the user enters the beam's effective range, 22" - 42" (559 mm-1067 mm), the beam is reflected into the scanner window to activate the output circuit. Once activated, the output circuit continues in a "hold" mode for as long as the user remains within the effective range of the sensor. If the user stays less than 60 seconds, a reduced flush will automatically initiate when the user leaves.

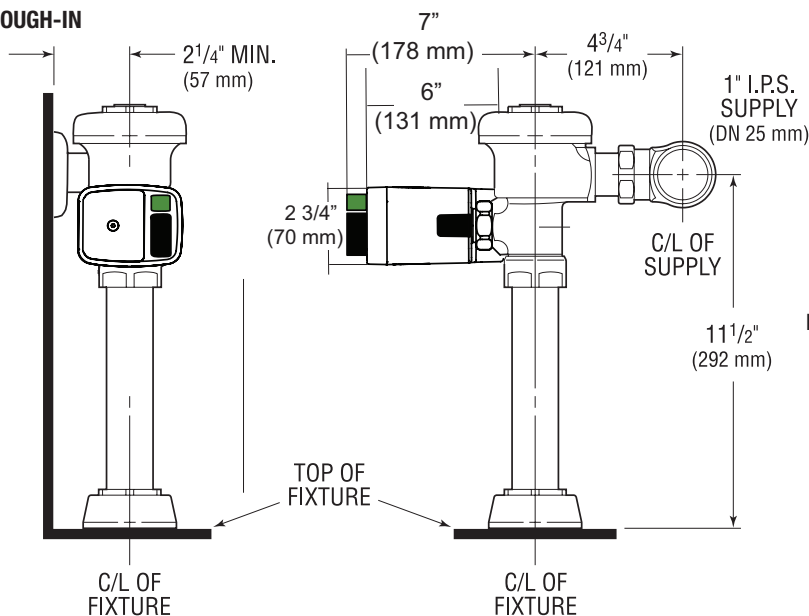


3. When the user steps away from the infrared sensor, the circuit initiates the flushing cycle to flush the fixture. The circuit then automatically resets and is ready for the next user.



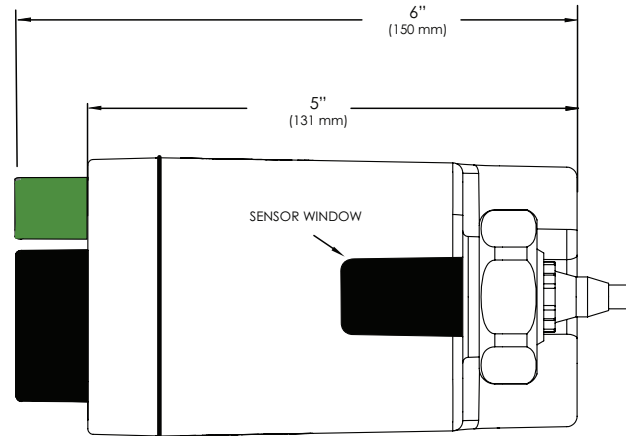
If the user stays longer than 60 seconds, a full flush will automatically initiate when the user leaves.

ROUGH-IN



Includes EBV-550-A Dual-Flush Side Mount Unit

DFSM DIMENSIONS



SLOAN • 10500 SEYMOUR AVENUE • FRANKLIN PARK, IL 60131

Phone: 1-800-9-VALVE-9 or 1-847-671-4300 • Fax: 1-800-447-8329 or 1-847-671-4380 • www.sloanvalve.com