



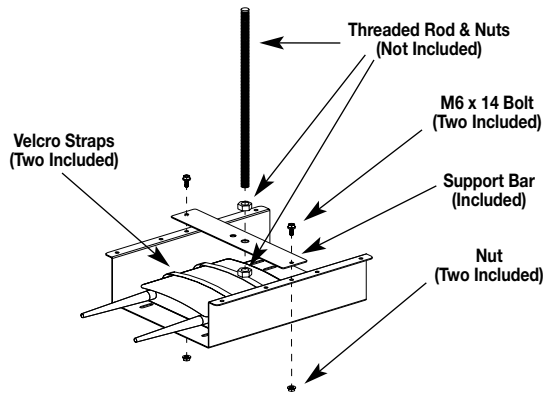
# OVERHEAD WIRELESS ACCESS POINT BRACKET INSTALLATION INSTRUCTIONS

Installation Instruction No.: 42593 – August 2004

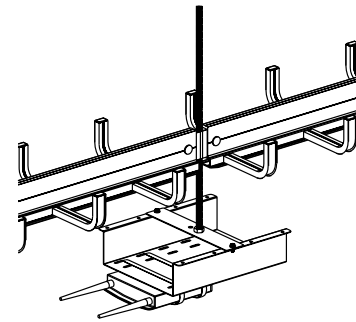
Wiremold Electrical Systems conform to and should be installed and properly grounded in compliance with requirements of the current National Electrical Code, Canadian Electrical Code or codes administered by local authorities.

All electrical products may represent possible shock or fire hazard if improperly installed or used. Wiremold electrical products are UL Listed to U.S. and Canadian safety standards, made for interior use only, and should be installed in conformance with current local and/or the National Electrical Code.

## Installation onto Threaded Rod or underneath Center Spine/Ladder Tray



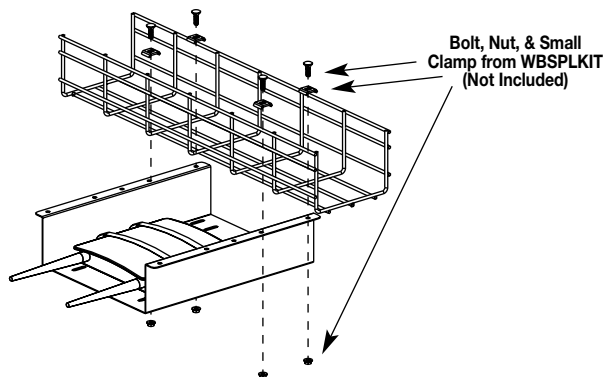
Secure Access Point to bracket using velcro straps through slot openings in bracket. Attach support bar to bracket with included bolts & nuts. Attach threaded rod to bar, using a nut on each side to secure. Use correct hole in support bar to fit your threaded rod size (1/4" & 1/2" [6.4mm & 12.7mm] provided).



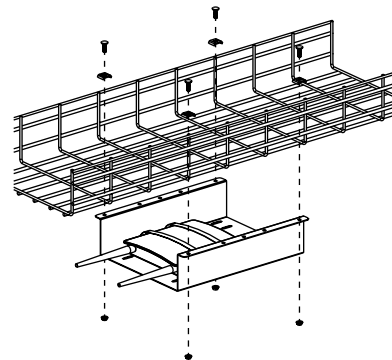
When hanging under center spine or ladder tray, extend thread rod past normal tray hanger and attach support bar at the end of the rod.

**Note:** This picture also depicts an alternative for hanging the Access Point by strapping underneath the bracket.

## Installation underneath Wire Basket Tray



With Wire Basket trays less than 12" [305mm] wide, bracket may be hung sideways at a right angle to the direction of the tray. Secure bracket to tray using hardware shown through holes in bracket flanges.



Bracket attaches to wire baskets of 12" [305mm] or wider the same as with smaller tray, except that the bracket may be installed inline with the tray.



### The Wiremold Company

U.S. and International:

60 Woodlawn Street • West Hartford, CT 06110

1-800-621-0049 • FAX 860-232-2062 • Outside U.S.: 860-233-6251

Canada:

850 Gartshore Street • Fergus, Ontario N1M 2W8

1-800-741-7957 • FAX 519-843-5980

