



Wiremold

Walkerflex® Modular Wiring System

INSTALLATION INSTRUCTIONS

Installation Instruction No.: 1 006 507 R6 – Updated August 2011

Wiremold electrical systems conform to and should be properly grounded in compliance with requirements of the current National Electrical Code or codes administered by local authorities.

All electrical products may present a possible shock or fire hazard if improperly installed or used. Wiremold electrical products may bear the mark as UL Listed and/or Classified and should be installed in conformance with current local and/or the National Electrical Code.

IMPORTANT: Please read all instructions before beginning.

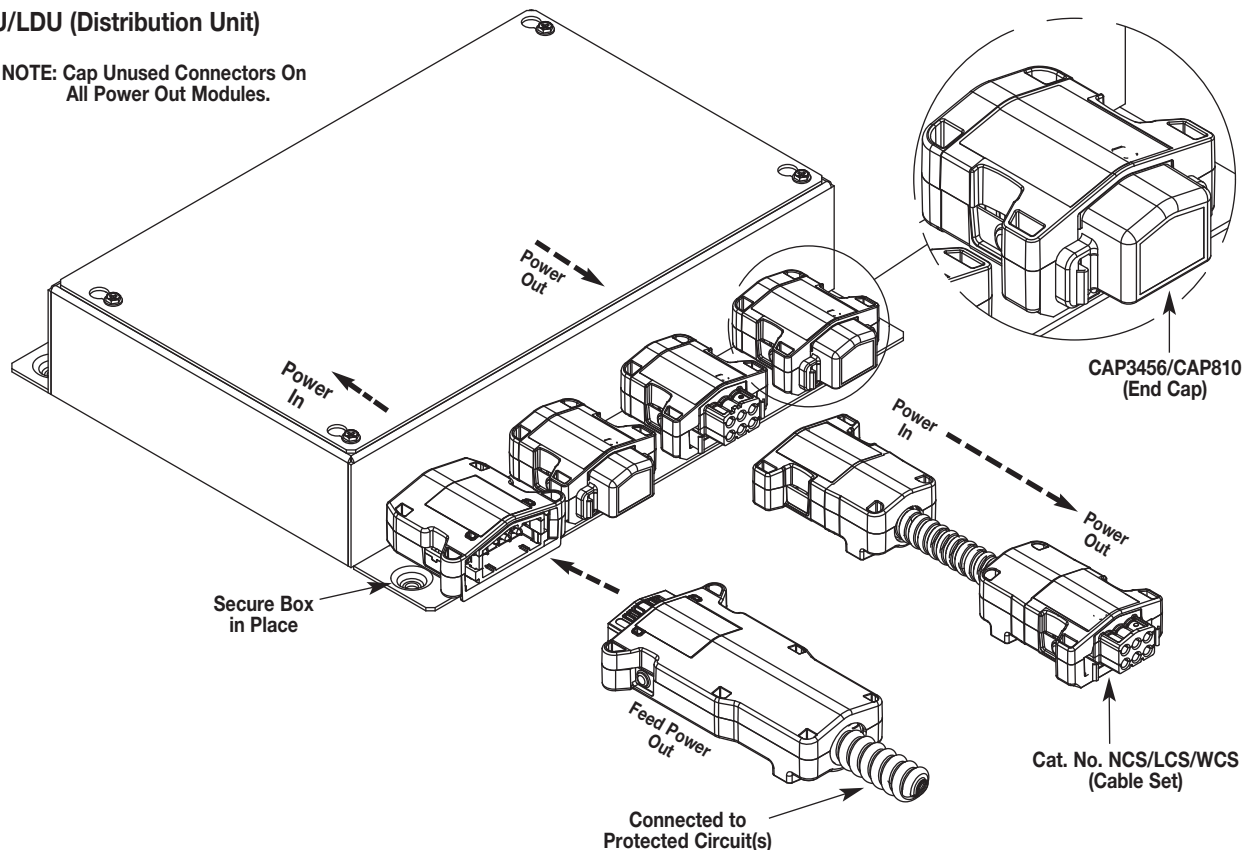
Products Covered: FCA, NWC, NCS, NCW, NCBS, NPA, NDU, RECDU, CAP3456, CAP810, LDU, LWC, LPA, LCBS, LCW, WWC, WCS, WCW, WPA, WCBS, WDU

NOTE: Label on product indicates which products are suitable for use in air handling spaces in accordance with Sec. 300-22(C) of the National Electric Code.

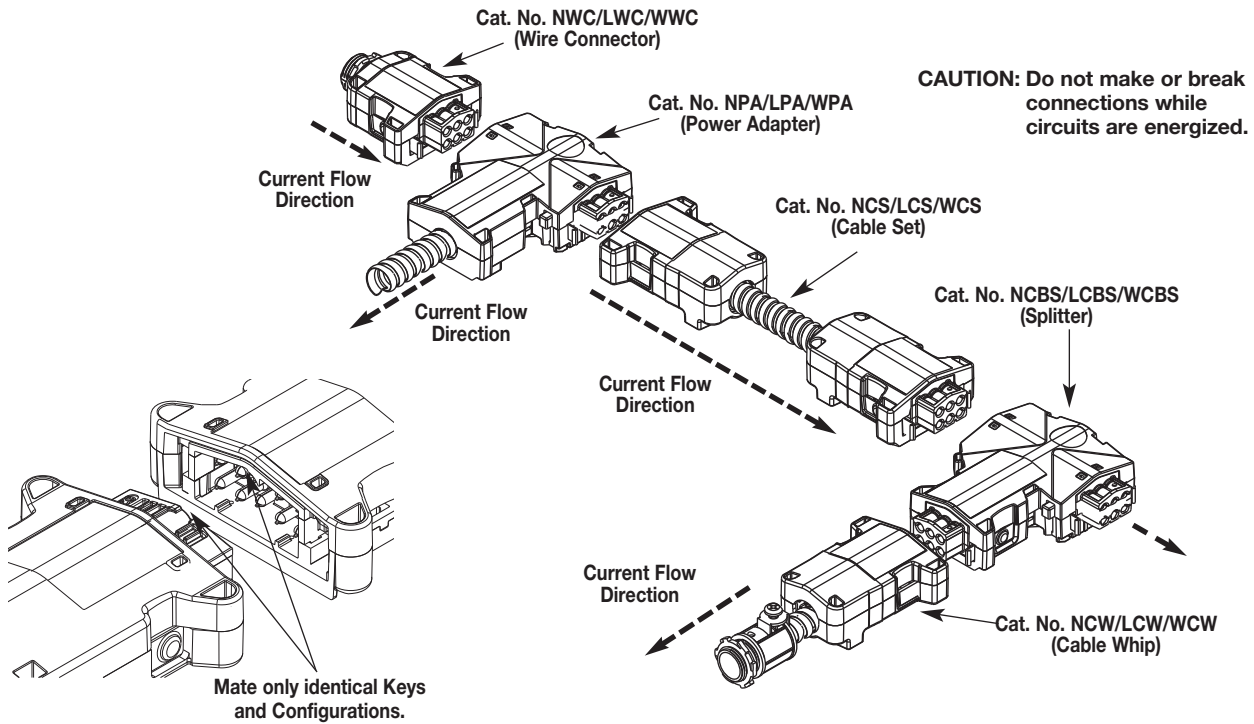
1. Each Walkerflex® component contains a unique connector key and color indicating rating, conductor location and orientation. Only like color keys can be mated. See Key Configuration and Color Chart for available options.
2. Each Walkerflex® key is comprised of one or more configurations that determine the number of line and neutral conductors. Only identical configurations can be mated. See Key Configuration and Color Chart for available options.
3. Disconnect power from source prior to wiring any Walkerflex® component into building's electrical power system.
4. Installer to determine maximum cable length based on wire gauge and circuit load.
5. Installer to ensure adequate overload protection based on system key, rating and circuit load.
6. Refer to appropriate Wiring Diagram and System Key Configuration Conductor Location Chart for field connections of Cat. Nos. NWC/LWC (Wire Connector) and NCW/LCW (Cable Whips). Refer to wiring diagram supplied with NDU/LDU (Distribution Unit) for field termination.
7. Securing and Supporting of Cables and Components: Refer to NEC Article 604, Manufacturing Wiring Systems and any local codes.
8. Cap all unused connector openings with Cat. No. CAP3456 (for 3 through 6 wire system) or Cat. No. CAP810 (8 and 10 wire system).
9. 277V Walkerflex components are only available in 3-6 wire configurations.
10. The Walkerflex system is compatible with the Convia enabled Walkerflex system of the same configuration and key.

NDU/LDU (Distribution Unit)

NOTE: Cap Unused Connectors On All Power Out Modules.

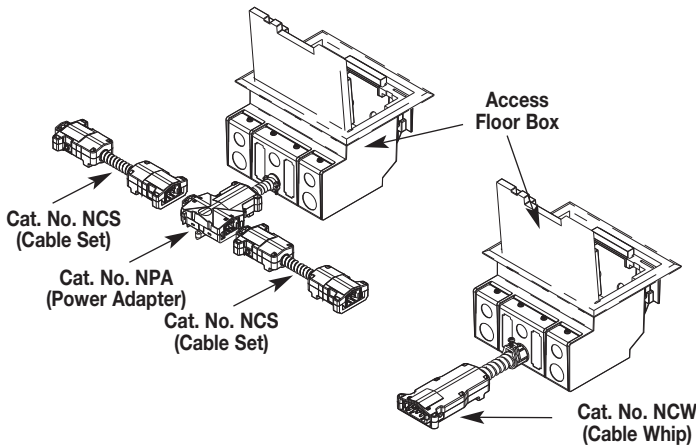


TYPICAL WALKERFLEX SYSTEM INSTALLATION

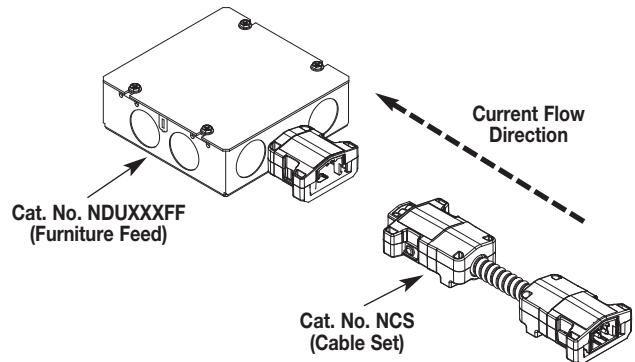


WALKERFLEX SYSTEM ACCESSORIES (120V Only)

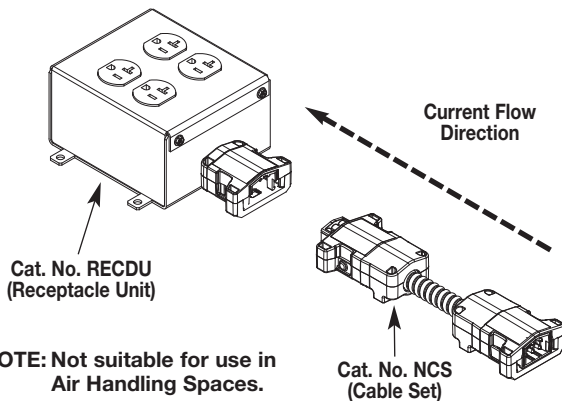
TYPICAL PREWIRED ACCESS FLOOR BOX INSTALLATIONS



WALKERFLEX FURNITURE FEED DISTRIBUTION UNIT



WALKERFLEX RECEPTACLE DISTRIBUTION UNIT

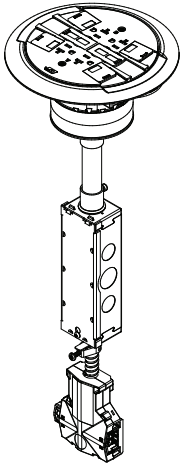


NOTE: All Walkerflex accessories are available in both the 3-6 and 8-10 pin systems with the exception of NPA/LPA/WPA which is only available for the 3-6 pin system.

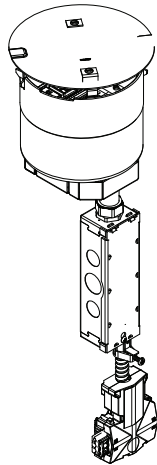
NOTE: Not suitable for use in Air Handling Spaces.

WALKERFLEX SYSTEM ACCESSORIES

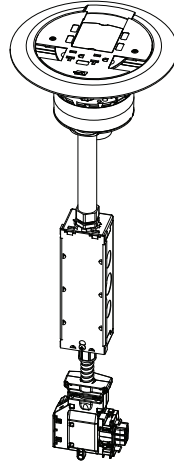
RC4ATCAL222PA



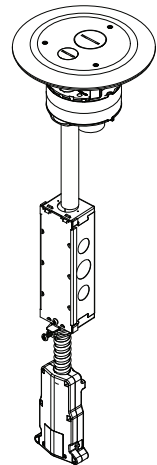
C6STCP222PA



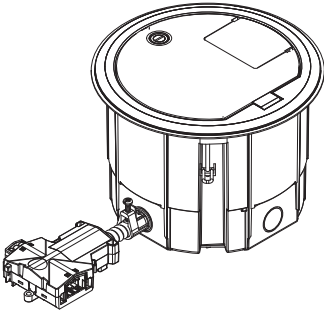
AV3ATCAL111PA



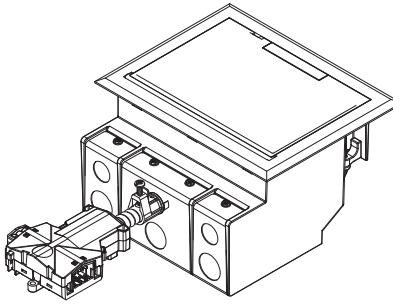
4FFATCAL422CW



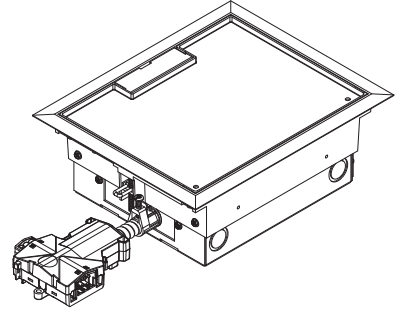
CRFBAC2111PA



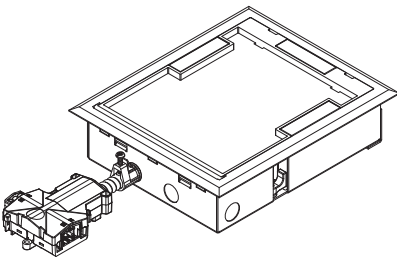
AF2KC2111PA



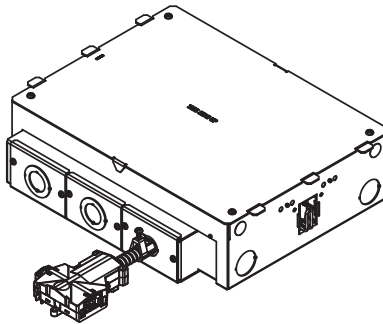
AC8104YC2111PA



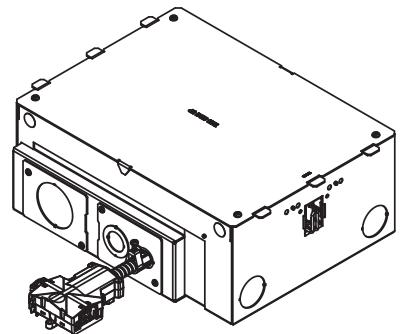
SAFKC2111PA



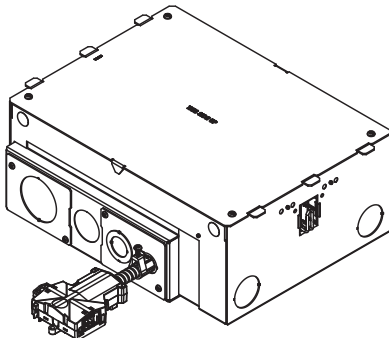
EFB6S



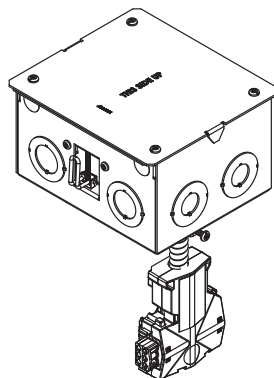
EFB8S



EFB10S

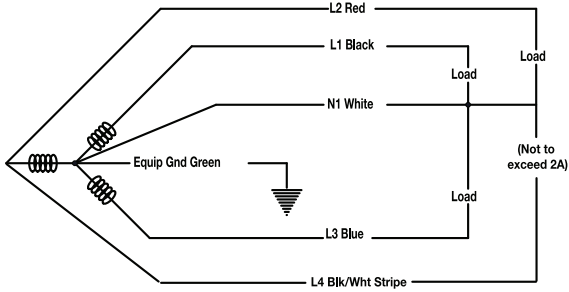


EFBFF

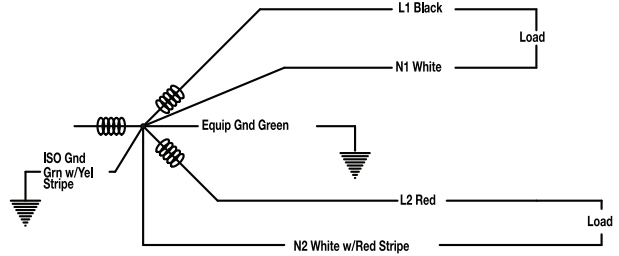


WALKERFLEX SYSTEM WIRING DIAGRAMS

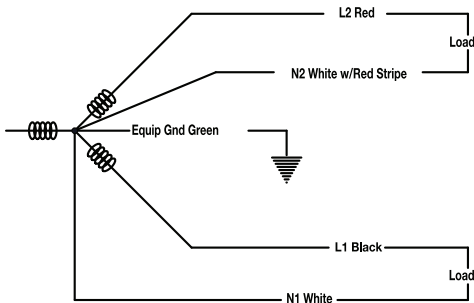
120V 20A SYSTEM FOR 1, 2, 3 OR 4 LINE CONDUCTORS CONNECTED TO A GROUNDED THREE-PHASE WYE



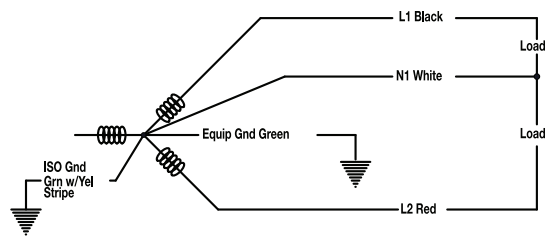
120V 20A SYSTEM FOR 1 OR 2 LINE CONDUCTORS CONNECTED TO A DUAL NEUTRAL GROUNDED THREE-PHASE WYE AND ISOLATED GROUND



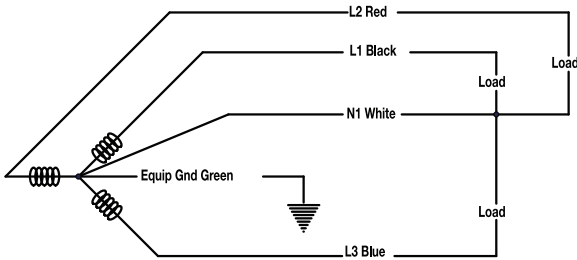
120V 20A SYSTEM FOR 1 OR 2 LINE CONDUCTORS CONNECTED TO A DUAL NEUTRAL GROUNDED THREE-PHASE WYE



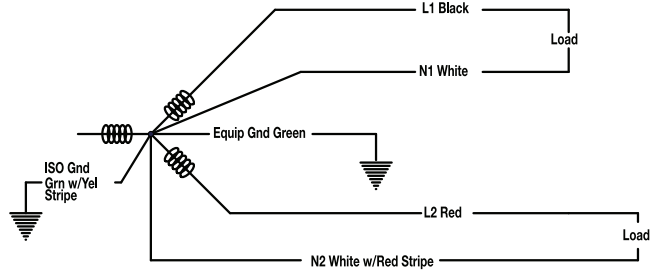
120V 20A SYSTEM FOR 1 OR 2 LINE CONDUCTORS CONNECTED TO A GROUNDED THREE-PHASE WYE AND ISOLATED GROUND



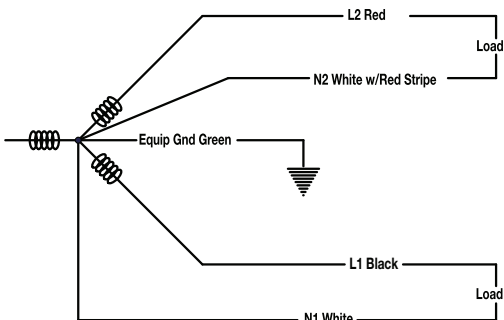
277V 20A SYSTEM FOR 1, 2, OR 3 LINE CONDUCTORS CONNECTED TO A GROUNDED THREE-PHASE WYE



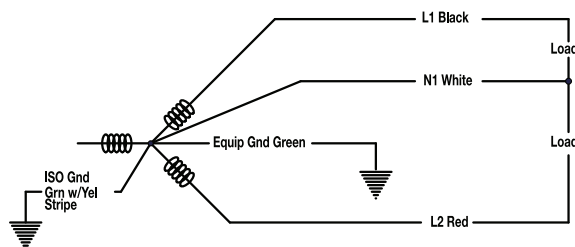
277V 20A SYSTEM FOR 1 OR 2 LINE CONDUCTORS CONNECTED TO A DUAL NEUTRAL GROUNDED THREE-PHASE WYE AND ISOLATED GROUND



277V 20A SYSTEM FOR 1 OR 2 LINE CONDUCTORS CONNECTED TO A DUAL NEUTRAL GROUNDED THREE-PHASE WYE

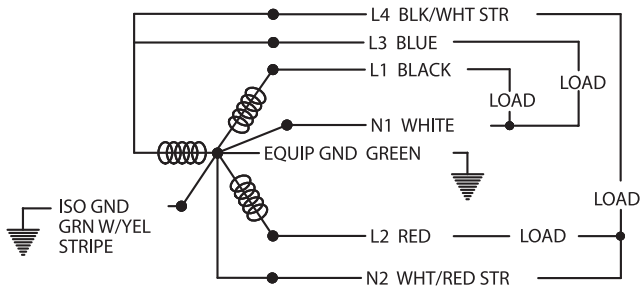


277V 20A SYSTEM FOR 1 OR 2 LINE CONDUCTORS CONNECTED TO A GROUNDED THREE-PHASE WYE AND ISOLATED GROUND

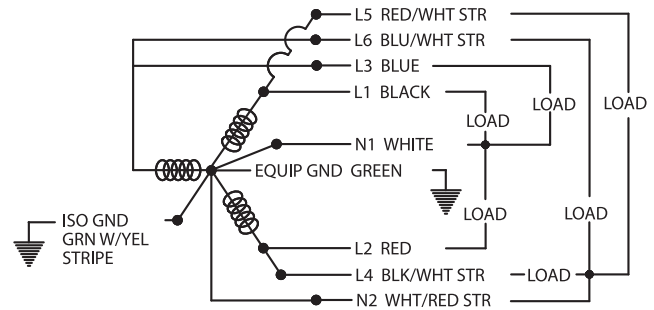


WALKERFLEX SYSTEM WIRING DIAGRAMS (continued)

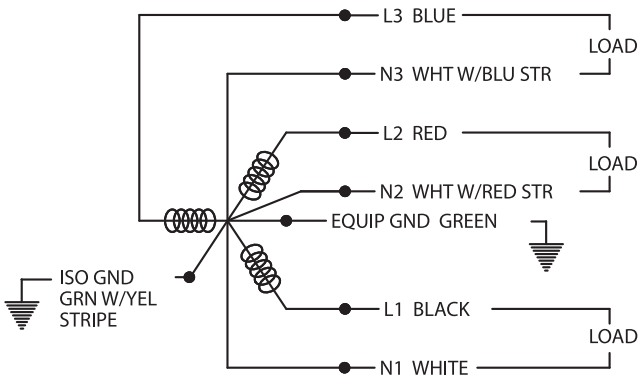
120V 20A SYSTEM FOR 4 LINE CONDUCTORS & 2 NEUTRALS CONNECTED TO AN ISOLATED GROUND THREE-PHASE WYE



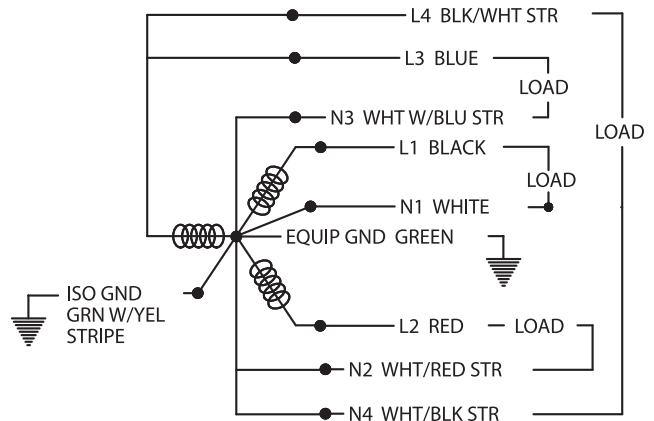
120V 20A SYSTEM FOR 6 LINE CONDUCTORS & 2 NEUTRALS CONNECTED TO AN ISOLATED GROUND THREE-PHASE WYE



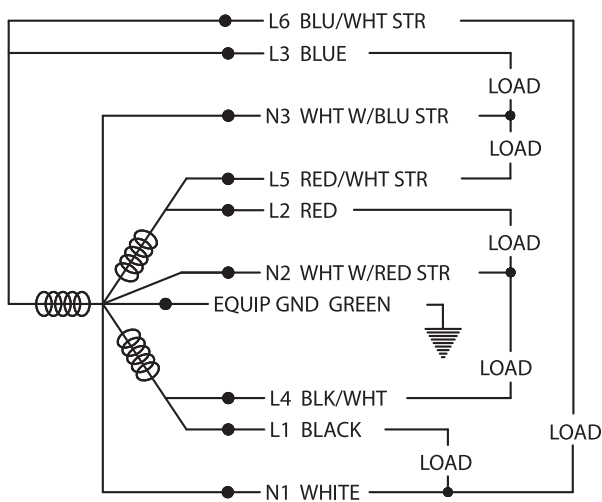
120V 20A SYSTEM FOR 3 LINE CONDUCTORS & 3 NEUTRALS CONNECTED TO AN ISOLATED GROUND THREE-PHASE WYE



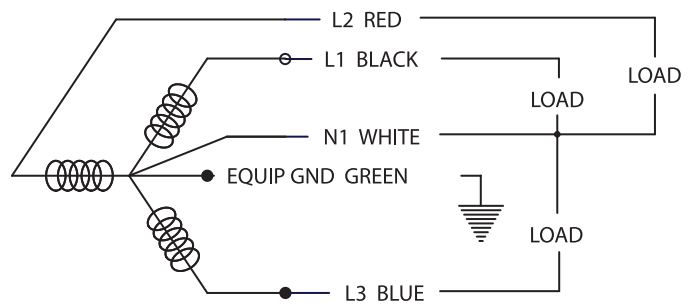
120V 20A SYSTEM FOR 4 LINE CONDUCTORS & 4 NEUTRALS CONNECTED TO AN ISOLATED GROUND THREE-PHASE WYE



120V 20A SYSTEM FOR 6 LINE CONDUCTORS & 3 NEUTRALS CONNECTED TO A THREE-PHASE WYE



240V 20A SYSTEM FOR 1, 2, OR 3 LINE CONDUCTORS CONNECTED TO A THREE-PHASE WYE



WALKERFLEX SYSTEM WIRING CONFIGURATIONS

WALKERFLEX 3-6 KEY CONFIGURATIONS

SYSTEM	TERMINAL BLOCK COLOR	KEY	POWER OUT	POWER IN
20A, 120V	Black	A		
20A, 120V, IG	Orange	B		
20A, 120V, 2N	Clear	C		
20A, 277V	Yellow	D		
20A, 277V, IG	Green	E		
20A, 277V, 2N	Blue	F		
20A, 240V	Gray	G		

WALKERFLEX 8-10 KEY CONFIGURATIONS

SYSTEM	TERMINAL BLOCK COLOR	KEY	POWER OUT	POWER IN
20A, 120V, 4H/2N/IG	Black	422		
20A, 120V, 4H/4N/IG	Orange	442		
20A, 120V, 3H/3N/IG	Natural	332		
20A, 120V, 6H/3N/IG	Blue	631		
20A, 120V, 6H/2N/IG	Ivory	622		

8-10 SYSTEM KEYING CONFIGURATIONS & COLORS

SYSTEM	TERMINAL BLOCK COLOR	KEY	CONFIG	H		N		G	
				CONDUCTOR LOCATION	WIRE COLOR	CONDUCTOR LOCATION	WIRE COLOR	CONDUCTOR LOCATION	WIRE COLOR
120V 4H/2N/IG	Black	422	422	7 8 9 10	Line 1: Black Line 2: Red Line 3: Blue Line 4: Blk/Wht	2 3	Neutral 1: White Neutral 2: Wht/Red	1 6	Equip Gnd: Green ISO Gnd: Grn/Yel
120V 4H/4N/IG	Orange	442	442	7 8 9 10	Line 1: Black Line 2: Red Line 3: Blue Line 4: Blk/Wht	2 3 4 5	Neutral 1: White Neutral 2: Wht/Red Neutral 3: Wht/Blu Neutral 4: Wht/Blk	1 6	Equip Gnd: Green ISO Gnd: Grn/Yel
120V 3H/3N/IG	Natural	332	332	7 8 9	Line 1: Black Line 2: Red Line 3: Blue	2 3 4	Neutral 1: White Neutral 2: Wht/Red Neutral 3: Wht/Blu	1 6	Equip Gnd: Green ISO Gnd: Grn/Yel
120V 6H/3N/G	Blue	631	631	5 6 7 8 9 10	Line 1: Black Line 2: Red Line 3: Blue Line 4: Blk/Wht Line 5: Red/Wht Line 6: Blu/Wht	2 3 4	Neutral 1: White Neutral 2: Wht/Red Neutral 3: Wht/Blu	1	Equip Gnd: Green
120V 6H/2N/IG	Ivory	622	622	4 5 7 8 9 10	Line 1: Black Line 2: Red Line 3: Blue Line 4: Blk/Wht Line 5: Red/Wht Line 6: Blu/Wht	2 3	Neutral 1: White Neutral 2: Wht/Red	1 6	Equip Gnd: Green ISO Gnd: Grn/Yel

WALKERFLEX SYSTEM WIRING CONFIGURATIONS (continued)

3-6 SYSTEM KEYING CONFIGURATIONS & COLORS

TERMINAL BLOCK COLOR	KEY	CONFIG	H		N		G	
			CONDUCTOR LOCATION	WIRE COLOR	CONDUCTOR LOCATION	WIRE COLOR	CONDUCTOR LOCATION	WIRE COLOR
Black	A	111	1	Line 1: Black	6	Neutral 1: White	4	Equip Gnd: Green
		211	1 2	Line 1: Black Line 2: Red	6	Neutral 1: White	4	Equip Gnd: Green
		311	1 2 3	Line 1: Black Line 2: Red Line 3: Blue	6	Neutral 1: White	4	Equip Gnd: Green
		411	1 2 3 5	Line 1: Black Line 2: Red Line 3: Blue Line 4: Blk/Wh	6	Neutral 1: White	4	Equip Gnd: Green
Orange	B	112	1	Line 1: Black	6	Neutral 1: White	4 5	Equip Gnd: Green ISO Gnd: Gm/Yel
		212	1 2	Line 1: Black Line 2: Red	6	Neutral 1: White	4 5	Equip Gnd: Green ISO Gnd: Gm/Yel
		222	1 2	Line 1: Black Line 2: Red	6 3	Neutral 1: White Neutral 2: Wht/Red	4 5	Equip Gnd: Green ISO Gnd: Gm/Yel
Clear	C	221	1 2	Line 1: Black Line 2: Red	6 5	Neutral 1: White Neutral 2: Wht/Red	4	Equip Gnd: Green
Yellow	D	111	1	Line 1: Black	6	Neutral 1: White	4	Equip Gnd: Green
		211	1 2	Line 1: Black Line 2: Red	6	Neutral 1: White	4	Equip Gnd: Green
		311	1 2 3	Line 1: Black Line 2: Red Line 3: Blue	6	Neutral 1: White	4	Equip Gnd: Green
		411	1 2 3 5	Line 1: Black Line 2: Red Line 3: Blue Line 4: Blk/Wh	6	Neutral 1: White	4	Equip Gnd: Green
Green	E	112	1	Line 1: Black	6	Neutral 1: White	4 5	Equip Gnd: Green ISO Gnd: Gm/Yel
		212	1 2	Line 1: Black Line 2: Red	6	Neutral 1: White	4 5	Equip Gnd: Green ISO Gnd: Gm/Yel
		222	1 2	Line 1: Black Line 2: Red	6 3	Neutral 1: White Neutral 2: Wht/Red	4 5	Equip Gnd: Green ISO Gnd: Gm/Yel
Blue	F	221	1 2	Line 1: Black Line 2: Red	6 3	Neutral 1: White Neutral 2: Wht/Red	4 5	Equip Gnd: Green
Gray	G	111	1	Line 1: Black	6	Neutral 1: White	4	Equip Gnd: Green
		211	1 2	Line 1: Black Line 2: Red	6	Neutral 1: White	4	Equip Gnd: Green
		311	1 2 3	Line 1: Black Line 2: Red Line 3: Blue	6	Neutral 1: White	4	Equip Gnd: Green



Wiremold

WIREMOLD

U.S. and International:

60 Woodlawn Street • West Hartford, CT 06110

1-800-621-0049 • FAX 860-232-2062 • Outside U.S.: 860-233-6251

Canada:

570 Applewood Crescent • Vaughan, Ontario L4K 4B4

1-800-723-5175 • FAX 905-738-9721

