



Walker® Infloor Systems RC9AM2TC & RC7AM2TC Poke-Thru Series INSTALLATION INSTRUCTIONS

Installation Instruction No.: 1 003 168 – June 2003

Walker® electrical systems conform to and should be properly grounded in compliance with requirements of the current National Electrical Code or codes administered by local authorities.

All electrical products may present a possible shock or fire hazard if improperly installed or used. Walker electrical products may bear the mark as UL Listed and/or Classified and should be installed in conformance with current local and/or the National Electrical Code.

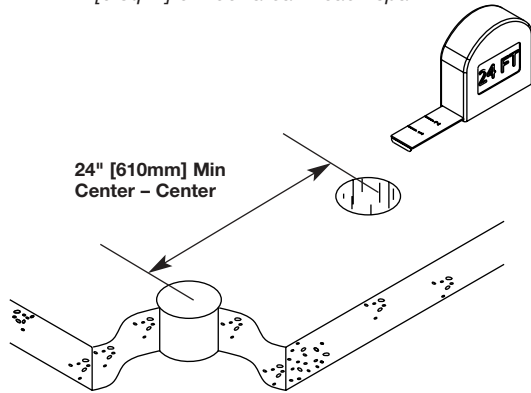
IMPORTANT: Please read all instructions before beginning.

Products Covered: Cat. No. RC9AM2TC, RC7AM2TC, RC9AM2STC, RC9CM2TC, RC7CFFTC

CAUTION: DO NOT operate tile stripper or resurfacing equipment over top of covers. This may result in damage to the surface finish of the product.

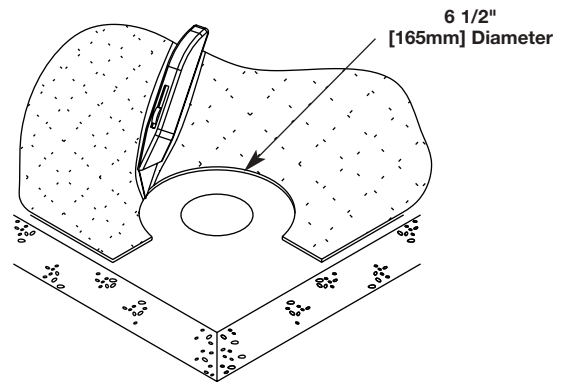
Step 1 Layout and locate position of hole(s).

CAUTION: Holes shall be spaced a minimum of 2' [610mm] on center and not more than one hole per each 65 sq. ft. [6 sq.m] of floor area in each span.



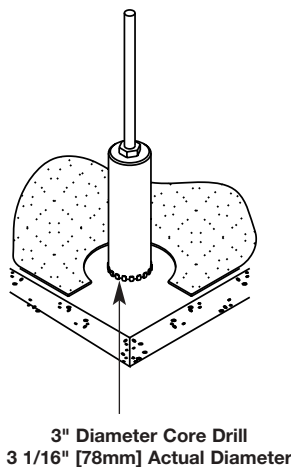
CAUTION: Be certain to drill hole at least 4" [102mm] from any wall or pillar to leave enough room for Poke-Thru cover assembly.

Step 2 Remove 6 1/2" [165mm] section from carpet or tile. Use template provided.

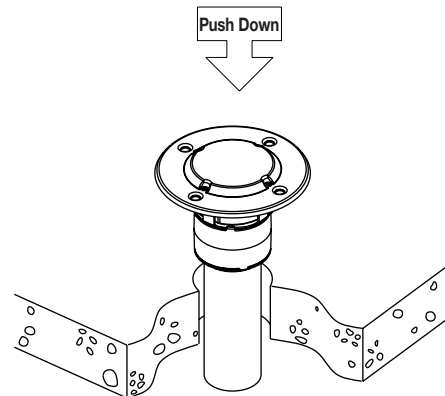


NOTE: For tile thickness greater than 3/4" [19.1mm] consult factory.

Step 3 Core drill hole.

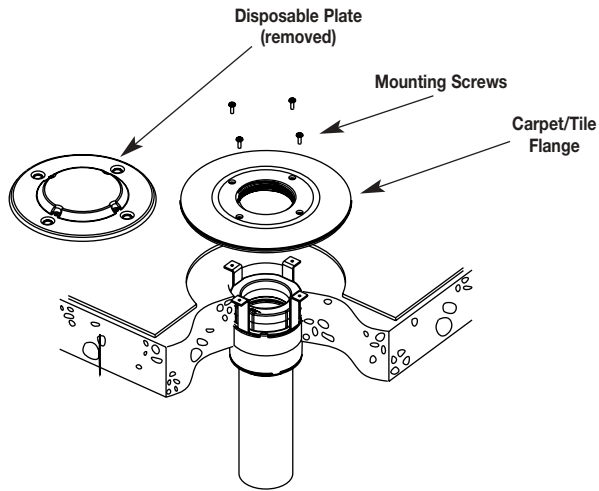


Step 4 Stem Assembly. Catalog Nos. RC9AM2STC. Insert Stem into Hole.

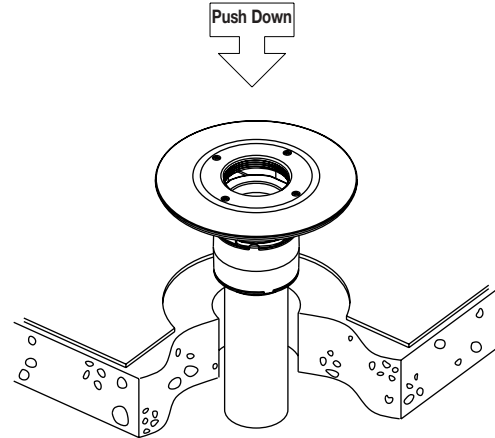


CAUTION: Poke-Thru device cannot be rotated in hole after insertion into floor.

Step 5 Cover Assembly: Catalog No. RC9CM2TC. Remove disposable plate and replace with carpet/tile flange. Install with 4 #6-32 x 3/8" [9.5mm] PHMS.

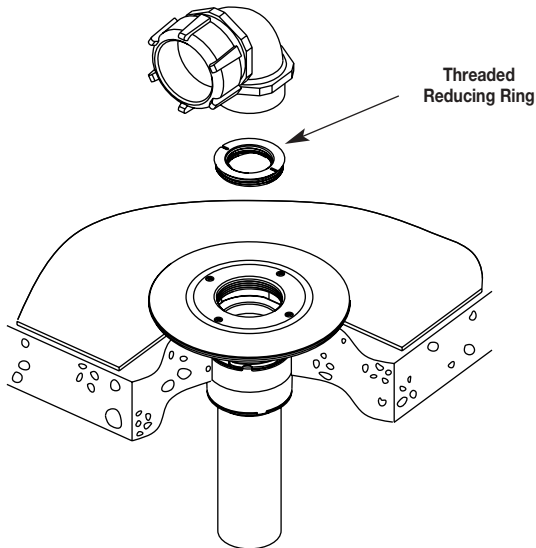


Step 6 Complete Assembly: Catalog No. RC9AM2TC. Insert assembly into hole.



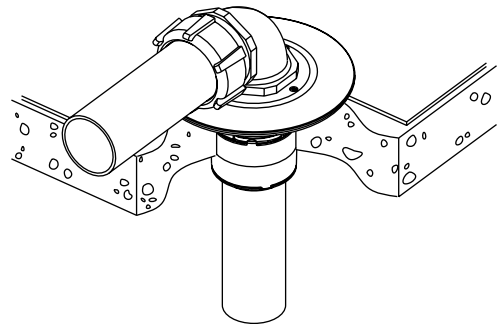
CAUTION: *Poke-Thru device cannot be rotated in hole after insertion into floor.*

Step 7 With the assembly installed, attach a 2" or 1 1/4" trade size conduit fitting. If a 1 1/4" trade size connector is used, insert the reducing ring supplied before inserting the connector.

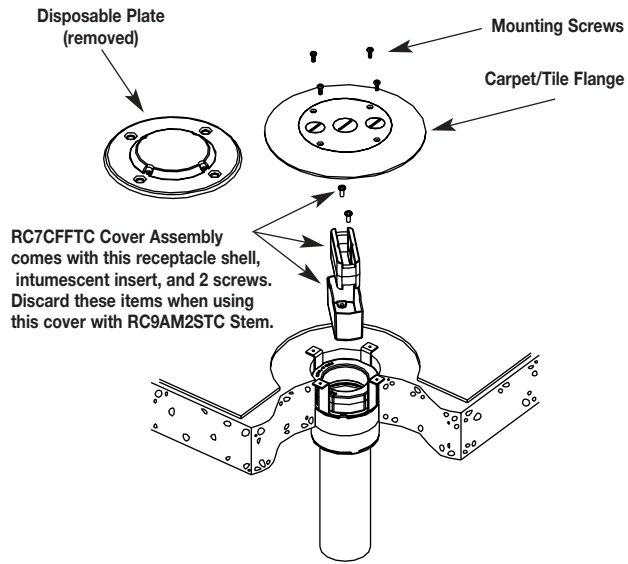


Step 8 Attach conduit, pull wires and the installation is complete.

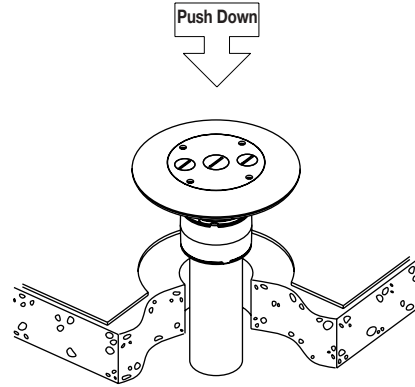
NOTE: *If Poke-Thru Device is utilized for communication type cable, where local codes permit, conduit may be omitted. A steel conduit fitting or a nipple that extends a minimum distance of 1" [25mm] beyond surface of carpet/tile flange must be utilized. Protect wires from damage by installing a bushing suitable for use with the type of fitting used.*



Step 9 Cover Assembly: Cat No. RC7CFFTC
 Remove disposable plate and replace with Carpet/Tile Flange. Install with four #6-32 x 1/2" [12.7mm] PHMS.

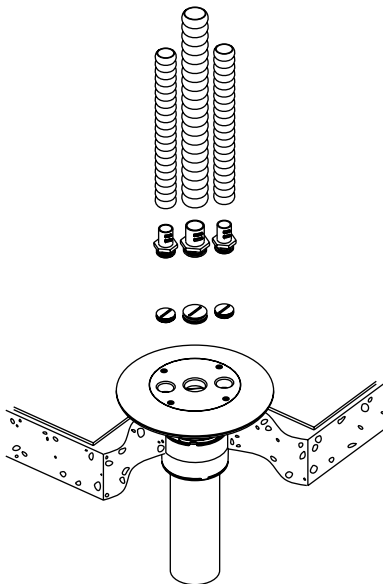


Step 10 Complete Assembly:
 Catalog No. RC7AM2TC.
 Insert assembly into hole.

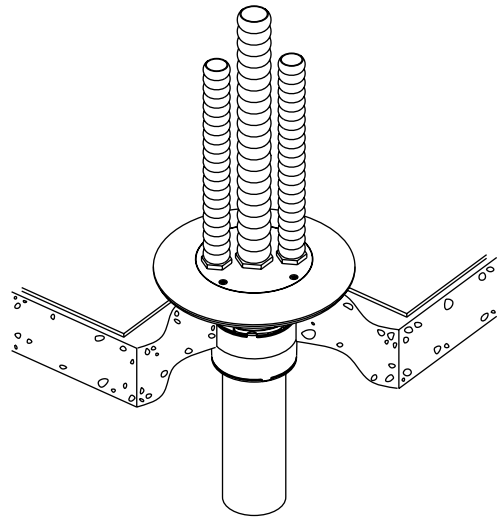


CAUTION: Poke-Thru device cannot be rotated in hole after insertion into floor.

Step 11 With assembly installed, remove screw plugs and install conduit fittings as necessary. Attach conduit to adapters.



Step 12 Completed Installation.



The RC9AM2TC and RC7AM2TC Series Poke-Thru Devices are UL Listed and Classified to U.S. and Canadian safety standards to the following conditions:

The RC9AM2STC Poke-Thru Stem with the RC9CM2TC or the RC7CFFTC Service Head Fitting; the RC9AM2TC or the RC7AM2TC factory assembled poke-thru device; the RCAPFFTC Abandonment Fitting are for use with 1-, 1 1/2-, or 2-hour rated unprotected reinforced concrete floors and 1-, 1 1/2-, or 2-hour rated floors employing unprotected steel floor units and concrete topping (D900 Series Designs), or concrete floors with suspended ceilings. (Fire resistive designs with suspended ceilings should have provisions for accessibility in the ceiling area below the poke-thru fittings).

The assembled poke-thru stem and service fitting or the abandonment fittings will not reduce the ratings of the floor assembly when the thickness and type of concrete (required for the specific rating) are within the specified limits and the fittings are installed as specified:

1. **Spacing** – Minimum of 2' [610mm] OC and not more than one unit per 65 sq. ft. [6 sq. m] of floor area in each span.
2. **Concrete** – Minimum thickness of structural concrete topping of 2 1/4" [57mm] over metal deck or a minimum 3" [76mm] thick reinforced concrete slab. Unit weight of concrete to be 110 to 155 pcf.
3. **Installation** – Mounted in a 3" [76mm] diameter core-drilled hole in concrete per installation instructions accompanying the fittings or abandonment fittings. For use with power circuits, data and/or maximum 25 pair size telephone cables as tabulated below:

POKE-THRU FITTING TYPE	SERVICE FITTING TYPE	POWER CONDUCTORS (A)	COMMUNICATION CONDUCTORS (B), (C)
RC9AM2STC	RC9CM2TC (Power Only)	18 (0.09216 sq in.) [59.462mm ²]	–
	RC9CM2TC (Communication Only)	–	288 (0.09216 sq. in.) [59.462mm ²]
	RC7CFFTC (Power Only)	18 (0.09216 sq in.) [59.462mm ²]	–
	RC7CFFTC (Communication Only)	–	288 (0.09216 sq in.) [59.462mm ²]
RC9AM2TC (Power Only)	–	18 (0.09216 sq in.) [59.462mm ²]	–
RC9AM2TC (Communication Only)	–	–	288 (0.09216 sq in.) [59.462mm ²]
RC7AM2TC (Power Only)	–	18 (0.09216 sq in.) [59.462mm ²]	–
RC7AM2TC (Communication Only)	–	–	288 (0.09216 sq in.) [59.462mm ²]

The “TC” suffix letters indicate that device may be installed on tile or carpet covered concrete floors.

- (A) Maximum number of No. 12 AWG Type THHN conductors in poke-thru fitting.
- (B) Maximum number of 24 AWG conductors in poke-thru fitting (4-pair cables have (8) conductors, 25 pair cables have (50) conductors). When conductors larger than No. 24 AWG are used, the aggregate cross-sectional area of the copper conductors shall not exceed the aggregate cross-sectional area of the 24 AWG conductors permitted in the poke-thru.
- (C) When installing the RC9 Series poke-thru device, a steel conduit fitting or a nipple that extends a minimum distance of 1" [25.4mm] beyond surface of carpet/tile flange must be utilized. Conduit may be omitted when used for communication type cable.

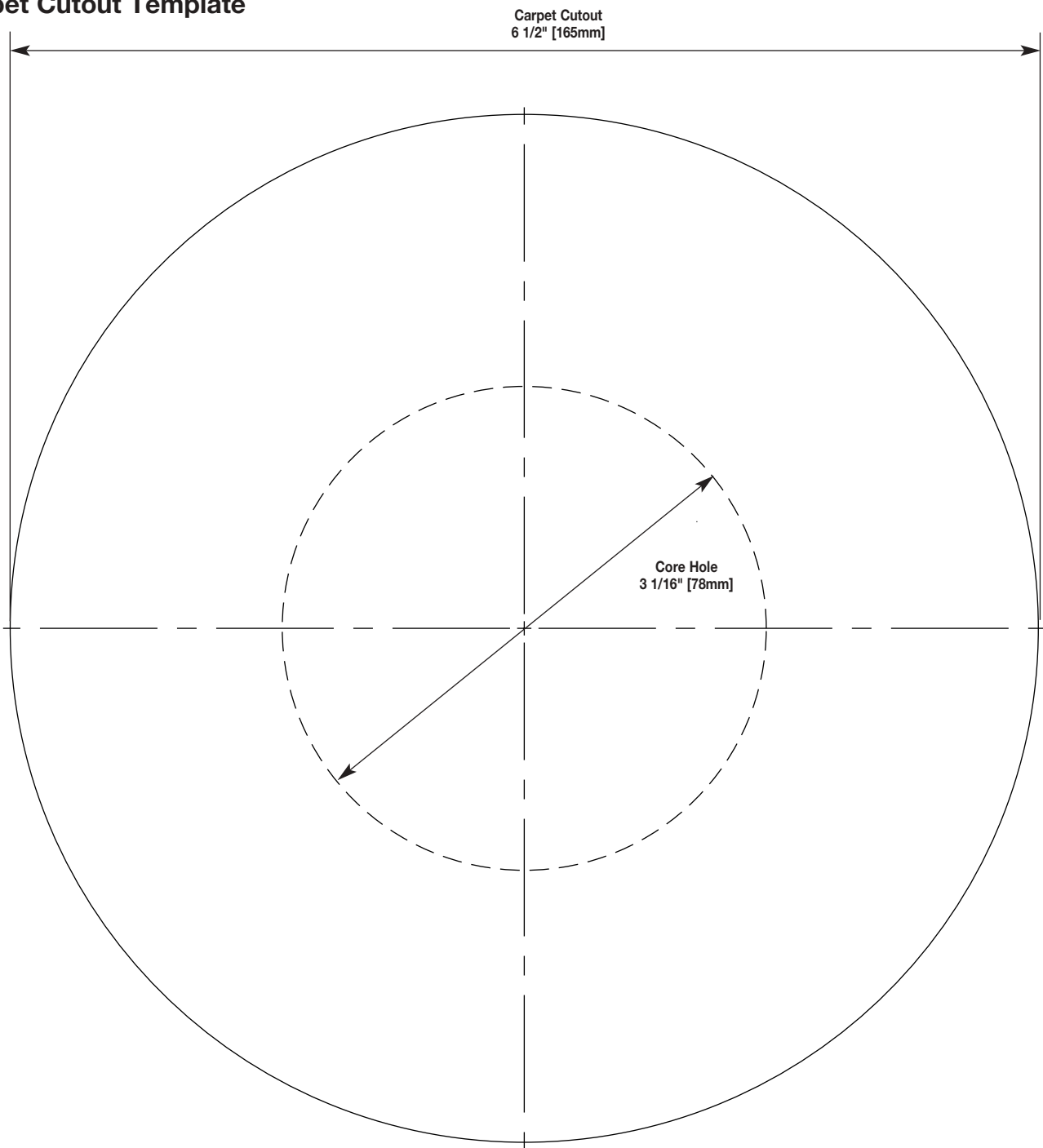
Copper Cross Sectional Area of Commonly Used Conductors	
SIZE	AREA
#24	.00032 sq. in. [.20645mm ²]
#22	.00050 sq. in. [.32258mm ²]
#14	.00323 sq. in. [2.08386mm ²]
#12	.00512 sq. in. [3.30321mm ²]
#10	.00815 sq. in. [5.25805mm ²]
# 8	.01296 sq. in. [8.36127mm ²]

NOTE: Use above values for solid or stranded conductors.

FLOOR COVERINGS: These poke-thru devices are fire rated for carpet or wood-covered concrete floors, tile floor coverings up to 3/4" [19.1mm] maximum thickness, and linoleum floor coverings up to a maximum 1/8" [3.2mm] thickness. For other floor coverings not listed above, consult factory.

NOTES

Carpet Cutout Template



CAUTION: When printing copies of this template please be sure the template is scaled correctly and is the correct size once it is printed.



The Wiremold Company

U.S. and International:

60 Woodlawn Street • West Hartford, CT 06110

1-800-621-0049 • FAX 860-232-2062 • Outside U.S.: 860-233-6251

Canada:

850 Gartshore Street • Fergus, Ontario N1M 2W8

1-800-741-7957 • FAX 519-843-5980

