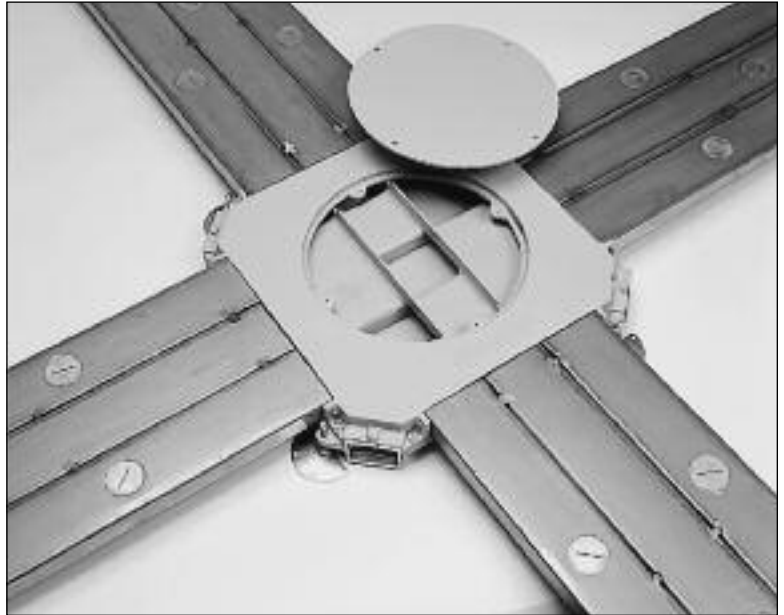


# Walkerduct® Flushduct Infloor Duct System

## Infloor Duct System ideal for building renovations

**Wiremold®** Walkerduct® Flushduct Infloor Duct System provides wire management in open space environments and is ideal for renovations to existing facilities. Because the system is in the floor and out of sight, it provides an uncluttered, aesthetically pleasing means to wire open space areas. The Flushduct Infloor Duct System is installed flush with the floor and provides easy access for wiring and activating the system. Flushduct can be the solution to new occupants of a building with inadequate wire management. The system provides future flexibility in either new or existing buildings. Duct and accessories are UL Listed to U.S. and Canadian safety standards. Activations may be installed anywhere along the length of the duct to maximize flexibility and accessibility at workstations.

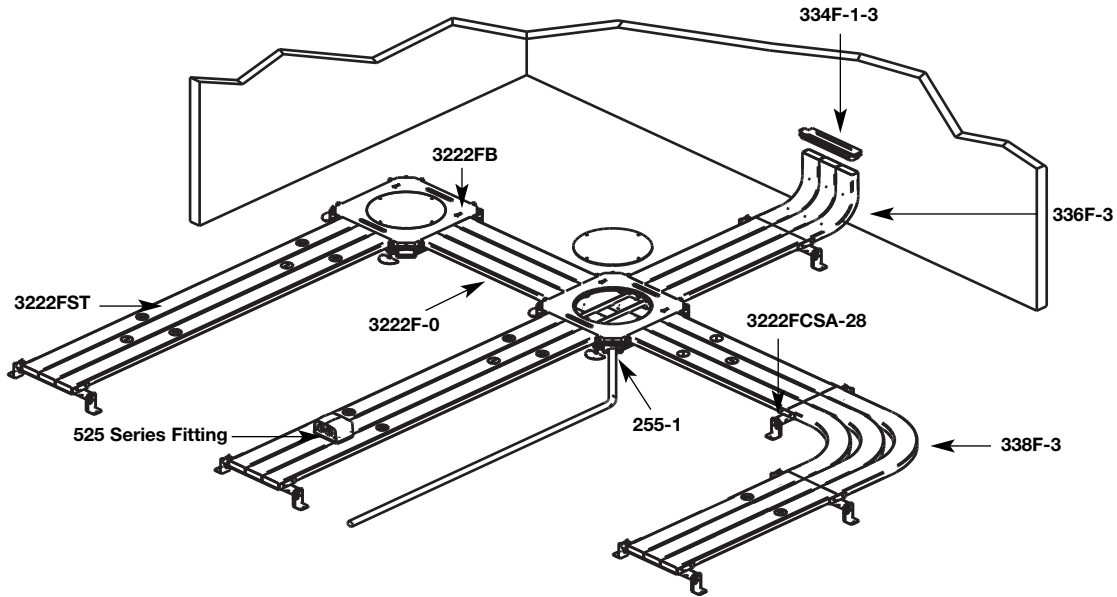


Flushduct Infloor Duct System with Junction Box.

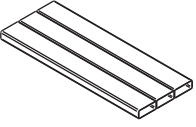
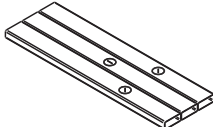
### FEATURES & BENEFITS

- **One-, two-, or three-duct combinations.** System can be configured to match communication and electrical requirements.
- **Feed and distribution ducts are located flush with the finished floor.** Simplifies locating and accessing the duct.
- **Easy access into duct through factory installed screw plugs.** Provide easy activation and deactivation. A variety of pedestal activations are available.
- **1 3/8" [35mm] minimum system depth.** Permits installation in shallow concrete pours.
- **Trenchduct feed maximizes capacity.** Match feeder size to the building's future requirements.
- **Provides infloor solution for building renovations.** Flushduct offers future versatility for power and communication needs.

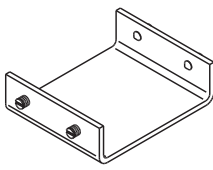
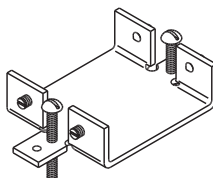
## Walkerduct Flushduct Infloor Duct System Layout



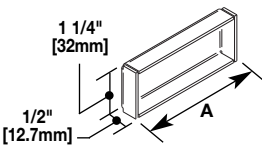
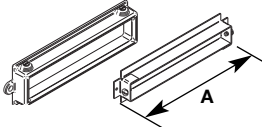
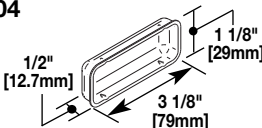
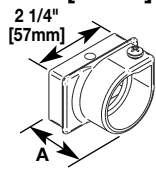
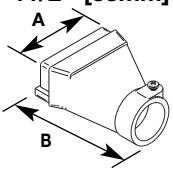
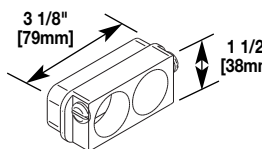
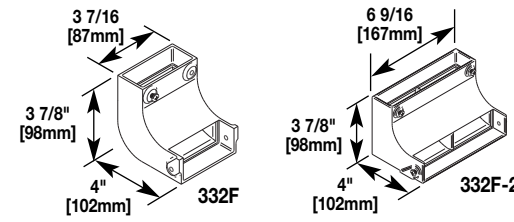
## Walkerduct Flushduct Duct Ordering Information

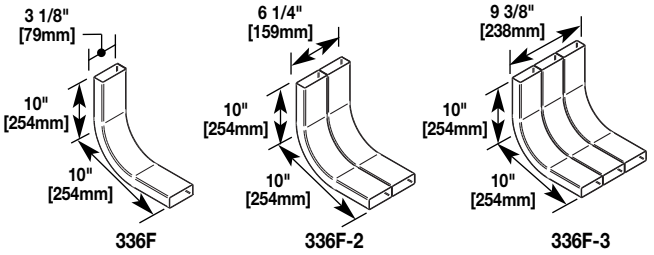
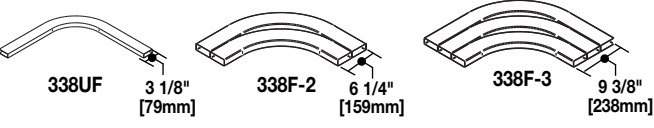
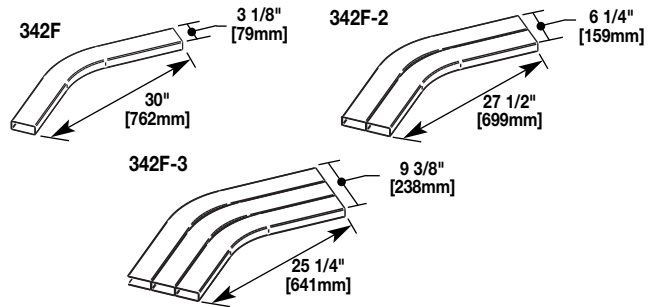
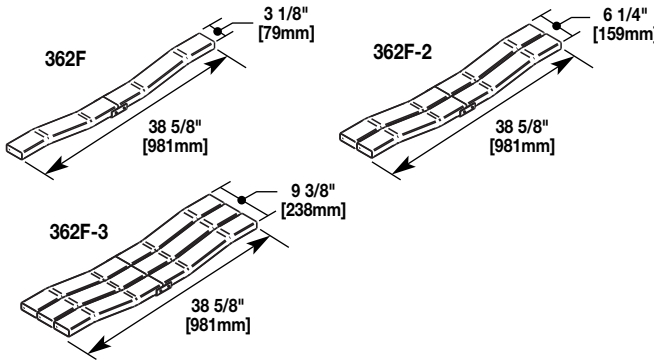
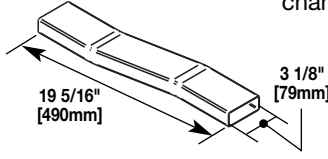
Catalog No./Item	Description/Specifications	Catalog No./Item	Description/Specifications
12F-0 222F-0 3222F-0	<b>Single Duct</b> <b>Double Duct</b> <b>Triple Duct</b> <b>Blank Duct</b> – For feeder runs with precise placement of openings. Double and Triple Duct Systems are welded together. 10' [3.048m] standard length.	12FST 222FST 3222FST	<b>Single Duct</b> <b>Double Duct</b> <b>Triple Duct</b> <b>Ducts</b> – Provided with 1 5/8" [41mm] diameter threaded openings and removable plugs for service fitting attachment. Openings are staggered 24" [609.6mm] to facilitate placement of service fittings. 10' [3.048m] standard length.
			

## Walkerduct Flushduct Coupling & Supports Ordering Information

Catalog No./Item	Description/Specifications	Catalog No./Item	Description/Specifications
12FC 222FC 3222FC	<b>Single Duct</b> <b>Double Duct</b> <b>Triple Duct</b> <b>Couplings</b> – Used to couple ends of duct together. Set screws used to hold duct in place.	12FCS 222FCS 3222FCS	<b>Single Duct</b> <b>Double Duct</b> <b>Triple Duct</b> <b>Couplings/Supports</b> – Provides 1" [25mm] vertical adjustment and couples ends of duct together. Recommend at 5' [1.524m] intervals.
			

## Walkerduct Flushduct Fittings Ordering Information

Catalog No./Item	Description/Specifications																					
<b>12F-WS Single Duct</b> <b>222F-WS Double Duct</b> <b>3222F-WS Triple Duct</b>	<b>Blank Washer</b> – For closing off unused junction box opening. "A" dimension is 3 3/16" [81mm] for 12F-WS, 6 5/16" [160mm] for 222F-WS, and 9 7/16" [240mm] for 3222F-WS.																					
<b>334UF Single Duct</b> <b>334F-1-2 Double Duct</b> <b>334F-1-3 Triple Duct</b>	<b>Terminal Bushing</b> – For securing Flushduct to cabinet. "A" dimension is 4 1/8" [105mm] for 334UF, 7 5/8" [194mm] for 334F-1-2, and 11 11/16" [281mm] for 334F-1-3.																					
<b>304</b>	<b>End Cap</b> – To close off end of duct.																					
<b>255-3/4 [19.1mm]</b> -1 [25mm] -11/4 [32mm] -11/2 [38mm] -2 [51mm]	<b>Box Conduit Corner Adapter</b> – For one conduit. Suffix denotes conduit trade size.	 <table border="1" style="margin-top: 10px; width: 100%; border-collapse: collapse;"> <thead> <tr> <th>Catalog No.</th> <th>"A" Dimension Inches</th> <th>"A" Dimension [mm]</th> </tr> </thead> <tbody> <tr> <td>255-3/4</td> <td>1 7/8</td> <td>[48mm]</td> </tr> <tr> <td>255-1</td> <td>1 7/8</td> <td>[48mm]</td> </tr> <tr> <td>255-1 1/4</td> <td>2 1/4</td> <td>[57mm]</td> </tr> <tr> <td>255-1 1/2</td> <td>2 1/4</td> <td>[57mm]</td> </tr> <tr> <td>255-2</td> <td>2 3/4</td> <td>[70mm]</td> </tr> </tbody> </table>	Catalog No.	"A" Dimension Inches	"A" Dimension [mm]	255-3/4	1 7/8	[48mm]	255-1	1 7/8	[48mm]	255-1 1/4	2 1/4	[57mm]	255-1 1/2	2 1/4	[57mm]	255-2	2 3/4	[70mm]		
Catalog No.	"A" Dimension Inches	"A" Dimension [mm]																				
255-3/4	1 7/8	[48mm]																				
255-1	1 7/8	[48mm]																				
255-1 1/4	2 1/4	[57mm]																				
255-1 1/2	2 1/4	[57mm]																				
255-2	2 3/4	[70mm]																				
<b>312F-1 [25mm]</b> <b>312F-11/4 [32mm]</b> <b>312F-11/2 [38mm]</b>	<b>Conduit Adapter</b> – Used to feed single conduit into end of duct. Suffix denotes trade size.	 <table border="1" style="margin-top: 10px; width: 100%; border-collapse: collapse;"> <thead> <tr> <th>Catalog No.</th> <th>"A" Dimension Inches</th> <th>"A" Dimension [mm]</th> <th>"B" Dimension Inches</th> <th>"B" Dimension [mm]</th> </tr> </thead> <tbody> <tr> <td>312F-1</td> <td>1 3/8</td> <td>[35mm]</td> <td>2 1/4</td> <td>[57mm]</td> </tr> <tr> <td>312F-1 1/4</td> <td>1 11/16</td> <td>[43mm]</td> <td>2 7/16</td> <td>[62mm]</td> </tr> <tr> <td>312F-1 1/2</td> <td>3 1/8</td> <td>[79mm]</td> <td>2 3/4</td> <td>[70mm]</td> </tr> </tbody> </table>	Catalog No.	"A" Dimension Inches	"A" Dimension [mm]	"B" Dimension Inches	"B" Dimension [mm]	312F-1	1 3/8	[35mm]	2 1/4	[57mm]	312F-1 1/4	1 11/16	[43mm]	2 7/16	[62mm]	312F-1 1/2	3 1/8	[79mm]	2 3/4	[70mm]
Catalog No.	"A" Dimension Inches	"A" Dimension [mm]	"B" Dimension Inches	"B" Dimension [mm]																		
312F-1	1 3/8	[35mm]	2 1/4	[57mm]																		
312F-1 1/4	1 11/16	[43mm]	2 7/16	[62mm]																		
312F-1 1/2	3 1/8	[79mm]	2 3/4	[70mm]																		
<b>324-3/4</b>	<b>Male Conduit Adapter</b> – Fits into end of No. 2 duct. For two 3/4" trade size conduits.																					
<b>332F Single Duct</b> <b>333F-2 Double Duct</b>	<b>Vertical 90° Elbow</b> – For extending Flushduct up wall. 1 1/2" [38mm] bend radii.																					

Catalog No./Item	Description/Specifications	
<b>336F Single Duct</b> <b>336F-2 Double Duct</b> <b>336F-3 Triple Duct</b>	<b>Vertical 90° Elbow</b> – For extending Flushduct up wall. 4" [102mm] bend radii.	
<b>338UF Single Duct</b> <b>338F-2 Double Duct</b> <b>338F-3 Triple Duct</b>	<b>Horizontal 90° Elbow</b> – For turning corner with duct.	
<b>342F Single Duct</b> <b>342F-2 Double Duct</b> <b>342F-3 Triple Duct</b>	<b>Horizontal 45° Elbow</b> – For turning corner with duct.	
<b>362F Single Duct</b> <b>362F-2 Double Duct</b> <b>362F-3 Triple Duct</b>	<b>Vertical Offset</b> – to accommodate 1 3/8" [35mm] change in system depth.	
<b>372F</b>	<b>Vertical Offset</b> – to accommodate 1 3/8" [35mm] change in system depth.	

## Walkerduct Flushduct Junction Box Ordering Information

Catalog No./Item	Description/Specifications	
<b>12FB Single Duct</b> <b>222FB Double Duct</b> <b>3222FB Triple Duct</b>	<b>Junction Box</b> – Used at duct intersections. Provide access to system for pulling and splicing of wires. Constructed of cast iron. Interiors of two- and three-duct boxes have partitions isolating each duct and forming a continuous raceway through the box. Conduit openings located at each corner of box.	
<b>6LHX-*</b> For 12FB Junction Box <b>7LHX-*</b> For 222FB Junction Box <b>10LHX-*</b> For 3222FB Junction Box	<b>Carpet or Tile Holder</b> – Flanged stainless steel or brass holders recessed to hold carpet or tile.	
		<b>NOTE: X= S for Steel or B for Brass.</b> <b>* Specify 1/8 or 1/4.</b>

## Walkerduct Flushduct Afterset & Finishing Components Ordering Information

Catalog No./Item	Description/Specifications	Catalog No./Item	Description/Specifications
<b>544021</b> <b>544022</b>	<b>Screw Plugs</b> – For threaded openings in Flushduct. 544022 (1 5/8" [41mm]) supports current FST System. 544021 (1 1/4" [32mm]) supports previous (now obsolete F Flushduct System).	<b>455F-3/4</b> <b>455F-1</b>	<b>Threaded Outlet Flange</b> – For locking nipple or standpipe. 455F-3/4 is 3/4" [19.1mm] and 455F-1 is 1" [25mm].
<b>7140F Brass</b> <b>7141F Zinc</b>	<b>Marker Screw Plug</b> – For 1 5/8" [41mm] threaded openings in Flushduct. Used to designate service in each duct.	<b>455FP-3/4</b> <b>455FP-1</b>	<b>Die-Cast Plug</b> – Threads into 455F Outlet Flange. Use 455FP-3/4 with 455F-3/4 and 455FP-1 with 455F-1.
<b>450F-1</b> <b>450F-11/4</b>	<b>Brass Ferrule</b> – Used to create access into duct at a custom location. With internal threads for 1" [25mm] or 1 1/4" [32mm] nipple or standpipe. To install in Flushduct, field cut 1 1/2" [38mm] hole for 1" [25mm] ferrule (450F-1) or 1 7/8" [48mm] hole for 1 1/4" [32mm] (450F-1 1/4) ferrule.	<b>470F-1</b> <b>470F-11/4</b>	<b>Crimping Tool</b> – Used to install 450F Brass Ferrule. 470F-1 is 1" [25mm] and 470F-11/4 is 1 1/4" [32mm].
<b>450FP-1</b> <b>450FP-11/4</b>	<b>Brass Plug</b> – Threads into brass ferrule to close deactivated opening. Use 450FP-1 for 1" [25mm] opening and 450FP-11/4 for 1 1/4" [32mm] opening.	<b>1124F-3/4</b> <b>1124F-1</b>	<b>Locking Nipple</b> – 1124F-3/4 is for 3/4" [19.1mm] IPS opening, and 1124F-1 is for 1" [25mm] IPS opening. Both 1124F-3/4 and 1124F-1 are 5/8" [15.9mm] long.



60 Woodlawn Street  
 West Hartford, CT 06110  
 Phone: 1.877.BY.LEGRAND (295-3472)  
[www.legrand.us/wiremold](http://www.legrand.us/wiremold)

570 Applewood Crescent  
 Vaughan, Ontario L4K 4B4  
 Phone: 905.738.9195

