

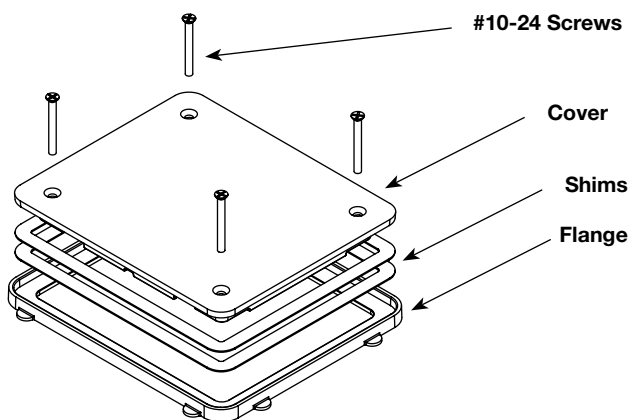
Catalog Number(s): FP-CTR – For use with RFB2, RFB4, RFB6, PK Presets & EFBFF

Country of Origin: Made in U.S.

• READ ALL INSTRUCTIONS BEFORE BEGINNING

Legrand/Wiremold electrical systems conform to and should be properly grounded in compliance with requirements of the current National Electrical Code or codes administered by local authorities.

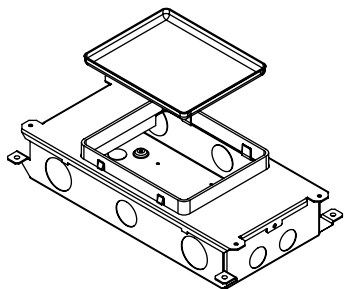
All electrical products may present a possible shock or fire hazard if improperly installed or used. Legrand/Wiremold electrical products may bear the mark of a Nationally Recognized Testing Laboratory and should be installed in conformance with current local and/or the National Electrical Code.



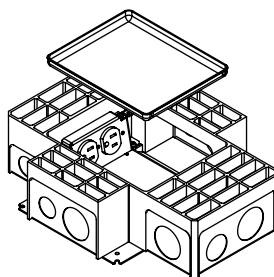
FINISHED CONCRETE FLOOR INSTALLATION:

1

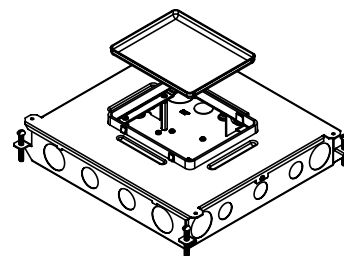
Remove and discard steel plate mud cap.



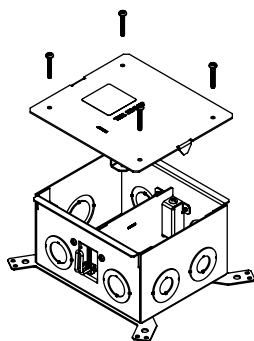
RFB2 Series



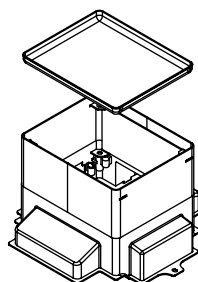
RFB4 Series



RFB6 Series



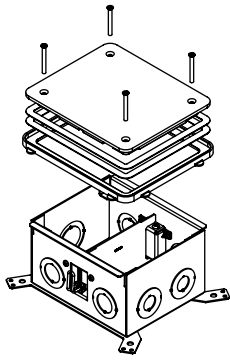
EFBFF Series



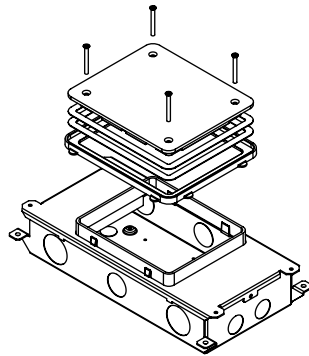
PK Presets Series

2

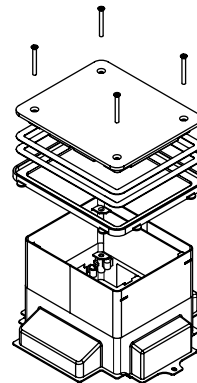
Attach FP-CTR flange and cover using the four (4) #10-24 screws provided.



EFBFF Series



RFB2 Series

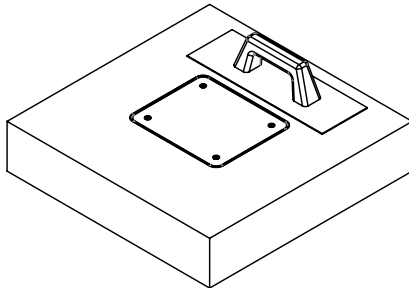


PK Presets Series

NOTE: RFB2 Series Shown. FP-CTR also works with RFB4 and RFB 6 Series Floor Boxes.

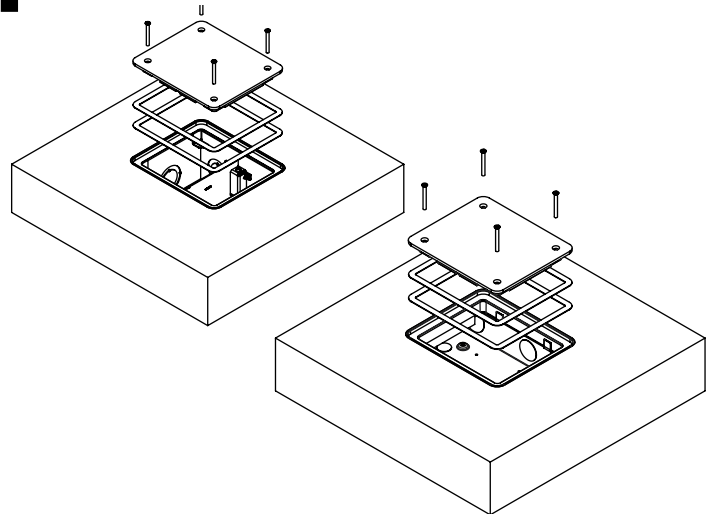
3

Screed concrete level with the top edge of flange and cover.



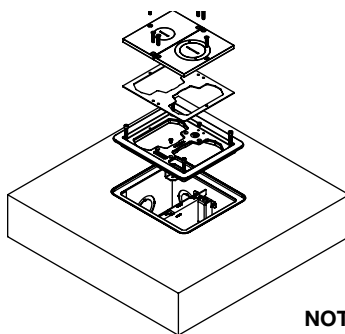
4

After the concrete has set, remove the four (4) #10-24 screws, covers and shims.



5

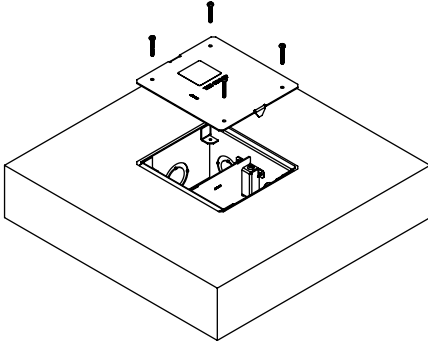
Complete activation by replacing cover with FloorPort Series Covers (sold separately) and adjust height of cover using the provided shims to ensure that cover is flush with the flange edge.



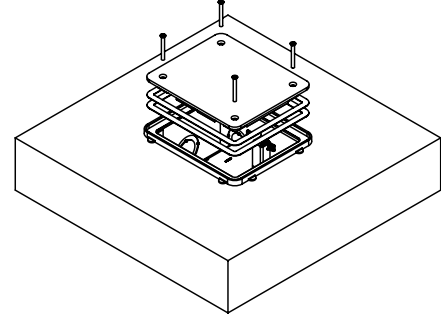
NOTE: FPFFTC Cover shown in illustration. FP-CTR Trim Ring also works with FloorPort Series Covers FPCTC and FPBTC.

TERRAZZO INSTALLATION:

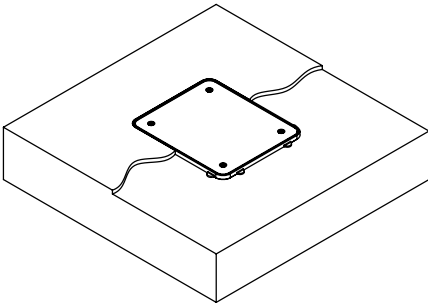
- 1** Follow box instructions for a concrete pour. Once concrete is cured, remove mudcap from boxes.



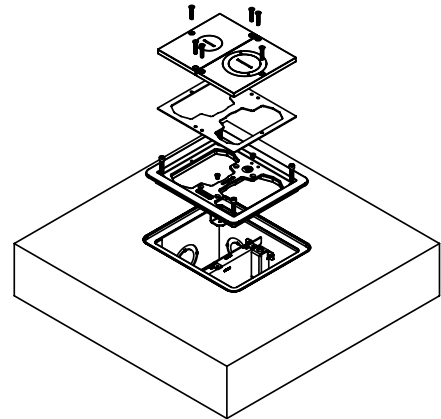
- 2** Attach FP-CTR flange and cover using the four (4) #10-24 screws provided.



- 3** Pour terrazzo finish to top edge of flange and cover.



- 4** After the terrazzo has set and all floor polishing is completed you can now continue the activation by replacing the FP-CTR cover with a Floor Port Series Cover (sold separately) and adjust height of cover using the provided shims to ensure that cover is flush with the flange edge.



NOTE: FPFFTC Cover shown in illustration. FP-CTR Trim Ring also works with FloorPort Series Covers FPCTC and FPBTC.

Installation Instructions No:
1 010 620 0512

60 Woodlawn Street
West Hartford, CT 06110
1.877.BY.LEGRAND (295.3472)
www.legrand.us

570 Applewood Crescent
Vaughan, ONT L4K 4B4
905.738.919 5
www.legrand.ca

 **legrand®**

Wiremold
60 Woodlawn Street
West Hartford, CT 06110
1.800.621.0049

