



Wiremold

RFB Series Floor Boxes

INSTALLATION INSTRUCTIONS

Installation Instruction No.: 1 007 256R2 – Updated January 2012

Legrand/Wiremold electrical systems conform to and should be properly grounded in compliance with requirements of the current National Electrical Code or codes administered by local authorities.

All electrical products may present a possible shock or fire hazard if improperly installed or used. Legrand/Wiremold electrical products may bear the mark as UL Listed and/or Classified and should be installed in conformance with current local and/or the National Electrical Code.

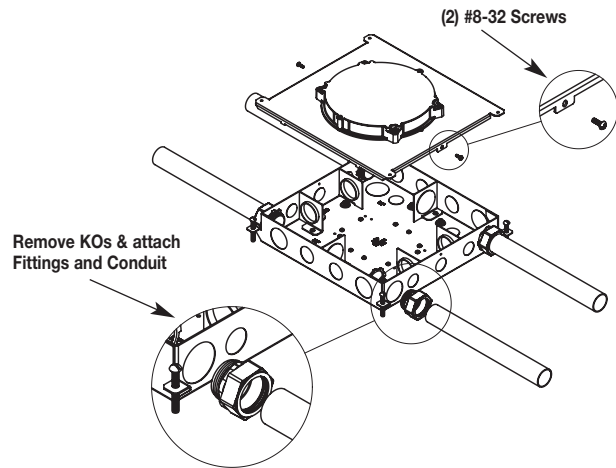
IMPORTANT: Please read all instructions before beginning.

PRODUCTS: Floor Box Cat. Nos.: RFB4E, RFB4E-OG, RFB6, RFB6-OG, RFB6E, RFB6E-OG
Device Plate Cat. Nos.: RFB6B, RFB6DP, RFB6GFI, RFB6S1, RFB6S2, RFB6RT, RFB6EXT, RFB62A, RFB6-AAP
Furniture Feed Kit Cat. Nos.: RFB4KIT, RFB6KIT
Bare Concrete & Terrazzo Ring Cat. Nos.: RFB4E-CTR, RFB6E-CTR

RFB Series Floor Boxes and Activations are UL Listed for use with tile, terrazzo and carpet covered concrete floors. RFB6 and RFB6-OG Floor Boxes and Activations are also UL Listed for use with floors of wood construction.

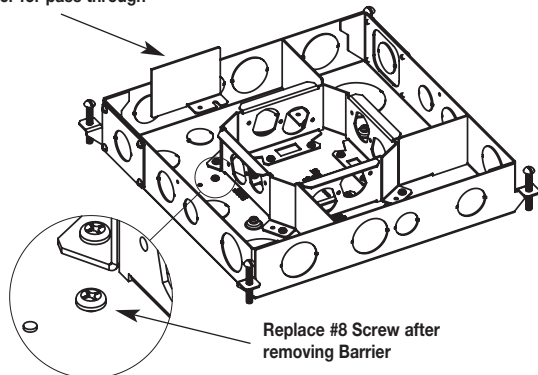
BEFORE CONCRETE POUR:

- Step 1.** Determine box location and conduit layout.
- Step 2.** Take off box top by removing two (2) #8-32 screws attaching cover to base.
- Step 3.** Remove necessary knockouts. Attach conduit and fittings (not supplied by Wiremold) to steel base.



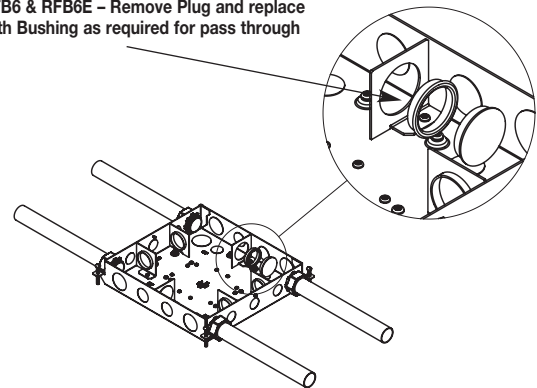
Step 4. Configure adjacent compartments.

RFB4E – Remove and discard Barrier for pass through



RFB4E Series Boxes are configured with solid removable partitions that can be discarded for wire pass through. Replace #8 screw back into base after barrier removal.

RFB6 & RFB6E – Remove Plug and replace with Bushing as required for pass through

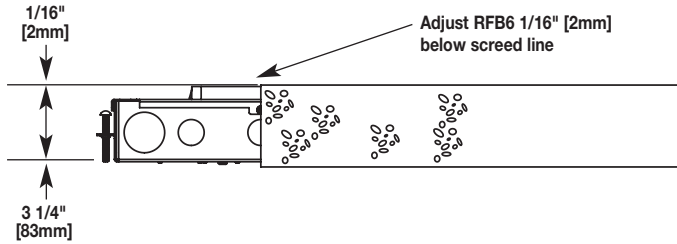


RFB6 and RFB6E Series Boxes are configured with non-removable partitions containing pre-installed plugs. Depending on wiring configuration, plugs may be replaced with included bushings for wire pass through. This may be done pre- or post-pour.

- Step 5.** Re-attach box cover to base with two (2) #8-32 screws removed during Step 2.

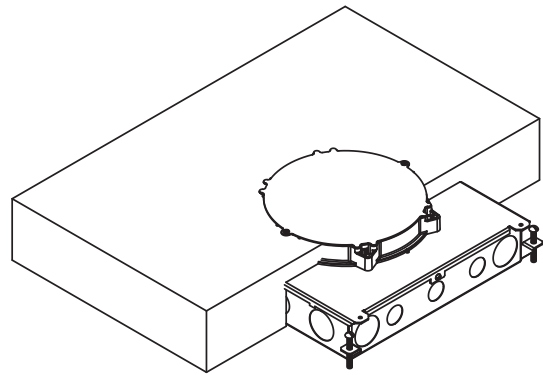
CONCRETE POUR:

Step 6. Level box, adjust to required height, and secure in place.



RFB6 Series – Insert the rectangular mudcap in plastic collar. Pour concrete 1/16" above top edge of plastic collar.

WARNING: Pours of 1/4" (6 mm) or more over box housing will make it difficult to break out the mud cap and cause excessive concrete spalling.

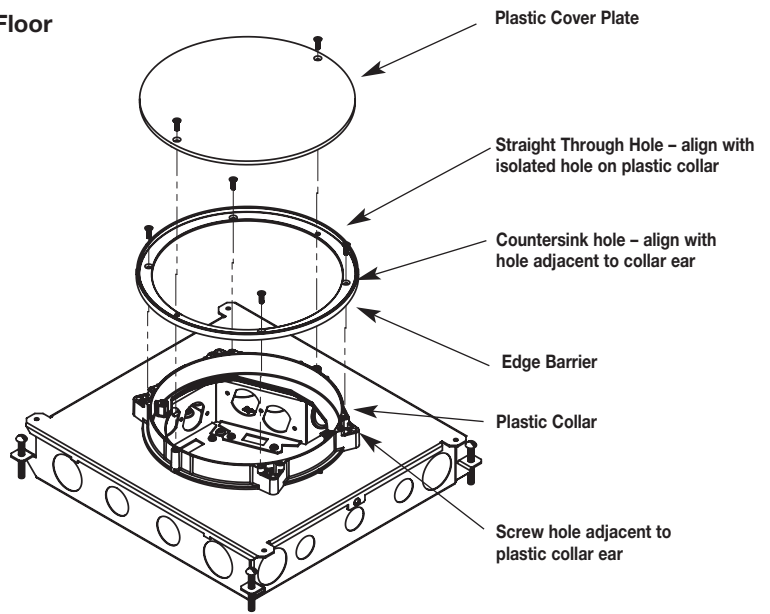


(RFB4E & RFB6E Series) Pour concrete flush with top of steel cover plate.

Step 7. RFB4E & RFB6E Series with Finished Concrete Floor

Attach Terrazzo / Bare Concrete Kit Cat. No. RFB4E-CTR or RFB6E-CTR to floor box prior to concrete pour. Remove and discard steel cover plate. Attach round edge barrier to plastic collar on box using four (4) #8 flat head screws. Insert round plastic cover plate into edge barrier and attach with remaining two (2) #8 flat head screws. Screed concrete level with top of edge barrier. The edge barrier will remain in place and the round plastic cover plate will be discarded during cover installation.

NOTE: Cat. No. RFB4E-CTR, Terrazzo/Bare Concrete Kit. is intended for use with cover Cat. No. 6CT. This kit will not work with Furniture Feed Cover, Cat. No. 6CFFTC. Cat. No. RFB6E-CTR, Terrazzo/Bare Concrete Kit is intended for use with Cat. No. 8CT.

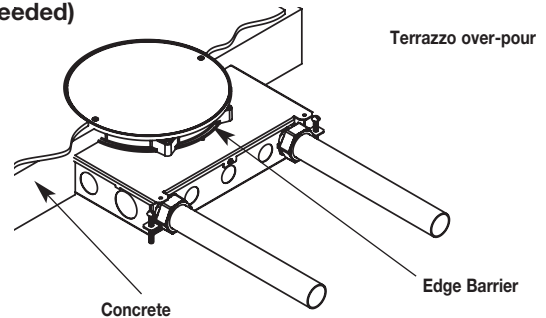


Align four (4) countersink holes in edge barrier with four (4) holes adjacent to plastic collar ears and mount with four (4) #8 screws.

AFTER CONCRETE POUR:

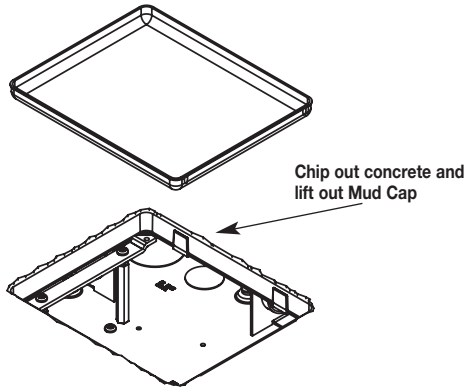
Step 8. RFB4E & RFB6E Series with Terrazzo over Concrete Floor (If needed)

Remove the flat steel plate and replace with the Terrazzo / Bare Concrete Kit Cat. No. RFB4E CTR or RFB6E-CTR as shown in Step 7. Pour terrazzo flush with top of the edge barrier.



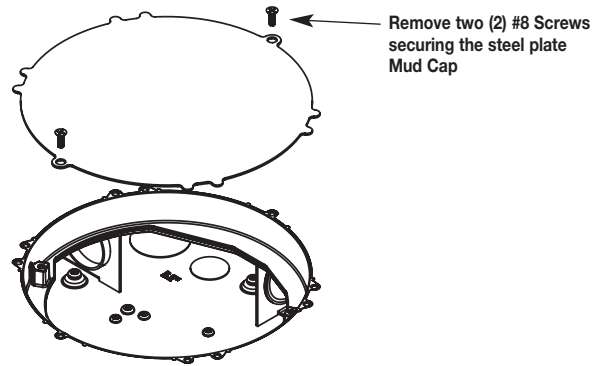
Step 9. Remove mud cap from box and clean out any debris from inside of box.

RFB6 Mud Cap Removal



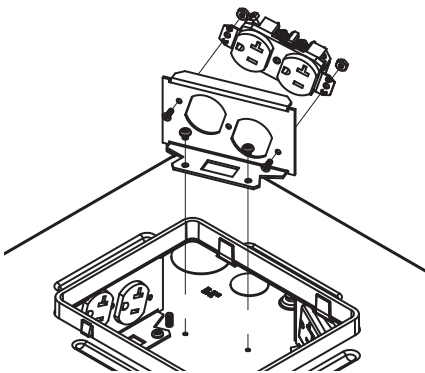
RFB6 Series – Chip away concrete located in mud cap and remove. If concrete does not break cleanly around preset, the activation might not be properly supported. The concrete edges around the top opening of the installed box must be smooth and level for the proper fit of the FloorPort Activations.

RFB4E & RFB6E Mud Cap Removal

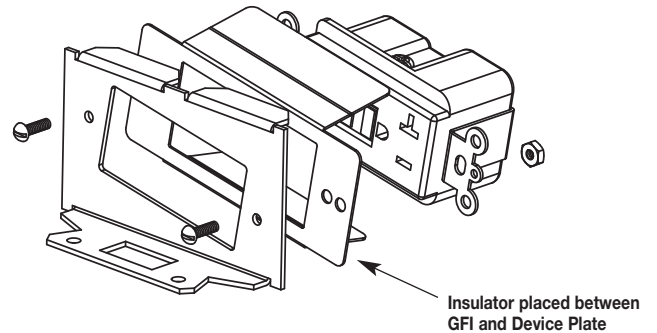


RFB4E & RFB6E Series – Remove the two (2) #8 screws securing the steel plate mud cap.

Step 10. Wire devices (not supplied by Wiremold) in accordance to the NEC and any local codes. Mount devices to device plates as shown. Lower device plate into floor box and slide back into position. Secure device plate to floor box base with two (2) #8-32 mounting screws pre-installed in base of box.

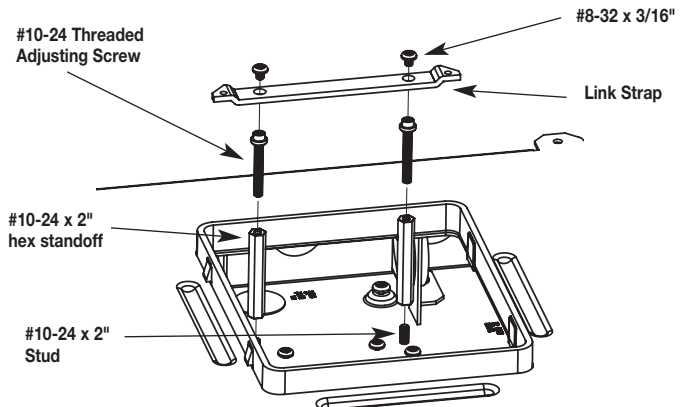


Secure the receptacle to the receptacle device plate with two (2) screws and nuts. Attach the receptacle device plate(s) to the base with the two (2) #8-32 mounting screws provided.



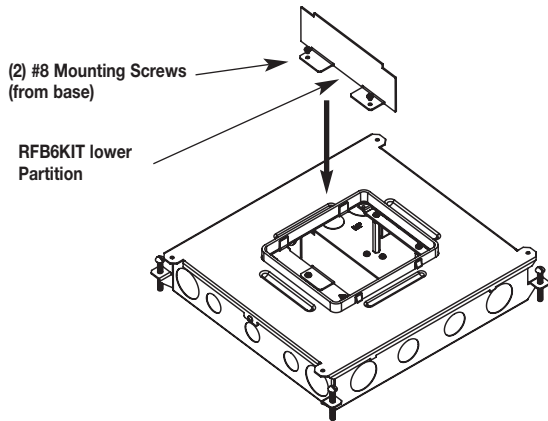
NOTE: Use insulator as shown with Cat. No. RFB6GFI.

Step 11. (RFB6 only for use with FloorPort™ Series Activations) Attach cover mounting hardware provided in hardware bag supplied with floor box. Thread #10-24 x 2 in. hex standoff onto stud projecting upward from floor box base. Insert two (2) threaded adjusting screws into standoffs and place link strap over head of threaded adjusting screws. Secure link strap to threaded adjusting screws with two (2) #8-32 x 3/16 in. screws. Complete installation of cover following directions provided with FloorPort™ Series Activation Instruction Sheet 1008150.

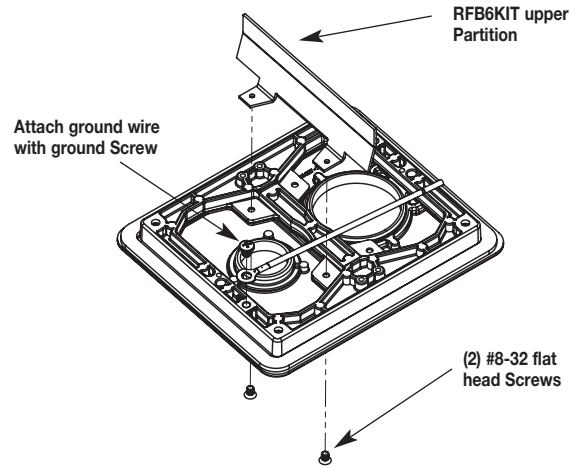


Step 12. RFB6KIT Furniture Feed Barrier Kit for use with FloorPort™
FPFF Furniture Feed Series Activations on RFB6 floor box.

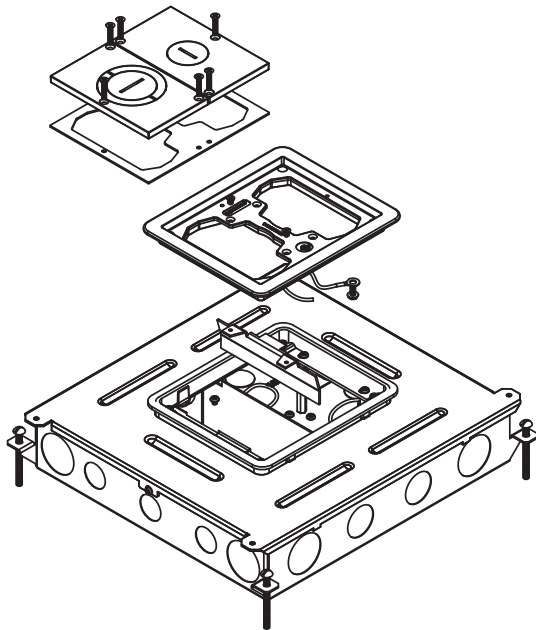
Step 12A. Insert lower barrier into floor box and fasten with two (2) #8-32 x 3/16 screws removed from base.



Step 12B. Attach upper barrier to FloorPort™ FPFF Furniture Feed Cover Flange with two (2) #8-32 screws. Secure ground wire to underside of flange.



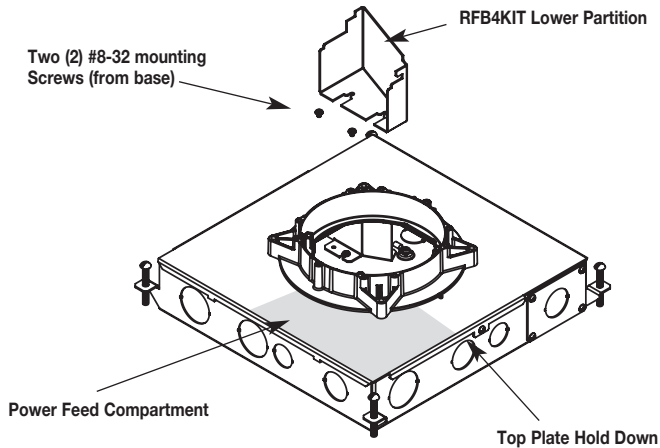
Step 12C. Complete installation following directions provided with FloorPort™ FPFF Furniture Feed Cover.



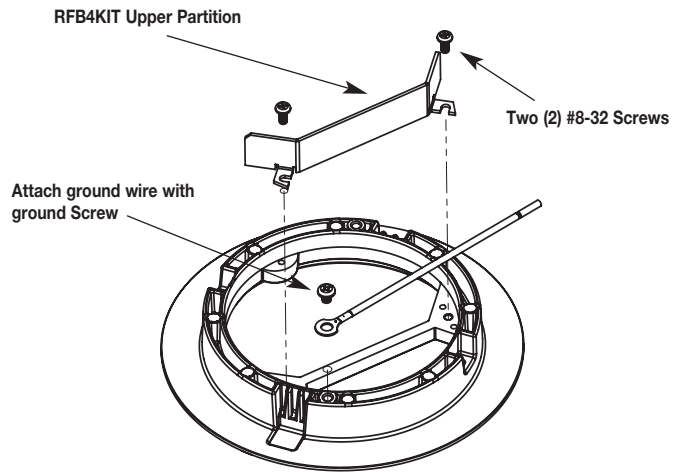
Step 13. RFB4KIT Furniture Feed Barrier Kit for use with Evolution 6CFFTC Furniture Feed Activation on RFB4E floor box.

Step 13A. Insert lower barrier into floor box and fasten with two (2) #8-32 x 3/16" screws removed from base.

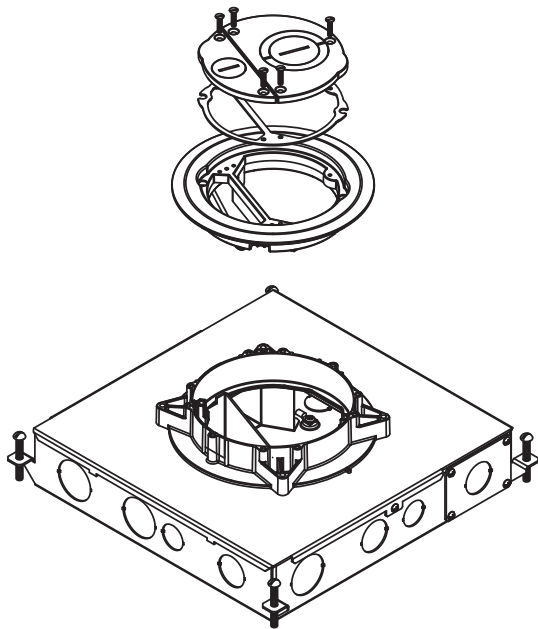
NOTE: Power feed compartment is only supplied along the side perpendicular to the top plate hold down screw.



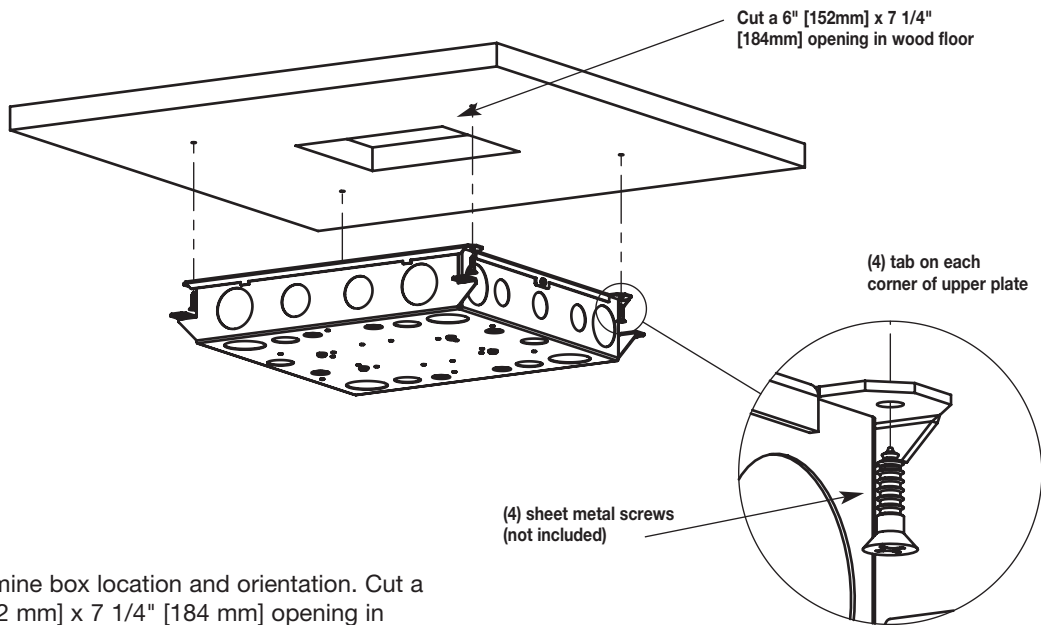
Step 13B. Attach upper barrier to 6CFFTC Furniture Feed Cover Flange with two (2) #8-32 screws. Secure ground wire to underside of flange.



Step 13C. Complete installation following directions provided with Evolution 6CFFTC Furniture Feed Activation.



Step 14. RFB6 Floor Box used in wood floors.



Determine box location and orientation. Cut a 6" [152 mm] x 7 1/4" [184 mm] opening in wood floor centered over desired location.

Align plastic trim ring on top of box with opening in floor, and secure box to underside of floor with four (4) #8 or four (4) #10 pan head sheet metal screws, (not supplied by Wiremold), through the four (4) holes provided in cover.

Continue installation following previous instructions. Complete procedure by installing a FloorPort™ Series Activation (sold separately), using the installation instructions provided with that unit.



Wiremold

WIREMOLD

U.S. and International:

60 Woodlawn Street • West Hartford, CT 06110
1-800-621-0049 • FAX 860-232-2062 • Outside U.S.: 860-233-6251

Canada:

570 Applewood Crescent • Vaughan, Ontario L4K 4B4
1-800-723-5175 • FAX 905-738-9721

