



Wiremold

## OmniBox™ Series Floor Boxes INSTALLATION INSTRUCTIONS

Installation Instruction No.: IA0030R3 – Updated June 2012

Legrand/Wiremold electrical systems conform to and should be properly grounded in compliance with requirements of the current National Electrical Code or codes administered by local authorities.

All electrical products may present a possible shock or fire hazard if improperly installed or used. Wiremold electrical products may bear the mark as UL Listed and/or Classified and should be installed in conformance with current local and/or the National Electrical Code.

**IMPORTANT: Please read all instructions before beginning.**

### Products Covered:

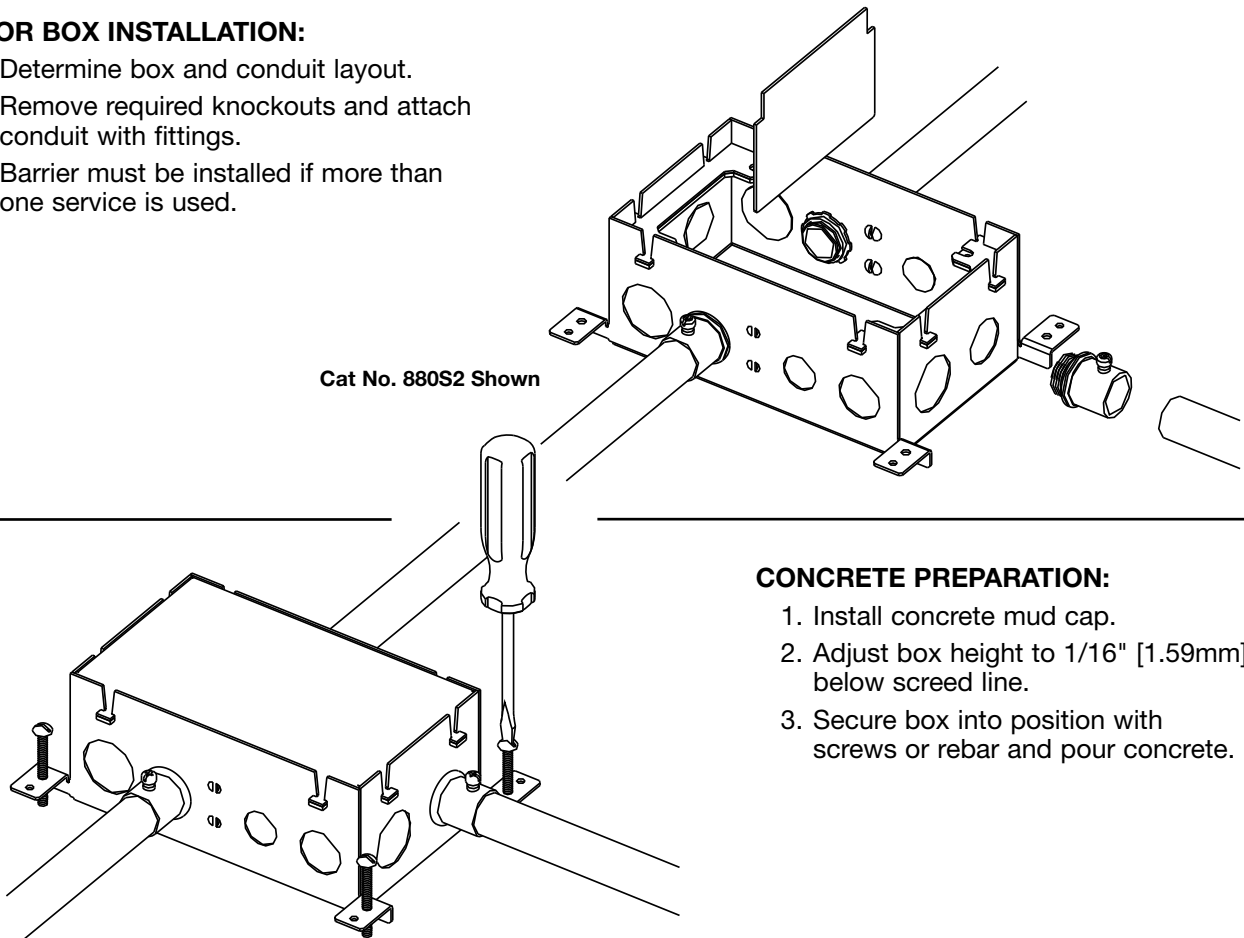
Steel Floor Boxes – 880M1, 880M2, 880M3 (Shallow), and 880S1, 880S2, 880S3 (Deep)

Cast Iron Floor Boxes – 880CM1-1, 880CM2-1, 880CM3-1 (Shallow), and 880CS1-1, 880CS1-NA, 880CS2-1, 880CS2-NA, 880CS3-1, 880CS3-NA (Deep)

### FLOOR BOX INSTALLATION:

1. Determine box and conduit layout.
2. Remove required knockouts and attach conduit with fittings.
3. Barrier must be installed if more than one service is used.

Cat No. 880S2 Shown



### CONCRETE PREPARATION:

1. Install concrete mud cap.
2. Adjust box height to 1/16" [1.59mm] below screed line.
3. Secure box into position with screws or rebar and pour concrete.



Wiremold

### WIREMOLD

#### U.S. and International:

60 Woodlawn Street • West Hartford, CT 06110  
1-800-621-0049 • FAX 860-232-2062 • Outside U.S.: 860-233-6251

#### Canada:

570 Applewood Crescent • Vaughan, Ontario L4K 4B4  
1-800-723-5175 • FAX 905-738-9721

