

WIREMOLD



880MPFC Fire Classified Floor Boxes INSTALLATION INSTRUCTIONS

Installation Instruction No.: 1 007 421 - July 2008

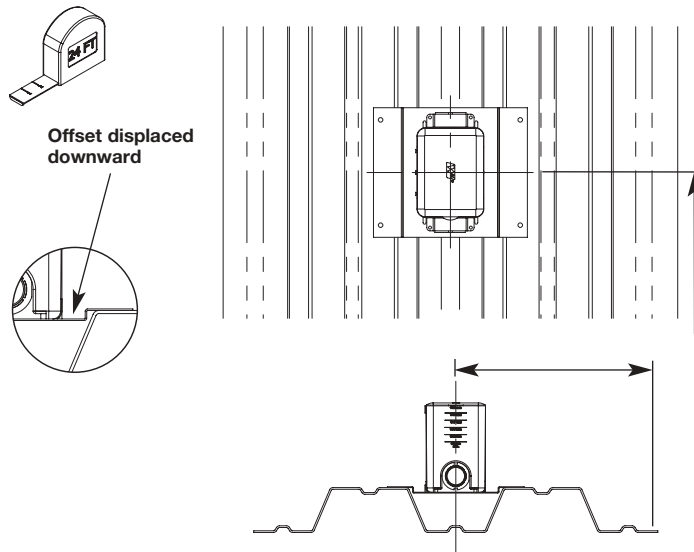
Wiremold/Legrand electrical systems conform to and should be properly grounded in compliance with requirements of the current National Electrical Code or codes administered by local authorities.

All electrical products may present a possible shock or fire hazard if improperly installed or used. Wiremold/Legrand electrical products may bear the mark as UL Listed and/or Classified and should be installed in conformance with current local and/or the National Electrical Code.

IMPORTANT: Please read all instructions before beginning.

Step 1 MEASURE AND LOCATE BOX.

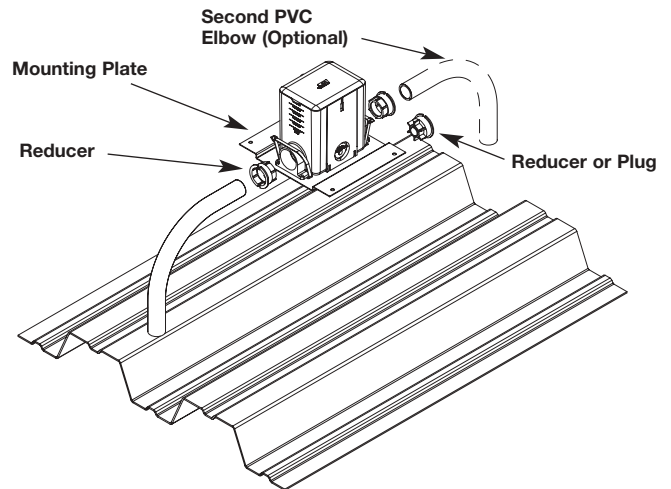
Box must be located over deck valley directly above thickest region of concrete.



NOTE: 880MPFC is a single gang offering. Can not gang Boxes together and maintain Fire Classification.

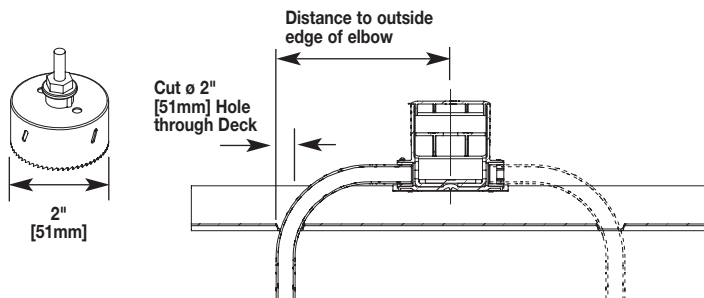
Step 2 PREASSEMBLY

Secure box to mounting plate with cable ties or wire. Loosely insert adapters and conduit elbows into box.



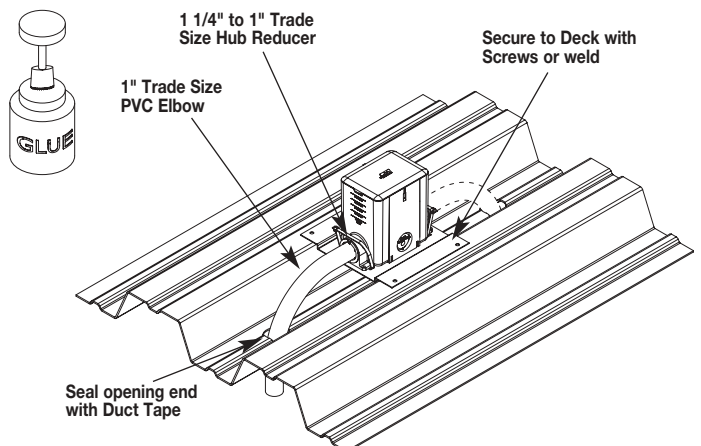
Step 3 CUT OPENINGS INTO DECK

Measure to the outside edge of the 1" trade size PVC elbow to the box centerline. Cut a 2" [51mm] tangent to this dimension. Repeat on opposite side if both PVC elbows are required.



Step 4 ATTACH MOUNTING PLATE & GLUE

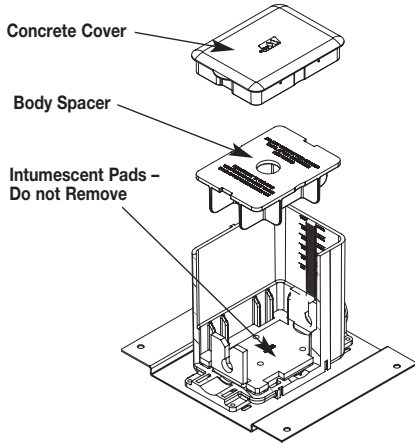
Secure mounting plate to deck by welding or screws. Glue elbow(s) and adapter(s) in place. Seal any unused hub with hub plug provided. Offset in mounting plate is positioned downward. Seal off any excessive gaps around elbows with duct tape.



NOTE: Use only 1" trade size elbow supplied.

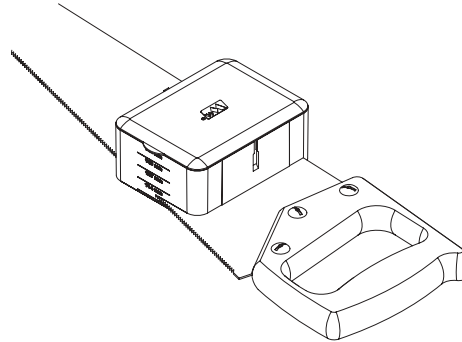
Step 5 SECURE CONCRETE COVER & POUR

Insert body spacer and concrete cover in box. Do not remove intumescent pads. Pour concrete to required height.



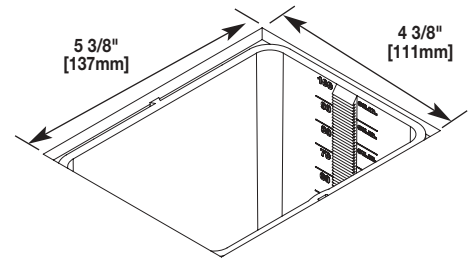
Step 6 CUT BOX TO REQUIRED HEIGHT

After concrete has cured, saw off the remainder of the box at floor level using a wood saw. If the final floor covering is a thick carpet, leave enough of the box protruding above the floor to compensate.



Step 7 CUT CARPET OR FLOOR COVERING AROUND BOX

After upper section of box is removed, cut the carpet or floor covering as indicated.

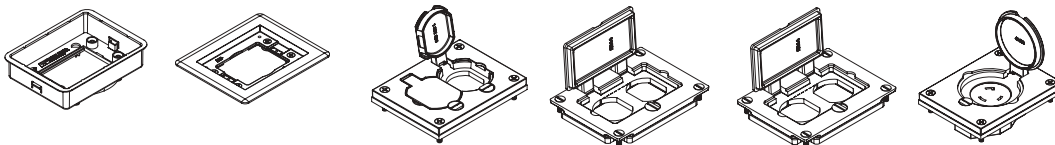


Step 8 ACTIVATION

880MPFC: Complete activation following instructions provided with Adapter (Cat. No. 880MPA), flange and cover plate. See list below for available options.

CAUTION: Wiring capacity is reduced by 9.0 cu.in. than stated by graduations on box due to intumescent pads.

880MPFC	Adapter	Carpet & Tile Flange	COVER PLATES			
			Duplex Dual Flip Lid	Duplex Rectangular Flip Lid	GFCI Rectangular Flip Lid	Round Twist Lock
Brass		817B	828R	828DPGFITC	828GFITC	828DLR
Aluminum		818TCAL	828R-TCAL	828DPGFITCAL	828GFITCAL	828DLRAL
Nonmetallic	880MPA					



Outlet Boxes and Fittings Classified for Fire Resistance Wiremold/Legrand (R8209)

Type 880MPFC outlet boxes for use with 1-, 1 1/2- or 2-hour rated unprotected reinforced concrete floors, floors employing unprotected steel floor units and concrete toppings (D900 Series Designs) or concrete floors with suspended ceilings. (Fire resistive designs with suspended ceilings should have provisions for accessibility in the ceiling area below the outlet boxes.)

The assembled outlet boxes will not reduce the ratings of the floor assembly when the thickness and type of concrete (required for specific ratings) are within the specified limits and the fittings are installed as specified.

1. Concrete – Minimum thickness of structural concrete topping of 3 1/4" [83mm] on steel deck. Unit weight of concrete to be 100 to 155 pcf.
2. Installation – Mounted on 2" or 3" [51mm or 76mm] deck. For use with up to (4) 12 AWG Type THHN power conductors or (48) 23 AWG tele/data conductors.

WIREMOLD



Wiremold / Legrand

U.S. and International:

60 Woodlawn Street • West Hartford, CT 06110

1-800-621-0049 • FAX 860-232-2062 • Outside U.S.: 860-233-6251

Canada:

570 Applewood Crescent • Vaughan, Ontario L4K 4B4

1-800-723-5175 • FAX 905-738-9721

