

Catalog Number(s): MRTC

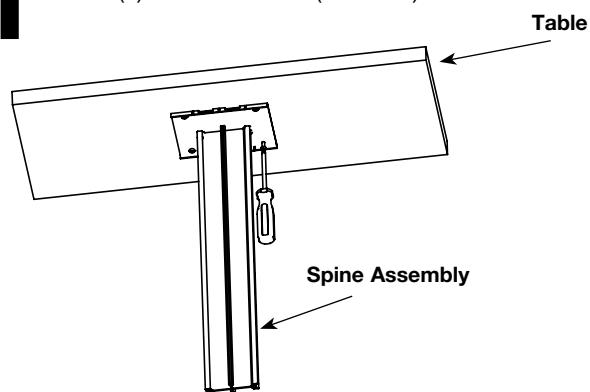
Country of Origin: Made in U.S.

• **READ ALL INSTRUCTIONS BEFORE BEGINNING**

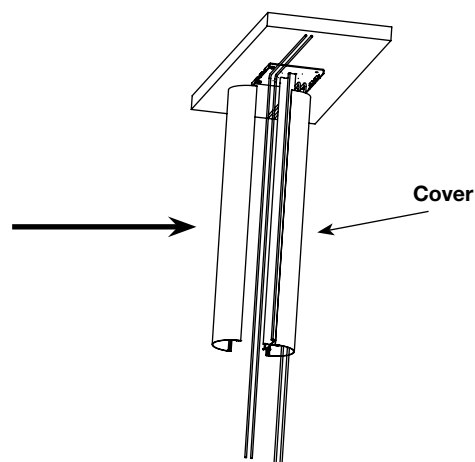
Legrand/Wiremold electrical systems conform to and should be properly grounded in compliance with requirements of the current National Electrical Code or codes administered by local authorities.

All electrical products may present a possible shock or fire hazard if improperly installed or used. Legrand/Wiremold electrical products may bear the mark of a Nationally Recognized Testing Laboratory and should be installed in conformance with current local and/or the National Electrical Code.

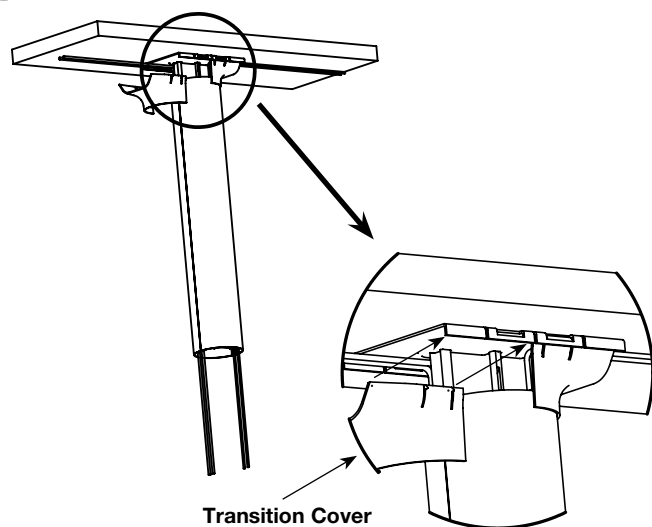
- 1** Attach spine assembly to table using four (4) #10-32 screws (included).



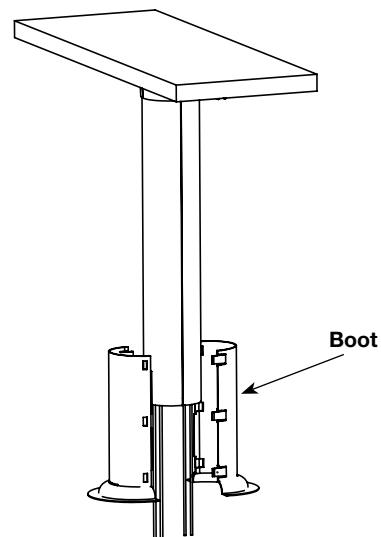
- 2** Snap covers to spine around cables.



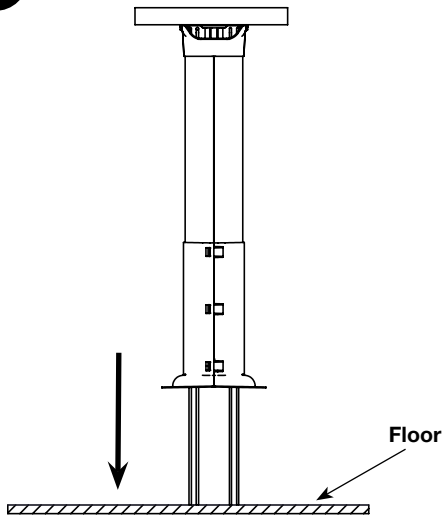
- 3** Attach transition covers.



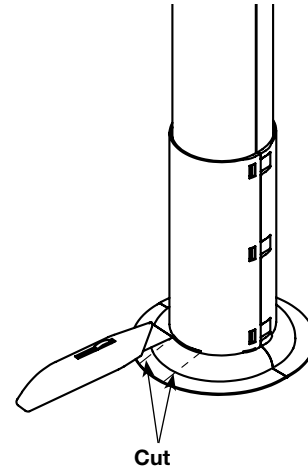
- 4** Snap boot halves together around channel.



**5** The boot slides down to the floor.



**6** To egress cables from boot, cut with utility knife on the two indicated lines.



Installation Instructions No:  
**1 010 884R1 0912**

60 Woodlawn Street  
West Hartford, CT 06110  
1.877.BY.LEGRAND (295.3472)  
www.legrand.us

570 Applewood Crescent  
Vaughan, ONT L4K 4B4  
905.738.919 5  
www.legrand.ca

**legrand®**

**Wiremold**  
60 Street  
West Hartford, CT 06110  
1.800.621.0049

