



Wiremold

## Plugmold® 2000TR Series™ Multioutlet Systems

### New Plugmold 2000 Series Tamper-Resistant – Safety for Residential Applications

Wiremold® Plugmold® 2000 Series™ Tamper-Resistant offers industry leading levels of both safety and convenience. Designed to meet the new 2008 NEC requirement 406.11 for tamper-resistant receptacles in dwelling units, Plugmold 2000 Series includes a patented internal receptacle shutter system that provides a clean and solid fit for standard three-pronged plugs and prevents the insertion of unwanted objects.

Plugmold 2000 Series Tamper Resistant will meet the demand for dwelling units that require more power and more receptacles. Each power strip has a durable finish, is available in multiple lengths, and includes up to ten tamper-resistant receptacles in standard lengths. Plugmold 2000 Series is a useful addition for workshops, garages or kitchens and the ideal choice for homes with small children.



2000 Series Plugmold installed in a residential kitchen.

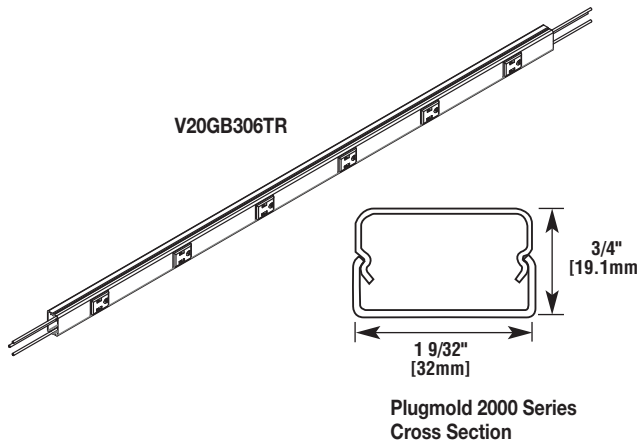
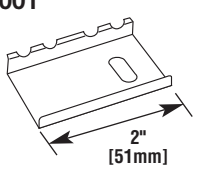
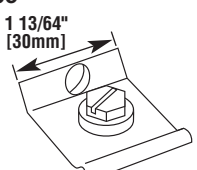
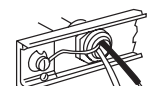
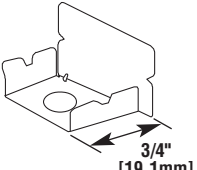
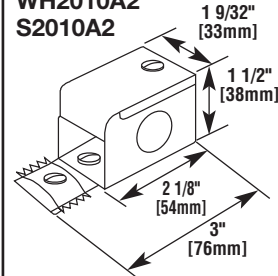
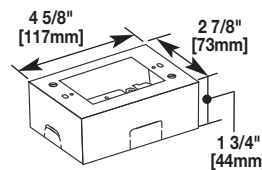
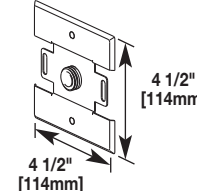
#### FEATURES & BENEFITS

- **Meets new Tamper Resistant requirements for 2008 NEC section 406.11.** Provides additional protection from burns and other injuries. Mandated for residential applications.
- **Built-in shutter system.** Prevents the insertion of unwanted objects such as hairpins, keys and nails. Providing additional protection for occupants including small children.
- **Available in 3' & 5' [914mm & 1.5m] lengths with 6" [305mm] receptacle spacing.** Provides additional power access in smaller, more confined areas. Multiple lengths present more mounting options.
- **15A Proprietary Simplex Decorator Receptacle.** Functional and aesthetically pleasing, matches any décor.
- **Steel or aluminum construction.** Superior strength for residential applications. Providing years of protection and convenience.
- **Designed for surface mounting.** Easier and more convenient installation. Eliminates the need to break through walls.
- **Multiple finishes.** Available in ivory, gray, white, black, stainless steel and anodized aluminum to accommodate a wide range of applications.
- **Multiple power feed options.** Provide clean, attractive installations with concealed power sources.
- **Custom options available.** Custom configurations and finish options are also available. Consult the factory for more information.
- **cULus Listed.**

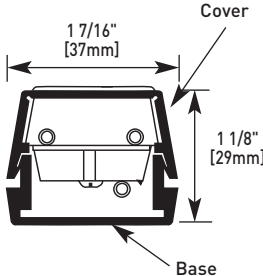
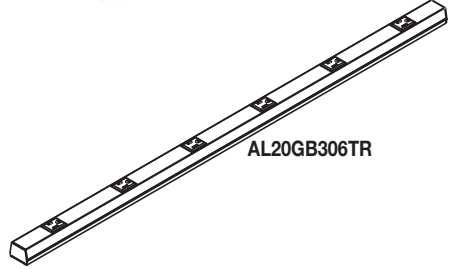
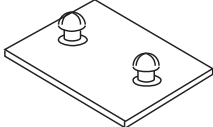
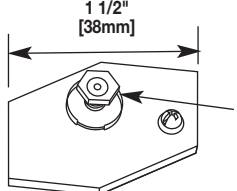
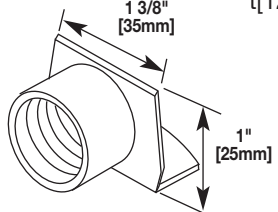
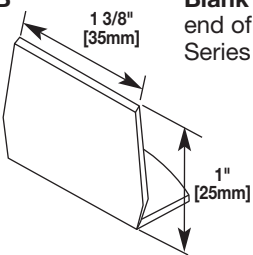
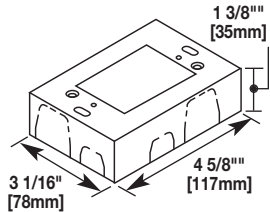
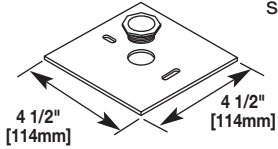
The patented internal shutter mechanism of receptacles for the Plugmold 2000 Series provides a clean and solid fit for standard three-pronged plugs, but prevents the insertion of keys, screwdrivers and other unwanted objects.



## Steel Plugmold 2000 Series Tamper-Resistant Ordering Information

Catalog No./Item	Description/Specifications
<p> <b>V20GB306TR</b>  <b>V20GB506TR</b>  <b>G20GB306TR</b>  <b>G20GB506TR</b>  <b>BK20GB306TR</b>  <b>BK20GB506TR</b>  <b>WH20GB306TR</b>  <b>WH20GB506TR</b>  <b>S20GB306TR</b>  <b>S20GB506TR</b>  <b>S20GB606TR</b> </p>	<p> <b>Tamper-Resistant Plugmold</b> – Available in 3' [914mm] and 5' [1.5m] lengths with 6" [152mm] receptacle spacing. 15A tamper-resistant receptacles. 3-wire, #12 THHN (1 hot, 1 neutral, and insulated ground conductor). .040" [1.0mm] steel housing. Packed 2 per carton. Each unit supplied with one (1) Coupling and two (2) Blank End Fittings.                 </p>  <p style="text-align: center;">V20GB306TR</p> <p style="text-align: center;">Plugmold 2000 Series Cross Section</p>
<p>2001</p> 	<p> <b>Coupling</b> – Joins lengths of Plugmold 2000 Series together.                 </p>
<p>2009</p>  	<p> <b>Ground Clamp</b> – Connects equipment grounding conductor to Plugmold 2000 Series.                 </p> <p style="text-align: center;">How 2009 is used.</p>
<p> <b>V2010B</b>  <b>G2010B</b>  <b>BK2010B</b>  <b>WH2010B</b>  <b>S2010B</b> </p> 	<p> <b>Blank End Fitting</b> – Closes off open end of sections of 2000 Series Plugmold.                 </p>
<p> <b>V2010A2</b>  <b>G2010A2</b>  <b>BK2010A2</b>  <b>WH2010A2</b>  <b>S2010A2</b> </p> 	<p> <b>Entrance End Fitting</b> – Connects 2000 Series Plugmold with 1/2" trade size conduit and armored cable connectors. 1/2" trade size KOs on end, each side and bottom. Includes ground screw.                 </p>
<p> <b>V2048</b>  <b>G2048</b>  <b>BK2048</b>  <b>WH2048</b>  <b>S2048</b> </p> 	<p> <b>Device Box</b> – One-gang device box. Cover has one twistout for 2000 Series Plugmold on two sides and one twistout for 500® and 700® Series Raceway on the top and bottom. Base includes knockout to enable extension from existing single-gang flush wall box and 1/2" trade size KOs. Accepts industry standard faceplates for electrical and communication devices.                 </p>
<p> <b>V2051H</b>  <b>G2051H</b>  <b>BK2051H</b>  <b>WH2051H</b>  <b>S2051H</b> </p> 	<p> <b>Back Feed Fitting</b> – Feeds 2000 Series Plugmold from an existing outlet box. Equipped with 1/2" trade size male bushing and lock nut washer for grounding.                 </p>

## Aluminum Plugmold 2000 Series Tamper-Resistant Ordering Information

Catalog No./Item	Description/Specifications
<p><b>AL20GB306TR</b> <b>AL20GB506TR</b></p> 	<p><b>Tamper-Resistant Plugmold –</b> Available in 3' [914mm] and 5' [1.5m] lengths with 6" [152mm] receptacle spacing. 15A tamper-resistant receptacles. 3-wire, #12 THHN (1 hot, 1 neutral, and insulated ground conductor). .060" [1.5mm] 6063-T5 extruded aluminum housing with satin anodized finish. Packed 2 per carton. Each unit supplied with one (1) Coupling and two (2) Blank End Fittings.</p> 
<p><b>AL2001</b></p> 	<p><b>Slide Coupling –</b> Connects adjoining sections of AL2000 Series Raceway base .</p>
<p><b>AL2009</b></p> 	<p><b>Ground Clamp (Galvanized Steel) –</b> Connects equipment grounding conductor to provide additional ground to raceway.</p>
<p><b>AL2010A</b></p> 	<p><b>Feed Fitting –</b> End fitting with 1/2" t[12.7mm] hub adapter.</p>
<p><b>AL2010B</b></p> 	<p><b>Blank End Fitting –</b> Closes off end of sections of AL2000 Series Raceway.</p>
<p><b>AL2047</b></p> 	<p><b>Shallow Switch &amp; Receptacle Box –</b> Designed for standard shallow switches and receptacles. Base has open back plate for mounting to existing wall box and solid back plate insert with 1/2" and 3/4" trade size KOs to close opening. Not for use with AL2400 Series Raceway.</p>
<p><b>AL2051H</b></p> 	<p><b>Box Adapter –</b> Used to feed raceway from existing wall outlet box. Accepts up to 5/8" trade size conduit.</p>



Wiremold

**WIREMOLD**

**U.S. and International:**

60 Woodlawn Street • West Hartford, CT 06110  
1-800-621-0049 • FAX 860-232-2062 • Outside U.S. 860-233-6251

**Canada:**

570 Applewood Crescent • Vaughan, Ontario L4K 4B4  
1-800-723-5175 • FAX 905-738-9721

