



Wiremold

# Vista™ Point5 Architectural Column

## Bring Technology to the Workgroup




**Wiremold®** Vista Point5 Architectural Columns provide power, voice, data and audio/visual connections without disrupting conference spaces. The patented design provides channels for concealing wiring required for multiple services through a single access point.

Mounted on the floor, Vista Point5 Columns can nestle into the center of a contemporary conference table or double as one of the support legs. The unobtrusive design allows the table to remain open for paperwork and presentation materials. Clear access to outlets and jacks keeps the floor free from running cords and cables. And, Vista Point5 Columns offer easy communications connections for up to eight users. Make the most of any meeting space with a Vista Point5 Architectural Column.



A Vista Point 5 Architectural Column installed as a table leg in a conference room.

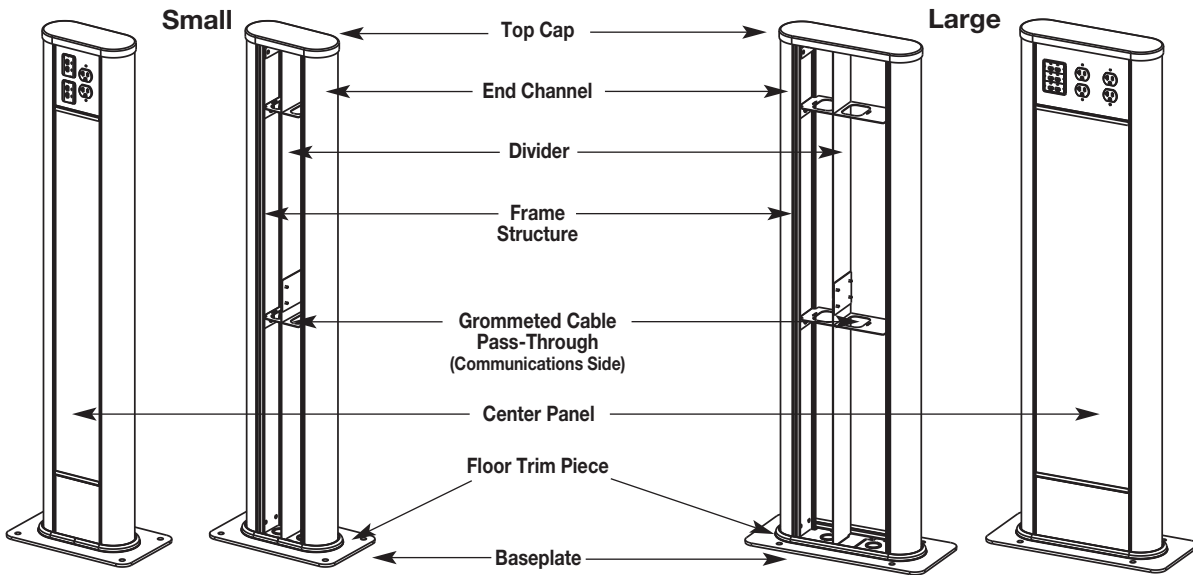
### FEATURES & BENEFITS

- **Flexibility.** Choose from a range of center panels to accommodate your aesthetic and capacity requirements.
- **Height options.** Choice of heights to accommodate different work surface heights.
- **Vertical barrier.** This internal barrier permits electrical and communications devices to be installed next to each other without interference.
- **Finishing cap.** The top cap is constructed of heavy duty, 3/4" [19mm] thick aluminum.
- **Sturdy.** Vista Point 5 exceeds UL's Office Furnishings 1286 Stability test for force and impact.
- **A/V compatibility.** Accepts Extron® Electronics, Crestron® and Ortronics® audio/video devices. 
- **Device Compatibility.** Compatible with a wide range of standard power and communications devices.
- **In-stock availability.** Small and large profile columns, 36" [914mm] high, with round end channels are in-stock for immediate delivery.
- **cULus Listed Multioutlet Assemblies.** File E15191, Guide PVGT. Meets Article 380 of NEC.



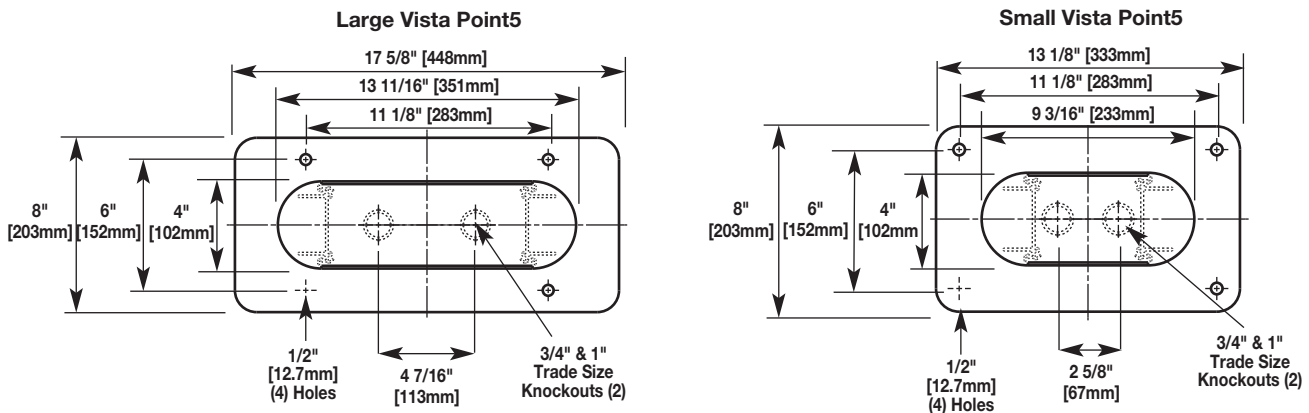
Vista Point5 Columns make accessing power, A/V, communication and low voltage a breeze.

## Vista Point5 Architectural Column System Layout

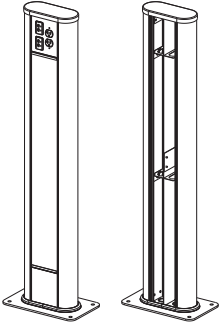


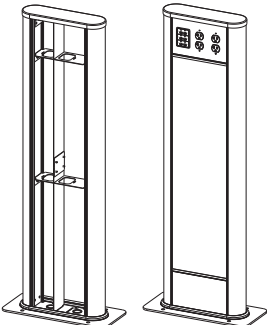
**NOTE:** This system is divided vertically to allow for electrical, A/V devices and communications jacks next to each other for user convenience.

## Vista Point5 Architectural Column Overall Dimensions

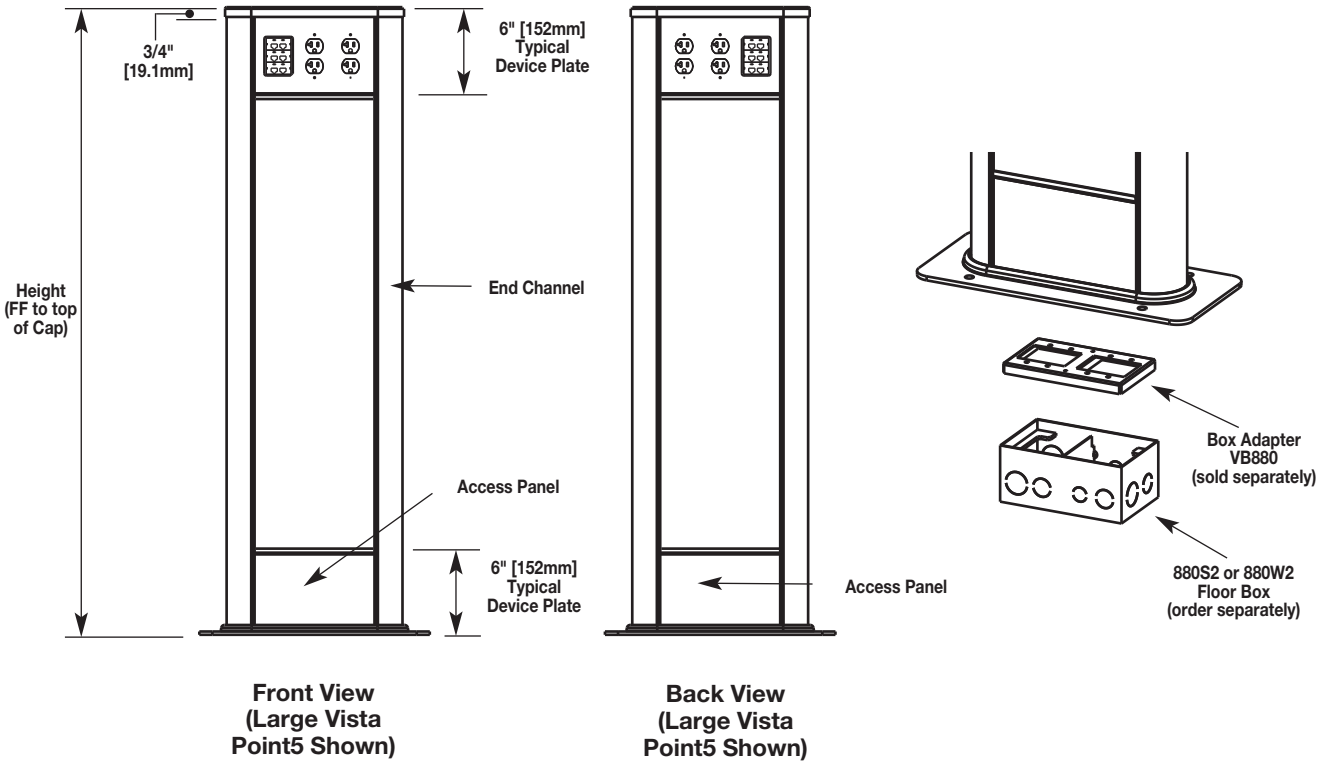


## Vista Point5 Architectural Column In-Stock Columns

Item	Description/Specifications
<p><b>VSP5662345</b></p> 	<p><b>Small Profile In-Stock Point5 Column</b> – Small profile 36" [914mm] high column. Anodized aluminum frame with round end channels. Includes four adapters for Pass &amp; Seymour® Activate inserts, Wiremold CM Series Open System communication modules, or Ortronics® TracJack or Series II devices. Includes two 20A duplex receptacles located 32 1/2" [819mm] above floor.</p>

Item	Description/Specifications
<p><b>VLP5662345</b></p> 	<p><b>Large Profile In-Stock Point5 Column</b> – Large profile 36" [914mm] high column. Anodized aluminum frame with round end channels. Includes two adapters for Pass &amp; Seymour® Activate inserts, Wiremold CM Series Open System communication modules, or Ortronics® TracJack or Series II devices. Includes two 20A duplex receptacles located 32 1/2" [819mm] above floor.</p>

## Vista Point5 Architectural Column Component Data



## Vista Point5 Architectural Column Frame Options Ordering Information

<b>VF</b>		<b>66</b>				
<b>Prefix:</b>	<b>Size:</b>	<b>End Channel:</b>	<b>End Channel Color:</b>	<b>Style:</b>	<b>Device/Adapter Color:</b>	<b>Height:</b>
Frame = <b>VF</b>	Small = <b>S</b> Large = <b>L</b>	Round = <b>66</b>			Light Gray = <b>GY</b> White = <b>WH</b> Ivory/Light Almond = <b>IV</b> Black = <b>BK</b> No Device/Adapters = <b>ZZ</b>	24" [607mm] from finished floor = <b>24</b> Up to 84" [2134mm] from finished floor = <b>84</b>

COLOR - REFERENCE	CODE
White	= 3333
Black	= 9999
Ivory	= 5555
No Color - Anodized Aluminum	= 2345
Warm White - Steelcase 4700	= 3136
Moss - Steelcase 4722	= 5169
Lt. Tone - Herman Miller LT	= 2486
Mist - Steelcase 4606	= 5895
GSA Lt. Blue - GSA 25183	= 5911
Woodrose - Steelcase 4601	= 6137
Slate - Steelcase 4726	= 6142
Light Blue - Shaw Walker A751	= 1988
Greytone - Haworth - G	= 2884

Ortronics® Series II and TracJack Devices = **RT**

Pass & Seymour® Activate™ and Wiremold Open System Communications Devices = **CM**

RT and CM options include two plates each containing one small or two large electrical device plate with spec grade duplex receptacle(s), single 120V circuit and communications opening with adapter installed. These plates are back to back

The bottom of the plates are located at 6 3/4" [171mm] from the top of the unit.

**NOTE:** Send in a color chip. Most colors can be matched.

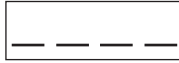
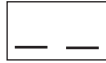
**For more system options, contact your Wiremold sales representative.**

---

**Design your own Vista Architectural Column online at**  
[www.wiremold.com/vista](http://www.wiremold.com/vista)

Continue on to the next page to design the Center Panel.

## Vista Point5 Architectural Column Center Panel Options Ordering Information



**Prefix:**      **Size:**      **Overall Column Height:**      **Panel Finish:**

Frame = **VP**      Small = **S**      24" [607mm] from finished floor = **24**  
 Large = **L**      Up to 84" [2134mm] from finished floor = **84**

COLOR - REFERENCE	CODE	COLOR - REFERENCE	CODE
<b>Aluminum:</b>		<b>Metal Laminate:</b>	
White	= 3333	Vertical Corrugated Matte Aluminum	= 4748
Black	= 9999	Ragged Copper	= 1999
Ivory	= 5555	Mirror Aluminum	= 2021
No Color - Anodized Aluminum	= 2345	Matte Footplate	= 2046
Warm White - Steelcase 4700	= 3136	Light Hammer Copper	= 2121
Moss - Steelcase 4722	= 5169	Double Brushed Aluminum	= 2171
Lt. Tone - Herman Miller LT	= 2486		
Mist - Steelcase 4606	= 5895	<b>Fabric:</b>	
GSA Lt. Blue - GSA 25183	= 5911	Quartz	= 3805
Woodrose - Steelcase 4601	= 6137	Lavender Natural	= 4055
Slate - Steelcase 4726	= 6142	Blue Neutral	= 4105
Light Blue - Shaw Walker A751	= 1988	Wedgewood	= 1505
Greystone - Haworth - G	= 2884	Grey Mix	= 2385
		Lake	= 0995
<b>Woodgrain Laminate:</b>		Malibu	= 0375
Medium Cherry	= 4407	Globe	= 0245
Mahogany	= 4410	Flax	= 0615
Maple	= 4401	Daylight Blue	= 0305
Antique Cherry	= 4408		
Fruitwood	= 4406		
Natural Allegro Coord.	= 4451		
Copper Bubinga	= 4456		
Natural Birdseye	= 4411		
Honey Birdseye	= 4413		
Classic Cherry Frise	= 4467		

**NOTE: Send in a color chip. Most colors can be matched.**

### Device Plate Part Number Ordering Information



Base:	Plate Color:	Device/Adapter Color:	Orientation:
Enter Catalog Number from above choices	Refer to color list above, enter 4-digit code	Light Gray = <b>GY</b> White = <b>WH</b> Ivory/ Light Almond = <b>IV</b> Black = <b>BK</b> No Device/ Adapter = <b>ZZ</b>	Left = <b>L</b> Right = <b>R</b>

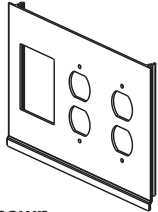
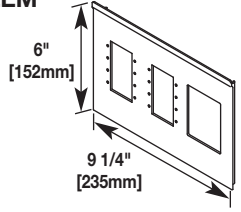
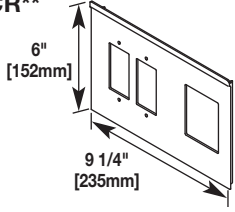
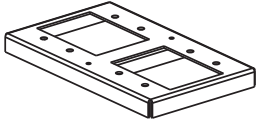
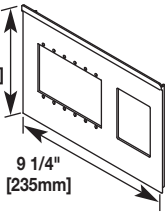


**For more system options,  
contact your Wiremold  
sales representative.**


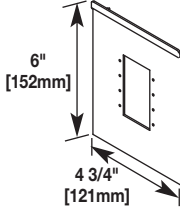
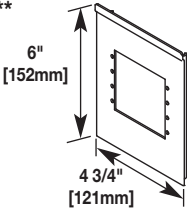
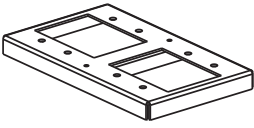
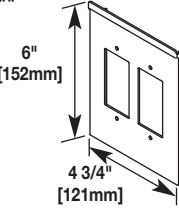


**Design your own  
Vista Architectural Column  
online at  
[www.wiremold.com/vista](http://www.wiremold.com/vista)**

## Vista Point5 Architectural Column Add-On Plates for Large Frame

Catalog No./Item	Description/Specifications	Catalog No./Item	Description/Specifications
<b>VL2A</b>  <i>Right Shown</i>	<b>Device Cover</b> – Has two cutouts for duplex receptacles and one adapter for Pass & Seymour® Activate inserts, Wiremold CM Series Open Systems communication modules, and Ortronics® Series II or TracJack devices.	<b>VLEM**</b> 	<b>AV Device Cover</b> – Has openings for eight (8) Extron® Electronics MAAP modules and one mini adapter (included). Standard color/material is anodized aluminum or black.
<b>VLCR**</b> 	<b>AV Device Cover</b> – Has openings for one (1) two-gang or two (2) single-gang Crestron® Quick Media wall plate(s) and one mini adapter (included). Standard color/material is anodized aluminum or black.	<b>VB880</b> 	<b>Adapter Plate</b> – Adapts Vista Point5 to 880 Series Floor Boxes.
<b>VLEA**</b> 	<b>AV Device Cover</b> – Has openings for six (6) Extron® Electronics AAP modules and one mini adapter (included). Standard color/material is anodized aluminum or black.	<p>* Refer to the list of colors on page 4 for the four-digit code number.            * Add "C" prefix to catalog number to denote Canadian version – Agency approved for sale in Canada. (UL)            ** Products are ETL Listed.</p>	

## Vista Point5 Architectural Column Add-On Plates for Small Frame

Catalog No./Item	Description/Specifications	Catalog No./Item	Description/Specifications
<b>VS1A</b>  <i>Right Shown</i>	<b>Device Cover</b> – Has one cutout for duplex receptacle and two adapters for Pass & Seymour® Activate inserts, Wiremold CM Series Open Systems communication modules, and Ortronics® Series II or TracJack devices.	<b>VSEM**</b> 	<b>AV Device Plate</b> – Has openings for four (4) Extron® Electronics MAAP modules. Standard color/material is anodized aluminum or black.
<b>VSEA**</b> 	<b>AV Device Plate</b> – Has openings for four (4) Extron® Electronics AAP modules. Standard color/material is anodized aluminum or black.	<b>VB880</b> 	<b>Adapter Plate</b> – Adapts Vista Point5 to Walker 880 Series Floor Boxes.
<b>VSCR**</b> 	<b>AV Device Plate</b> – Has openings for one (1) two-gang or two (2) single-gang Crestron® Quick Media wall plate(s). Standard color/material is anodized aluminum or black.	<p>* Refer to the list of colors on page 4 for the four-digit code number.            * Add "C" prefix to catalog number to denote Canadian version – Agency approved for sale in Canada. (UL)            ** Products are ETL Listed.</p>	

## Vista Point5 Architectural Column Wire Fill Capacity Charts

### Vista Point5 Wire Fill Capacity for Communication

	CABLE/WIRE SIZE	O.D.		CENTER CHANNEL
		Inches	[mm]	
UNSHIELDED TWISTED PAIR	2-pair, 24 AWG, Cat 3	0.140	[3.6]	40
	3-pair, 24 AWG Cat 3	0.150	[3.8]	34
	4-pair, 24 AWG Cat 3	0.190	[4.8]	22
	25-pair, 24 AWG Cat 3	0.410	[10.4]	4
	4-pair, 24 AWG Cat 5e	0.220	[5.6]	16
	4-pair, 24 AWG Cat 6	0.250	[6.3]	12
SHIELDED TWISTED PAIR	Type1, 22 AWG	0.390	[9.9]	4
	Type 2, 22 AWG	0.465	[11.8]	2
	Type 3, 24 AWG	0.245	[6.2]	12
COAXIAL	RG58/U, 20 AWG	0.195	[5.0]	20
	RG58/U, 22 AWG	0.242	[6.1]	12
	RG6/U, 22 AWG	0.242	[6.1]	12
	RG6/U, 18 AWG	0.270	[6.9]	10
TWINAXIAL	100 Ohm	0.330	[8.4]	60
FIBER OPTIC		0.180	[4.6]	22

\* Capacity range is calculated at 40% of raceway area as stated in a proposed revisions to the Commercial Building Standard for Telecommunication Pathways & Spaces, EIA/TIA-569. Actual wire fill capacity may vary based on applications, cable types, and number, as well as type of fittings. (Fittings may cause additional variances to the fill capacity.)

### Vista Point5 Wire Fill Capacity for Power

Capacity of Compartment	WIRE SIZE THHN/THWN				
	6 AWG	8 AWG	10 AWG	12 AWG	14 AWG
Center Channel	14	18	32	52	70



## DATACOM CONNECTIVITY OPTIONS

Now you have a wide range of options for providing datacom connectivity into Wiremold/Legrand Pathways. They are:

- **Ortronics® TracJack® and Series II Modular Connectivity Solutions**
- **Pass & Seymour Activate™ Modular Inserts**
- **Open System Communication Modules**

### Ortronics® Connectivity

#### TracJack® Individual Jack System

- Front-loading, snap-in design supports future moves adds and changes
- Inserts for voice, data, audio, and video
- Available Category 3, 5e, 6, USOC 6-position, and other media
- Flat or angled 45° exit configurations
- Choice of 13 colors and color matched to Wiremold Systems
- Universal T568A/B wiring format



#### Series II Front-Loading, Module System

- Module design features easy snap-in front-loading design
- Linear 110 punch down format for easy termination
- Inserts for voice, data, audio, and video
- Available Category 3, 5e, 6, USOC 6-position, and other media
- Available in flat or angled 45° exit configurations
- Color matched to Wiremold Systems

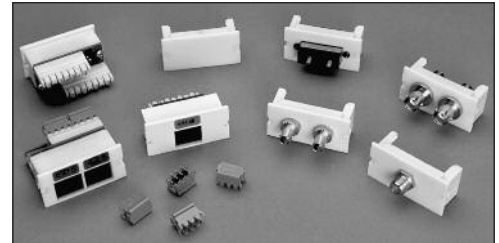


For detailed product selection refer to the **Ortronics Catalog** or visit [www.ortronics.com](http://www.ortronics.com).

### Pass & Seymour Legrand Network Wiring

#### Activate™ Series Front-Loading Inserts

- Modular inserts for voice, data, audio and video applications
- Front-load, snap-in design
- Color and texture matched to Wiremold Systems
- Available Category 3, 5e, 6, as well as 6-position USOC
- Universal T568A/B wiring format

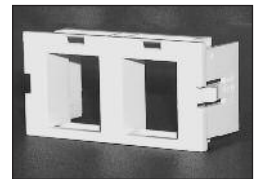


For detailed product selection refer to the **Pass & Seymour Network Wiring Catalog** or visit [www.passandseymour.com](http://www.passandseymour.com).

### Open Connectivity Solutions

#### Wiremold Open System Communications Modules

- Accommodate a wide range of manufacturers' communications outlets including keystone jacks, as well as proprietary solutions from Avaya (Systimax) and NORDX
- Modules insert into a wide range of Wiremold Systems
- Pre-punched faceplates accept common communication devices



**NOTE:** For more information on integrating connectivity into Wiremold Cable Management Systems contact the Wiremold Applications Engineering Team or your local Wiremold Sales Representative.



Wiremold

#### WIREMOLD

##### U.S. and International:

60 Woodlawn Street • West Hartford, CT 06110  
1-800-621-0049 • FAX 860-232-2062 • Outside U.S. 860-233-6251

##### Canada:

570 Applewood Crescent • Vaughan, Ontario L4K 4B4  
1-800-723-5175 • FAX 905-738-9721

ED1250R3 – Updated September 2009 – For latest specs visit [www.wiremold.com](http://www.wiremold.com)

