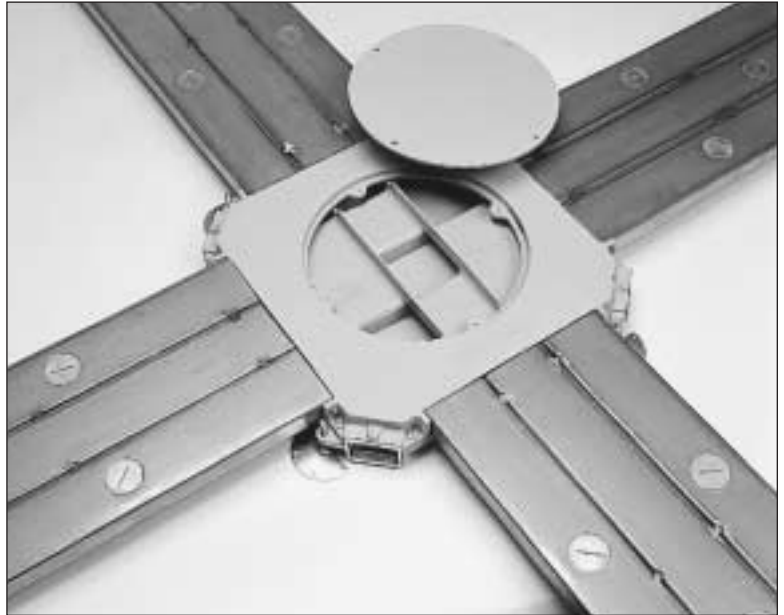


Flushduct Raceway, Fittings, and Activations

The Walker Flushduct System provides wire management in open space environments and is ideal for renovations to existing facilities. Because the system is in the floor and out of sight, it provides an uncluttered, aesthetically pleasing means to wire open space areas. The Flushduct System is installed flush with the floor and provides easy access for wiring and activating the system. Flushduct can be the solution to new occupants of a building with inadequate wire management. The system provides future flexibility in either new or existing buildings. Duct and accessories are UL Listed to U.S. and Canadian safety standards. Activations may be installed anywhere along the length of the duct to maximize flexibility and accessibility at workstations.

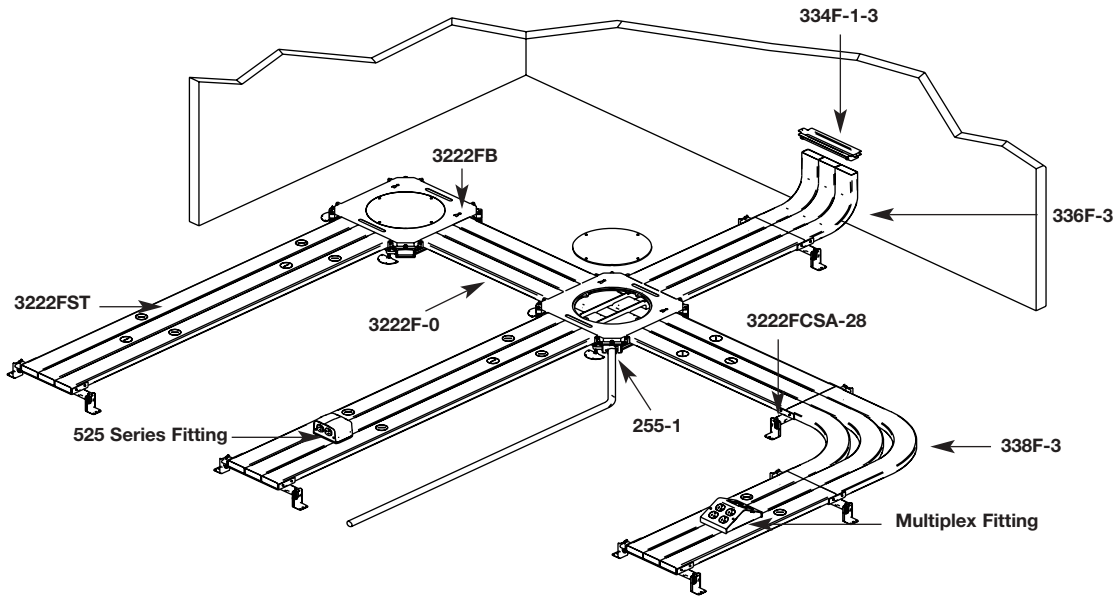


3222FST Flushduct System Duct and Junction Box.

Features & Benefits

- **One-, two-, or three-duct combinations.** System can be configured to match communication and electrical requirements.
- **Feed and distribution ducts are located flush with the finished floor.** Simplifies locating and accessing the duct.
- **Easy access into duct through factory installed screw plugs.** Provide easy activation and deactivation. A variety of pedestal activations are available.
- **1 3/8" [35mm] minimum system depth.** Permits installation in shallow concrete pours.
- **Trenchduct feed maximizes capacity.** Match feeder size to the building's future requirements.
- **Provides infloor solution for building renovations.** Flushduct offers future versatility for power and communication needs.

Flushduct Installation Layout



Flushduct Raceway

Catalog No./Item	Description/Specifications
12F-0 222F-0 3222F-0	<p>Single Duct Double Duct Triple Duct</p> <p>Blank Duct – For feeder runs with precise placement of openings. Double and Triple Duct Systems are welded together. 10' [3.048m] standard length.</p>

Catalog No./Item	Description/Specifications
12FST 222FST 3222FST	<p>Single Duct Double Duct Triple Duct</p> <p>Ducts – Provided with 1 5/8" [41mm] diameter threaded openings and removable plugs for service fitting attachment. Openings are staggered 24" [609.6mm] to facilitate placement of service fittings. 10' [3.048m] standard length.</p>

Couplings and Supports

Catalog No./Item	Description/Specifications
12FC 222FC 3222FC	<p>Single Duct Double Duct Triple Duct</p> <p>Couplings – Used to couple ends of duct together. Set screws used to hold duct in place.</p>

Catalog No./Item	Description/Specifications
12FCS 222FCS 3222FCS	<p>Single Duct Double Duct Triple Duct</p> <p>Couplings/Supports – Provides 1" [25mm] vertical adjustment and couples ends of duct together. Recommend at 5' [1.524m] intervals.</p>

Flushduct Fittings

Catalog No./Item **Description/Specifications**

12F-WS Single Duct
222F-WS Double Duct
3222F-WS Triple Duct

Blank Washer – For closing off unused junction box opening. "A" dimension is 3 3/16" [81mm] for 12F-WS, 6 5/16" [160mm] for 222F-WS, and 9 7/16" [240mm] for 3222F-WS.

334UF Single Duct
334F-1-2 Double Duct
334F-1-3 Triple Duct

Terminal Bushing – For securing Flushduct to cabinet. "A" dimension is 4 1/8" [105mm] for 334UF, 7 5/8" [194mm] for 334F-1-2, and 11 11/16" [281mm] for 334F-1-3.

304

End Cap – To close off end of duct.

255-3/4 [19.1mm]
-1 [25mm]
-11/4 [32mm]
-11/2 [38mm]
-2 [51mm]

Box Conduit Corner Adapter – For one conduit. Suffix denotes conduit trade size.

Catalog No.	"A" Dimension Inches	"A" Dimension [mm]
255-3/4	1 7/8	[48mm]
255-1	1 7/8	[48mm]
255-1 1/4	2 1/4	[57mm]
255-1 1/2	2 1/4	[57mm]
255-2	2 3/4	[70mm]

312F-1 [25mm]
312F-11/4 [32mm]
312F-11/2 [38mm]

Conduit Adapter – Used to feed single conduit into end of duct. Suffix denotes trade size.

Catalog No.	"A" Dimension Inches	"A" Dimension [mm]	"B" Dimension Inches	"B" Dimension [mm]
312F-1	1 3/8	[35mm]	2 1/4	[57mm]
312F-1 1/4	1 11/16	[43mm]	2 7/16	[62mm]
312F-1 1/2	2	[51mm]	2 3/4	[70mm]

324-3/4

Male Conduit Adapter – Fits into end of No. 2 duct. For two 3/4" trade size conduits.

332F Single Duct
332F-2 Double Duct

Vertical 90° Elbow – For extending Flushduct up wall. 1 1/2" [38mm] bend radii.

Catalog No./Item **Description/Specifications**

336F Single Duct
336F-2 Double Duct
336F-3 Triple Duct

Vertical 90° Elbow – For extending Flushduct up wall. 4" [102mm] bend radii.

338UF Single Duct
338F-2 Double Duct
338F-3 Triple Duct

Horizontal 90° Elbow – For turning corner with duct.

342F Single Duct
342F-2 Double Duct
342F-3 Triple Duct

Horizontal 45° Elbow – For turning corner with duct.

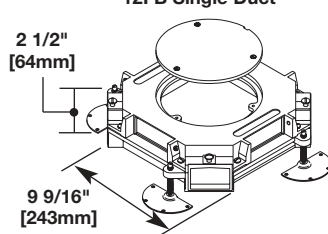
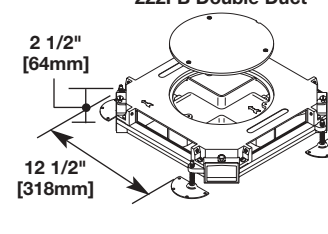
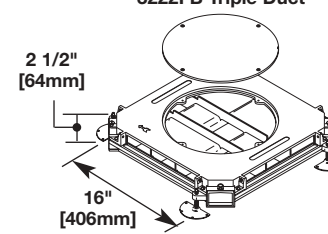
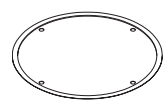
362F Single Duct
362F-2 Double Duct
362F-3 Triple Duct

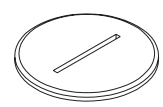
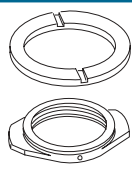
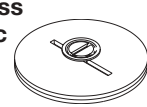


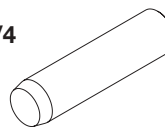

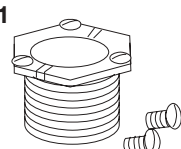
Vertical Offset – to accommodate 1 3/8" [35mm] change in system depth.

372F

Vertical Offset – to accommodate 1 3/8" [35mm] change in system depth.

Flushduct Junction Boxes

Catalog No./Item	Description/Specifications
12FB Single Duct 222FB Double Duct 3222FB Triple Duct	<p>Junction Box – Used at duct intersections. Provide access to system for pulling and splicing of wires. Constructed of cast iron. Interiors of two- and three-duct boxes have partitions isolating each duct and forming a continuous raceway through the box. Conduit openings located at each corner of box.</p> <div style="display: flex; justify-content: space-around; align-items: flex-start;"> <div style="text-align: center;"> <p>12FB Single Duct</p>  </div> <div style="text-align: center;"> <p>222FB Double Duct</p>  </div> <div style="text-align: center;"> <p>3222FB Triple Duct</p>  </div> </div>
6LHX-* For 12FB Junction Box 7LHX-* For 222FB Junction Box 10LHX-* For 3222FB Junction Box	<p>Carpet or Tile Holder – Flanged stainless steel or brass holders recessed to hold carpet or tile.</p> <div style="text-align: center;">  </div> <p style="text-align: right;">NOTE: X= S for Steel or B for Brass. * Specify 1/8 or 1/4.</p>

Afterset and Finishing Components					
Catalog No./Item	Description/Specifications	Catalog No./Item	Description/Specifications		
544021 544022	<p>Screw Plugs – For threaded openings in Flushduct. 544022 (1 5/8" [41mm]) supports current FST System. 544021 (1 1/4" [32mm]) supports previous (now obsolete F Flushduct System).</p>		455F-3/4 455F-1	<p>Threaded Outlet Flange – For locking nipple or standpipe. 455F-3/4 is 3/4" [19.1mm] and 455F-1 is 1" [25mm].</p>	
7140F Brass 7141F Zinc	<p>Marker Screw Plug – For 1 5/8" [41mm] threaded openings in Flushduct. Used to designate service in each duct.</p>		455FP-3/4 455FP-1	<p>Die-Cast Plug – Threads into 455F Outlet Flange. Use 455FP-3/4 with 455F-3/4 and 455FP-1 with 455F-1.</p>	
450F-1 450F-11/4	<p>Brass Ferrule – Used to create access into duct at a custom location. With internal threads for 1" [25mm] or 1 1/4" [32mm] nipple or standpipe. To install in Flushduct, field cut 1 1/2" [38mm] hole for 1" [25mm] ferrule (450F-1) or 1 7/8" [48mm] hole for 1 1/4" [32mm] (450F-1 1/4) ferrule.</p>		470F-1 470F-11/4	<p>Crimping Tool – Used to install 450F Brass Ferrule. 470F-1 is 1" [25mm] and 470F-11/4 is 1 1/4" [32mm].</p>	
450FP-1 450FP-11/4	<p>Brass Plug – Threads into brass ferrule to close deactivated opening. Use 450FP-1 for 1" [25mm] opening and 450FP-11/4 for 1 1/4" [32mm] opening.</p>		1124F-3/4 1124F-1	<p>Locking Nipple – 1124F-3/4 is for 3/4" [19.1mm] IPS opening, and 1124F-1 is for 1" [25mm] IPS opening. Both 1124F-3/4 and 1124F-1 are 5/8" [15.9mm] long.</p>	

WIREMOLD



Wiremold / Legrand

U.S. and International:

60 Woodlawn Street • West Hartford, CT 06110

1-800-621-0049 • FAX 860-232-2062 • Outside U.S. 860-233-6251

Canada:

570 Applewood Crescent • Vaughan, Ontario L4K 4B4

1-800-723-5175 • FAX 905-738-9721

ED763R5 – Updated July 2007 – For latest specs visit www.wiremold.com

