

## Complete Category 6, 5e & Fiber Capability in Flush Fittings

now available with  
**BRUSHED ALUMINUM  
ACTIVATIONS!**

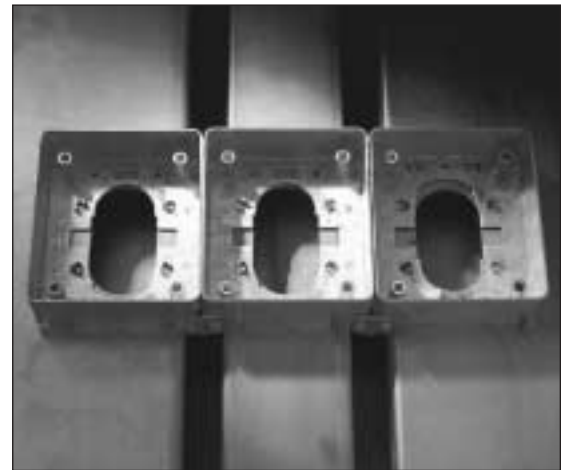
**NEW!**



**W**alkerduct Pro Series Systems provide full capability to install Category 6, 5e and Fiber Optic Cabling and Connections in a flush service fitting. The preset provides maximum cable performance plus cable loop storage. Our flush service fittings also provide the benefits of bend radius features at the workstation.

The factory installed preset also makes it easy to feed conduit, partition feeds, and other feeds directly out of the preset. 2" [51mm] IPS preset duct is also available for those applications where a flush activation is not required.

Flush service fittings are available in brass, brushed aluminum and nonmetallic finishes and can be fitted with modular communication inserts. Our pedestal service fittings, Multiplex™ Service Fittings and 525 Series Fittings, can be used on either system. In addition, flush carpet trim plates are available to make direct feeds out of the presets. Both styles of Walkerduct are UL Listed to U.S. and Canadian safety standards. Walkerduct Pro Series is ideal for retail stores, schools, casinos, and office buildings.



*Pro Series presets are positioned together to create one activation location.*

### Features & Benefits

- **New brushed aluminum activations.** Provides additional finish options for better aesthetics.
- **Heavy Duty Junction Box.** Perfect for casino applications, heavy duty junction boxes are available for applications where the duct system will be subjected to heavy loads.
- **Quality construction.** Duct is made of 16 gauge galvanized steel with continuous seam weld construction. Makes for easy field cuts and prevents water seepage into the duct.
- **Large bend radius into duct and around corners and elbows.** Maintains integrity of fiber optic cable when changing direction of cable orientation.
- **Large oblong opening into duct.** Allows easy hand access into the duct to pull wires. The opening provides enhanced bend radius when pulling cable.
- **One-meter fiber or cable loop storage in preset.** Allows easy access to cable to activate service fitting.
- **Flush activations for single-, double-, and triple-duct runs for both tiled and carpeted floors.** Aesthetically pleasing activations in brass, brushed aluminum and nonmetallic provide easy access to power and telecommunications at each workstation. Activations accept Category 6, 5e, UTP, STP, coaxial, audio, and fiber optics inserts. Front loaded snap-in inserts save installation time.
- **Only junction box available offering square or round access cover plates.** The flexibility to choose which style will provide the greatest aesthetic appearance for a particular tile or carpet application.
- **Built-in tile trim.** The square junction boxes include flangeless aluminum trim to accommodate 1/8" [3.2mm] thick tile. Saves money.
- **Large preset.** The preset has a large cubic inch capacity to allow easy access to wires and plenty of room for splicing and connections. Saves installation time.

#### IMPORTANT!

*A minimum 1 1/2" [38mm] preset or afterset is required on Pro Series Underfloor Duct to support standard duplex receptacles and communication devices when using flush activations. The 1" [25mm] preset or afterset should be specified for pedestal style fittings or when cabling will be pulled through the activation point.*



*Presets have room to store up to 1 meter of cable in preset. Fiber loop clips (Cat. No. 427) shown.*

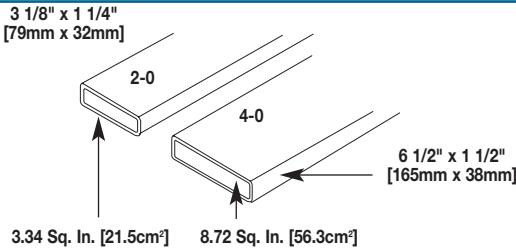
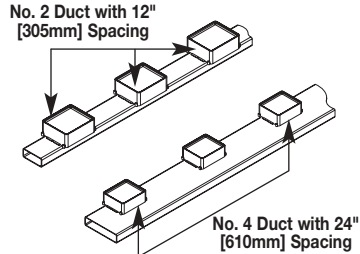
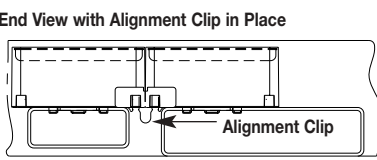
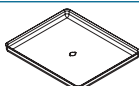
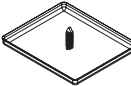
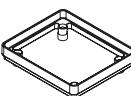
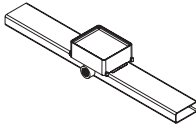


*Pro Series presets offer large access area into the duct.*



*Flush activations offer a full range of power and communication connections.*

# Walkerduct Pro Series

Catalog No. /Item	Description/Specifications
<p>2-0      No. 2 Duct 4-0      No. 4 Duct</p>	<div style="text-align: center;">  <p>3 1/8" x 1 1/4" [79mm x 32mm] 6 1/2" x 1 1/2" [165mm x 38mm] 3.34 Sq. In. [21.5cm<sup>2</sup>]    8.72 Sq. In. [56.3cm<sup>2</sup>]</p> </div> <p><b>Blank Duct</b> – Used primarily for feeder runs. 10' [3m] standard length. One-piece continuous seam weld construction. 16 gauge [1.5mm] galvanized steel.</p>
<p>D21210 No. 2 Duct, 12" spacing, 1" presets. D21215 No. 2 Duct, 12" spacing, 1 1/2" presets. D21220 No. 2 Duct, 12" spacing, 2" presets. D21225 No. 2 Duct, 12" spacing, 2 1/2" presets. D21230 No. 2 Duct, 12" spacing, 3" presets. D22410 No. 2 Duct, 24" spacing, 1" presets. D22415 No. 2 Duct, 24" spacing, 1 1/2" presets. D22420 No. 2 Duct, 24" spacing, 2" presets. D22425 No. 2 Duct, 24" spacing, 2 1/2" presets. D22430 No. 2 Duct, 24" spacing, 3" presets.</p> <p>D41210 No. 4 Duct, 12" spacing, 1" presets. D41215 No. 4 Duct, 12" spacing, 1 1/2" presets. D41220 No. 4 Duct, 12" spacing, 2" presets. D41225 No. 4 Duct, 12" spacing, 2 1/2" presets. D41230 No. 4 Duct, 12" spacing, 3" presets. D42410 No. 4 Duct, 24" spacing, 1" presets. D42415 No. 4 Duct, 24" spacing, 1 1/2" presets. D42420 No. 4 Duct, 24" spacing, 2" presets. D42425 No. 4 Duct, 24" spacing, 2 1/2" presets. D42430 No. 4 Duct, 24" spacing, 3" presets.</p> <p><b>Catalog Numbering System:</b></p> <p>Example: <span style="border: 1px solid black; padding: 2px;">D21215</span></p> <div style="display: flex; justify-content: space-around; margin-top: 10px;"> <div style="text-align: center;"> <p>Duct Size of Duct</p> </div> <div style="text-align: center;"> <p>Preset Height</p> </div> <div style="text-align: center;"> <p>Preset Spacing</p> </div> </div>	<div style="text-align: center;">  <p>No. 2 Duct with 12" [305mm] Spacing No. 4 Duct with 24" [610mm] Spacing</p> </div> <div style="text-align: center; margin-top: 10px;">  <p>End View with Alignment Clip in Place Alignment Clip</p> </div> <p><b>Preset Duct</b> – Used for distribution runs. 10' [3m] standard length. One-piece continuous seam weld construction. 16 gauge galvanized steel. Die-cast presets have knockout in base. With knockout removed, the opening size into duct is 3 1/8" x 1 5/8" [79mm x 41mm]. No. 4 duct is punched off center. An alignment clip is included with each piece of duct. This is used to connect presets and prevent movement of presets during concrete pour.</p> <p>Standard preset spacings are 12" [305mm] and 24" [610mm] on center. Preset heights are: 1" [25mm], 1 1/2" [38mm], 2" [51mm], 2 1/2" [64mm], and 3" [76mm]. Presets are sealed with recessed removable mudcap. Preset dimensions are 4 1/8" wide x 4 13/16" long [105mm x 123mm].</p> <div style="background-color: #e0f0ff; padding: 5px; margin-top: 10px;"> <p style="text-align: center; margin: 0;"><b>IMPORTANT!</b></p> <p style="font-size: small; margin: 0;">Triple-gang flush activations are not compatible with 3244 and 3444 System layouts. Use combination of single- and two-gang activations to access all three ducts at one point.</p> </div> <div style="background-color: #e0f0ff; padding: 5px; margin-top: 5px;"> <p style="text-align: center; margin: 0;"><b>IMPORTANT!</b></p> <p style="font-size: small; margin: 0;">A minimum 1 1/2" [38mm] preset or afterset is required on Pro Series Underfloor Duct to support standard duplex receptacles and communication devices when using flush activations. The 1" [25mm] preset or afterset should be specified for pedestal style fittings or when cabling will be pulled through the activation point.</p> </div>
421	<div style="text-align: center;">  </div> <p><b>Mudcap</b> – Steel replacement cap for preset. Recessed to hold 3/8" [9.5mm] concrete.</p>
422GR (Green) 422RD (Red)	<div style="text-align: center;">  </div> <p><b>Marker Cap</b> – Replaces mudcap on preset to indicate location of the last insert in each run. Select color for each service.</p>
425 1/2" [12.1mm] High 426 1" [25mm] High	<div style="text-align: center;">  </div> <p><b>Preset Extensions</b> – Can be factory or field installed to increase height of presets. Die-cast construction. Attaches with push on metal sleeves (included). 1" [25mm] size can be stacked. 1/2" [12.7mm] size cannot be stacked with another extension on top.</p>
D2075 For No. 2 Duct D4075 For No. 4 Duct	<div style="text-align: center;">  </div> <p><b>Duct Conduit Hub (12" [305mm] Section of Duct with 1" [25mm] Preset)</b> – For rigid or PVC conduit. Used to provide feed to isolated outlets; maintains 24" [610mm] spacing of presets. Preset height is 1" [25mm]. Add extensions if higher preset needed.</p>

## Walkerduct Underfloor Duct

**Catalog No. /Item**

**Description/Specifications**

- 2-12x2x7/8     **No. 2 Duct, 12" spacing, 7/8" presets.**
- 2-12x2x11/2   **No. 2 Duct, 12" spacing, 1 1/2" presets.**
- 2-12x2x2       **No. 2 Duct, 12" spacing, 2" presets.**
- 2-12x2x21/2   **No. 2 Duct, 12" spacing, 2 1/2" presets.**
- 2-12x2x3       **No. 2 Duct, 12" spacing, 3" presets.**
  
- 2-24x2x7/8     **No. 2 Duct, 24" spacing, 7/8" presets.**
- 2-24x2x11/2   **No. 2 Duct, 24" spacing, 1 1/2" presets.**
- 2-24x2x2       **No. 2 Duct, 24" spacing, 2" presets.**
- 2-24x2x21/2   **No. 2 Duct, 24" spacing, 2 1/2" presets.**
- 2-24x2x3       **No. 2 Duct, 24" spacing, 3" presets.**
  
- 4-12x2x7/8     **No. 4 Duct, 12" spacing, 7/8" presets.**
- 4-12x2x11/2   **No. 4 Duct, 12" spacing, 1 1/2" presets.**
- 4-12x2x2       **No. 4 Duct, 12" spacing, 2" presets.**
- 4-12x2x21/2   **No. 4 Duct, 12" spacing, 2 1/2" presets.**
- 4-12x2x3       **No. 4 Duct, 12" spacing, 3" presets.**
  
- 4-24x2x7/8     **No. 4 Duct, 24" spacing, 7/8" presets.**
- 4-24x2x11/2   **No. 4 Duct, 24" spacing, 1 1/2" presets.**
- 4-24x2x2       **No. 4 Duct, 24" spacing, 2" presets.**
- 4-24x2x21/2   **No. 4 Duct, 24" spacing, 2 1/2" presets.**
- 4-24x2x3       **No. 4 Duct, 24" spacing, 3" presets.**

**Preset Duct** – Used for distribution runs. 10' [3m] standard length. One-piece continuous seam weld construction. 16 gauge galvanized steel. Round die-cast presets have inside threads to accept standard connectors.

Standard preset spacings are 12" [305mm] and 24" [610mm] on center. Preset heights are 7/8" 1 1/2", 2", 2 1/2" and 3" [22.2mm, 38mm, 51mm, 64mm and 76mm]. Presets are sealed with recessed removable mudcap. Preset inside diameter is 2" [51mm].

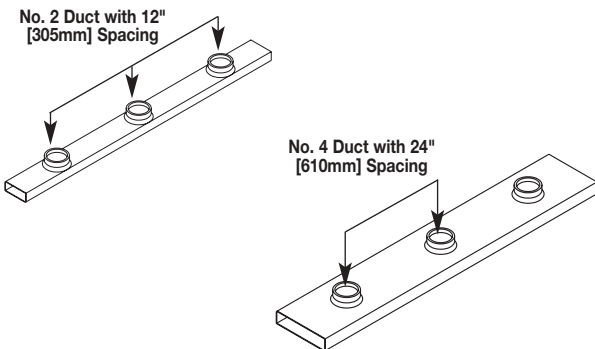
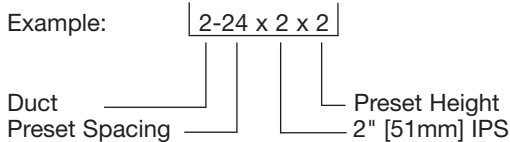
Service fitting selections for 2" [51mm] IPS preset duct are: 525 Series, Multiplex, and 1200 Series.

### Duct Cable/Wire Fill Chart

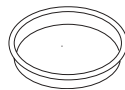
CABLE/WIRE SIZE	O.D.		AREA (SQ IN.)		40% FILL*	
	Inches	[mm]	Inches	[mm]	NO. 2 DUCT	NO. 4 DUCT
UNSHIELDED TWISTED PAIR						
4-PAIR, CAT 6	.250	[6.4]	.049	[31.7]	26	71
4-PAIR, 24 AWG CAT 5 UTP	.220	[5.6]	.038	[24.5]	35	91
4-PAIR, 24 AWG CAT 3 UTP	.190	[4.8]	.029	[18.7]	47	122
TELEPHONE						
2-PAIR, 24 AWG	.140	[3.6]	.015	[9.9]	86	226
3-PAIR, 24 AWG	.150	[3.8]	.018	[11.6]	75	197
4-PAIR, 24 AWG	.190	[4.8]	.028	[18.1]	47	122
25-PAIR, 24 AWG	.410	[10.4]	.132	[85.2]	10	26
COAXIAL						
RG58/U	.195	[4.9]	.030	[19.4]	44	117
RG59/U	.242	[6.1]	.046	[29.7]	29	76
RG62/U	.242	[6.1]	.046	[29.7]	29	76
RG6/U	.270	[6.8]	.057	[36.8]	23	61
TWINAXIAL						
100 Ohm	.330	[8.4]	.086	[55.9]	15	40
SHIELDED TWISTED PAIR						
TYPE 1	.390	[9.9]	.119	[76.8]	11	29
TYPE 2	.465	[11.8]	.170	[109.7]	7	20
TYPE 3	.245	[6.2]	.047	[30.3]	28	74
FIBER OPTIC						
2-STRAND DUPLEX MULTIMODE, 62.5/125µm	.190	[4.8]	.025	[16.1]	47	122
THHN WIRE						
#14	.0097	[.25]	.010	[6.5]	137	359
#12	.0133	[.34]	.013	[8.4]	100	262
#10	.0211	[.54]	.021	[13.5]	63	165
# 8	.0366	[.93]	.037	[23.9]	36	95
# 6	.0507	[1.29]	.051	[32.9]	26	68

\*40% cable fill is the maximum cable allowed by NEC.

**Catalog Numbering System:**



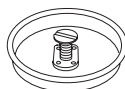
404



**Mudcap** – Steel replacement cap for 2" [51mm] IPS preset. Recessed to hold 3/8" [9.5mm] concrete.

415B  
415N

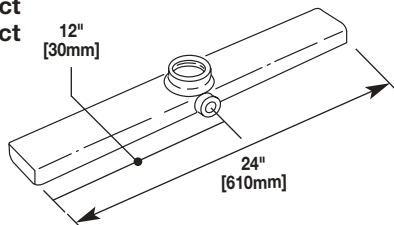
(Brass)  
(Steel)



**Marker Cap** – Replaces mudcap on preset to indicate location of run. NEC requires markers to locate the last preset in each run. Select color for each service.

317-3/4-\*  
H317-3/4-\*

For No. 2 Duct  
For No. 4 Duct



**2" [610mm] Section of Duct with IPS Preset and 3/4" [19.1mm] Conduit Hub** – For rigid or PVC conduit. Used to provide feed to isolated outlets; maintains 24" [610mm] spacing of presets. Heights from 7/8" [22.2mm] to 3 1/2" [89mm]. **\*Specify preset height.**

## Duct Supports

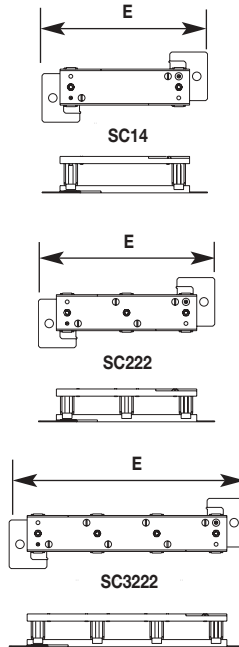
### Catalog No./Item

**SC12** For one No. 2 Duct  
**SC14** For one No. 4 Duct  
**SC222** For two No. 2 Ducts  
**SC224** For one No. 2 Duct and one No. 4 Duct  
**SC244** For two No. 4 Ducts  
**SC3222** For three No. 2 Ducts  
**SC3224** For two No. 2 Ducts and one No. 4 Duct  
**SC3244** For one No. 2 Duct and two No. 4 Ducts  
**SC3424** For two No. 4 Ducts and one No. 2 Duct (No. 2 Duct in center)

Cat No.	DIMENSION "E"	
	Inches	[mm]
SC12	8.125	[206mm]
SC14	11.500	[292mm]
SC222	12.250	[311mm]
SC224	15.625	[396mm]
SC244	19.000	[482mm]
SC3222	16.375	[415mm]
SC3224	19.750	[501mm]
SC3242	19.750	[501mm]
SC3244	23.125	[587mm]
SC3444	26.500	[673mm]
SC42222	20.500	[520mm]

*Cat. No. Suffix	Height Adjustment	
-18	1/2" [12.7mm] to	1 7/8" [48mm]
-33	1 1/2" [38mm] to	3 3/4" [95mm]
-48	3" [76mm] to	4 7/8" [124mm]

*Duct supports for deeper pours are available through the factory.*



#### Catalog Numbering System:

Example:

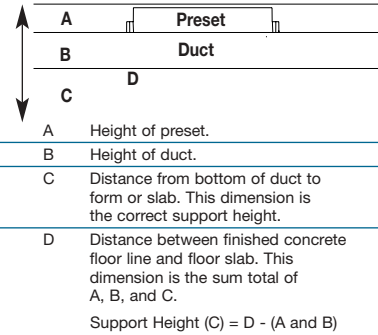
SC3244

Support \_\_\_\_\_  
 No. of Ducts \_\_\_\_\_  
 in System \_\_\_\_\_  
 Duct Size \_\_\_\_\_  
 and Orientation \_\_\_\_\_

### Description/Specifications

**Adjustable Duct Supports with Built-In Couplings** – To support, couple, and hold duct in place before and during concrete pour. Steel construction. Leveling screws provide vertical adjustment. Different leg heights available. Supports may be fastened to form or to slab through holes in the feet. Top members maintain 1" [25mm] spacing between ducts. Locate duct supports on approximately 5' [1.5m] intervals.

#### How to Determine Correct Support Heights



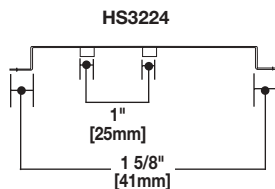
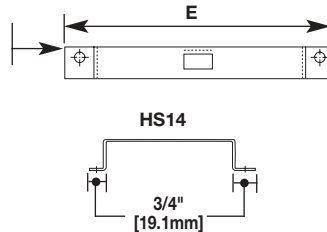
**NOTE:** Recommend minimum of 3" [76mm] clearance space on each side of duct support (E dimension) for concrete placement.

## Hold-Down Straps

### Catalog No./Item

**HS12** For one No. 2 Duct  
**HS14** For one No. 4 Duct  
**HS222** For two No. 2 Ducts  
**HS224** For one No. 2 Duct and one No. 4 Duct  
**HS244** For two No. 4 Ducts  
**HS3222** For three No. 2 Ducts  
**HS3224** For two No. 2 Ducts and one No. 4 Duct  
**HS3244** For one No. 2 Duct on approximate 5' [1.5m] centers and two No. 4 Ducts  
**HS3424** For two No. 4 Ducts with one No. 2 Duct in center

Two Holes 9/32" [7.1mm] Dia.



ITEM	"E" DIMENSION	
HS12	5 3/16"	[132mm]
HS14	8 1/16"	[205mm]
HS222	10 5/8"	[270mm]
HS224	14"	[356mm]
HS244	17 3/8"	[448mm]
HS3222	14 13/16"	[376mm]
HS3224	18 3/16"	[462mm]
HS3244	21 9/16"	[548mm]
HS3424	21 9/16"	[548mm]

### Description/Specifications

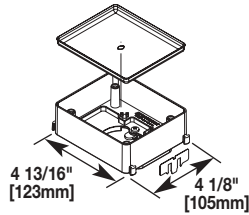
**Hold-Down Straps** – To fasten ducts to the slab in shallow concrete. Used in place of duct supports. Straps maintain 1" [25mm] spacing between ducts on multiple duct runs and prevent duct from floating during concrete pour. Attaches to slab with stakes or drive pins (not included). Locate hold-down straps

No. 2 Duct strap is 1 1/4" H [32mm]; No. 4 Duct strap is 1 1/2" H [38mm]; Straps have a maximum width of 1 1/4" [32mm].

## Aftersets

### Catalog No./Item

4210	1"	[25mm]	high
4215	1 1/2"	[38mm]	high
4220	2"	[51mm]	high
4225	2 1/2"	[64mm]	high
4230	3"	[76mm]	high



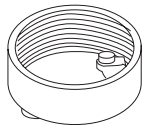
### Description/Specifications

**Afterset** – Installed either before or after concrete pour to create activation from duct. Requires 6 1/2" [165mm] core drilled hole in concrete and 2 1/2" [64mm] diameter hole in duct. Requires grout fill around afterset to fill voids in 6 1/2" [165mm] hole. Attaches to duct with locking tabs. Extensions can be attached to increase height. Aftersets are gangable. Alignment clip and mudcap included. All Pro Series activations fit on afterset. See ED850 and ED667.

#### IMPORTANT!

*A minimum 1 1/2" [38mm] preset or afterset is required on Pro Series Underfloor Duct to support standard duplex receptacles and communication devices when using flush activations. The 1" [25mm] preset or afterset should be specified for pedestal style fittings or when cabling will be pulled through the activation point.*

436-2-7/8	7/8"	[22.2mm]	high
-2-1 1/2	1 1/2"	[38mm]	high
-2-2-2	2"	[51mm]	high
-2-2 3/8	2 3/8"	[64mm]	high
-2-3	3"	[76mm]	high



**Round Afterset** – Installed either before or after concrete pour to create activation from duct. Requires 2 1/2" [64mm] core drilled hole in concrete and 2 1/4" [57mm] diameter hole in duct. Attaches to duct with locking tabs. Extensions can be attached to increase height.

## Walkerduct Junction Boxes

### Purpose:

Junction boxes are used at intersections of duct runs to:

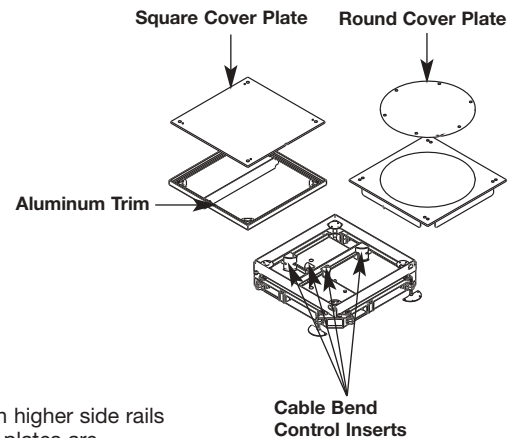
1. To separate the various raceways as they cross each other.
2. To furnish access to the system for pulling and splicing of wires.
3. To provide means of connecting the system to distribution closets with duct or conduit home runs.

### Construction Features:

Openings are provided in the four sides to receive from one to five ducts, which are secured by grounding clips. Corner openings provide conduit feeds. The interiors of the boxes have partitions which completely separate each duct and at the same time form a continuous path through the box in both directions. No partitions are needed for single run boxes. Most partitions are removable and their orientation can be changed to correct installation errors. For precise leveling after the pour, cover plates can be adjusted upward 1/2" [12.7mm] with the recessed screws in the cover plate.

Standard boxes are designed for use with duct having 1" [25mm] high presets. Boxes with higher side rails in 1/2" [12.7mm] increments can be furnished for systems requiring higher presets. Cover plates are 1/4" [6.4mm] thick. Junction boxes are provided with nonmetallic corner inserts to provide controlled cable bend radius around the tunneling inside the box (see diagram). They should be snapped into place before wire placement. Brass or stainless steel holders for tile and carpet can be used on top of the round cover plates. Square junction boxes include aluminum trim for carpet or tile applications.

Heavy duty junction boxes are used where heavy loads will be rolled over or placed on the system. These are constructed with a 3/8" [9.5mm] cover plate and additional support studs. Up to 5/8" [15.9mm] concrete recommended over presets for heavy loads. Minimum heavy duty junction box height is 1 1/2" [38mm].

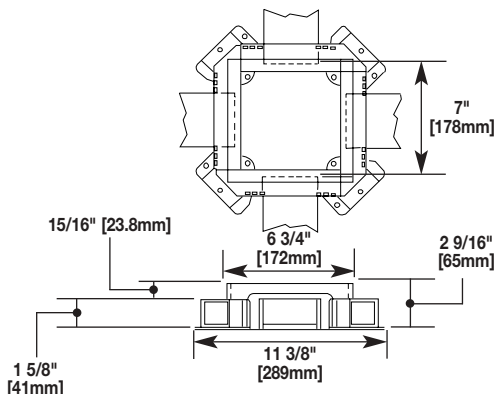


### Item

### Catalog No./Description/Specifications

- 12JS-\* (square cover plate)
- 12JR-\* (round cover plate)
- 12HS-\* Heavy duty (square)
- 12HR-\* Heavy duty (round)

**Junction Box** – One No. 2 Duct per side. No interior partitioning. Square cover plate measures 6 3/4" x 6 3/4" [171mm x 171mm]. Diameter of round cover plate is 4.813" [122mm]. Specify suffix.



*SUFFIX FOR JUNCTION BOXES	DEPTH OF CONCRETE OVER DUCT
1	1" [25mm] min. to 1 1/2" [35mm] max.
1 1/2	1 1/2" [38mm] min. to 2" [51mm] max.
2	2" [51mm] min. to 2 1/2" [62mm] max.
2 1/2	2 1/2" [64mm] min. to 3" [76mm] max.
3	3" [76mm] min. to 3 1/2" [89mm] max.
3 1/2	3 1/2" [89mm] min. to 4" [102mm] max.

*\*Other junction box heights are available. Consult factory for availability.*



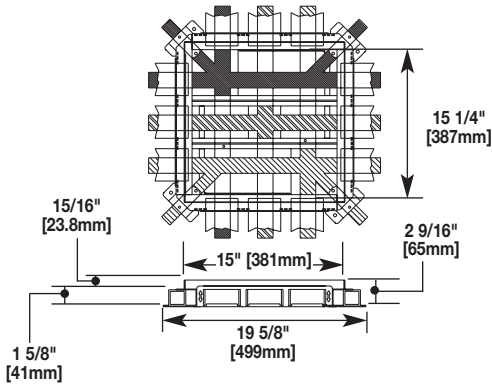
## Walkerduct Junction Boxes (Continued)

Item	Catalog No./Description/Specification															
	<b>14JS-*</b> (square cover plate) <b>14JR-*</b> (round cover plate)	<b>Junction Box</b> – One No. 4 duct per side. No interior partitioning. Square cover plate measures 10 7/8" x 10 7/8" [276mm x 276mm]. Diameter of round cover plate is 8.948" [227mm]. Specify suffix.														
	<b>14HS-*</b> Heavy Duty (square) <b>14HR-*</b> Heavy Duty (round)															
	<table border="1" style="width: 100%; border-collapse: collapse;"> <thead> <tr> <th style="width: 50%;">*SUFFIX FOR JUNCTION BOXES</th> <th style="width: 50%;">DEPTH OF CONCRETE OVER DUCT</th> </tr> </thead> <tbody> <tr> <td>1</td> <td>1" [25mm] min. to 1 1/2" [35mm] max.</td> </tr> <tr> <td>1 1/2</td> <td>1 1/2" [38mm] min. to 2" [51mm] max.</td> </tr> <tr> <td>2</td> <td>2" [51mm] min. to 2 1/2" [62mm] max.</td> </tr> <tr> <td>2 1/2</td> <td>2 1/2" [64mm] min. to 3" [76mm] max.</td> </tr> <tr> <td>3</td> <td>3" [76mm] min. to 3 1/2" [89mm] max.</td> </tr> <tr> <td>3 1/2</td> <td>3 1/2" [89mm] min. to 4" [102mm] max.</td> </tr> </tbody> </table>	*SUFFIX FOR JUNCTION BOXES	DEPTH OF CONCRETE OVER DUCT	1	1" [25mm] min. to 1 1/2" [35mm] max.	1 1/2	1 1/2" [38mm] min. to 2" [51mm] max.	2	2" [51mm] min. to 2 1/2" [62mm] max.	2 1/2	2 1/2" [64mm] min. to 3" [76mm] max.	3	3" [76mm] min. to 3 1/2" [89mm] max.	3 1/2	3 1/2" [89mm] min. to 4" [102mm] max.	<i>*Other junction box heights are available. Consult factory for availability.</i>
*SUFFIX FOR JUNCTION BOXES	DEPTH OF CONCRETE OVER DUCT															
1	1" [25mm] min. to 1 1/2" [35mm] max.															
1 1/2	1 1/2" [38mm] min. to 2" [51mm] max.															
2	2" [51mm] min. to 2 1/2" [62mm] max.															
2 1/2	2 1/2" [64mm] min. to 3" [76mm] max.															
3	3" [76mm] min. to 3 1/2" [89mm] max.															
3 1/2	3 1/2" [89mm] min. to 4" [102mm] max.															
	<b>222JS-*</b> (square cover plate) <b>222JR-*</b> (round cover plate)	<b>Junction Box</b> – Two No. 2 ducts per side. Square cover plate measures 10 7/8" x 10 7/8" [276mm x 276mm]. Diameter of round cover plate is 8.948" [227mm]. Specify suffix.														
	<b>222HS-*</b> Heavy Duty (square) <b>222HR-*</b> Heavy Duty (round)															
	<table border="1" style="width: 100%; border-collapse: collapse;"> <thead> <tr> <th style="width: 50%;">*SUFFIX FOR JUNCTION BOXES</th> <th style="width: 50%;">DEPTH OF CONCRETE OVER DUCT</th> </tr> </thead> <tbody> <tr> <td>1</td> <td>1" [25mm] min. to 1 1/2" [35mm] max.</td> </tr> <tr> <td>1 1/2</td> <td>1 1/2" [38mm] min. to 2" [51mm] max.</td> </tr> <tr> <td>2</td> <td>2" [51mm] min. to 2 1/2" [62mm] max.</td> </tr> <tr> <td>2 1/2</td> <td>2 1/2" [64mm] min. to 3" [76mm] max.</td> </tr> <tr> <td>3</td> <td>3" [76mm] min. to 3 1/2" [89mm] max.</td> </tr> <tr> <td>3 1/2</td> <td>3 1/2" [89mm] min. to 4" [102mm] max.</td> </tr> </tbody> </table>	*SUFFIX FOR JUNCTION BOXES	DEPTH OF CONCRETE OVER DUCT	1	1" [25mm] min. to 1 1/2" [35mm] max.	1 1/2	1 1/2" [38mm] min. to 2" [51mm] max.	2	2" [51mm] min. to 2 1/2" [62mm] max.	2 1/2	2 1/2" [64mm] min. to 3" [76mm] max.	3	3" [76mm] min. to 3 1/2" [89mm] max.	3 1/2	3 1/2" [89mm] min. to 4" [102mm] max.	<i>*Other junction box heights are available. Consult factory for availability.</i>
*SUFFIX FOR JUNCTION BOXES	DEPTH OF CONCRETE OVER DUCT															
1	1" [25mm] min. to 1 1/2" [35mm] max.															
1 1/2	1 1/2" [38mm] min. to 2" [51mm] max.															
2	2" [51mm] min. to 2 1/2" [62mm] max.															
2 1/2	2 1/2" [64mm] min. to 3" [76mm] max.															
3	3" [76mm] min. to 3 1/2" [89mm] max.															
3 1/2	3 1/2" [89mm] min. to 4" [102mm] max.															
	<b>224JS-*</b> (square cover plate) <b>224JR-*</b> (round cover plate)	<b>Junction Box</b> – One No. 2 duct and one No. 4 duct per side. Square cover plate measures 15" x 15" [381mm x 381mm]. Diameter of round cover plate is 13.063" [332mm]. Specify suffix.														
	<b>224HS-*</b> Heavy Duty (square) <b>224HR-*</b> Heavy Duty (round)															
	<table border="1" style="width: 100%; border-collapse: collapse;"> <thead> <tr> <th style="width: 50%;">*SUFFIX FOR JUNCTION BOXES</th> <th style="width: 50%;">DEPTH OF CONCRETE OVER DUCT</th> </tr> </thead> <tbody> <tr> <td>1</td> <td>1" [25mm] min. to 1 1/2" [35mm] max.</td> </tr> <tr> <td>1 1/2</td> <td>1 1/2" [38mm] min. to 2" [51mm] max.</td> </tr> <tr> <td>2</td> <td>2" [51mm] min. to 2 1/2" [62mm] max.</td> </tr> <tr> <td>2 1/2</td> <td>2 1/2" [64mm] min. to 3" [76mm] max.</td> </tr> <tr> <td>3</td> <td>3" [76mm] min. to 3 1/2" [89mm] max.</td> </tr> <tr> <td>3 1/2</td> <td>3 1/2" [89mm] min. to 4" [102mm] max.</td> </tr> </tbody> </table>	*SUFFIX FOR JUNCTION BOXES	DEPTH OF CONCRETE OVER DUCT	1	1" [25mm] min. to 1 1/2" [35mm] max.	1 1/2	1 1/2" [38mm] min. to 2" [51mm] max.	2	2" [51mm] min. to 2 1/2" [62mm] max.	2 1/2	2 1/2" [64mm] min. to 3" [76mm] max.	3	3" [76mm] min. to 3 1/2" [89mm] max.	3 1/2	3 1/2" [89mm] min. to 4" [102mm] max.	<i>*Other junction box heights are available. Consult factory for availability.</i>
*SUFFIX FOR JUNCTION BOXES	DEPTH OF CONCRETE OVER DUCT															
1	1" [25mm] min. to 1 1/2" [35mm] max.															
1 1/2	1 1/2" [38mm] min. to 2" [51mm] max.															
2	2" [51mm] min. to 2 1/2" [62mm] max.															
2 1/2	2 1/2" [64mm] min. to 3" [76mm] max.															
3	3" [76mm] min. to 3 1/2" [89mm] max.															
3 1/2	3 1/2" [89mm] min. to 4" [102mm] max.															
	<b>244JS-*</b> (square cover plate) <b>244JR-*</b> (round cover plate)	<b>Junction Box</b> – Two No. 4 ducts per side. Square cover plate measures 18 3/8" x 18 3/8" [467mm x 467mm]. Diameter of round cover plate is 16.438" [418mm]. Specify suffix.														
	<b>244HS-*</b> Heavy Duty (square) <b>244HR-*</b> Heavy Duty (round)															
	<table border="1" style="width: 100%; border-collapse: collapse;"> <thead> <tr> <th style="width: 50%;">*SUFFIX FOR JUNCTION BOXES</th> <th style="width: 50%;">DEPTH OF CONCRETE OVER DUCT</th> </tr> </thead> <tbody> <tr> <td>1</td> <td>1" [25mm] min. to 1 1/2" [35mm] max.</td> </tr> <tr> <td>1 1/2</td> <td>1 1/2" [38mm] min. to 2" [51mm] max.</td> </tr> <tr> <td>2</td> <td>2" [51mm] min. to 2 1/2" [62mm] max.</td> </tr> <tr> <td>2 1/2</td> <td>2 1/2" [64mm] min. to 3" [76mm] max.</td> </tr> <tr> <td>3</td> <td>3" [76mm] min. to 3 1/2" [89mm] max.</td> </tr> <tr> <td>3 1/2</td> <td>3 1/2" [89mm] min. to 4" [102mm] max.</td> </tr> </tbody> </table>	*SUFFIX FOR JUNCTION BOXES	DEPTH OF CONCRETE OVER DUCT	1	1" [25mm] min. to 1 1/2" [35mm] max.	1 1/2	1 1/2" [38mm] min. to 2" [51mm] max.	2	2" [51mm] min. to 2 1/2" [62mm] max.	2 1/2	2 1/2" [64mm] min. to 3" [76mm] max.	3	3" [76mm] min. to 3 1/2" [89mm] max.	3 1/2	3 1/2" [89mm] min. to 4" [102mm] max.	<i>*Other junction box heights are available. Consult factory for availability.</i>
*SUFFIX FOR JUNCTION BOXES	DEPTH OF CONCRETE OVER DUCT															
1	1" [25mm] min. to 1 1/2" [35mm] max.															
1 1/2	1 1/2" [38mm] min. to 2" [51mm] max.															
2	2" [51mm] min. to 2 1/2" [62mm] max.															
2 1/2	2 1/2" [64mm] min. to 3" [76mm] max.															
3	3" [76mm] min. to 3 1/2" [89mm] max.															
3 1/2	3 1/2" [89mm] min. to 4" [102mm] max.															

## Walkerduct Junction Boxes (Continued)

**Item**

**Catalog No./Description/Specifications**



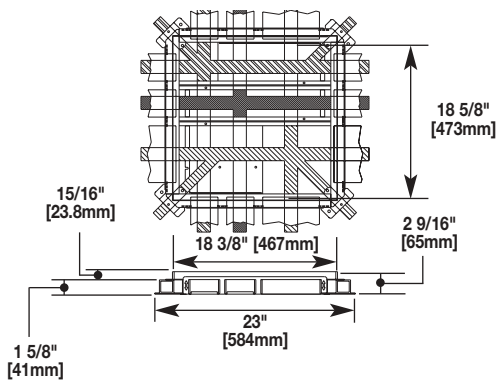
**3222JS-\*** (square cover plate)  
**3222JR-\*** (round cover plate)

**Junction Box** – Three No. 2 Ducts per side. Square cover plate measures 15" x 15" [381mm x 381mm]. Diameter of round cover plate is 13.063" [332mm]. Specify suffix.

**3222HS-\*** Heavy Duty (square)  
**3222HR-\*** Heavy Duty (round)

*SUFFIX FOR JUNCTION BOXES	DEPTH OF CONCRETE OVER DUCT
1	1" [25mm] min. to 1 1/2" [35mm] max.
1 1/2	1 1/2" [38mm] min. to 2" [51mm] max.
2	2" [51mm] min. to 2 1/2" [62mm] max.
2 1/2	2 1/2" [64mm] min. to 3" [76mm] max.
3	3" [76mm] min. to 3 1/2" [89mm] max.
3 1/2	3 1/2" [89mm] min. to 4" [102mm] max.

*\*Other junction box heights are available. Consult factory for availability.*



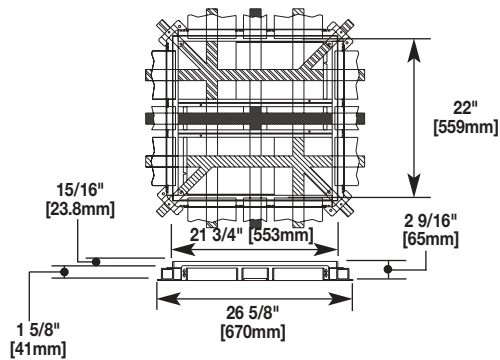
**3224JS-\*** (square cover plate)  
**3224JR-\*** (round cover plate)

**Junction Box** – Two No. 2 Ducts and one No. 4 duct per side. Square cover plate measures 18 3/8" x 18 3/8" [467mm x 467mm]. Diameter of round cover plate is 16.438" [418mm]. Specify suffix.

**3224HS-\*** Heavy Duty (square)  
**3224HR-\*** Heavy Duty (round)

*SUFFIX FOR JUNCTION BOXES	DEPTH OF CONCRETE OVER DUCT
1	1" [25mm] min. to 1 1/2" [35mm] max.
1 1/2	1 1/2" [38mm] min. to 2" [51mm] max.
2	2" [51mm] min. to 2 1/2" [62mm] max.
2 1/2	2 1/2" [64mm] min. to 3" [76mm] max.
3	3" [76mm] min. to 3 1/2" [89mm] max.
3 1/2	3 1/2" [89mm] min. to 4" [102mm] max.

*\*Other junction box heights are available. Consult factory for availability.*



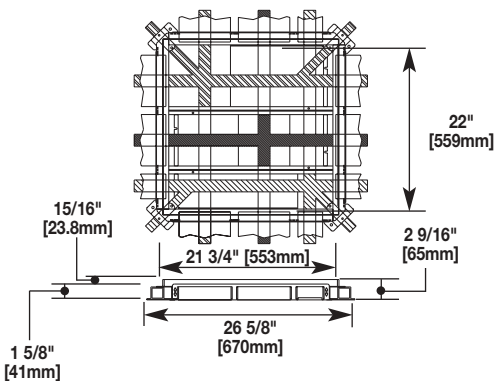
**3424JS-\*** (square cover plate)  
**3424JR-\*** (round cover plate)

**Junction Box** – Two No. 4 Ducts and one No. 2 Duct per side. The No. 2 Duct is centered between the two No. 4 Ducts. Square cover plate measures 21 3/4" x 21 3/4" [553mm x 553mm]. Diameter of round cover plate is 19.813" [503mm]. Specify suffix.

**3424HS-\*** Heavy Duty (square)  
**3424HR-\*** Heavy Duty (round)

*SUFFIX FOR JUNCTION BOXES	DEPTH OF CONCRETE OVER DUCT
1	1" [25mm] min. to 1 1/2" [35mm] max.
1 1/2	1 1/2" [38mm] min. to 2" [51mm] max.
2	2" [51mm] min. to 2 1/2" [62mm] max.
2 1/2	2 1/2" [64mm] min. to 3" [76mm] max.
3	3" [76mm] min. to 3 1/2" [89mm] max.
3 1/2	3 1/2" [89mm] min. to 4" [102mm] max.

*\*Other junction box heights are available. Consult factory for availability.*



**3244JS-\*** (square cover plate)  
**3244JR-\*** (round cover plate)

**Junction Box** – One No. 2 Duct and two No. 4 Ducts per side. Square cover plate measures 21 3/4" x 21 3/4" [553mm x 553mm]. Diameter of round cover plate is 19.813". [503mm]. Specify suffix.

**3244HS-\*** Heavy Duty (square)  
**3244HR-\*** Heavy Duty (round)

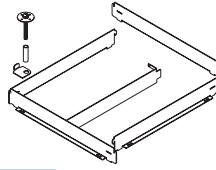
*SUFFIX FOR JUNCTION BOXES	DEPTH OF CONCRETE OVER DUCT
1	1" [25mm] min. to 1 1/2" [35mm] max.
1 1/2	1 1/2" [38mm] min. to 2" [51mm] max.
2	2" [51mm] min. to 2 1/2" [62mm] max.
2 1/2	2 1/2" [64mm] min. to 3" [76mm] max.
3	3" [76mm] min. to 3 1/2" [89mm] max.
3 1/2	3 1/2" [89mm] min. to 4" [102mm] max.

*\*Other junction box heights are available. Consult factory for availability.*

## Junction Box Accessories

### Catalog No./Item

12EXT-\* For 12 size boxes  
 222EXT-\* For 14 or 222 size boxes  
 3222EXT-\* For 224 or 3222 size boxes  
 3224EXT-\* For 244 or 3224 size boxes  
 3244EXT-\* For 3424 or 3244 size boxes



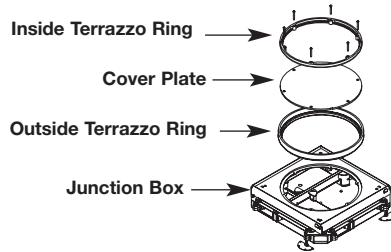
### Description/Specifications

**Side Rail Extension** – Kit to adapt JS, JR, HS, and HR style junction boxes for deep concrete pours.

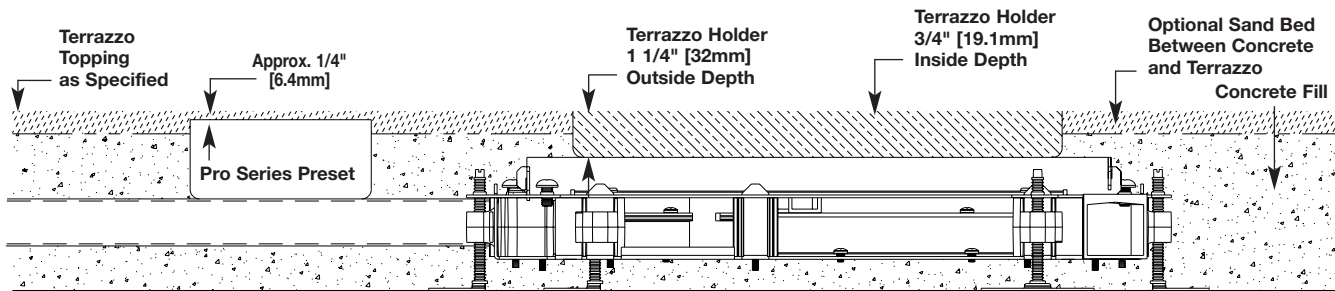
Partition extensions are provided with side rail extensions. Partitions maintain the separation of services. Field installation requires some disassembly and reassembly of the junction box prior to the concrete pour. Extensions replace entire sides of boxes. Specify suffix.

*Suffix for Side Rail Extensions	Depth of Concrete Over Duct				
1 1/2	1 1/2"	[38mm]	min. to 2"	[51mm]	max.
2	2"	[51mm]	min. to 2 1/2"	[62mm]	max.
2 1/2	2 1/2"	[64mm]	min. to 3"	[76mm]	max.
3	3"	[76mm]	min. to 3 1/2"	[89mm]	max.
3 1/2	3 1/2"	[89mm]	min. to 4"	[102mm]	max.

6RTT For 142L/14H box  
 RTT4 For 12JR box  
 RTT8 For 14JR/222JR box  
 RTT13 For 224JR/3222JR box  
 RTT16 For 244JR/3224JR box  
 RTT20 For 3244/3424JR box



**Terrazzo Holder** – For round JR style junction boxes. Two-piece brass rings mount to junction box cover plate. Inner ring is filled with terrazzo. Screws are recessed into inner ring and allow the holder to be removed after floor is ground and polished. Terrazzo units hold 3/4" [19.1mm] deep terrazzo, but increase the height of the junction box by 1 1/4" [32mm].

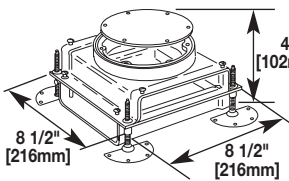


### Catalog No./Item

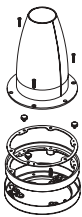
142L-1

### Description/Specifications

**Two Level Junction Box** – Adaptable for either No. 2 Duct or No. 4 Duct. No partitioning required. Requires a 4" [102mm] minimum pour. 3/8" [9.5mm] upward adjustment of cover plate is possible afterpour. 5 3/4" [146mm] nominal diameter round cover plate. 1/8" [3.2mm] plate thickness. Use adjustable extension ring when additional height is needed. See Cat. No. 6AER- rings on page 9.



H14-AS



**Complete Access Activation** – For access to large number of cables at activation. Requires field cut 5" [127mm] hole in duct. Can be used as an afterset or preset on No. 4 Duct. For concrete pours over 1" [25mm] an extension ring is required. See Cat. No. 6AER- rings on page 9.

H14BC



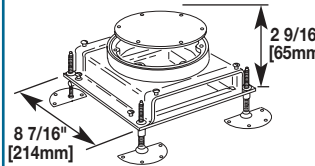
**Blanking Cap** – Closes 5" [127mm] hole in duct.

### Catalog No./Item

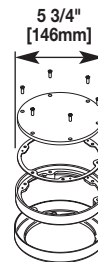
14H-1

### Description/Specifications

**Hand Hole Access Unit** – Hand hole units are installed on No. 4 Duct to facilitate feeding and splicing of wire and cable. 6 15/16" [176mm] distance between duct ends. 5 3/4" [146mm] diameter cover plate. Includes 1" [25mm] standard extension. For concrete pours over 1" [25mm] an extension ring is required.

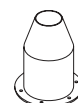


H14ABD



**Afterset Access Assembly** – Provides access to pull large number of cables out of duct at one activation. Neoprene boot to protect wires not included. Requires 5" [127mm] hole in duct. Can be used as an afterset or preset on No. 4 Duct. For concrete pours over 1" [25mm] an extension ring is required. See Cat. No. 6AER- rings on page 9.

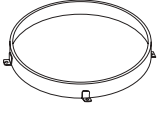

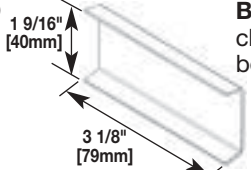
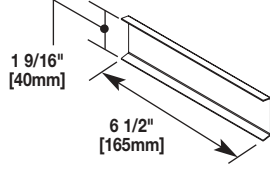
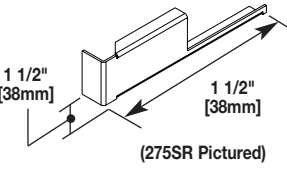
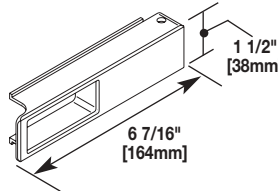
H14-BA



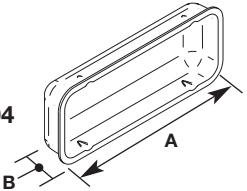
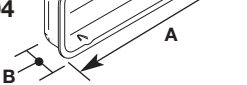
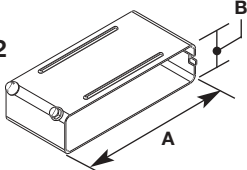
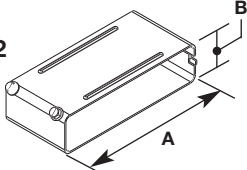
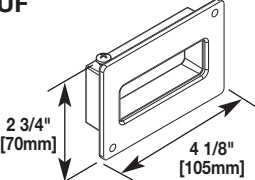
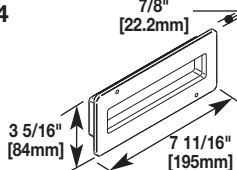
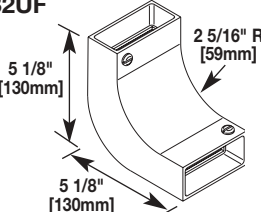
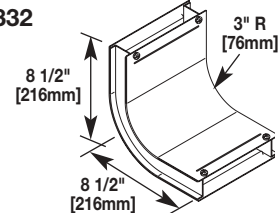

**Afterset Access Assembly with Neoprene Boot** – Used with H14ABD to protect cables coming out of duct.



## Junction Box Accessories (Continued)

Catalog No./Item	Description/Specifications																																																							
<b>6AER-11/2 – 21/8</b> <b>6AER-23/8 – 3</b> 	<b>Adjustable Extension Ring</b> - For 142L-1, H338AU-1, H14-AS, and 14H-1 Boxes. Suffix refers to adjustable height range. Select hardware bag below to attach ring to box.																																																							
<b>AERHB-120</b> -128 -144 -152 -052 	<b>Hardware Bag</b> - For adjustable extension ring. Suffix indicates depth of concrete over duct. Use chart below to determine hardware bag required for 142L-1, H338AU-1, H14-AS, and 14H-1 Boxes.																																																							
<table border="1" style="margin: auto; border-collapse: collapse;"> <thead> <tr> <th rowspan="2">Hardware Bag Cat. No.</th> <th colspan="7">Concrete Depth Over Duct</th> </tr> <tr> <th>1 1/2"</th> <th>1 5/8"</th> <th>1 3/4"</th> <th>1 7/8"</th> <th>2"</th> <th>2 1/8"</th> <th>2 3/8" - 3"</th> </tr> </thead> <tbody> <tr> <td>AERHB-120</td> <td style="text-align: center;">X</td> <td style="text-align: center;">X</td> <td></td> <td></td> <td></td> <td></td> <td></td> </tr> <tr> <td>AERHB-128</td> <td></td> <td></td> <td style="text-align: center;">X</td> <td style="text-align: center;">X</td> <td></td> <td></td> <td></td> </tr> <tr> <td>AERHB-144</td> <td></td> <td></td> <td></td> <td></td> <td style="text-align: center;">X</td> <td></td> <td></td> </tr> <tr> <td>AERHB-152</td> <td></td> <td></td> <td></td> <td></td> <td></td> <td style="text-align: center;">X</td> <td></td> </tr> <tr> <td>AERHB-052</td> <td></td> <td></td> <td></td> <td></td> <td></td> <td></td> <td style="text-align: center;">X</td> </tr> </tbody> </table>		Hardware Bag Cat. No.	Concrete Depth Over Duct							1 1/2"	1 5/8"	1 3/4"	1 7/8"	2"	2 1/8"	2 3/8" - 3"	AERHB-120	X	X						AERHB-128			X	X				AERHB-144					X			AERHB-152						X		AERHB-052							X
Hardware Bag Cat. No.	Concrete Depth Over Duct																																																							
	1 1/2"	1 5/8"	1 3/4"	1 7/8"	2"	2 1/8"	2 3/8" - 3"																																																	
AERHB-120	X	X																																																						
AERHB-128			X	X																																																				
AERHB-144					X																																																			
AERHB-152						X																																																		
AERHB-052							X																																																	
<b>203UFD</b> 	<b>Blank Washer</b> - For closing unused junction box No. 2 Duct opening.																																																							
<b>H203</b> 	<b>Blank Washer</b> - For closing unused junction box No. 4 Duct opening.  <b>NOTE:</b> Use Cat. No. H202 Blank Washer for 142L and 14H Junction Boxes.																																																							
<b>275SL (left-hand)</b> <b>275SR (right-hand)</b> 	<b>Adapter</b> - To reduce a No. 4 Duct opening in a junction box to a No. 2 Duct opening. Specify left or right hand.																																																							
<b>276</b> 	<b>Adapter</b> - Used with 142L and 14H Junction Boxes. Reduces No. 4 Duct opening to No. 2 Duct. Maintains 1" [25mm] spacing between ducts. For center opening in adapter use Cat. No. 277.																																																							

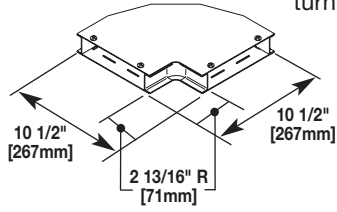
## Duct Closures, Elbows and Offsets

Catalog No./Item	Description/Specifications
<b>304</b> 	<b>Duct End Plug</b> - To seal end of No. 2 Duct. A = 3 1/8" [79mm]; B = 1 1/4" [32mm].
<b>H304</b> 	<b>Duct End Plug</b> - To seal end of No. 4 Duct. A = 6 1/2" [165mm]; B = 1 1/2" [38mm].
<b>302</b> 	<b>Coupling</b> - To couple two No. 2 Ducts. A = 3 1/4" [83mm]; B = 1 3/8" [38mm].
<b>H302</b> 	<b>Coupling</b> - To couple two No. 4 Ducts. A = 6 9/16" [167mm]; B = 1 9/16" [40mm].
<b>334UF</b> 	<b>Panel Connector</b> - Secures No. 2 Duct to cabinet.
<b>H334</b> 	<b>Panel Connector</b> - Secures No. 4 Duct to cabinet.
<b>332UF</b> 	<b>90° Vertical Elbow</b> - Creates 90° vertical turn in No. 2 Duct.
<b>H332</b> 	<b>90° Vertical Elbow</b> - Creates 90° vertical turn in No. 4 Duct.
<b>338UF</b> 	<b>90° Horizontal Elbow</b> - Creates 90° horizontal turn in No. 2 Duct.

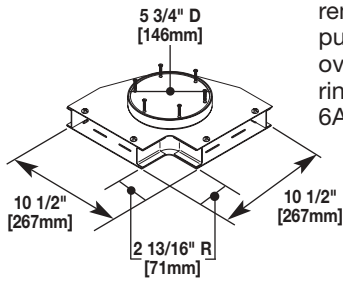
## Duct Closures, Elbows and Offsets (Continued)

**Catalog No./Item**      **Description/Specifications**

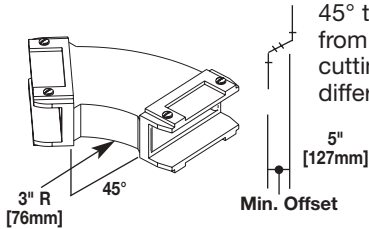
**H338**      **90° Horizontal Elbow –**  
Creates 90° horizontal turn in No. 4 Duct.



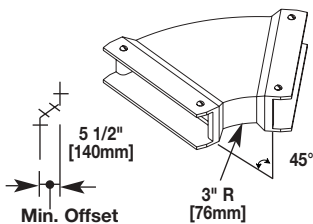
**H338AU-1**      **90° Horizontal Elbow with Access Unit –** Used to make 90° horizontal turn in No. 4 Duct. Access cover can be removed to facilitate wire pulling. For concrete pours over 1" [25mm] an extension ring is required. See Cat. No. 6AER- rings on page 9.



**342UF**      **Adjustable Horizontal Elbow –**  
No. 2 Duct elbow angled for 45° turn. Angle may be varied from 22 1/2° to 67 1/2° by cutting duct ends at different angles.

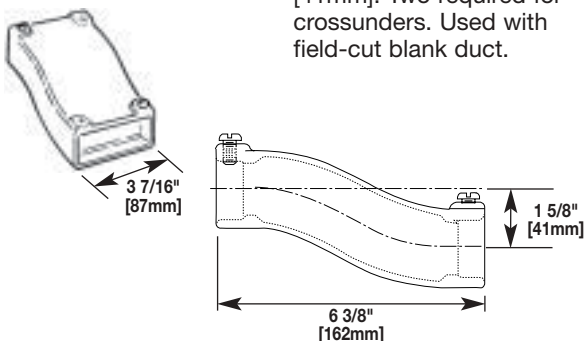


**H342**      **Adjustable Horizontal Elbow –**  
No. 4 Duct elbow angled for 45° turn. Angle may be varied from 22 1/2° to 67 1/2° by cutting duct ends at different angles.



**372 For No. 2 Duct**      **Offset –** Used to raise or lower a run of duct by 1 5/8" [41mm]. Two required for crossunders. Used with field-cut blank duct.

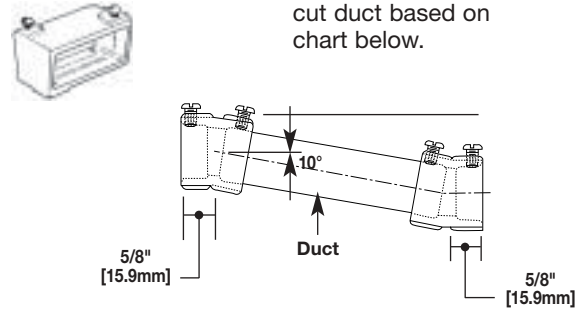
**H372 For No. 4 Duct**



**Catalog No./Item**      **Description/Specifications**

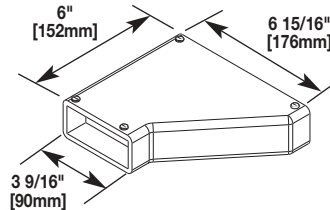
**375 For No. 2 Duct**      **Variable Offset –** Used to raise or lower a run of duct from 5/16" [7.9mm] to 3 1/2" [89mm]. Field cut duct based on chart below.

**H375 For No. 4 Duct**



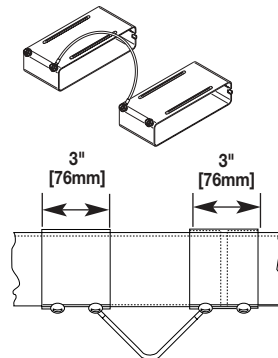
FOR OFFSET	DUCT CUT (LENGTH)	FOR OFFSET	DUCT CUT (LENGTH)
5/16" [7.9mm]	1 3/8" [35mm]	1" [25mm]	5 3/8" [137mm]
3/8" [9.5mm]	1 3/4" [44mm]	1 1/4" [32mm]	6 13/16" [173mm]
7/16" [11.1mm]	2 1/8" [54mm]	1 1/2" [38mm]	8 1/4" [210mm]
1/2" [12.7mm]	2 1/2" [64mm]	1 3/4" [45mm]	9 11/16" [246mm]
9/16" [14.3mm]	2 7/8" [73mm]	2" [51mm]	11 1/4" [286mm]
5/8" [15.9mm]	3 1/4" [83mm]	2 1/4" [57mm]	12 9/16" [319mm]
11/16" [17.5mm]	3 1/2" [89mm]	2 1/2" [64mm]	14" [356mm]
3/4" [19.1mm]	3 7/8" [98mm]	2 3/4" [70mm]	15 7/16" [392mm]
13/16" [20.6mm]	4 1/4" [108mm]	3" [76mm]	16 7/8" [429mm]
7/8" [22.2mm]	4 5/8" [118mm]	3 1/4" [83mm]	18 5/16" [465mm]
15/16" [23.8mm]	5" [127mm]	3 1/2" [89mm]	19 3/4" [502mm]

**300-4**      **Adapter Coupling –** Couples No. 2 Duct to No. 4 Duct.



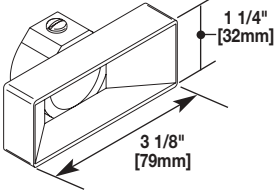
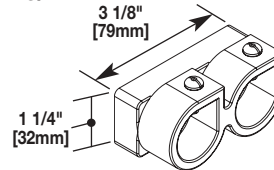
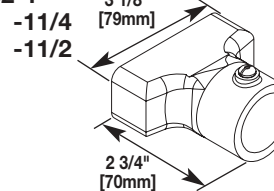
**382 For No. 2 Duct**      **Expansion Joint Sleeves –** Slip over two sections of duct. Outside screws fasten and ground sleeves to duct. Amount of expansion is determined by gap allowed between duct sections.

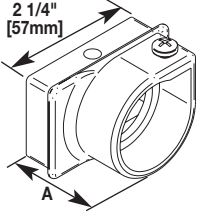
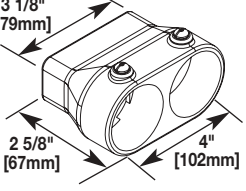
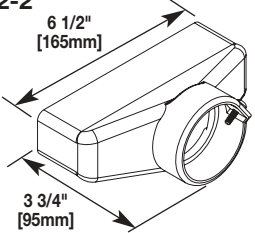
**H382 For No. 4 Duct**



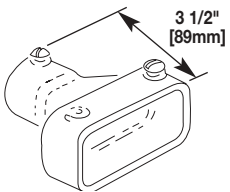
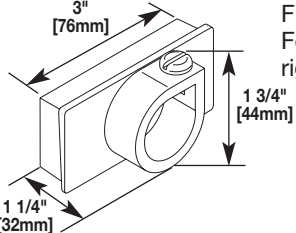
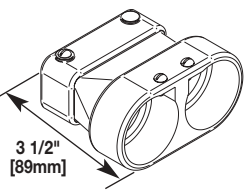
## Junction Box Conduit Adapters

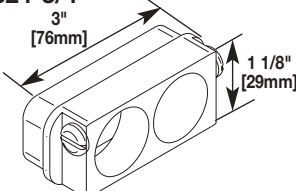
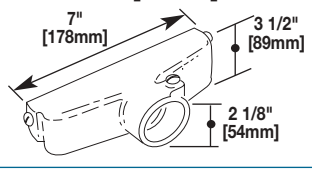
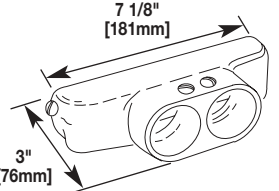
*Important!*  
The conduit adapters in this section will fit directly into the duct openings in the junction boxes. All other conduit adapters require a field cut piece of duct to transition from junction box opening to adapter.

Catalog No./Item	Description/Specifications
<b>212-3/4</b> 	<b>Adapter</b> – For No. 2 Duct opening to one 3/4" trade size conduit.
<b>222-3/4</b> 	<b>Adapter</b> – For No. 2 Duct opening to two 3/4" trade size conduits.
<b>232-1</b> -11/4 -11/2 	<b>Male Adapter</b> – For No. 2 Duct opening to one conduit. Suffix indicates conduit trade size.

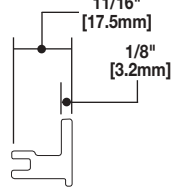
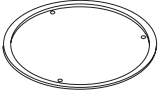
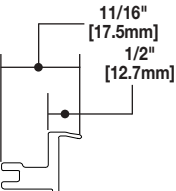
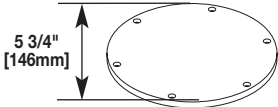
Catalog No./Item	Description/Specifications													
<b>255-3/4</b> -1 -11/4 -11/2 -2 	<b>Box Conduit Corner Adapter</b> – For one rigid or PVC conduit. Suffix denotes trade size.	<table border="1" style="width: 100%; border-collapse: collapse;"> <thead> <tr> <th style="width: 60%;">CONDUIT ADAPTER</th> <th style="width: 20%;">Inches</th> <th style="width: 20%;">A [mm]</th> </tr> </thead> <tbody> <tr> <td>255-3/4, -1</td> <td>1 7/8</td> <td>[48]</td> </tr> <tr> <td>255-1 1/4, -1 1/2</td> <td>2 1/4</td> <td>[57]</td> </tr> <tr> <td>255-2</td> <td>2 3/4</td> <td>[70]</td> </tr> </tbody> </table>	CONDUIT ADAPTER	Inches	A [mm]	255-3/4, -1	1 7/8	[48]	255-1 1/4, -1 1/2	2 1/4	[57]	255-2	2 3/4	[70]
CONDUIT ADAPTER	Inches	A [mm]												
255-3/4, -1	1 7/8	[48]												
255-1 1/4, -1 1/2	2 1/4	[57]												
255-2	2 3/4	[70]												
<b>242-11/4</b> 	<b>Male Adapter</b> – For No. 2 Duct opening to two 1 1/4" trade size conduits.													
<b>H232-2</b> 	<b>Male Adapter</b> – For No. 4 Duct opening to one 2" trade size conduit.													

## Duct Conduit Adapters



Catalog No./Item	Description/Specifications
<b>312-3/4</b> [19.1mm] -1 [25mm] -11/4 [32mm] -11/2 [38mm] -2 [51mm] 	<b>Female Conduit Adapter</b> – Fits on outside of No. 2 Duct. For one rigid or PVC conduit.
<b>314-3/4</b> 	<b>Male Conduit Adapter</b> – Fits into end of No. 2 Duct. For one 3/4" trade size rigid or PVC conduit.
<b>322-11/4</b> [32mm] -11/2 [38mm] 	<b>Female Conduit Adapter</b> – Fits on outside of No. 2 Duct. For two rigid or PVC conduits. Suffix indicates conduit trade size.

Catalog No./Item	Description/Specifications	
<b>324-3/4</b> 	<b>Male Conduit Adapter</b> – Fits into end of No. 2 Duct. For two 3/4" trade size rigid or PVC conduits.	
<b>H312-3/4</b> [19.1mm] -1 [25mm] -11/4 [32mm] -11/2 [38mm] -2 [51mm] 	<b>Female Conduit Adapter</b> – Fits on outside of No. 4 Duct. For one rigid or PVC conduit. H322-11/2 with one opening plugged is used for H312-11/2.	<p><i>Note:</i> For H312-2 this dimension is 2 1/2" [64mm].</p>
<b>H322-1</b> [25mm] -11/4 [32mm] -11/2 [38mm] -2 [51mm] 	<b>Female Conduit Adapter</b> – Fits on outside of No. 4 Duct. For two rigid or PVC conduits. Suffix indicates conduit trade size.	

## Walkerduct Junction Box Finishing Accessories (Continued)

Catalog No./Item	Description/Specifications	Catalog No./Item	Description/Specifications		
<b>FT6-*</b> <b>FT10-*</b> <b>FT15-*</b> <b>FT18-*</b> <b>FT21-*</b>	<b>For 12JS boxes and 222JS boxes</b> <b>For 14JS and 3222JS boxes</b> <b>For 224JS and 3224JS boxes</b> <b>For 244JS and 3224JS boxes</b> <b>For 3424JS and 3244JS boxes</b>	<b>Flangeless Tile or Carpet Trim</b> – For square junction box. Aluminum extrusion. *Specify 1/8" [3.2mm] or 1/4" [6.4] trim heights. For example: FT6-1/4. <div style="text-align: center;">  <p>Sectional View Shown</p> </div>	<b>SFCB5-*</b> <b>SFCB9-*</b> <b>SFCB14-*</b> <b>SFCB17-*</b> <b>SFCB20-*</b>	<b>For 12JR boxes. For 14JR and 222JR boxes. For 224JR and 3222JR boxes. For 244JR and 3224JR boxes. For 3424JR and 3244JR boxes.</b>	<b>Single Flanged Carpet or Tile Holder</b> – For round junction box cover plate. Specify S for Steel or B for Brass. *Specify 1/8" [3.2mm] or 1/4" [6.4mm] height. (i.e. SFCB5-1/4). <p><i>NOTE: Other depths available - Consult factory for availability.</i></p> <p><b>Stainless Steel:</b> Same as above – Change B to S.</p> <div style="text-align: center;">  </div>
<b>CT6-*</b> <b>CT10-*</b> <b>CT15-*</b> <b>CT18-*</b> <b>CT21-*</b>	<b>For 12JS boxes and 222JS boxes</b> <b>For 14JS and 3222JS boxes</b> <b>For 224JS and 3222JS boxes</b> <b>For 244JS and 3224JS boxes</b> <b>For 3424JS and 3244JS boxes</b>	<b>Flanged Tile or Carpet Trim</b> – For square junction box. Aluminum extrusion. *Specify 1/8" [3.2mm] or 1/4" [6.4mm] trim heights. For example: CT6-1/4. <div style="text-align: center;">  <p>Sectional View Shown</p> </div>	<b>6LHS-1/8</b>  <b>12S-CVRPLT</b>	<b>Single Flanged Carpet or Tile Holder</b> – For 142L-1, H338AU-1, H14-AS, H14ABD, and 14H-1 boxes.  <b>Replacement Cover Plate</b> – For 142L-1, H14-AS, H14ABD, H338AU-1, and 14H-1 products. <div style="text-align: center;">  </div>	

## Walkerduct Installation Products

Catalog No./Item	Description/Specifications	Catalog No./Item	Description/Specifications
<b>480</b> <div style="text-align: center;">  </div>	<b>Electronic Insert Finder</b> – Used to locate preset inserts which are buried in concrete. Magnetic field locates mudcap in concrete.	<b>290G</b> <div style="text-align: center;">  </div>	<b>Waterproof Sealing Compound</b> – One gallon [3.8L] will seal approximately 100 couplings, (12) three-duct boxes, (25) two-duct boxes, or (50) single-duct boxes.

## Service Fitting Options

A wide range of service fittings are available to meet all applications: See noted literature for detailed information.

- Flush brass, brushed aluminum and polycarbonate fittings (ED850).
- Flush carpet activation plates (ED850).
- 525 Series pedestal fittings (ED1225).
- Multiplex service fittings (ED667).
- 1200 Series pedestal service fittings (ED666).

**IMPORTANT!**

*Triple-gang flush activations are not compatible with 3244 and 3444 System layouts. Use combination of single- and two-gang activations to access all three ducts at one point.*



*Flush and Pedestal service fittings to meet all applications.*

**To Wiremold.com**
  
 Editable Guide Form Specs  
 CAD Drawings

# WIREMOLD



**Wiremold / Legrand**

*U.S. and International:*

60 Woodlawn Street • West Hartford, CT 06110

1-800-621-0049 • FAX 860-232-2062 • Outside U.S. 860-233-6251

*Canada:*

570 Applewood Crescent • Vaughan, Ontario L4K 4B4

1-800-723-5175 • FAX 905-738-9721

**ED830R10** – Updated May 2007 – For latest specs visit [www.wiremold.com](http://www.wiremold.com)

