

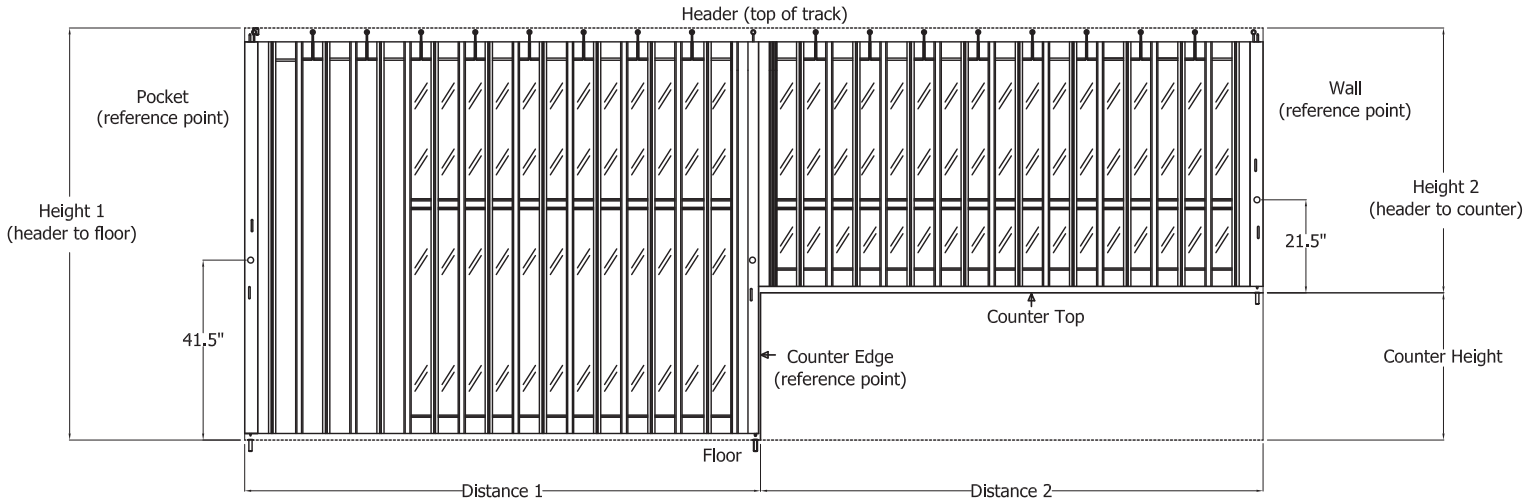
**Store Name:** \_\_\_\_\_ **Store Number:** \_\_\_\_\_

**Color** (circle one): WHITE / ANODIZED

**Style** (circle one): Q-CLEAR / Q-SOLID

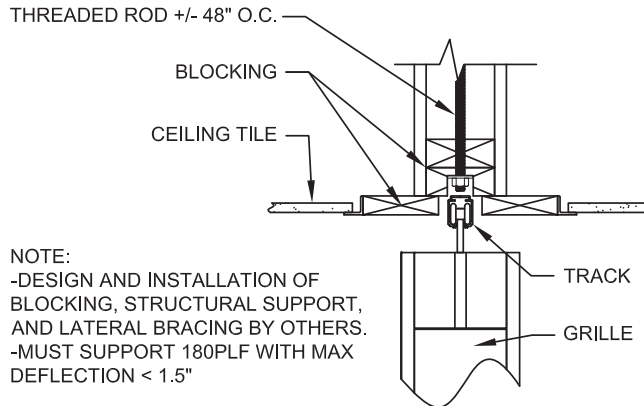
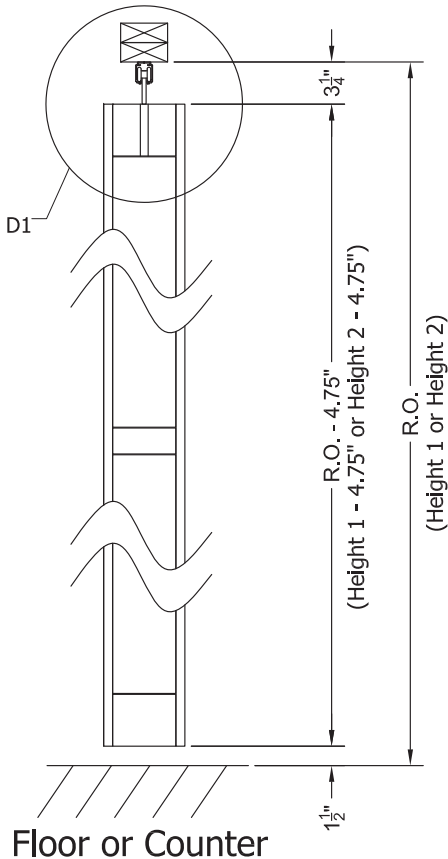
**Height** (if all same): \_\_\_\_\_

*Note: measure height from header to floor or counter*



Must pull from the side of the taller height towards the shorter height. (pictured above: pull left to right)  
Only one track level per curtain, height differences are only allowed from the bottom.

### Header



**D1** \_\_\_\_\_

If there are any height changes, please provide below.

Height: \_\_\_\_\_ for distance: \_\_\_\_\_ for reference point: \_\_\_\_\_

Height: \_\_\_\_\_ for distance: \_\_\_\_\_ for reference point: \_\_\_\_\_

Height: \_\_\_\_\_ for distance: \_\_\_\_\_ for reference point: \_\_\_\_\_

# Side Folding Grille Order Form

1



#1 WALL STRIKE  
 - LATCH TO WALL STRIKE.  
 - WALL STRIKE SECURED TO WALL. 2X BACKING BY OTHERS REQUIRED.  
 - CYLINDER(S) FOR SHOOTBOLT TO FLOOR AND TRACK, AS WELL AS FOR THE HOOK LOCK.

2



#2 END POST  
 - CYLINDER(S) FOR SHOOTBOLT TO FLOOR AND TRACK

3



#3 MIDDLE POST  
 - CYLINDER(S) FOR SHOOTBOLT TO FLOOR ONLY

4



#4 BI-PART  
 - LATCH TO STRIKE  
 - CYLINDER(S) FOR SHOOTBOLT TO FLOOR AND TRACK

5



#5 POCKET RETAINED POST  
 - NO LOCKS  
 - STOP AT FLOOR AND TRACK IN CLOSET

6

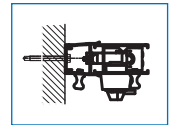


#6 FIXED END POST  
 - NO LOCKS  
 - SECURED TO WALL, 2X BACKING BY OTHERS REQUIRED

## Post Options:

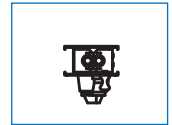
### 1 Wall Strike:

This allows a travelling end of a grille to be locked to a wall. The wall strike is secured to the wall (requires 2x backing by others), while the mating post on the end of the grille has shoot-bolts to the floor and track, as well as a hook lock which latches to the wall strike.



### 2 End Post:

This allows a travelling end of a grille to be pushed flush to a wall and locked into place without any work being done to that wall. This post has shoot-bolts to the floor and track.



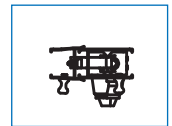
### 3 Middle:

Max span of grille without a post to secure it is 120"; these posts provide a locking point for longer grilles. Middle posts have shoot-bolts to the floor only.



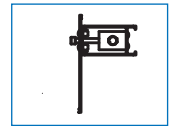
### 4 Bi-Part:

This allows a grille to be opened from the middle, and also allows for longer grilles to be stored in two pockets. The leading edge of one half has a post with shoot-bolts to floor and track as well as hook lock which latches to a strike on the leading edge of other half of the curtain.



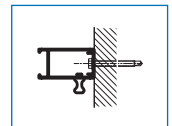
### 5 Pocket Retained:

This post remains retained within the pocket and requires no locks.



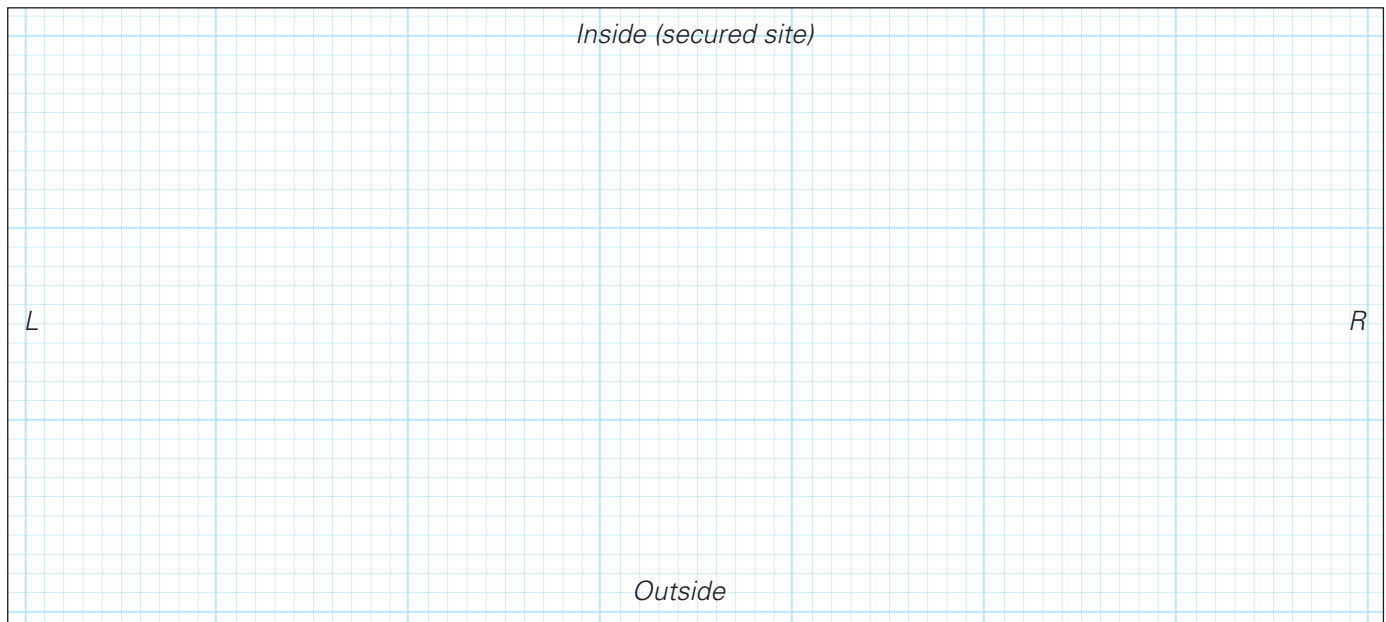
### 6 Fixed:

Used to anchor the end of a grille, usually when there is no pocket. The Fixed post is secured to the wall and has no locks. (requires 2x backing by others)



# Side Folding Grille Order Form

Sketch of layout (looking from top down):



**Left Post Type** (circle one): Fixed / Double Lock / Wall Strike / Pocket Retained  
 Inside Cylinders: Keyed / ThumbTurn / None  
 Outside Cylinders: Keyed / ThumbTurn / None

**Middle Posts** (circle one): Single Lock (standard) / Double Lock / Not Applicable  
 Inside Cylinders: Keyed / ThumbTurn / None  
 Outside Cylinders: Keyed / ThumbTurn / None

**Bi-part Curtain** (circle one): Yes / No / Not Applicable  
 Inside Cylinders: Keyed / ThumbTurn / None  
 Outside Cylinders: Keyed / ThumbTurn / None

**Right Post Type** (circle one): Fixed / Double Lock / Wall Strike / Pocket Retained  
 Inside Cylinders: Keyed / ThumbTurn / None  
 Outside Cylinders: Keyed / ThumbTurn / None

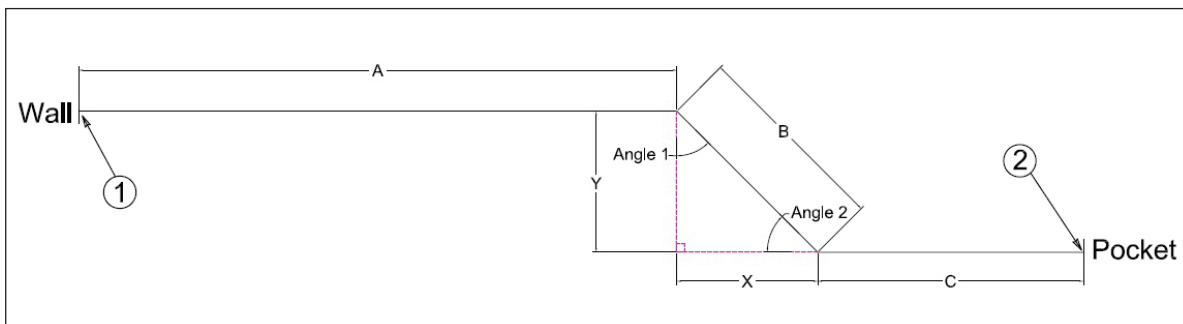


Figure 1: Example of a layout sketch showing the needed information.

# Side Folding Grille Order Form

## Style Options:

- Q-clear: Polycarbonate panels provide visibility while maintaining a resistant barrier.
- Q-solid: Solid aluminum curtain with no visibility through the grille.

## Pocket Details:

- Minimum Width: 10"
- Depth Required: Roughly 2" per linear foot of curtain.

## Lock Heights:

- If over counter: Lock cylinder height is 21.5" from top of counter.
- If all over floor: Lock cylinder height is 41.5" from floor.

## Lock Options:

- Double Lock: Typically used in posts at a free end of a grille for greater security. Has shootbolts to both the floor and track.
- Single Lock: Used in Mid Posts. Has a shootbolt to the floor only.

## Track:

- Radius Options: 14" Radius at 45\* or 90\*
- 24" Radius at 45\* or 90\*

## General Notes:

- Design and installation of the support header is by others.
- Header and related structure must support 180PLF with max deflection < 1"
- An 8" minimum clear path is required.
- Provide any information necessary to layout the track in the layout sketch.

## Special Notes:

---

---

---

---

---

---

---

---

---

---

## QMI Security Solutions

1661 GLENLAKE AVE • ITASCA, IL. 60143  
(800) 446-2500 • International: 00 1 630 529 7111

[www.qmiusa.com](http://www.qmiusa.com)