

Superior Structural Standing Seam Roof Systems



OUR PANELS MAKE THE *difference*





The Strongest Standing Seam Roof System You Can Get

You won't find a better roof system than a preformed metal standing seam roof system. And, MBCI offers you a choice of six systems that are unsurpassed in the industry.

Each MBCI SSR system was designed from concept to installation for strength, durability and weatherability. These qualities were proven by earning numerous UL 90 ratings and by time-tested projects in the field.

Ideal for Reroofing

Reroofing existing buildings is an efficient method of extending the life of any structure. In most instances, an MBCI standing seam roof system can be installed directly over the existing roof with minor modifications, which means no work interruption for the building owner. A qualified structural engineer should be consulted for any modifications to be performed.

Reroofing existing buildings is not only efficient, but it can also give a completely different look to the structure. By adding a steeper slope and a painted MBCI standing seam roof system, a leaky, expensive roof can be converted into a showplace.

Testing Credentials

To ensure that the MBCI standing seam roof system is everything needed in a roof, we constantly test each system for reliability and weatherability over different structural framing systems such as purlins, bar joists, metal deck and plywood. As a result, each system carries Underwriters Laboratories Fire Resistance, UL 90 Wind Uplift ratings and ASTM E1592 Structural Performance Uplift data. Appropriate construction numbers can be found in the UL Directories under the "Metal Roof Deck Panel" section or call MBCI for this information. In addition, independent test laboratories have tested each system for water penetration per ASTM E1646 and air infiltration per ASTM E1680.

Weathertight Roof Systems

A standing seam roof system is one of the most durable and weathertight roof systems available in the roofing industry.

Special clips are available allowing for thermal roof expansion and contraction during extreme temperature changes. All trim is both weathertight and aesthetically pleasing, giving the roof a nice finished appearance. Also, excluding endlaps, the only panel penetration required is outside the building envelope. The endlaps are tightly sealed using specially designed components or by swaging the panels.

Factory-applied sealant in the panel sidelap ensures a tight, secure weathertight lap whether it is a snap-together system or a field-seamed system.

Complete Systems

Each MBCI roof system is a complete system. MBCI offers all necessary components, including color matched standard and custom trim, concealed floating clips, long life fasteners and back-up plates for use at the endlap and ridge. Panels include factory-applied sealant in the sidelap to resist air and water infiltration and can be notched for endlaps.

Green

MBCI's metal roofs are energy efficient, recyclable, durable, lightweight and cost effective. Our panels are made from 25-35 percent recycled materials and are 100 percent recyclable. Cool metal roofing offers energy savings benefiting both economical and environmental concerns. As a proud Energy Star Partner, many of our Cool Roof colors have reflectivity performance levels that meet Energy Star criteria for roof pitches greater than 2:12. In addition to potential energy savings, our products can help your project gain LEED points.



Quality Material

Except for Curved BattenLok®, which is available in 24-gauge only, MBCI SSR panels are available in 26-, 24- or 22-gauge Galvalume Plus®. The standard base metal is 24- or 22-gauge Galvalume Plus. Some products are also available in 26-gauge. Galvalume Plus® is a high-quality, cold-rolled sheet steel with a corrosion resistant metallic coating of aluminum and zinc. In addition, panel striations are standard on the vertical leg systems. To ensure that any exposed fastener will last as long as the roof, our standard offering is a zinc-aluminum alloy head fastener.

Paint Finishes

MBCI offers one of the largest color selections in the industry with a choice of three paint systems. Each standard color that MBCI offers qualifies as a Cool Roof in high-sloped roofs above 2:12.

Signature® 300 & Signature® 300 Metallic

This fluorocarbon paint system combines ceramic pigmentation with polyvinylidene fluoride (70% of resin solids) for a superior, long-lasting finish. Outstanding performance and durability are achieved through this proprietary resin technology. Signature® 300 is recognized as providing unsurpassed performance in critical areas such as color retention, film erosion rate and chemical resistance.

Signature® 200

Signature® 200 is a thermoset coating system composed of polyester resin modified by copolymerization with a functional silicone resin intermediate.

With high quality ceramic pigmentation, Signature® 200 offers optimum exterior protection plus superior resistance to chemical corrosion and ultraviolet radiation. Signature® 200 represents the most sophisticated silicone polyester coating system in the industry.

Design/Installation Manual

A thorough design and installation manual is available upon request for each MBCI standing seam roof system.

Load Tables

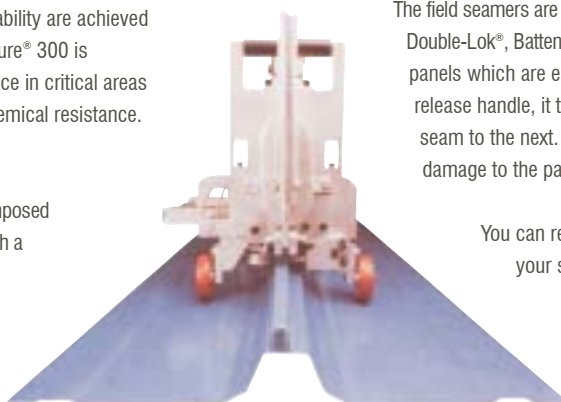
Allowable uniform live loads in pounds-per-square-foot and other engineering data are available upon request.

Specifications

MBCI has produced suggested specifications for each roof system option. These are available upon request.

Easy to Use Field Seamer

The field seamers are available from MBCI for a rental charge for the Double-Lok®, BattenLok® HS, SuperLok® and Curved BattenLok® panels which are easy to use and maneuver. Using the quick-release handle, it takes about five seconds to move from one seam to the next. Weathertight seams are made without damage to the panel finish.

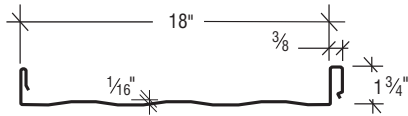


You can rely on MBCI for the technological support so your standing seam roof project is a success.

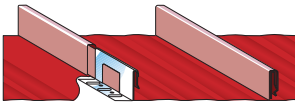
PRODUCT REFERENCE CHART

| | Vertical Leg | Trapezoidal Leg | Snap Together | Field Seamed | Minimum Roof Slope | Transition | Widths Available | LTPs | Striations | Clips Available | Seam Height | Prepunched Endlaps | Swaged Endlaps |
|-------------------|--------------|-----------------|---------------|--------------|--------------------|------------|-------------------------|------|------------|--|-------------|--------------------|----------------|
| Ultra-Dek® | No | Yes | Yes | No | 1/4:12 | No | 24", 18", 12" | Yes | No | High/Low-Fixed High/Low-Sliding Utility | 3" | Yes | No |
| Double-Lok® | No | Yes | No | Yes | 1/4:12 | No | 24", 18", 12" | Yes | No | High/Low | 3" | Yes | No |
| BattenLok® HS | Yes | No | No | Yes | 1/2:12 | Yes | 16", 12" Nominal 18" | Yes | Yes | High/Low-Fixed High/Low-Floating Utility | 2" | Yes | Yes |
| SuperLok® | Yes | No | No | Yes | 1/2:12 | No | 16", 12" | Yes | Yes | High/Low-Fixed High/Low-Floating Utility | 2" | Yes | Yes |
| Curved BattenLok® | Yes | No | No | Yes | 20' Radius | No | 16" | No | Yes | High/Low-Fixed High/Low-Floating Utility | 2" | No | No |
| LokSeam® | Yes | No | Yes | No | 3:12 | Yes | 18", 16", 12" | No | Yes | Standard Clip UL 90 Clip | 1 3/4" | Yes | Yes |

LokSeam®

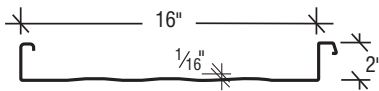


12" and 16" also available

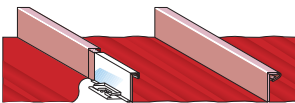


LokSeam® Interlock

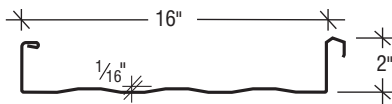
BattenLok® HS, SuperLok® Curved BattenLok®



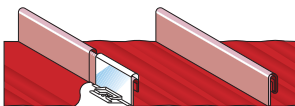
12" also available



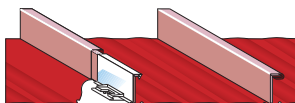
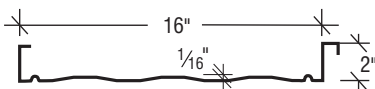
BattenLok® HS Interlock



12" also available



SuperLok® Interlock



Curved BattenLok® Interlock

Consult the MBCI DESIGN/INSTALLATION INFORMATION MANUAL for proper application and design details and other product information.



Vertical Leg Structural Standing Seam Roof Systems

The LokSeam®, BattenLok® HS, SuperLok® and Curved BattenLok® standing seam roof systems blend the aesthetics of an architectural panel with the strength of a structural panel. These panels have earned several uplift ratings assuring the reliability of performance. The designer is afforded a flexible tool to meet any design challenge.

Architectural/Structural Panels

LokSeam® is a snap-together system that can accommodate transitions from roof to fascia for a continuous, uninterrupted appearance. A die-formed rib cover is available for use with this detail. BattenLok® HS is a field-seamed system that is also capable of transitioning from roof to fascia. Die-formed rib covers are also available for this product. SuperLok® is a field-seamed panel that combines a slim rib with exceptional uplift resistance. This panel has been designed to withstand the most rigorous conditions. Each of these systems features factory-installed mastic to ensure weathertight seams. Curved BattenLok®, available in 16", may be curved to a minimum radius of 20', and being a structural panel, may be installed over open framing or solid decking. Striations are standard for added aesthetic value.

Concealed Fastening System

A choice of concealed fastening clips is available for each panel system including UL rated clips. These clips hold the panels firmly in place without unsightly exposed fasteners. Each clip system offers the ability to accommodate thermal movement.

Uplift Ratings

Each system carries the Underwriters Laboratories (UL 90) Fire Resistance and Wind Uplift ratings covering a wide range of roof designs. In addition, the SuperLok® system meets a variety of ratings as tested under Factory Mutual Research Corporation Standard 4471. The BattenLok® HS, SuperLok® and Curved BattenLok® systems have met all test requirements specified in CEGS 07416/ASTM E1592 Standing Seam Metal Roof System guide specification. Contact MBCI for information relating to each panel profile.

Application

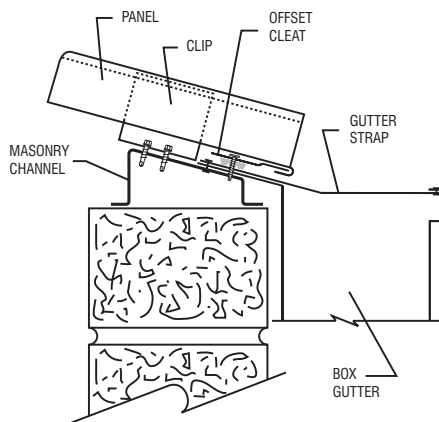
Each of these systems is designed to be installed over open framing. However, the MBCI LiteFrame®, 5/8" plywood or a composite roof assembly may be used as alternate substructures. LokSeam® must be installed on roof slopes of 3:12 or greater. BattenLok® HS and SuperLok® must be installed on roof slopes of 1/2 :12 or greater.

Vertical Leg SSR / Typical Details

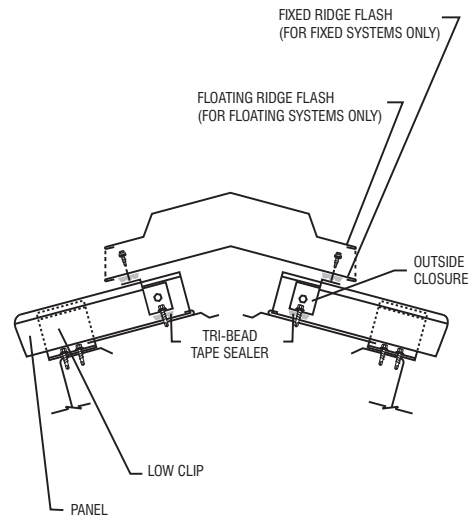
MBCI has complete design and technical information manuals on each SSR system available upon request.

For current information, visit our website at www.mbc.com

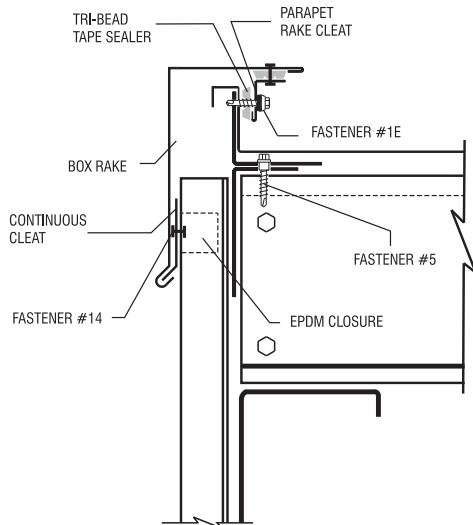
Eave with Gutter



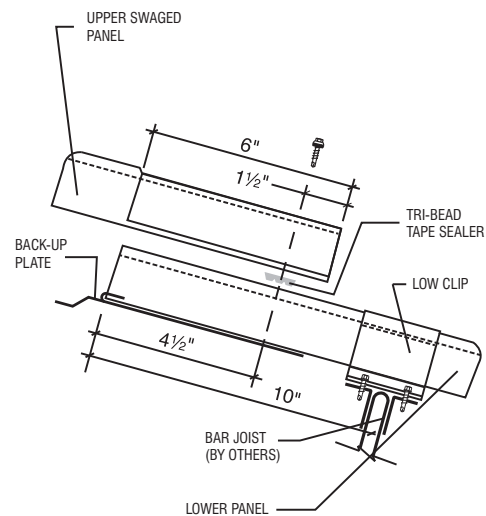
Ridge



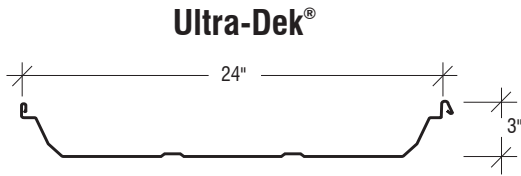
Rake



Endlap



Trapezoidal Structural Standing Seam Roof Systems



Ultra-Dek®
Snap-Together System
12" and 18" also available



Panel Interlock

The snap-together system, Ultra-Dek®, and field-seamed system, Double-Lok®, were designed from concept to installation for strength, durability and weatherability. The standing seams are three inches above the lowest part of the panel, well above the water level as it flows off the roof. The seams have factory-applied mastic to ensure a secure, weathertight seam.

Begins and Ends in a High

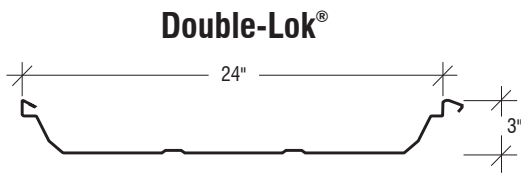
The rake/gable at both ends of each roof system finish with a 3" high standing seam, avoiding the necessity of finishing in the low, flat part of a panel where the greatest possibilities for leaks occur in most other systems.

Concealed Fastening System

The standard offering for the Ultra-Dek® and Double-Lok® systems is a sliding clip that allows for thermal movement. A 4" sliding clip is available for the Double-Lok® system, which can eliminate roof steps on a double slope building up to 900' wide or a single slope building up to 450' wide. These clips are available in high and low versions for use with different thicknesses of vinyl-backed fiberglass insulation.

Uplift Ratings

Both systems carry Underwriters Laboratories (UL 90) Fire Resistance and Wind Uplift ratings covering a wide range of roof designs. In addition, the Double-Lok® system meets Class 1-60, 1-90 and 1-105 ratings as tested under Factory Mutual Research Corporation Standard 4471. The Double-Lok® system has met all test requirements specified in CEGS 07416/ASTM E1592 Standing Seam Metal Roof System guide specification. Contact MBCI for parameters relating to each panel profile.



Double-Lok®
Field-Seamed System
12" and 18" also available



Panel Interlock

Application

Panels can be installed before or after the exterior walls are in place, and all trim is attached after the roof is installed. With a recommended minimum slope of 1/4 :12, these roof systems can be used on all types of construction—masonry, metal or wood—for either new construction or retrofit.

Consult the MBCI DESIGN/INSTALLATION INFORMATION MANUAL for proper application and design details and other product information.

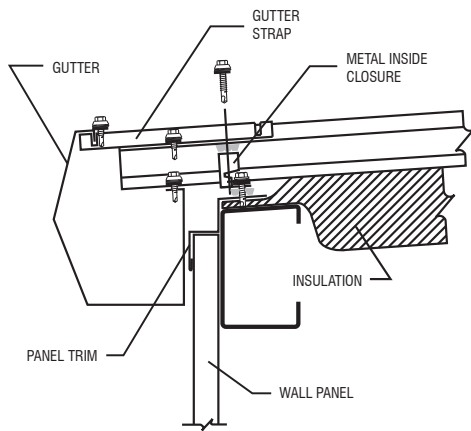


Trapezoidal SSR / Typical Details

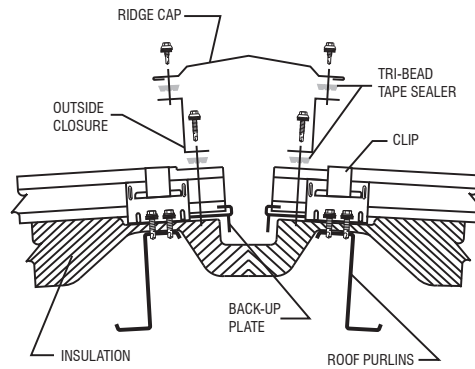
MBCI has complete design and technical information manuals on each SSR system available upon request.

For current information, visit our website at www.mbc.com

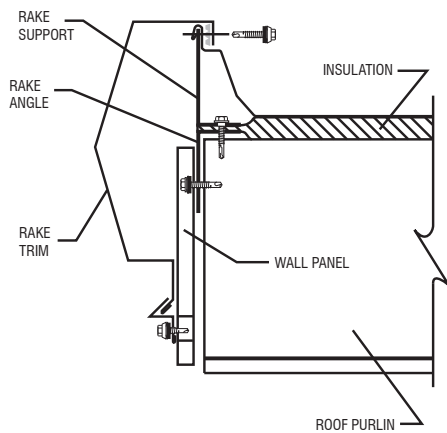
Eave With Gutter



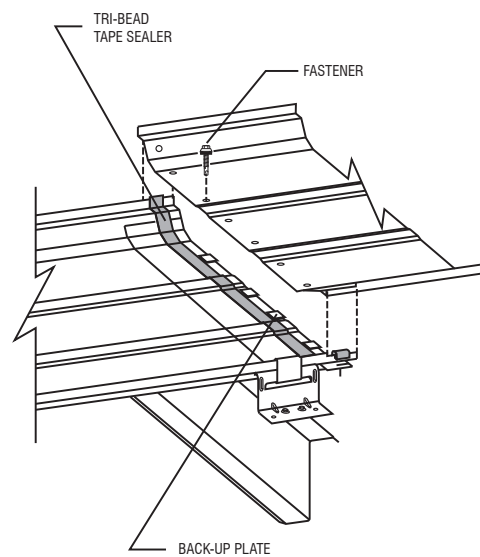
Ridge



Rake



Endlap





OUR PANELS MAKE THE *difference*



Houston, TX (Corporate) 877-713-6224 | Adel, GA 888-446-6224 | Atlanta, GA 877-512-6224
Atwater, CA 800-829-9324 | Dallas, TX 800-653-6224 | Indianapolis, IN 800-735-6224 | Lubbock, TX 800-758-6224
Memphis, TN 800-206-6224 | Oklahoma City, OK 800-597-6224 | Omaha, NE 800-458-6224
Phoenix, AZ 888-533-6224 | Richmond, VA 800-729-6224 | Rome, NY 800-559-6224 | Salt Lake City, UT 800-874-2404
San Antonio, TX 800-598-6224 | Tampa, FL (Sales Office) 800-359-6224

For current information, visit our website at www.mbc.com

Descriptions and specifications contained herein were in effect at the time this publication was approved for printing. In a continuing effort to refine and improve products, MBCI reserves the right to discontinue products at any time or change specifications and/or designs without incurring obligation. To ensure you have the latest information available, please inquire or visit our website at www.mbc.com. Application details are for illustration purposes only and may not be appropriate for all environmental conditions, building designs or panel profiles. Projects should be designed to conform to applicable building codes, regulations and accepted industry practices. If there is a conflict between this manual and project erection drawings, the erection drawings will take precedence.

