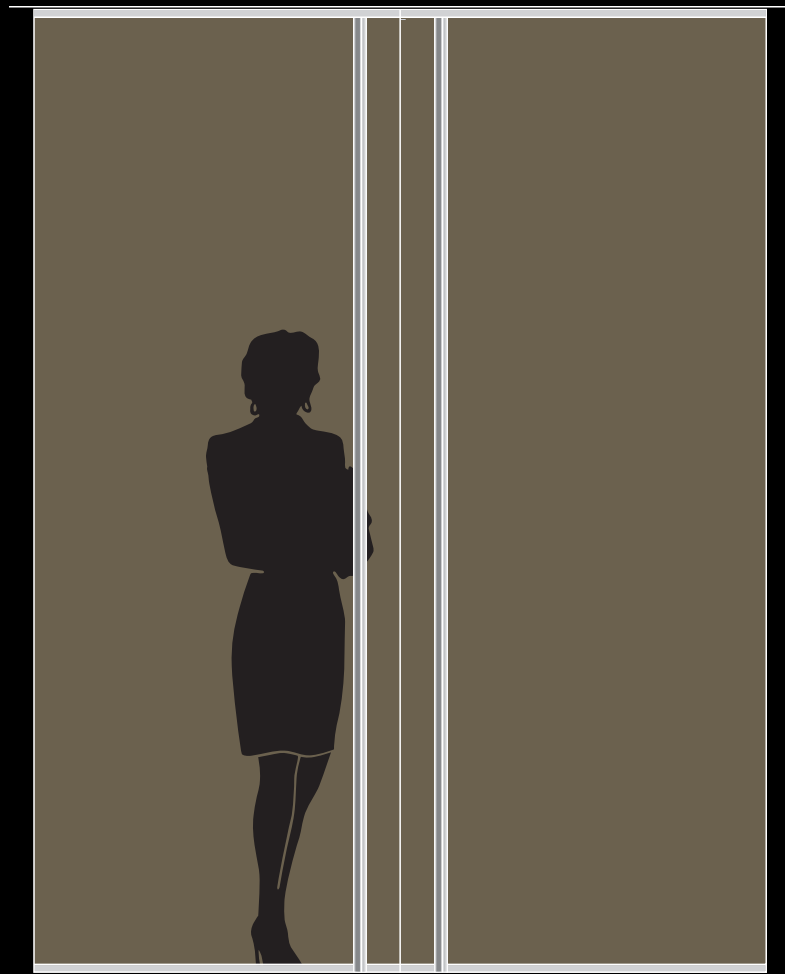


# B-2009

COPYRIGHT 2008

## TEMPERED GLASS DOORS PANIC AND DEADBOLT HARDWARE



1301 DOORS WITH FULL HEIGHT DEADBOLT HOUSINGS DB-130F  
SEE DETAILS ON PAGE D5



250 DOOR WITH PANIC DEVICE H-100A  
SEE DETAILS ON PAGE D16

THIS CATALOGUE IS PREPARED EXCLUSIVELY FOR THE ARCHITECTURAL PROFESSION

460 MELWOOD AVENUE PITTSBURGH, PA 15213-1195 TELEPHONE 412-681-2400 FAX 412-681-6840

E-mail (general Inquiries for quick response): [info@blumcraft.com](mailto:info@blumcraft.com)

E-mail (for drawings/engineering department): [eng@blumcraft.com](mailto:eng@blumcraft.com)

Visit our website at [www.blumcraft.com](http://www.blumcraft.com)

# The Evolution of Blumcraft



## The Early Years

Blumcraft's founder Hyman Blum, a young artisan from Latvia, immigrated to America in 1908. He was a highly skilled craftsman whose forte was hand-forged decorative wrought iron railings, gates, lighting fixtures, and ornamental hardware. His creativity with metals and the prudent business sense of his three sons, Max, Louis, and Harry facilitated the transition of the Hyman Blum Company into Blumcraft of Pittsburgh.

The Blum collection of exquisite metal treasures can be seen at the Heinz History Center in Pittsburgh.

## A New Era

During World War II, metal was not allowed to be used for decorative purposes, but after the war ended and the restrictions were lifted, Blumcraft pioneered the development of innovative adjustable aluminum handrail components. As architectural trends changed, Blumcraft again enhanced its leadership role in the industry by adding wood, glass, bronze, brass, and stainless steel to its product line. Following working relationships with PPG Industries and Libbey Owens Ford, Blumcraft launched new product lines, thanks in part to the

creativity of a brilliant designer, Bill Horgan. Tempered glass doors and attractive operating hardware once again established a higher level of architectural design acceptance.

## Blumcraft Today

Blumcraft of Pittsburgh continues to proudly manufacture fine top quality American made products. With the passing of Louis Blum, the last remaining partner, on March 31, 2004 at the age of 94, the Blumcraft legacy continues under the leadership of Myron Caplan and Rick Kremer. Having over 80 years of combined experience with the firm, these men will lead Blumcraft into the future.

As always, Blumcraft will assist architects by publishing catalogues in Sweets hard copy files, by maintaining up to date sections within the Sweets website, and by supporting its own online website, [www.blumcraft.com](http://www.blumcraft.com)

Throughout the years, architects have come to expect superb quality of design exhibited by tempered glass doors, architectural hardware, railing systems, and display case doors.

***Blumcraft of Pittsburgh will fulfill these expectations with service and quality!***

---

## Inside This Catalogue

### **Tempered Glass Doors**

3/4" High Rails—Series 1301 .....	3-8, 10-11
3-1/2" High Rails—Series 640C .....	14
Tall Rails—Series 640CH/640SH.....	15
Thin Vertical Stiles—Series 640S/640SH .....	15
Series 150/250 .....	16
Tall Doors—Series 860/1200 .....	17

### **Panic Hardware (Tubular)**

Top Latching H-100 .....	19-23
Bottom Latching H-110 .....	24, 25
Applications .....	30, 31

### **Deadbolt Hardware (Tubular)**

Top Bolt DB-100, DB-160, DB-170 .....	19-23, 27
Bottom Bolt DB-110, DB-140, DB-150.....	24, 25, 27
Top and Bottom Bolts DB-130.....	26
Applications .....	30, 31

### **Dummy Hardware (Tubular)**

Matching Panic and Deadbolt Hardware . . .	Refer to Panic and Deadbolt Pages
---	-----------------------------------

### **Interior Operating Handles (Tubular).....**

### **Exterior Pull Handles (Tubular).....**

### **Pull Handles (Non-Tubular).....**

### **Sidelights .....**

### **Floating Transom Bars .....**

### **Center Housings.....**

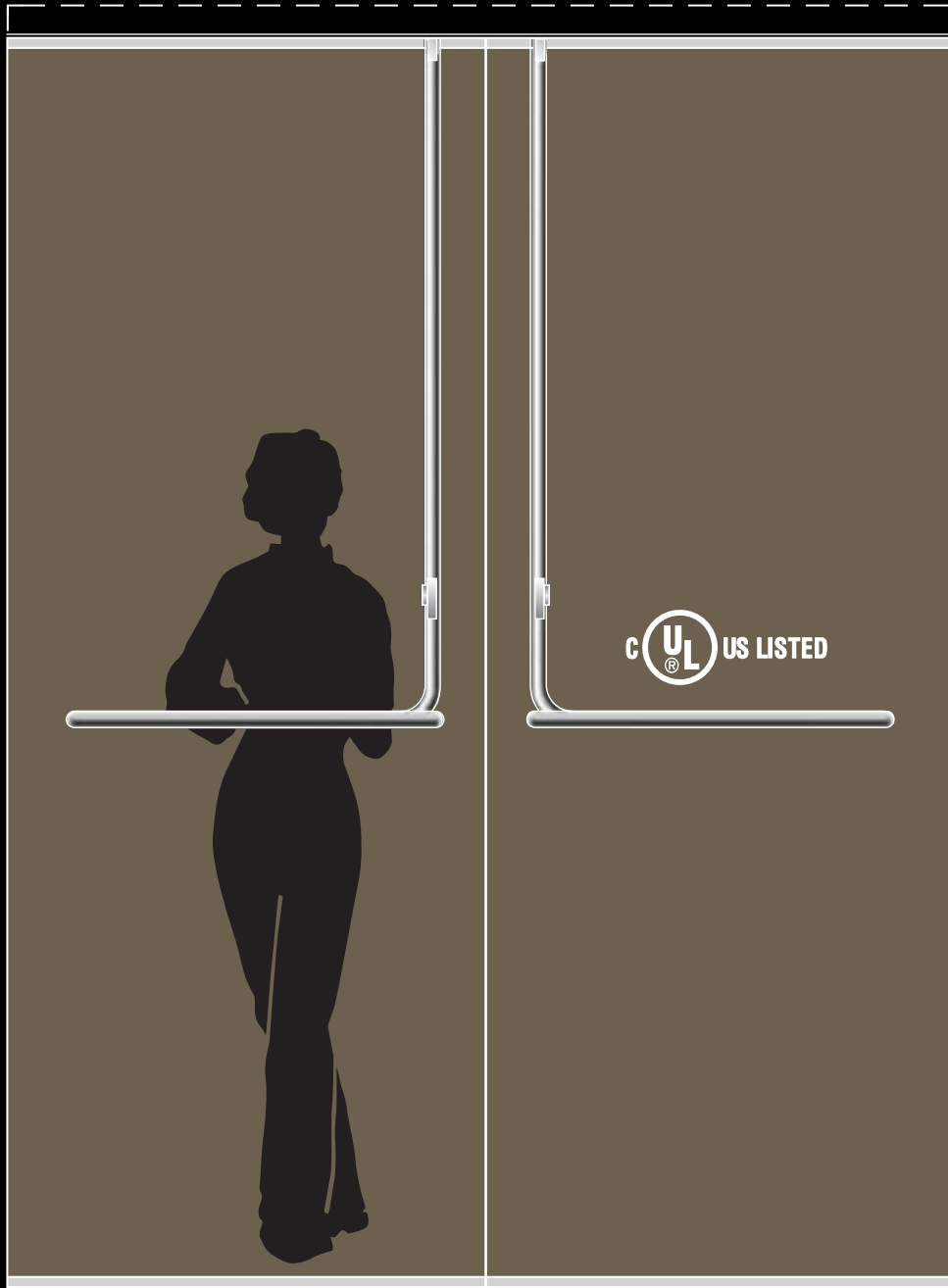
### **Thru-Glass and Rail Dead Locks.....**

### **Specifications .....**

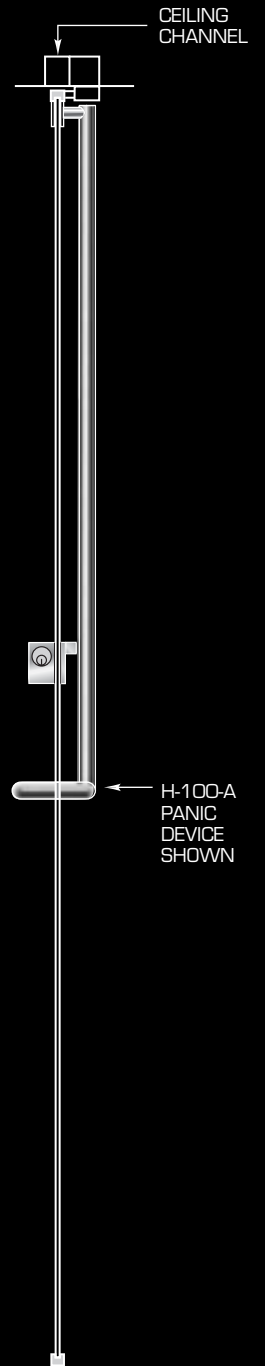
*FOR INFORMATION ON DISPLAY CASE DOORS, RAILINGS AND SMOKE BAFFLES, SEE PAGES D38 AND D39.*

**DOOR SERIES 1301**  
**MORE GLASS . . . LESS METAL**

DOOR SERIES 1301 AVAILABLE IN 1/2", 5/8" OR 3/4" TEMPERED GLASS.  
 METAL IN STAINLESS STEEL OR BRONZE ONLY.

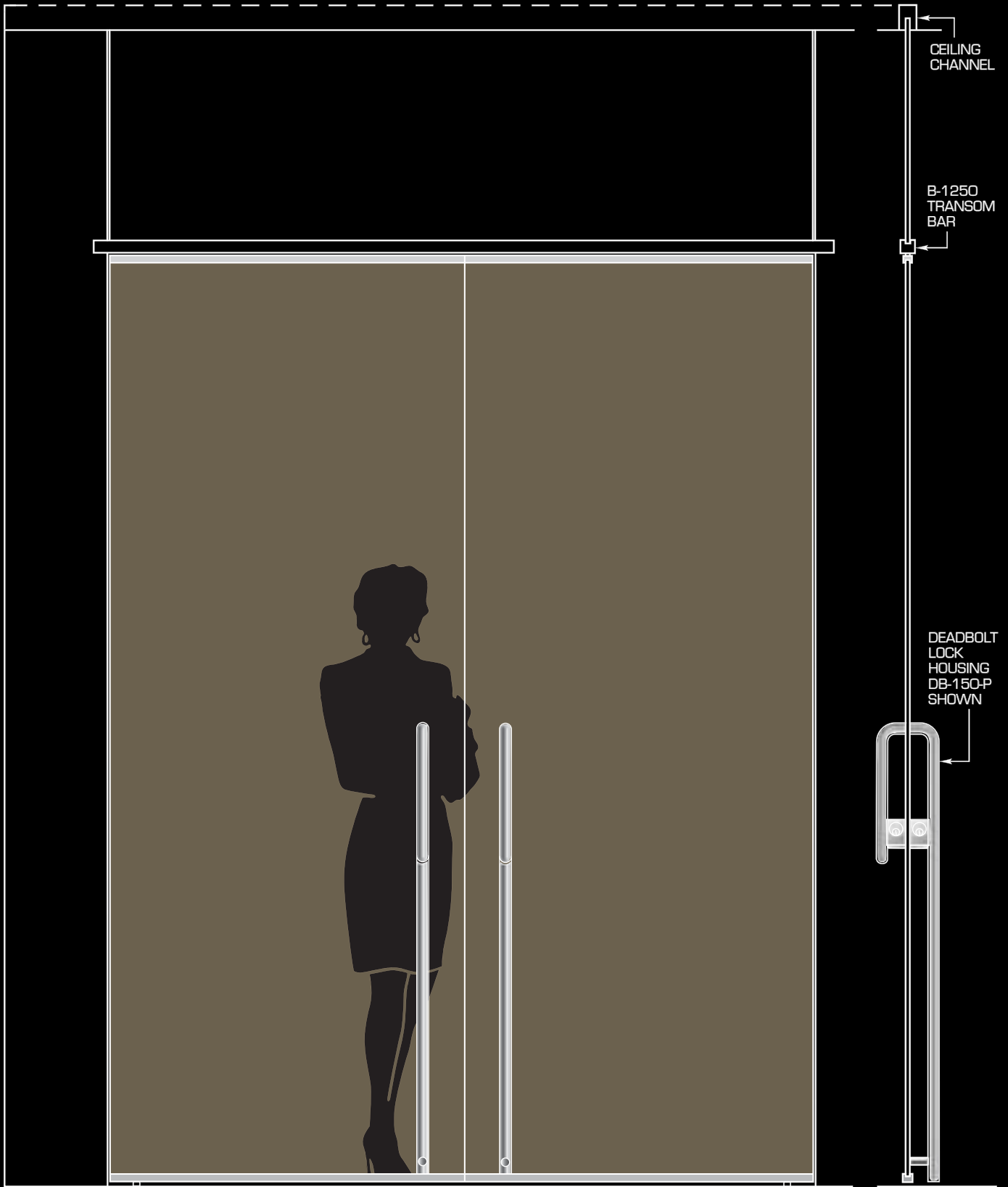


EXTERIOR VIEW



END VIEW

**1301 DOORS WITH H-100-A PANIC DEVICES**



EXTERIOR VIEW

END VIEW

**1301 DOORS IN COMBINATION WITH A FLOATING TRANSOM BAR**

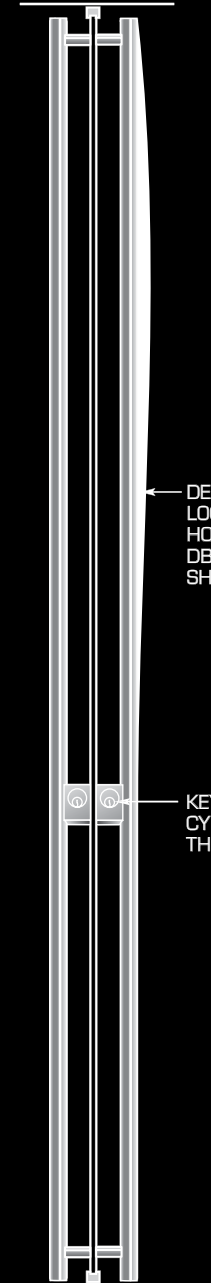
PANIC DEVICES AND DEADBOLT LOCK HOUSINGS  
CAN BE USED WITH THESE DOORS

**DOOR SERIES 1301**  
**MORE GLASS . . . LESS METAL**

**DOOR SERIES 1301 AVAILABLE IN 1/2", 5/8" OR 3/4" TEMPERED GLASS.  
METAL IN STAINLESS STEEL OR BRONZE ONLY.**



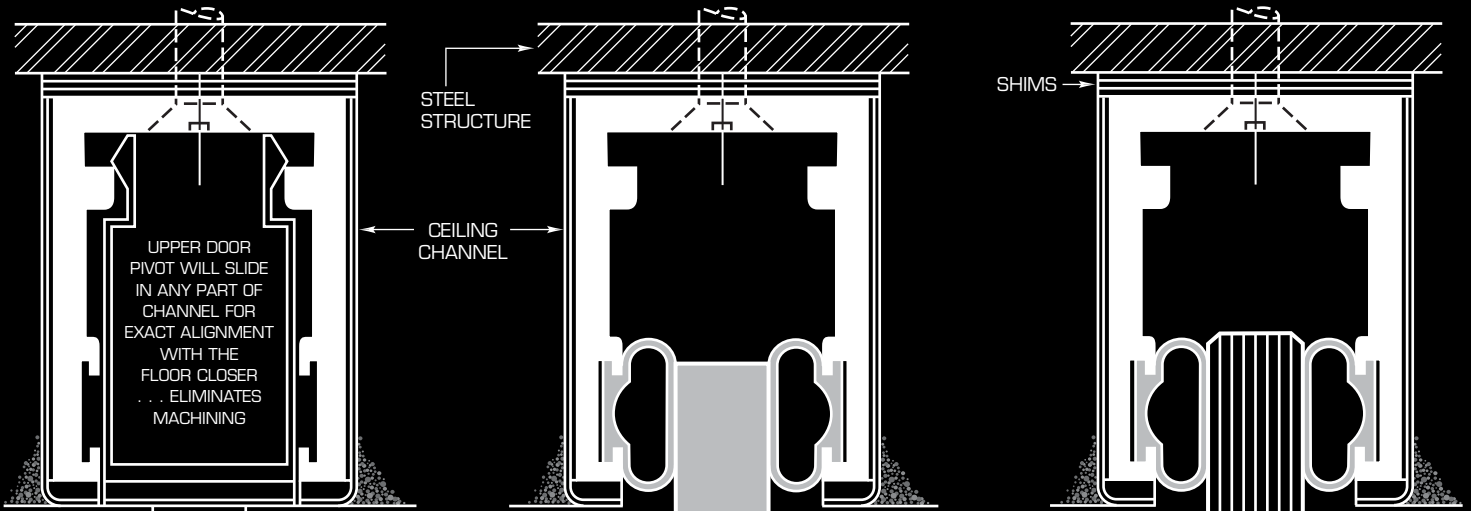
EXTERIOR VIEW



END VIEW

**1301 DOORS WITH FULL HEIGHT DEADBOLT HOUSINGS DB-130F**

**LOCKING IS SIMULTANEOUS AT TOP AND BOTTOM  
OR SEPARATELY AT TOP OR AT BOTTOM**



**CEILING CHANNELS**

PART NO.	C-7500	C-7501
GLASS	1/2"	3/4"
ALUMINUM HEIGHT	2"	2"
ALUMINUM WIDTH	1-1/2"	1-3/4"
*CLAD HEIGHT	2-1/8"	2-1/8"
*CLAD WIDTH	1-11/16"	1-15/16"

\*IF EXPOSED, CAN BE CLAD IN STAINLESS STEEL OR BRONZE

MATCHES DOOR RAIL SIGHTLINE

**BASE CHANNELS**

PART NO.	RB-500 OR EB-500	RB-750 OR EB-750
GLASS	1/2"	3/4"
ALUMINUM HEIGHT	3/4"	3/4"
ALUMINUM WIDTH	1"	1-1/4"
*CLAD HEIGHT	15/16"	15/16"
*CLAD WIDTH	1-1/8"	1-3/8"

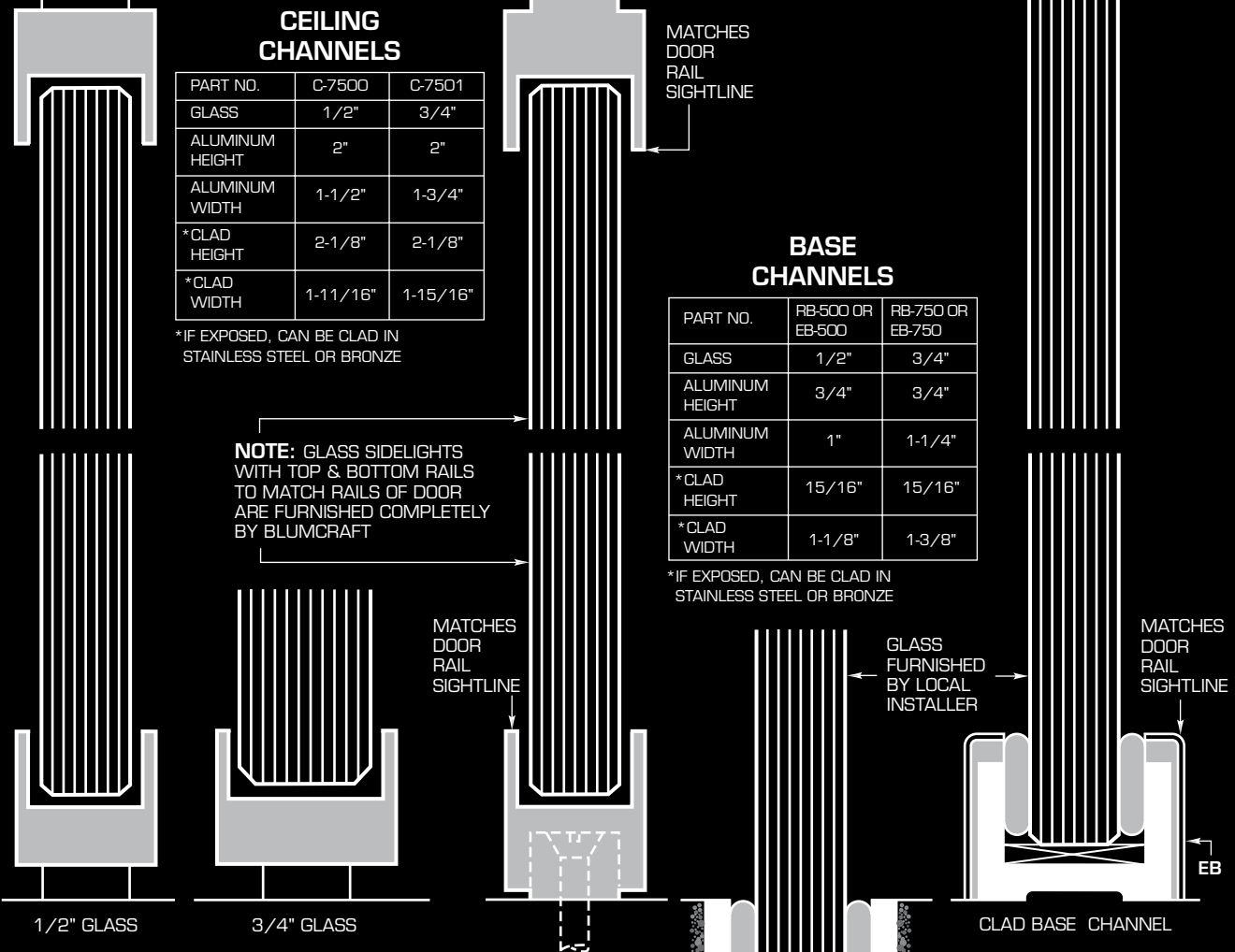
\*IF EXPOSED, CAN BE CLAD IN STAINLESS STEEL OR BRONZE

**NOTE:** GLASS SIDELIGHTS WITH TOP & BOTTOM RAILS TO MATCH RAILS OF DOOR ARE FURNISHED COMPLETELY BY BLUMCRAFT

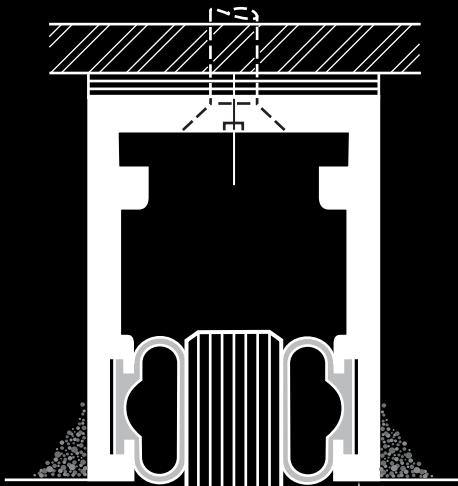
MATCHES DOOR RAIL SIGHTLINE

GLASS FURNISHED BY LOCAL INSTALLER

MATCHES DOOR RAIL SIGHTLINE



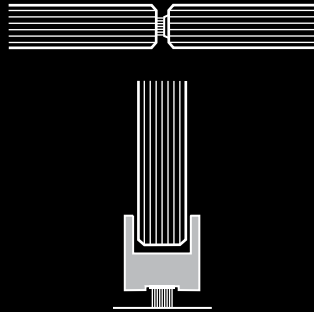
ALL SECTIONS FULL SIZE



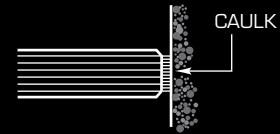
CEILING  
GLAZING  
CHANNEL

- C-7500 FOR 1/2" GLASS 1-1/2" X 2"
- C-7500 FOR 3/4" GLASS 1-3/4" X 2"

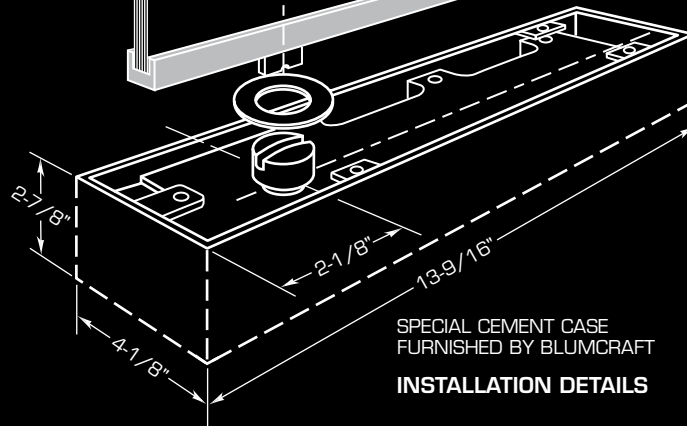
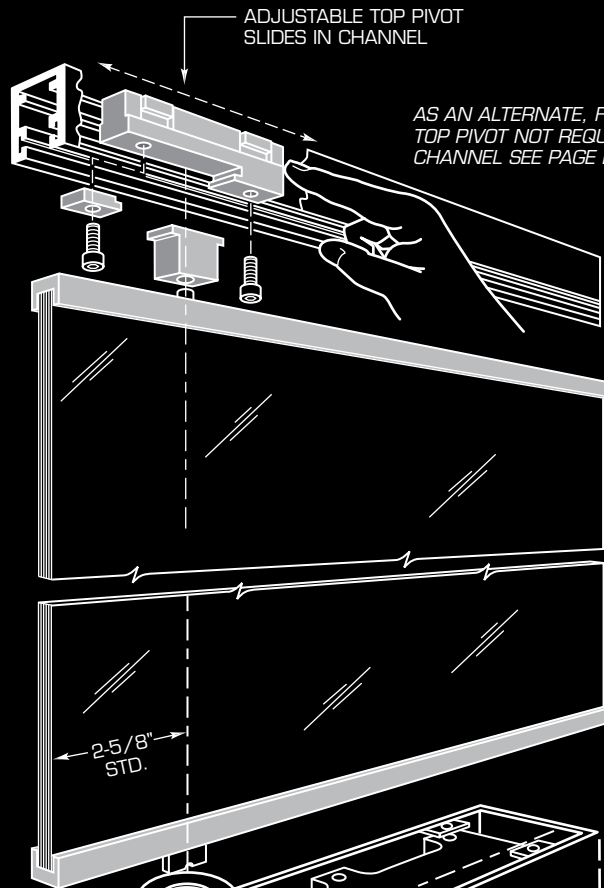
MATCHES  
DOOR  
RAIL  
SIGHTLINE



PILE WEATHERSTRIPPING  
OPTIONAL

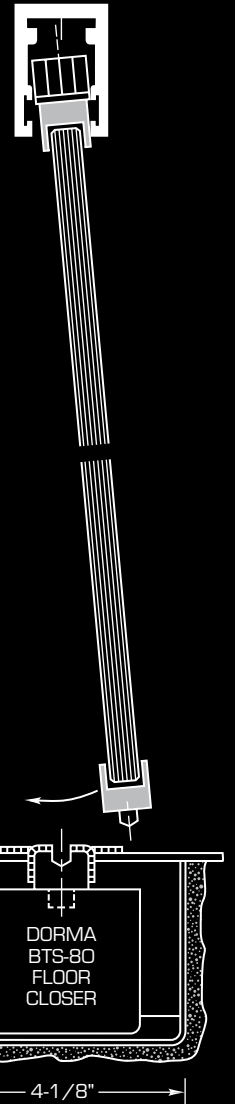


SECTION THRU SIDELIGHT  
ADJOINING WALL

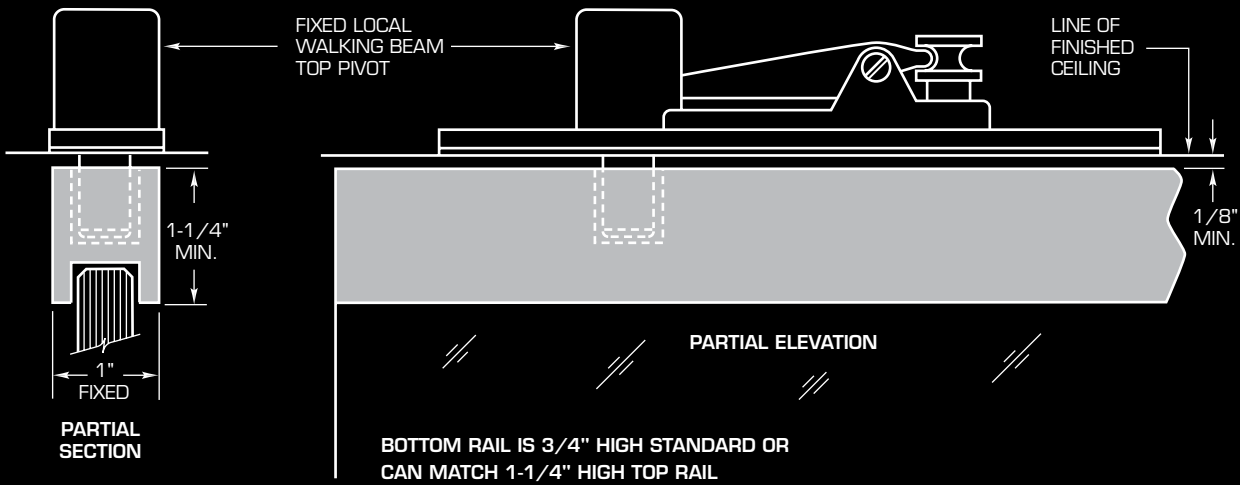


SPECIAL CEMENT CASE  
FURNISHED BY BLUMCRAFT

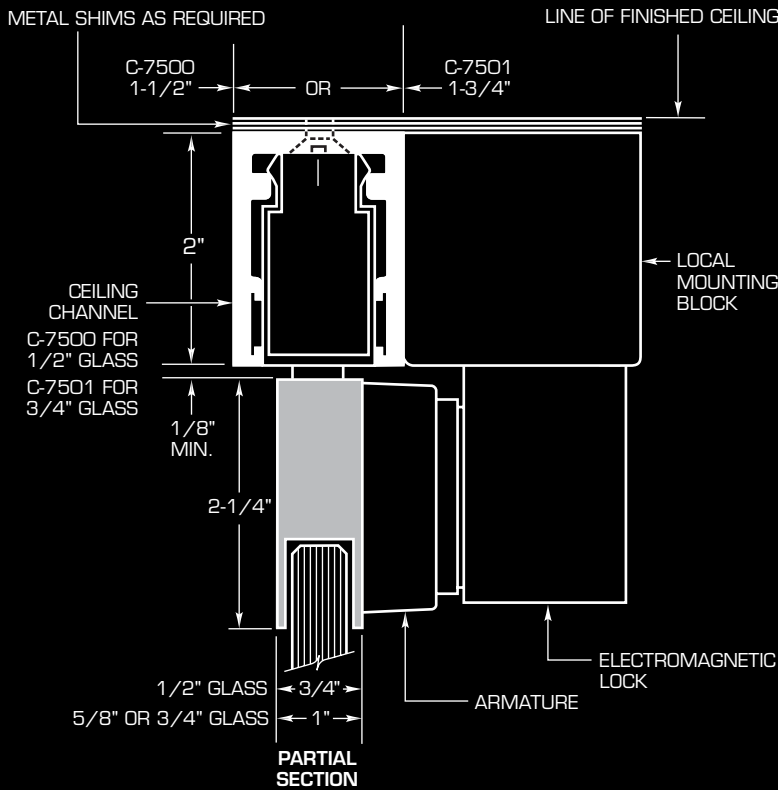
**INSTALLATION DETAILS**



**STANDARD TOP PIVOT**  
(CEILING CHANNEL C-7500 OR C-7501 NOT REQUIRED)

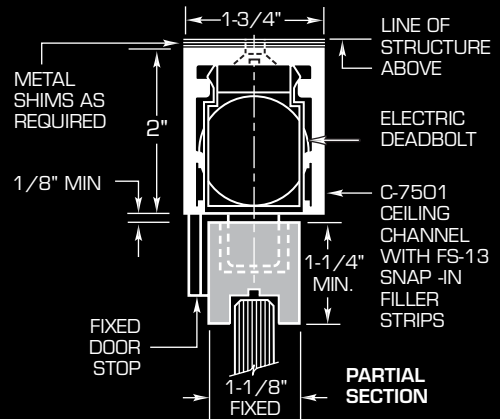


**ELECTROMAGNETIC LOCK**



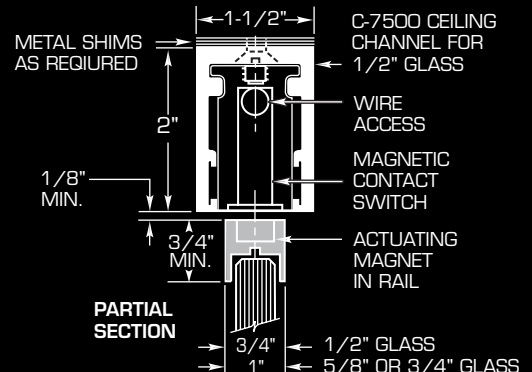
**NOTE:**  
RAILS CAN BE ADAPTED FOR VARIOUS TYPES OF ELECTROMAGNETIC LOCKS. CONTACT BLUMCRAFT WITH MODEL NUMBER OF SELECTED ELECTROMAGNETIC LOCK TO INSURE COMPATIBILITY.

**ELECTRIC DEADBOLT (DROP BOLT)**



**NOTE:**  
RAILS CAN BE ADAPTED FOR VARIOUS TYPES OF ELECTRIC DEADBOLTS, CONTACT BLUMCRAFT WITH MODEL NUMBER OF SELECTED DEADBOLT TO INSURE COMPATIBILITY.

**MAGNETIC CONTACT (DOOR POSITION SWITCH)**





**A COMPARISON:  
SERIES 1301 AND SERIES 640C DOORS**

WHILE THE 640C SERIES DOOR HAS MANY QUALITY FEATURES, AS AN ALTERNATE BLUMCRAFT SUGGESTS USING THE SERIES 1301 DOOR **WITH LESS METAL AND MORE GLASS** WHICH ELIMINATES THE CUMBERSOME RAILS.

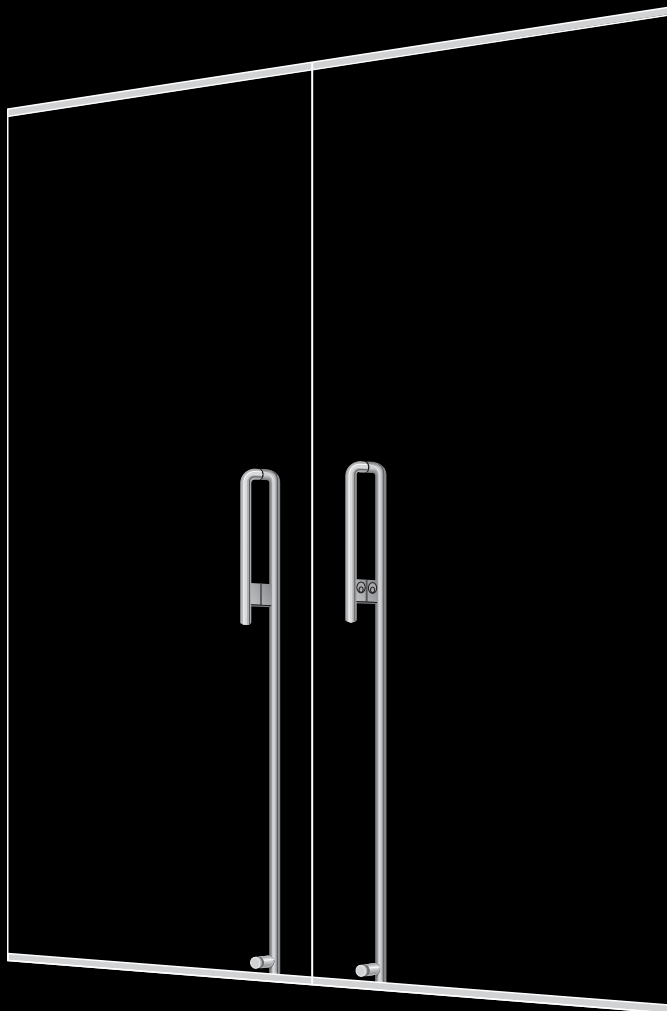
THIS DISTINCTIVE FEATURE IS THE MAIN CHARACTERISTIC THAT SEPARATES THE TWO. WITH THE TOP AND BOTTOM RAILS BEING ONLY 3/4" HIGH, THE 1301 SERIES DOOR ACHIEVES THE ULTIMATE IN ARCHITECTURAL BEAUTY AND DESIGN.

THESE DOORS ARE VERSATILE, AS THEY CAN BE ADAPTED FOR DORMA BTS-80 OR JACKSON 900 FLOOR CLOSERS, ADJUSTABLE PIVOTS, AND DOOR POSITION SWITCHES. WITH SLIGHT MODIFICATIONS TO THE TOP RAIL, SERIES 1301 DOORS ARE ALSO ADAPTABLE TO CENTER-PIVOTED OVERHEAD CLOSERS, STANDARD WALKING BEAM TOP PIVOTS, ELECTROMAGNETIC AND ELECTROMECHANICAL LOCKS.

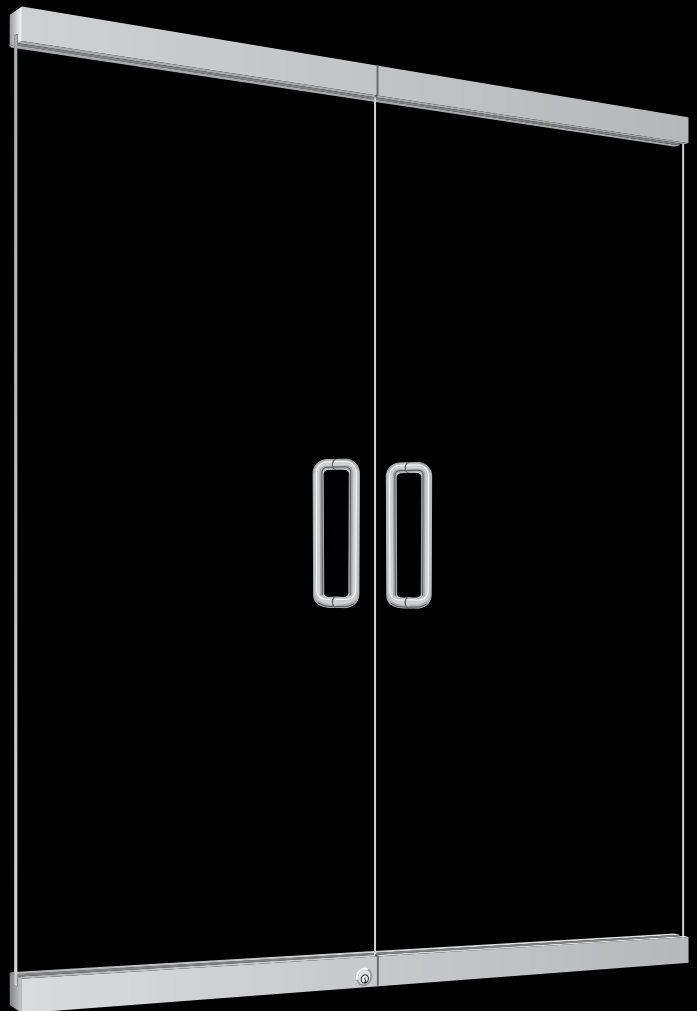
WITH THE SERIES 1301'S LOW PROFILE, THE NEED FOR TALL BOTTOM RAILS THAT ARE REQUIRED TO COMPLY WITH A.D.A. IS NO LONGER NECESSARY. DOORS AND MATCHING SIDELIGHTS ARE AVAILABLE IN 1/2", 5/8" OR 3/4" TEMPERED GLASS.

ALL BLUMCRAFT TUBULAR AND PANIC HARDWARE CAN BE INSTALLED ON SERIES 1301 DOORS.

THE 640C SERIES DOOR CERTAINLY HAS ITS OWN DISTINCTIVE LOOK BUT HAS SOME DISADVANTAGES. IN CERTAIN SITUATIONS SOME BUILDING CODES AND USAGE MAY INDICATE THAT THE BOTTOM LOCK SHOWN IS NOT IN COMPLIANCE WITH THE AMERICANS WITH DISABILITIES ACT SINCE IT IS OUT OF REACH OF THE HANDICAPPED. ANOTHER IS THAT THE PROJECTION OF THE BOTTOM RAIL FROM THE FACE OF THE GLASS CAN INTERFERE WITH A WHEELCHAIR. DETAILS OF THE 640C DOOR CAN BE FOUND ON PAGE D14.



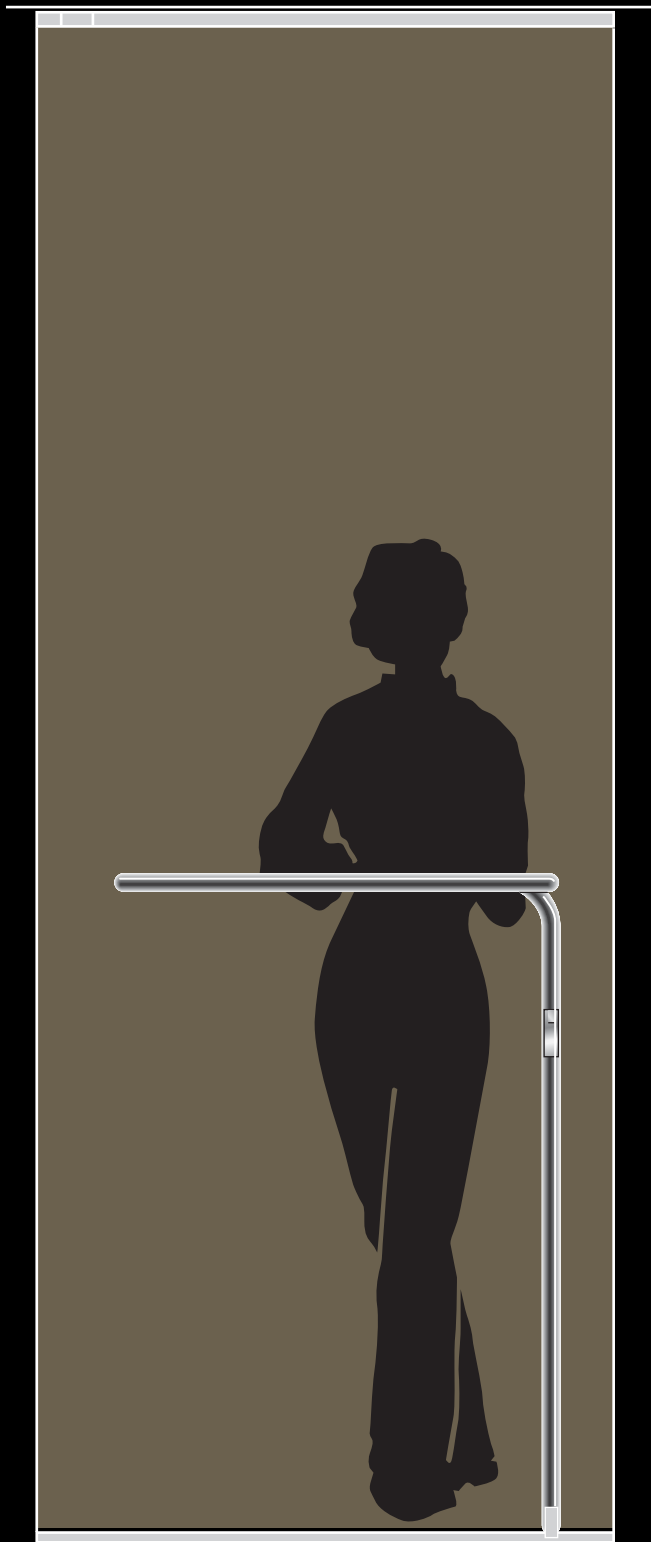
**DOOR SERIES 1301**



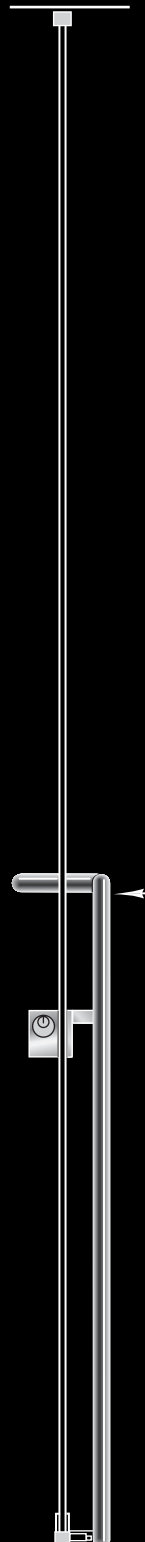
**DOOR SERIES 640C**

**OVERHEAD CLOSER DETAILS**

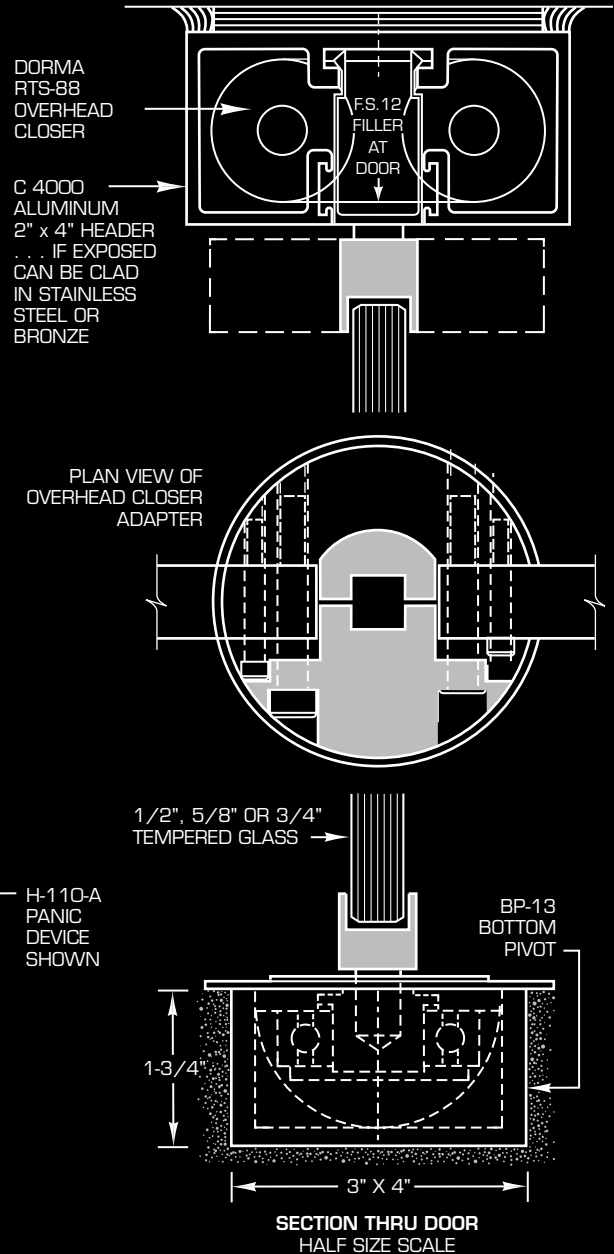
ALL BLUMCRAFT DOOR HARDWARE APPLICABLE TO DOOR SERIES 1301  
 BLUMCRAFT RECOMMENDS THE USE OF FLOOR CLOSERS FOR TEMPERED GLASS DOORS



EXTERIOR VIEW



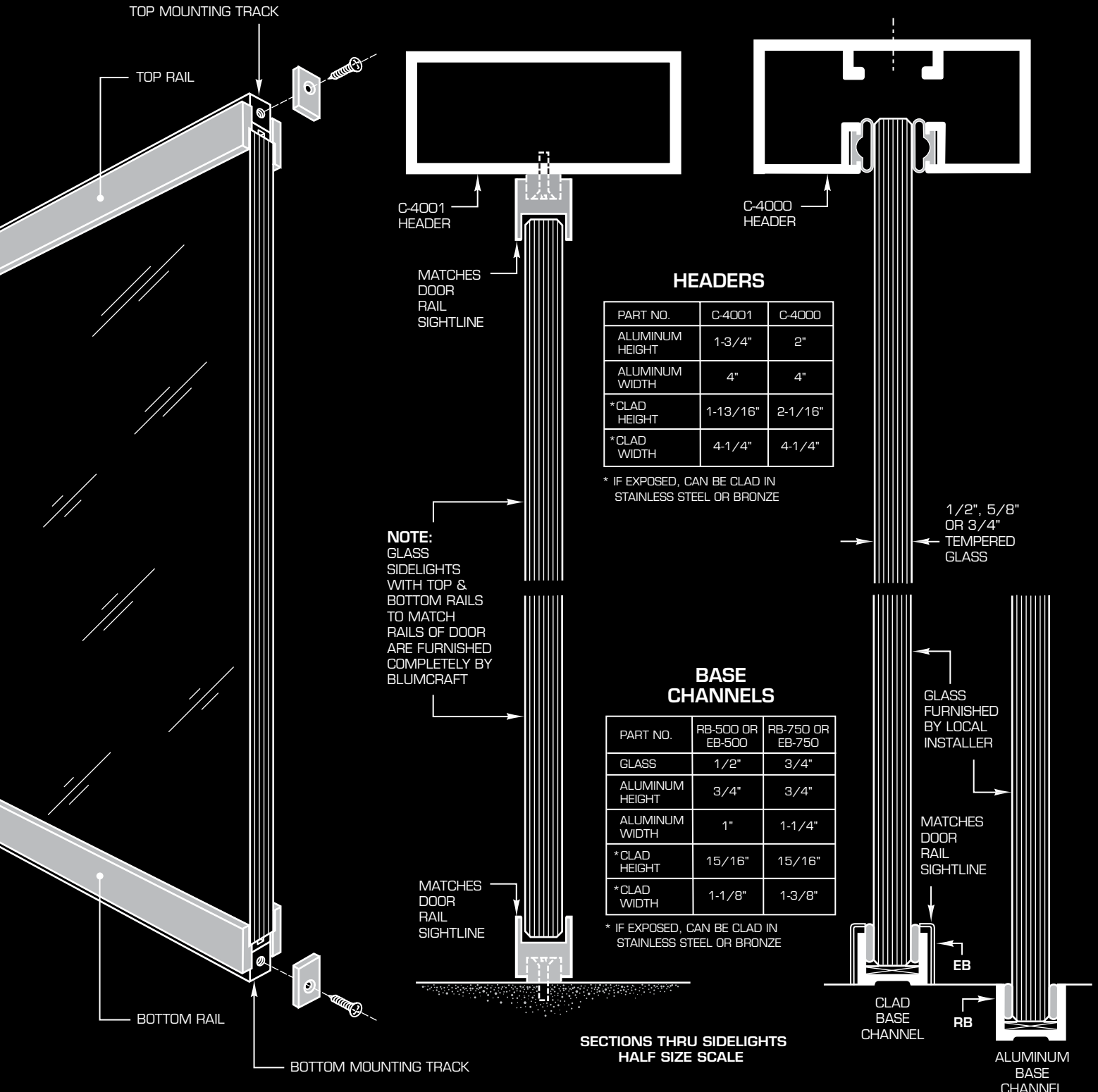
END VIEW



***AUTOMATIC OPERATOR***

SERIES 1301 DOORS CAN BE MODIFIED AND ADAPTED FOR A VARIETY OF OVERHEAD AUTOMATIC OR POWER ASSISTED OPERATORS. THE TOP RAIL IS SLIGHTLY INCREASED IN SIZE TO ACCOMMODATE THE DIRECT DRIVE SPINDLE OR AN EXPOSED ARM OF OPERATORS MANUFACTURED BY BESAM, HORTON, LCN, OR HORTON; OTHER OPERATORS ON REQUEST. TO INSURE COMPATIBILITY, CONTACT BLUMCRAFT WITH THE MODEL NUMBER. THE BOTTOM RAILS CAN REMAIN 3/4" HIGH OR MATCH THE TOP RAILS DEPENDING ON THE ARCHITECT'S PREFERENCE.

SIDELIGHTS



BLUMCRAFT HAS DEVELOPED THIS TRANSOM SYSTEM TO GIVE THE ENTRANCE A CLEAN GLASS LOOK. THE NARROW HORIZONTAL MEMBER SUPPORTING THE TRANSOM GLASS IS SUSPENDED BY THIN STAINLESS STEEL RODS CONCEALED IN THE JOINTS BETWEEN THE TRANSOM GLASS AND THE SIDELIGHTS. A HIGHLY REFLECTIVE FINISH OF THE B-1250 TRANSOM BAR WILL FURTHER MINIMIZE THE PRESENCE OF SUPPORTING MEMBERS AS IT BLENDS INTO THE REFLECTION OF THE GLASS. THIS TRANSOM SYSTEM CAN ACCOMMODATE A PAIR OF DOORS OR A SINGLE DOOR FLANKED BY SIDELIGHTS. CONNECTIONS ARE ALSO AVAILABLE ON ONE OR BOTH SIDES TO STRUCTURAL JAMB MEMBERS OR WALLS.

**NOTE:** CORNER CUTOUTS AND HOLES IN GLASS ARE ELIMINATED, AVOIDING CRITICAL STRESS.

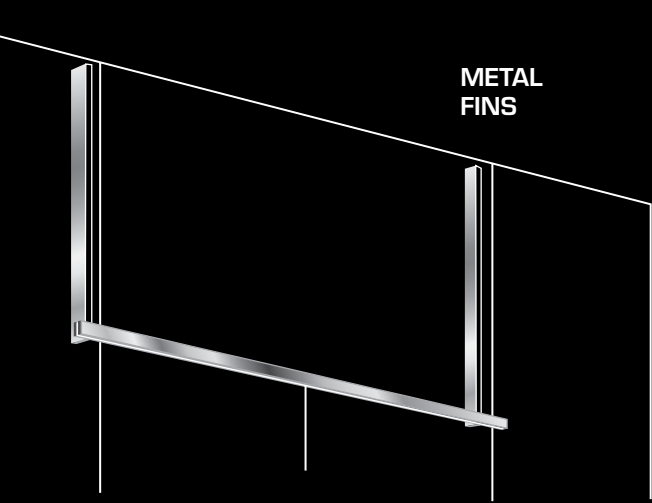
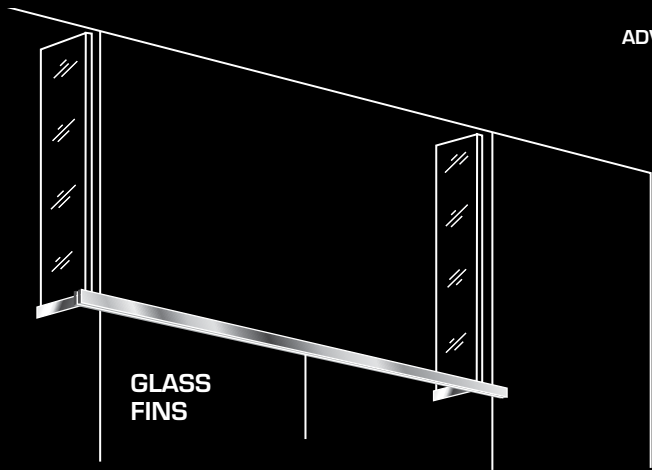


- **ELECTRIC STRIKES CAN BE USED WITH TRANSOM IN COMBINATION WITH BLUMCRAFT PANIC DEVICES AND DEADBOLT HOUSINGS. SEE PAGES D-30 AND D-31**
- **TRANSOM BARS CAN BE MOUNTED TO WALLS OR FRAMING. CONTACT BLUMCRAFT FOR DETAILS**

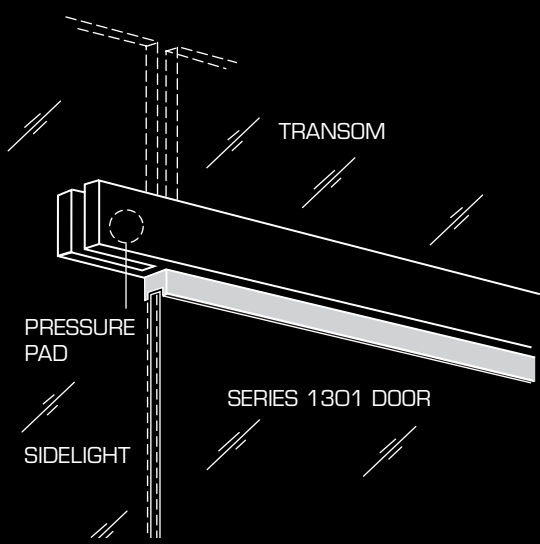
WINDLOADS, STACK ACTION, VENTILATION LOADS, HEAVY USAGE AND FREQUENCY OF OPERATION ARE FACTORS THAT AFFECT THE FOLLOWING:

- **GLASS THICKNESS**
- **TRANSOM BAR DIMENSIONS**
- **NECESSITY FOR FINS**
- **FIN SIZE**

IT IS SUGGESTED THAT THE ARCHITECT'S STRUCTURAL ENGINEER REVIEW EACH ENTRANCE CONSIDERING THESE FACTORS.

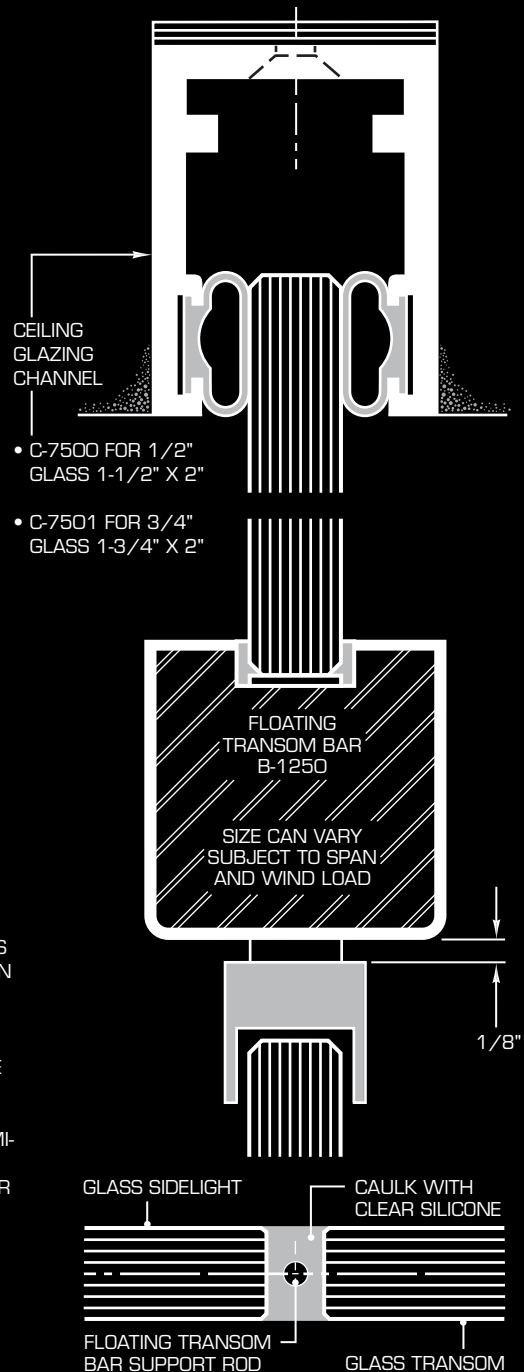


- ADVANTAGES:**
- A. MINIMUM EXPOSED METAL MAINTAINS AN ALL GLASS ENTRANCE LOOK.
  - B. CORNER CUTOUTS AND HOLE FABRICATION OF THE GLASS ARE ELIMINATED, THUS AVOIDING CRITICAL STRESS POINTS IN BOTH TRANSOM AND SIDELIGHT GLASS
  - C. THE TRANSOM GLASS RESTS IN THE SLOT OF THE FLOATING TRANSOM BAR, ASSURING RIGID INSTALLATION OF THE TRANSOM GLASS.
  - D. THE GLASS TRANSOM GAINS LATERAL SUPPORT FROM ADJACENT SIDELIGHTS WITHOUT HOLES IN THE SIDELIGHT GLASS.
  - E. DOORS ARE EASILY ADJUSTABLE BOTH Laterally AND VERTICALLY FOR BETTER POSITIONING IN THE OPENING.

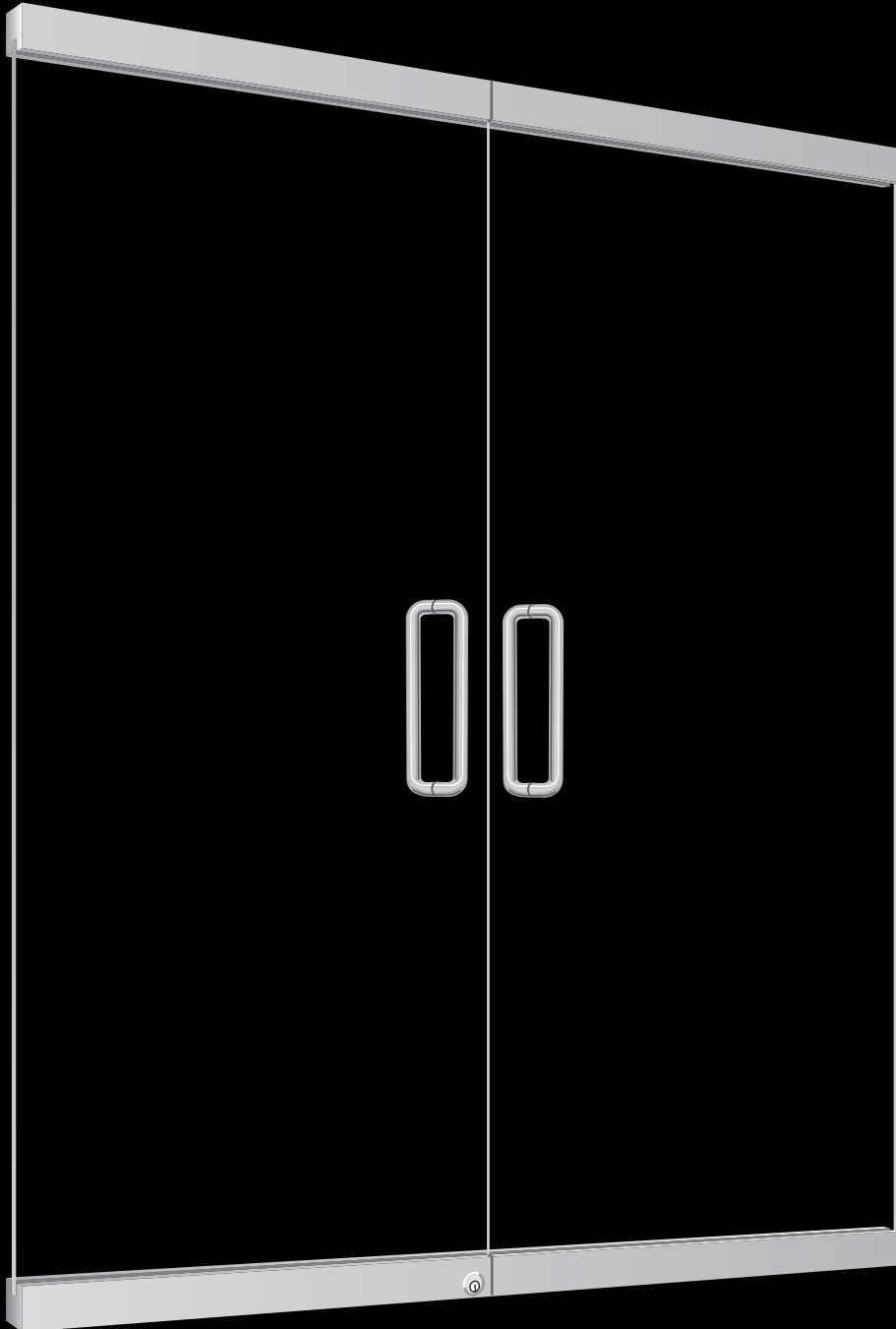


THE TRANSOM BAR IS HELD IN PLACE USING PRESSURE PADS AT THE SIDELIGHT AND SUPPORT RODS HANGING FROM THE CEILING CHANNEL

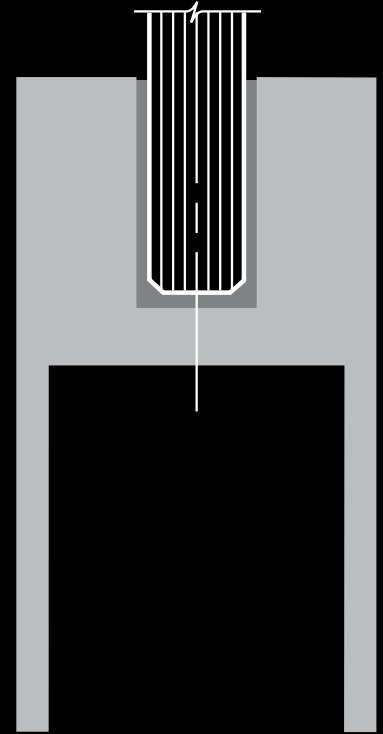
BLUMCRAFT'S FLOATING TRANSOM SYSTEM HAS BEEN ERECTED AND THOROUGHLY TESTED IN BLUMCRAFT'S OWN STATIC LOAD TESTING CHAMBER. GLASS APPLIED STRAIN GAUGES ALONG WITH DEFLECTION GAUGES CONTINUOUSLY MONITORED THE GLASS DURING TESTING. THE RESULTS ARE AVAILABLE TO ARCHITECTS UPON REQUEST. ARCHITECTS SHOULD SUBMIT PRELIMINARY SKETCHES AND ADVISE WIND LOADS FOR EXTERIOR USE.



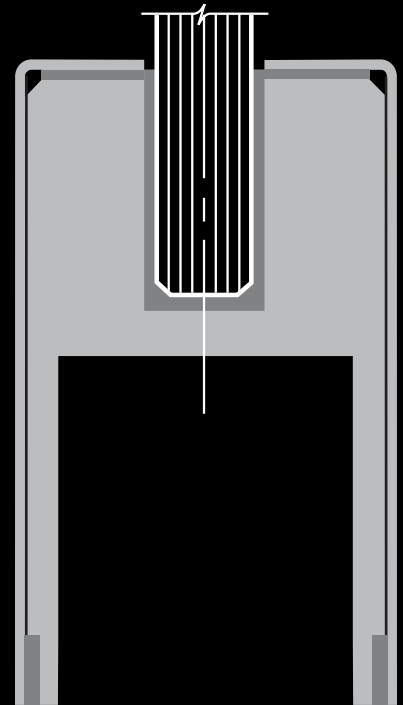
SERIES 640 DOORS ARE AVAILABLE IN 1/2", 5/8" OR 3/4" THICK TEMPERED GLASS. STANDARD TOP AND BOTTOM RAILS ARE 3-3/8" HIGH OR 3-1/2" HIGH (CLAD), BUT CAN BE FABRICATED UP TO 12" HIGH. RAILS AND STILES ARE FURNISHED IN ALUMINUM, BRONZE, OR STAINLESS STEEL. THESE DOORS ARE ADAPTABLE TO MOST OVERHEAD/FLOOR CLOSERS, AUTOMATIC OPERATORS, ELECTRIC DEADBOLTS, ELECTROMAGNETIC LOCKS, AND DOOR POSITION SWITCHES. CONTACT OUR SALES DEPARTMENT TO INSURE COMPATIBILITY. ALL BLUMCRAFT PANIC DEVICES, DEADBOLT HOUSINGS AND LOCKS ARE APPLICABLE TO SERIES 640.



**DOOR SERIES 640C**

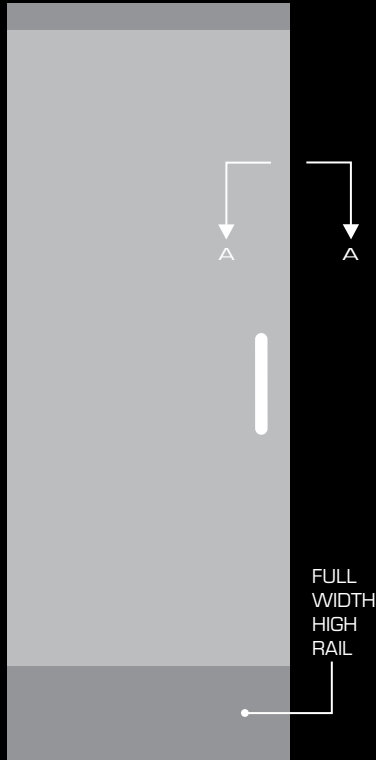


**ALUMINUM**  
FULL SIZE SECTION THRU  
BOTTOM AND TOP RAIL

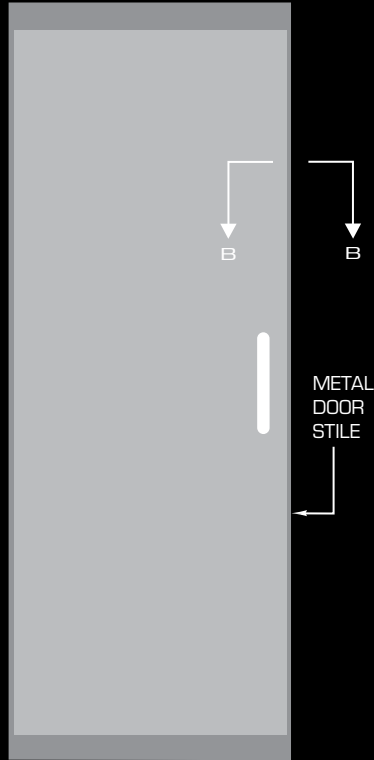


**BRONZE OR STAINLESS STEEL**  
FULL SIZE SECTION THRU  
BOTTOM AND TOP RAIL

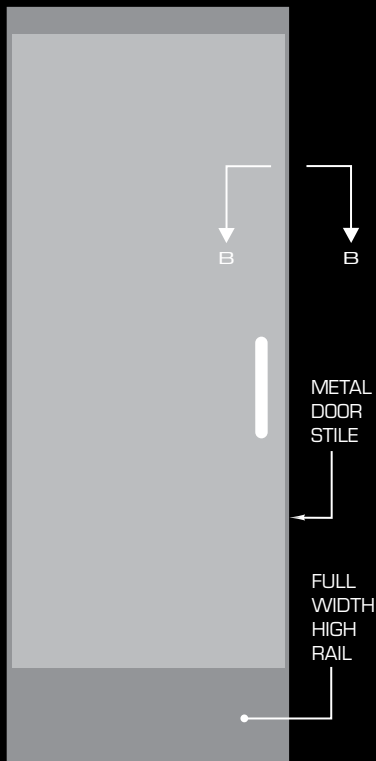
**SERIES 640CH**  
ALUMINUM, BRONZE  
OR STAINLESS STEEL



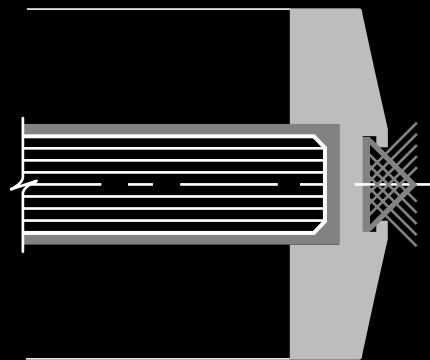
**SERIES 640S**  
ALUMINUM, BRONZE  
OR STAINLESS STEEL



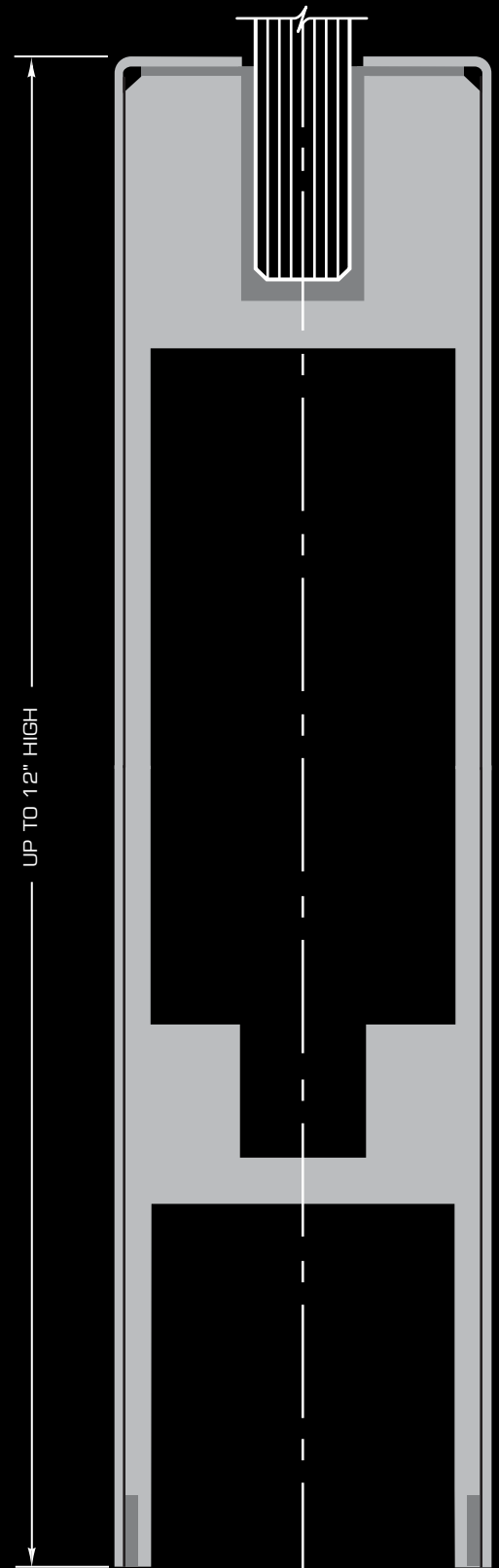
**SERIES 640SH**  
ALUMINUM, BRONZE  
OR STAINLESS STEEL



FULL SIZE SECTION A-A  
GLASS EDGES



FULL SIZE SECTION B-B  
METAL DOOR STILE



ALUMINUM, BRONZE  
OR STAINLESS STEEL  
FULL SIZE SECTION

**SERIES 250 DOORS** HAVE FULL WIDTH TOP AND BOTTOM RAILS AND VERY THIN VERTICAL STILES BONDED TO GLASS. THEY ARE AVAILABLE IN ALUMINUM, BRONZE, OR STAINLESS STEEL.

**SERIES 150 DOORS** LIKE SERIES 250 DOORS HAVE FULL WIDTH TOP AND BOTTOM RAILS BUT HAVE NO VERTICAL STILES. THEY ARE AVAILABLE IN ALUMINUM, BRONZE, OR STAINLESS STEEL.

**AVAILABLE IN 1/2", 5/8" OR 3/4" THICK TEMPERED GLASS**

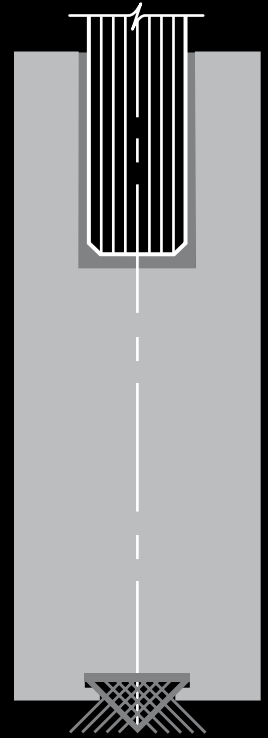


**SERIES 250 DOOR SHOWN WITH DEADBOLT HOUSING DB-170-JS**

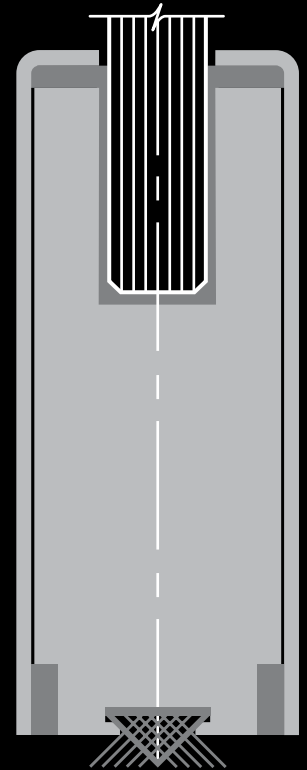


**SERIES 150 DOOR SHOWN WITH PANIC DEVICE H-100D**

**ALL BLUMCRAFT PANIC DEVICES, DEADBOLT HOUSINGS AND LOCKS ARE APPLICABLE TO SERIES 250 AND SERIES 150 DOORS**

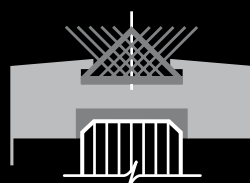


**ALUMINUM FULL SIZE SECTION THRU BOTTOM AND TOP RAIL**

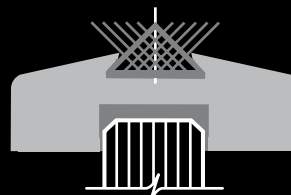


**BRONZE OR STAINLESS STEEL FULL SIZE SECTION THRU BOTTOM AND TOP RAIL**

**FOR EXTERIOR DOORS OVER 8'-6" PRELIMINARY DRAWING SHOULD BE SENT TO BLUMCRAFT FOR REVIEW**



**ALUMINUM FULL SIZE SECTION THRU SERIES 250 DOOR STILE**

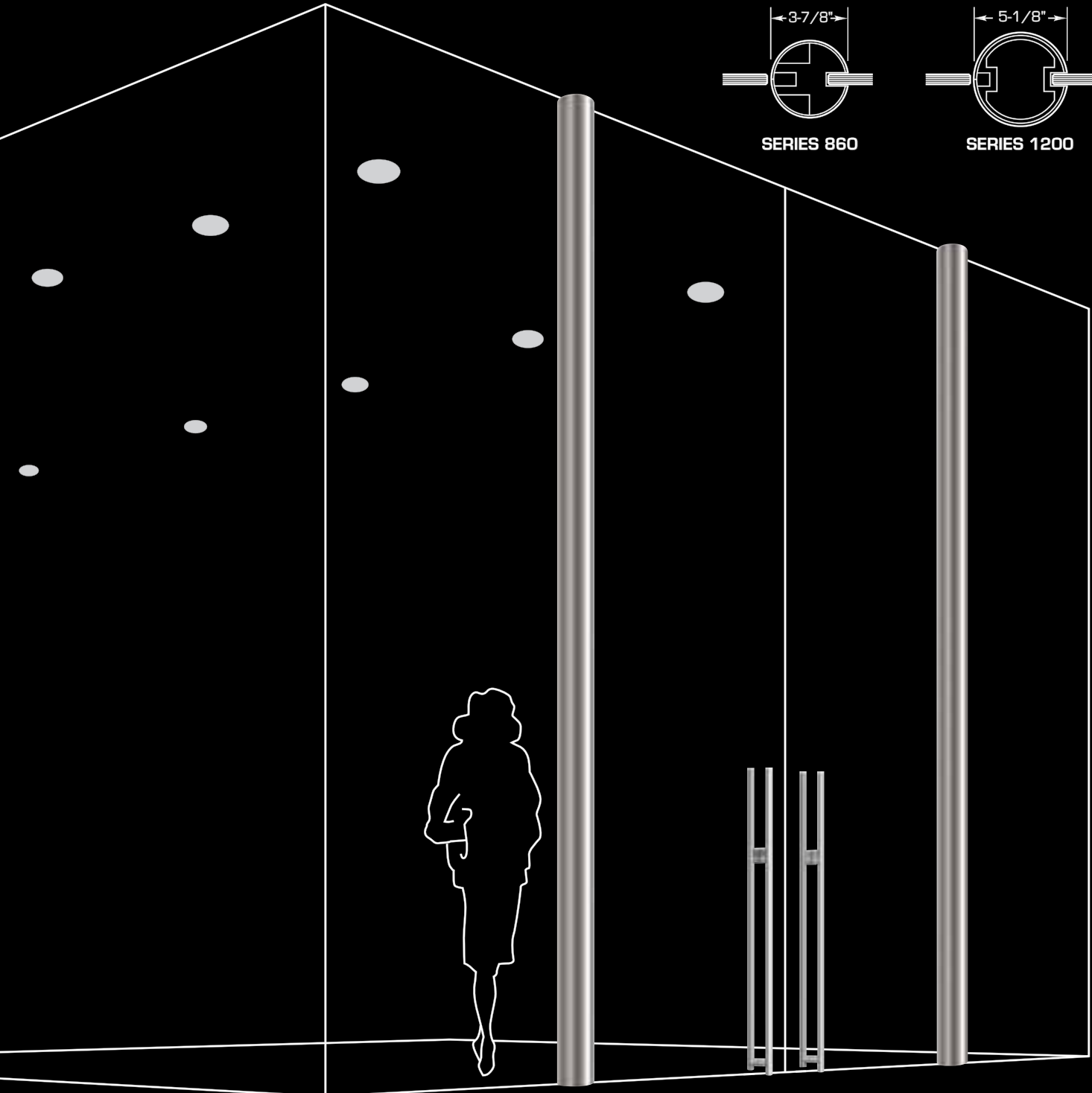


**BRONZE OR STAINLESS STEEL FULL SIZE SECTION THRU SERIES 250 DOOR STILE**



SERIES 1200 DOORS ARE DESIGNED TO USE 1/2" THICK TEMPERED GLASS UP TO 12'-0" HIGH. THESE TALL DOORS ARE CONTROLLED BY STANDARD FLOOR CLOSERS. THE WEIGHT OF THE DOOR IS BORNE BY A HEAVY DUTY LOAD BEARING CEMENT CASE INDEPENDENT OF THE FLOOR CLOSER. A VARIETY OF BLUMCRAFT DEADBOLT AND PANIC HARDWARE IS ADAPTABLE TO SERIES 1200 DOORS.

SERIES 860 DOORS ARE ALSO DESIGNED TO USE 1/2" THICK TEMPERED GLASS, BUT ONLY UP TO 8'-6" HIGH. THIS SMALLER VERSION OF THE SERIES 1200 FEATURES SAFETY JAMB PROTECTION AND ELIMINATION OF THE TOP AND BOTTOM RAILS. OVERHEAD AND FLOOR CLOSERS ARE OPTIONS. ALL BLUMCRAFT PANIC AND DEADBOLT HARDWARE IS SUITABLE FOR USE WITH SERIES 860 DOORS.



SERIES 860

SERIES 1200

1200 DOORS WITH DB-140-KS DEADBOLT HOUSINGS

**MORTISE CYLINDER EQUIVALENTS  
(1-1/8" NOMINAL LENGTH)**

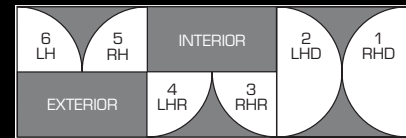
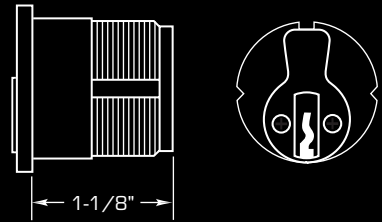
MANUFACTURER	MODEL NO.	CAM NO.
ARROW	MC61	001
ASSA	6551	5
BEST	1E64	1EC4
CORBIN/RUSSWIN	1000-118	A02
FALCON	985	4
ILCO (LORI)	7186XX	1
MEDECO	10-0200	CT-Z01
SARGENT	41	13-0660
SCHLAGE*	20-001	B502-191
YALE	2153	1161

*\*Standard with Blumcraft Panic Devices and Deadbolt Housings*

Removable core cylinders and thumbturns are applicable with the straight cam shown. Cylinder collars for Blumcraft hardware will vary with the cylinder lengths longer than 1-1/8"

**PANIC DEVICE OPERATION**

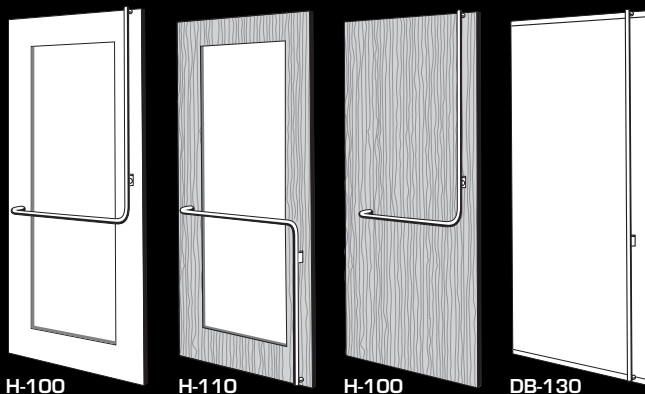
Although the handle appears to be continuous, the operating portion of this device pivots at the "A" and "B" locations shown. A push on the panic handle any place between "A" and "B" operates the mechanism by slightly moving the handle over the actuator post, thus retracting the bolt. When the door closes, the bolt is self-latching. All panics include a built-in dogging device.



DOOR SWING DIAGRAM

**BLUMCRAFT PANIC DEVICES  
MEET UL REQUIREMENTS**

**PANIC DEVICES, DEADBOLT HOUSINGS  
AND DUMMY HANDLES ARE AVAILABLE  
IN STAINLESS STEEL OR ARCHITECTURAL  
BRONZE**



**ALL BLUMCRAFT HARDWARE IS APPLICABLE  
TO MOST TYPES OF DOORS INCLUDING:**

- TEMPERED GLASS • WOOD
- MEDIUM/WIDE STILE AND RAIL
- BALANCED • HOLLOW METAL

**H-100A PANIC DEVICE (SHOWN)**

The top latchbolt is retracted by pushing the interior "L" shaped crash bar. A conveniently located built-in dogging device keeps the latchbolt in the retracted position and the crash bar becomes fixed. Exterior key cylinder for entry is optional. For electric strike applications see pages D30 and D31.

**DB-100A DEADBOLT HOUSING (SHOWN)**

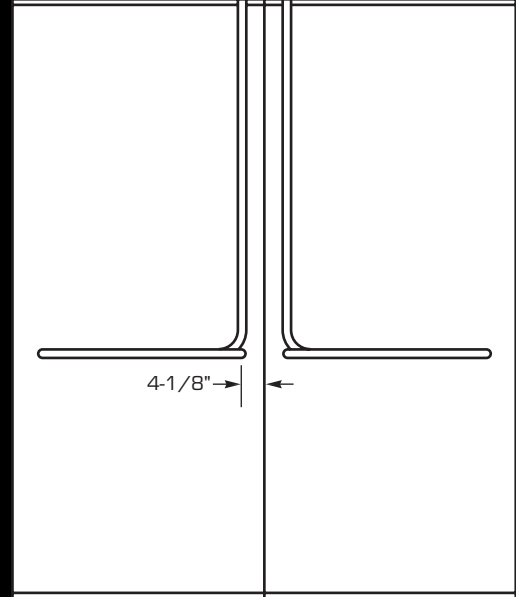
The upper deadbolt is operated by key cylinders on both sides or with an interior thumbturn.

**DH-100A DUMMY HANDLE**

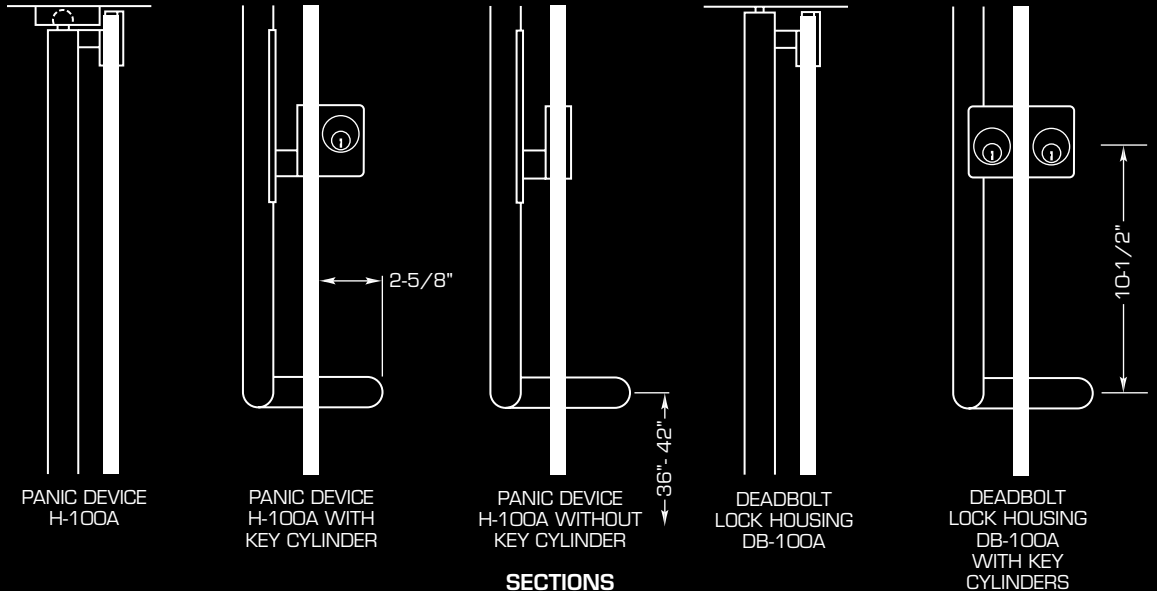
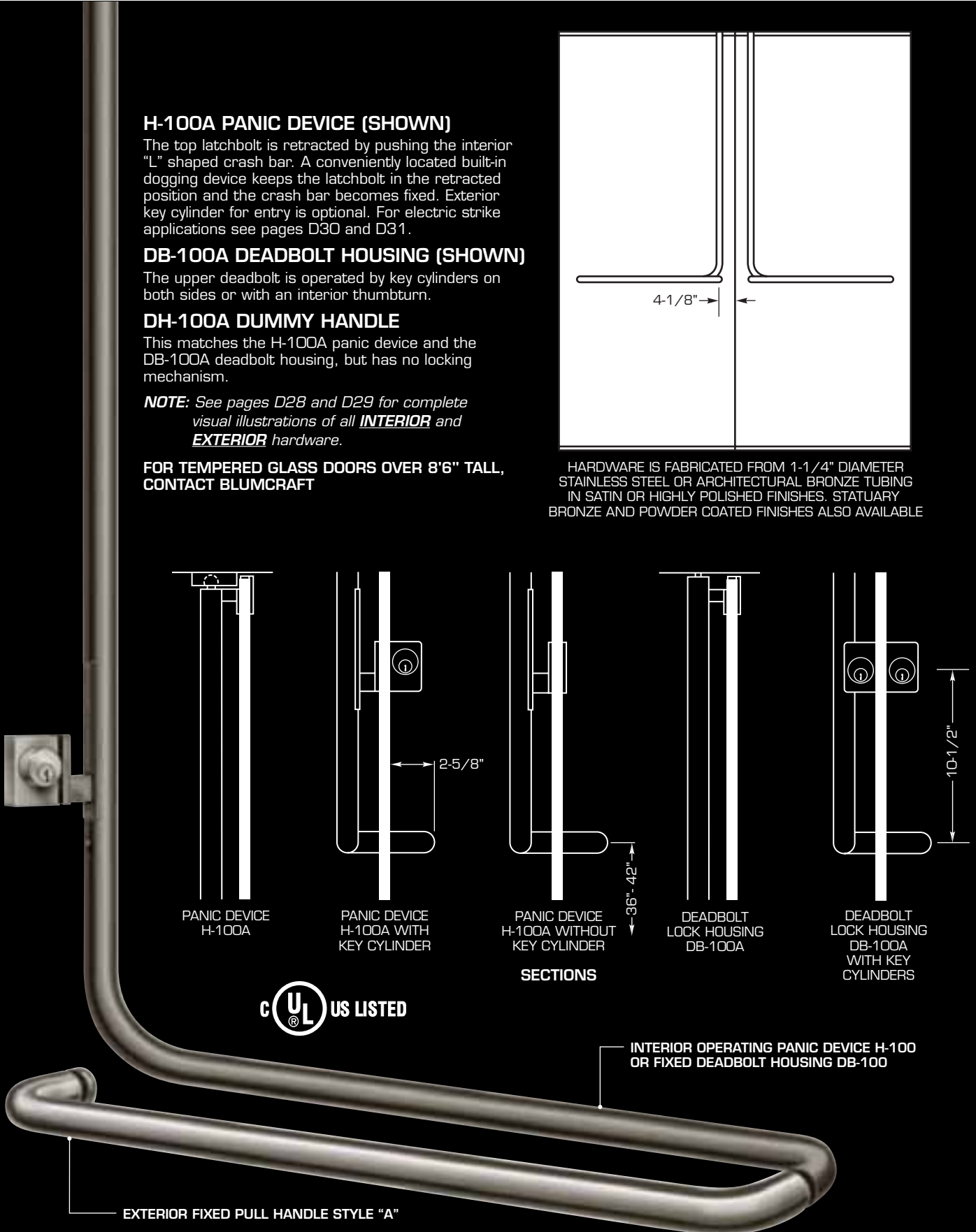
This matches the H-100A panic device and the DB-100A deadbolt housing, but has no locking mechanism.

*NOTE: See pages D28 and D29 for complete visual illustrations of all **INTERIOR** and **EXTERIOR** hardware.*

**FOR TEMPERED GLASS DOORS OVER 8'6" TALL,  
CONTACT BLUMCRAFT**



HARDWARE IS FABRICATED FROM 1-1/4" DIAMETER STAINLESS STEEL OR ARCHITECTURAL BRONZE TUBING IN SATIN OR HIGHLY POLISHED FINISHES. STATUARY BRONZE AND POWDER COATED FINISHES ALSO AVAILABLE



INTERIOR OPERATING PANIC DEVICE H-100  
OR FIXED DEADBOLT HOUSING DB-100

EXTERIOR FIXED PULL HANDLE STYLE "A"

**H-100B PANIC DEVICE (SHOWN)**

The top latchbolt is retracted by pushing the interior "L" shaped crash bar. A conveniently located built-in dogging device keeps the latchbolt in the retracted position and the crash bar becomes fixed. Exterior key cylinder for entry is optional. For electric strike applications see pages D30 and D31.

**DB-100B DEADBOLT HOUSING (SHOWN)**

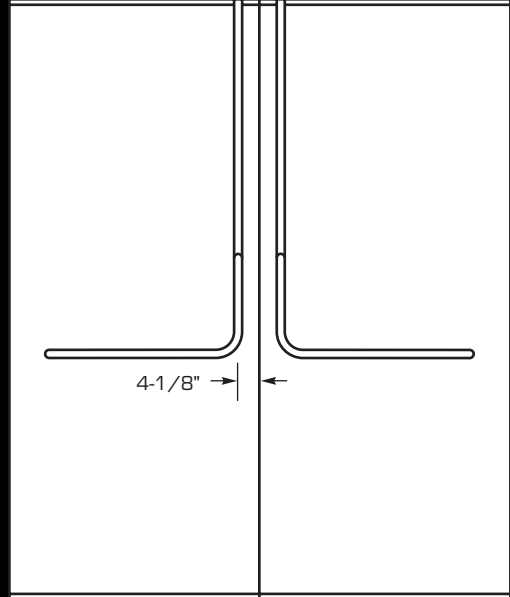
The upper deadbolt is operated by key cylinders on both sides or with an interior thumbturn.

**DH-100B DUMMY HANDLE**

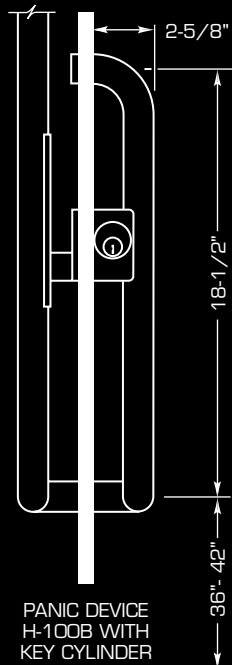
This matches the H-100B panic device and the DB-100B deadbolt housing, but has no locking mechanism.

**NOTE:** See pages D28 and D29 for complete visual illustrations of all **INTERIOR** and **EXTERIOR** hardware.

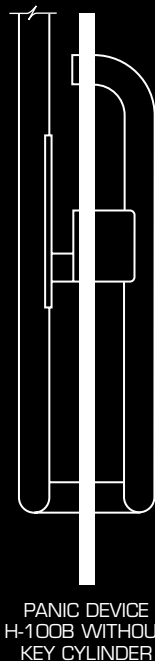
**FOR TEMPERED GLASS DOORS OVER 8'6" TALL, CONTACT BLUMCRAFT**



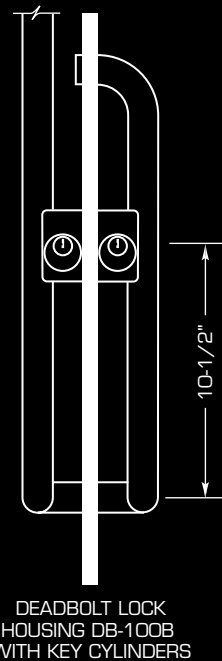
HARDWARE IS FABRICATED FROM 1-1/4" DIAMETER STAINLESS STEEL OR ARCHITECTURAL BRONZE TUBING IN SATIN OR HIGHLY POLISHED FINISHES. STATUARY BRONZE AND POWDER COATED FINISHES ALSO AVAILABLE



PANIC DEVICE H-100B WITH KEY CYLINDER



PANIC DEVICE H-100B WITHOUT KEY CYLINDER



DEADBOLT LOCK HOUSING DB-100B WITH KEY CYLINDERS

**SECTIONS**



INTERIOR OPERATING PANIC DEVICE H-100 OR FIXED DEADBOLT HOUSING DB-100

EXTERIOR FIXED PULL HANDLE STYLE "B"

**H-100C PANIC DEVICE (SHOWN)**

The top latchbolt is retracted by pushing the interior "L" shaped crash bar. A conveniently located built-in dogging device keeps the latchbolt in the retracted position and the crash bar becomes fixed. Exterior position and the crash bar becomes fixed. Exterior key cylinder for entry is optional. For electric strike applications see pages D30 and D31.

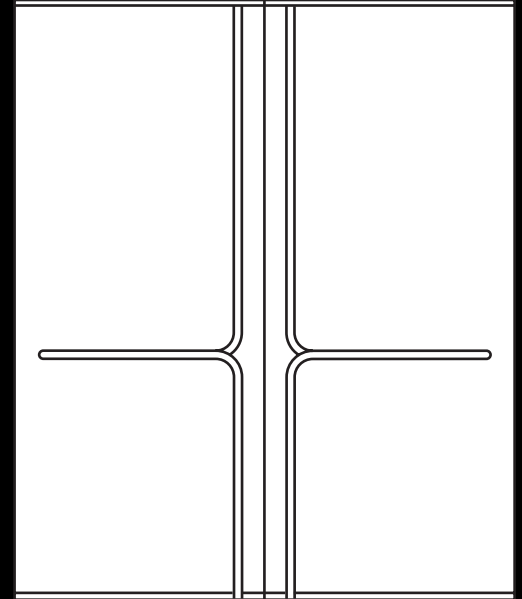
**DB-100C DEADBOLT HOUSING (SHOWN)**

The upper deadbolt is operated by key cylinders on both sides or with an interior thumbturn.

**DH-100C DUMMY HANDLE**

This matches the H-100C panic device and the DB-100C deadbolt housing, but has no locking mechanism.

**NOTE:** See pages D28 and D29 for complete visual illustrations of all **INTERIOR** and **EXTERIOR** hardware.



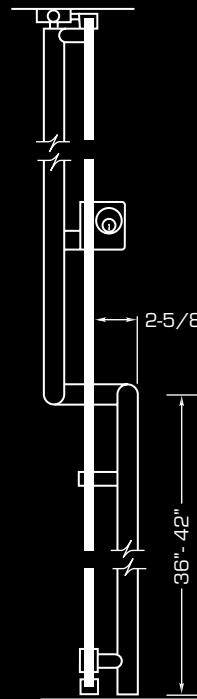
4-1/8" → ←

HARDWARE IS FABRICATED FROM 1-1/4" DIAMETER STAINLESS STEEL OR ARCHITECTURAL BRONZE TUBING IN SATIN OR HIGHLY POLISHED FINISHES. STATUARY BRONZE AND POWDER COATED FINISHES ALSO AVAILABLE

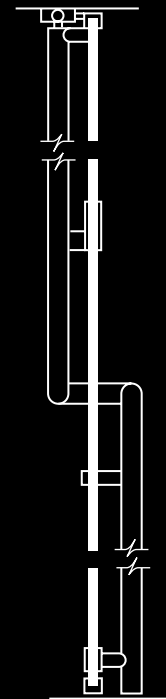
INTERIOR OPERATING PANIC DEVICE H-100 OR FIXED DEADBOLT HOUSING DB-100

EXTERIOR FIXED PULL HANDLE STYLE "C"

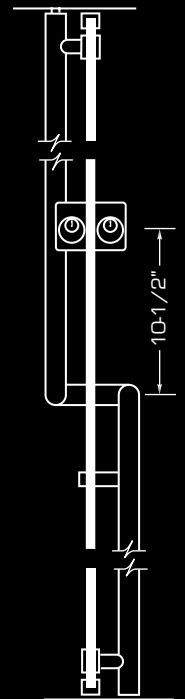
FOR TEMPERED GLASS DOORS OVER 8'6" TALL, CONTACT BLUMCRAFT



PANIC DEVICE H-100C WITH KEY CYLINDER

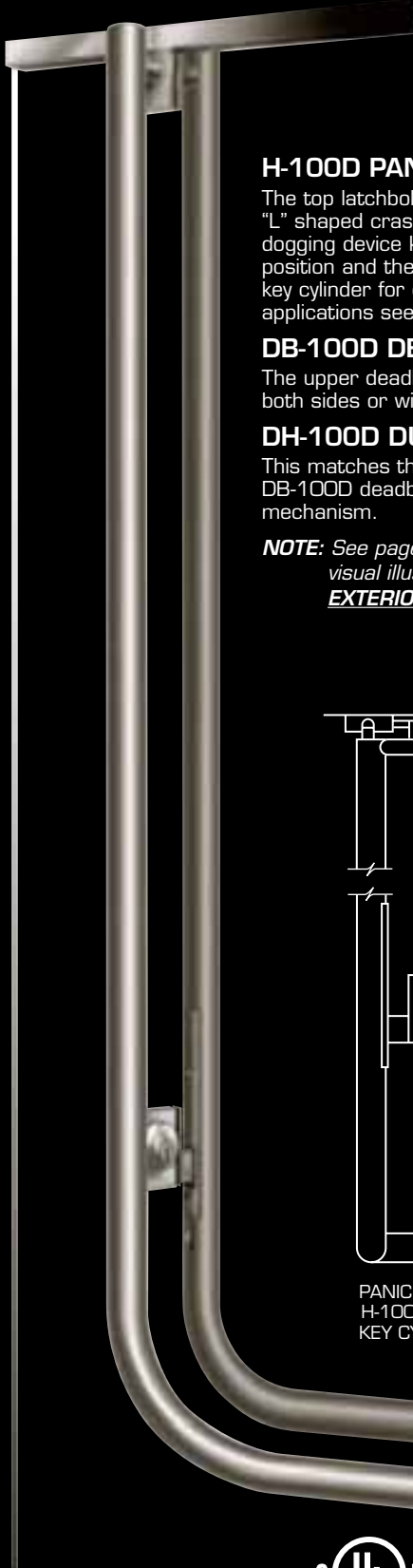


PANIC DEVICE H-100C WITHOUT KEY CYLINDER



DEADBOLT LOCK HOUSING DB-100C WITH KEY CYLINDERS

**SECTIONS**



**H-1000 PANIC DEVICE (SHOWN)**

The top latchbolt is retracted by pushing the interior "L" shaped crash bar. A conveniently located built-in dogging device keeps the latchbolt in the retracted position and the crash bar becomes fixed. Exterior key cylinder for entry is optional. For electric strike applications see pages D30 and D31.

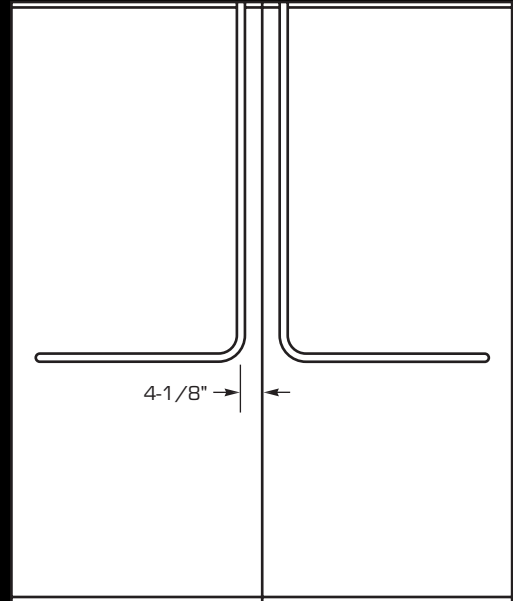
**DB-1000 DEADBOLT HOUSING (SHOWN)**

The upper deadbolt is operated by key cylinders on both sides or with an interior thumbturn.

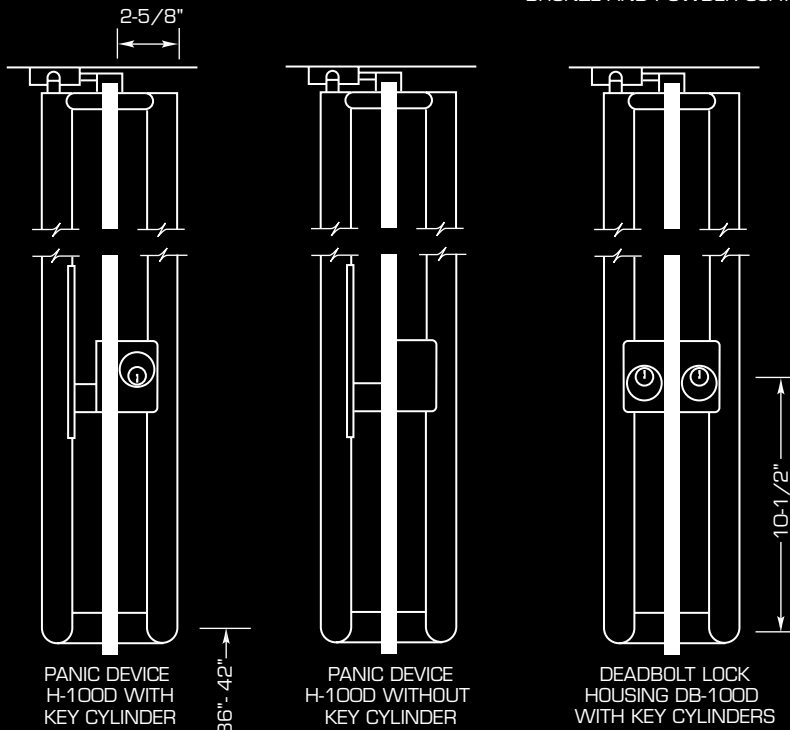
**DH-1000 DUMMY HANDLE**

This matches the H-1000 panic device and the DB-1000 deadbolt housing, but has no locking mechanism.

**NOTE:** See pages D28 and D29 for complete visual illustrations of all **INTERIOR** and **EXTERIOR** hardware.



HARDWARE IS FABRICATED FROM 1-1/4" DIAMETER STAINLESS STEEL OR ARCHITECTURAL BRONZE TUBING IN SATIN OR HIGHLY POLISHED FINISHES. STATUARY BRONZE AND POWDER COATED FINISHES ALSO AVAILABLE



FOR TEMPERED  
GLASS DOORS  
OVER 8'6" TALL,  
CONTACT  
BLUMCRAFT

PANIC DEVICE  
H-1000 WITH  
KEY CYLINDER

PANIC DEVICE  
H-1000 WITHOUT  
KEY CYLINDER

DEADBOLT LOCK  
HOUSING DB-1000  
WITH KEY CYLINDERS

**SECTIONS**

INTERIOR OPERATING PANIC DEVICE H-100  
OR FIXED DEADBOLT HOUSING DB-100

EXTERIOR FIXED PULL HANDLE STYLE "D"



**H-100F PANIC DEVICE (SHOWN)**

The top latchbolt is retracted by pushing the interior "L" shaped crash bar. A conveniently located built-in dogging device keeps the latchbolt in the retracted position and the crash bar becomes fixed. Exterior key cylinder for entry is optional. For electric strike applications see pages D30 and D31.

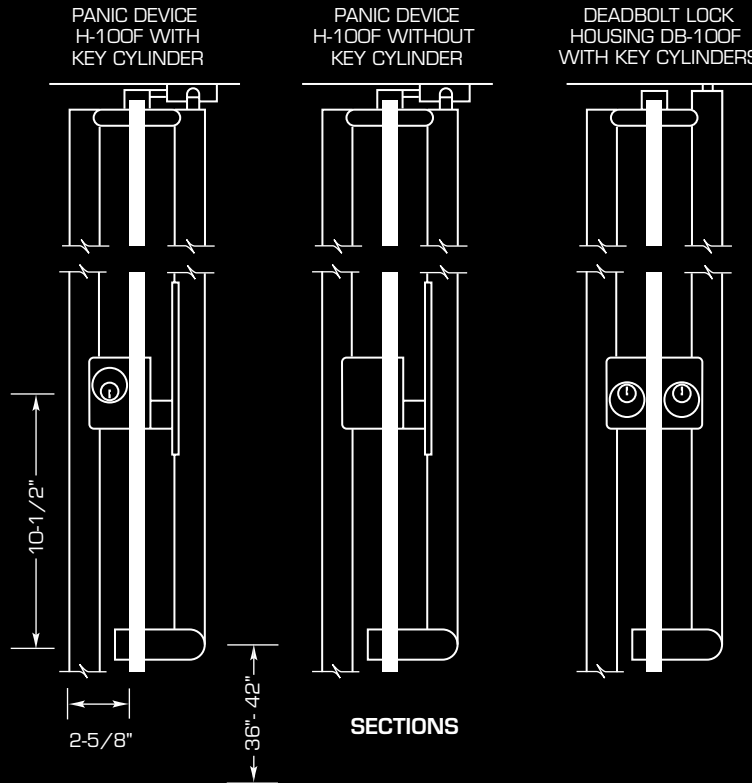
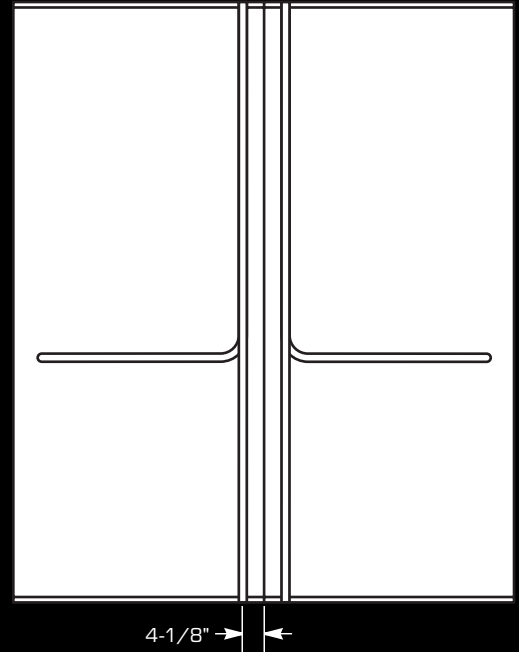
**DB-100F DEADBOLT HOUSING (SHOWN)**

The upper deadbolt is operated by key cylinders on both sides or with an interior thumbturn.

**DH-100F DUMMY HANDLE**

This matches the H-100F panic device and the DB-100F deadbolt housing, but has no locking mechanism.

**NOTE:** See pages D28 and D29 for complete visual illustrations of all **INTERIOR** and **EXTERIOR** hardware.



**EXTERIOR FIXED PULL HANDLES STYLE "F" WITH H-100 PANIC DEVICES MAY NOW BE USED ON 1/2" TEMPERED GLASS DOORS UP TO 9'-0" TALL. CRASH BAR MUST BE 42" FROM BOTTOM OF DOOR. STYLE "F" HANDLE MAY BE FULL HEIGHT OR 10" SHORT OF DOOR BOTTOM.**

HARDWARE IS FABRICATED FROM 1-1/4" DIAMETER STAINLESS STEEL OR ARCHITECTURAL BRONZE TUBING IN SATIN OR HIGHLY POLISHED FINISHES. STATUARY BRONZE AND POWDER COATED FINISHES ALSO AVAILABLE.

INTERIOR OPERATING PANIC DEVICE H-100 OR FIXED DEADBOLT HOUSING DB-100



EXTERIOR FIXED PULL HANDLE STYLE "F"

### H-110A PANIC DEVICE (SHOWN)

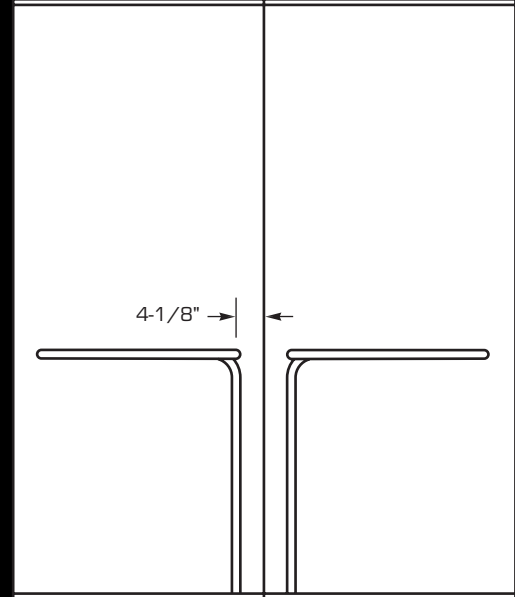
The bottom latchbolt is retracted by pushing the interior inverted "L" shaped crash bar. A conveniently located built-in dogging device keeps the latchbolt in the retracted position and the crash bar becomes fixed. Exterior key cylinder for entry is optional. Threshold is recommended. See pages D30 and D31.

### DB-110A DEADBOLT HOUSING (SHOWN)

The lower deadbolt is operated by key cylinders on both sides or with an interior thumbturn.

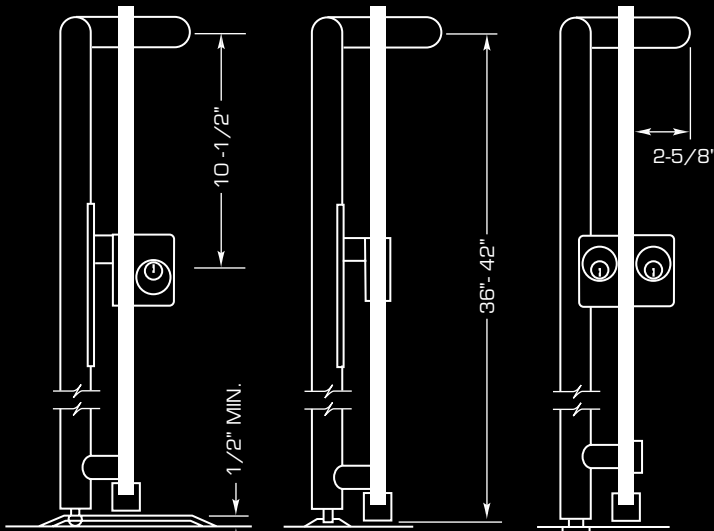
### DH-110A DUMMY HANDLE

This matches the H-110A panic device and the DB-110A deadbolt housing, but has no locking mechanism.



HARDWARE IS FABRICATED FROM 1-1/4" DIAMETER STAINLESS STEEL OR ARCHITECTURAL BRONZE TUBING IN SATIN OR HIGHLY POLISHED FINISHES. STATUARY BRONZE AND POWDER COATED FINISHES ALSO AVAILABLE

FOR TEMPERED GLASS DOORS  
OVER 8'6" TALL, CONTACT BLUMCRAFT

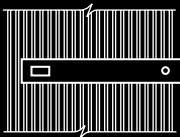


PANIC DEVICE  
H-110A WITH  
KEY CYLINDER

PANIC DEVICE  
H-110A WITHOUT  
KEY CYLINDER

DEADBOLT LOCK  
HOUSING DB-110A  
WITH KEY  
CYLINDERS

#### SECTIONS



THRESHOLD RAMP  
STRIKE S-110-T



FLOOR MOUNTED  
RAMP STRIKE S-110-F



RECESSED STRIKE  
S-110-R



**CAUTION:**  
THRESHOLD RAMP STRIKE IS RECOMMENDED.  
FLOOR MOUNTED RAMP STRIKE  
COULD BE A TRIPPING HAZARD.



INTERIOR OPERATING PANIC DEVICE H-110  
OR FIXED DEADBOLT HOUSING DB-110

EXTERIOR FIXED PULL HANDLE STYLE "A"

**NOTE:** See pages D28 and D29 for complete visual illustrations of all **INTERIOR** and **EXTERIOR** hardware.



### H-110B PANIC DEVICE (SHOWN)

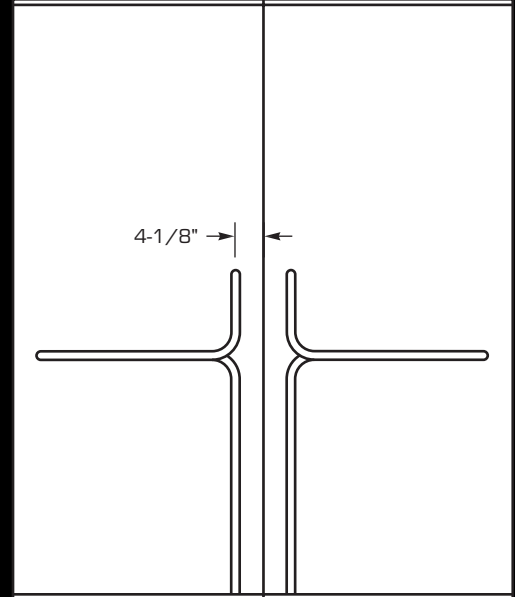
The bottom latchbolt is retracted by pushing the interior inverted "L" shaped crash bar. A conveniently located built-in dogging device keeps the latchbolt in the retracted position and the crash bar becomes fixed. Exterior key cylinder for entry is optional. Threshold is recommended. See pages D30 and D31.

### DB-110B DEADBOLT HOUSING (SHOWN)

The lower deadbolt is operated by key cylinders on both sides or with an interior thumbturn.

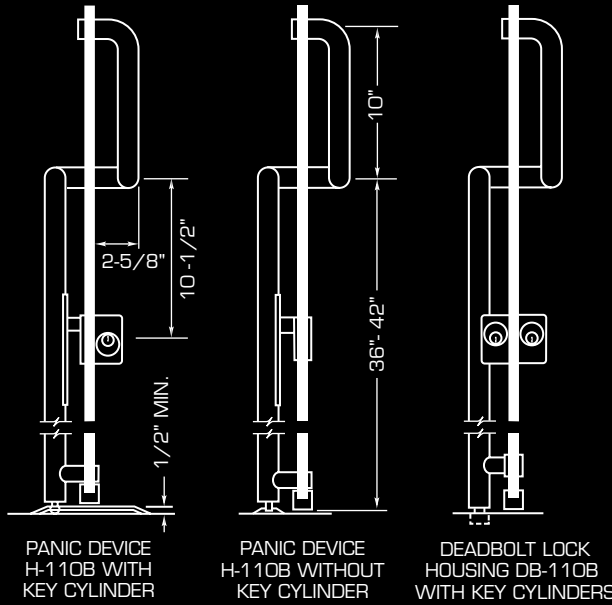
### DH-110B DUMMY HANDLE

This matches the H-110B panic device and the DB-110B deadbolt housing, but has no locking mechanism.



HARDWARE IS FABRICATED FROM 1-1/4" DIAMETER STAINLESS STEEL OR ARCHITECTURAL BRONZE TUBING IN SATIN OR HIGHLY POLISHED FINISHES. STATUARY BRONZE AND POWDER COATED FINISHES ALSO AVAILABLE

FOR TEMPERED GLASS DOORS  
OVER 8'6" TALL, CONTACT BLUMCRAFT

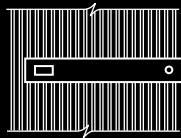


PANIC DEVICE  
H-110B WITH  
KEY CYLINDER

PANIC DEVICE  
H-110B WITHOUT  
KEY CYLINDER

DEADBOLT LOCK  
HOUSING DB-110B  
WITH KEY CYLINDERS

#### SECTIONS



THRESHOLD  
RAMP STRIKE  
S-110-T



FLOOR MOUNTED  
RAMP STRIKE  
S-110-F



RECESSED  
STRIKE  
S-110-R



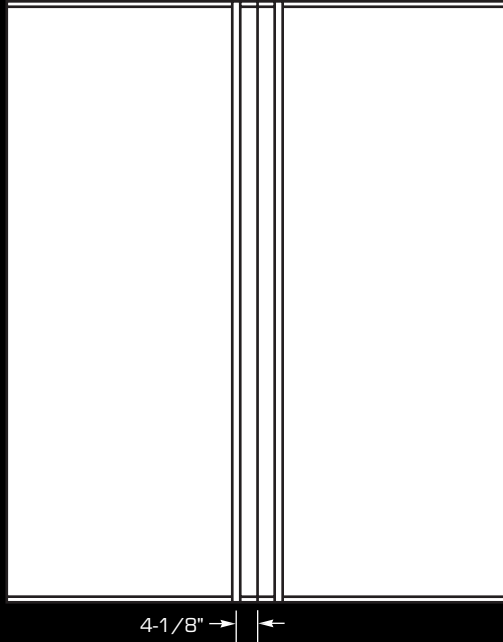
**CAUTION:**  
THRESHOLD RAMP STRIKE IS RECOMMENDED.  
FLOOR MOUNTED RAMP STRIKE  
COULD BE A TRIPPING HAZARD.



INTERIOR OPERATING PANIC DEVICE H-110  
OR FIXED DEADBOLT HOUSING DB-110

EXTERIOR FIXED PULL HANDLE STYLE "B"

**NOTE:** See pages D28 and D29 for complete visual illustrations of all **INTERIOR** and **EXTERIOR** hardware.



4-1/8" → ←

HARDWARE IS FABRICATED FROM 1-1/4" DIAMETER STAINLESS STEEL OR ARCHITECTURAL BRONZE TUBING IN SATIN OR HIGHLY POLISHED FINISHES. STATUARY BRONZE AND POWDER COATED FINISHES ALSO AVAILABLE

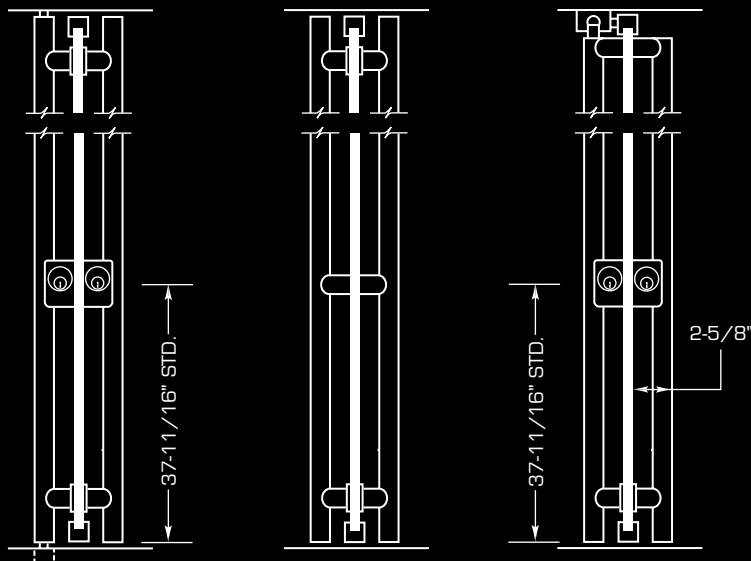
INTERIOR  
DEADBOLT  
HOUSING  
DB-130

### DB-130-F DEADBOLT HOUSING (SHOWN)

This versatile hardware can have top **AND** bottom bolts simultaneously operated by key cylinders on both sides or by interior thumbturn. Locking bolts also can be at **TOP** only or at **BOTTOM** only.

**NEW DEVELOPMENT**  
Patent Pending

Blumcraft's top locking deadbolt hardware, DB-100, DB-130, DB-160, and DB-170 now has the capability of self-latching with key cylinders or thumbturns that spring-back when turned. This hardware is similar to the H-100 panic device except there is no crash bar for immediate exit. This new function allows entry or exit by key cylinders without the relocking requirement of previous models, i.e. the top bolt is always ready to re-latch into a standard strike or an electric strike. This hardware also incorporates a unique feature similar to a panic dogging device that can retract the top bolt and retain it, making the deadbolts ordinary push/pull handles. These deadbolts with the new feature are called DBL-100, DBL-130, DBL-160, and DBL-170 having the same look as the previous models. This hardware can be used in combination with Blumcraft exterior pull handles designated by letters. Local building codes should be reviewed for compliance. Contact Blumcraft for additional information.



DB-130F DEADBOLT HOUSING WITH TOP AND BOTTOM BOLTS

DH-130F DUMMY HANDLE WITH NO LOCKING MECHANISM

DB-130F DEADBOLT HOUSING WITH TOP LATCHBOLT ADAPTABLE FOR ELECTRIC STRIKE

### DH-130F DUMMY HANDLE (SHOWN)

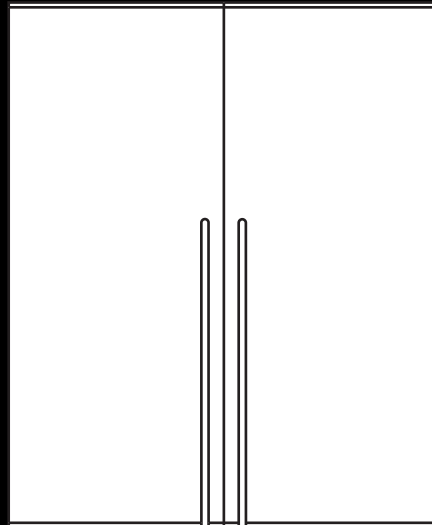
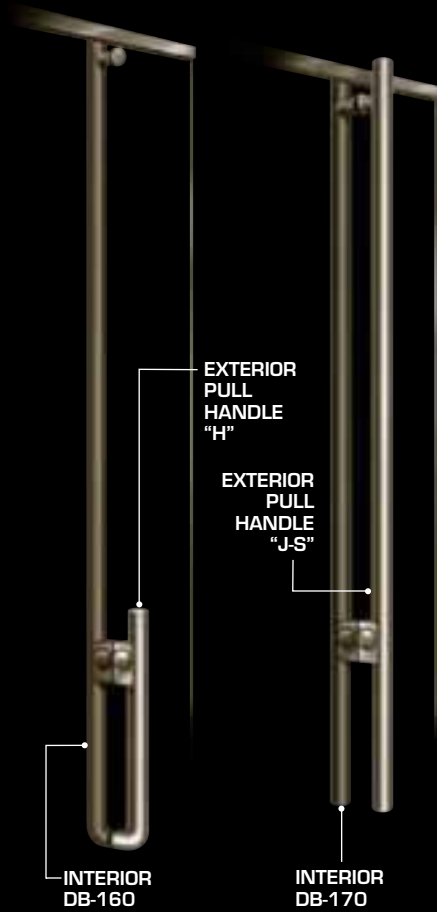
This matches the DB-130F deadbolt housing but has no locking mechanism.

**NOTE:** See pages D28 and D29 for complete visual illustrations of all **INTERIOR** and **EXTERIOR** hardware.

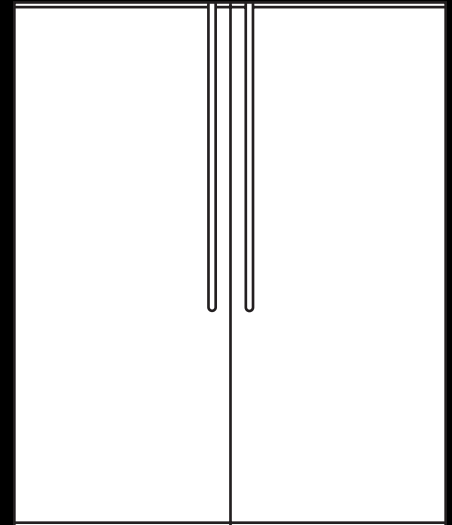
EXTERIOR  
FIXED PULL  
HANDLE  
STYLE "F"

**DB-130F DEADBOLT HOUSINGS ARE AVAILABLE 10" SHORT OF THE DOOR BOTTOM WITH A TOP BOLT ONLY**

HARDWARE IS FABRICATED FROM 1-1/4" DIAMETER STAINLESS STEEL OR ARCHITECTURAL BRONZE TUBING IN SATIN OR HIGHLY POLISHED FINISHES. STATUARY BRONZE AND POWDER COATED FINISHES ALSO AVAILABLE

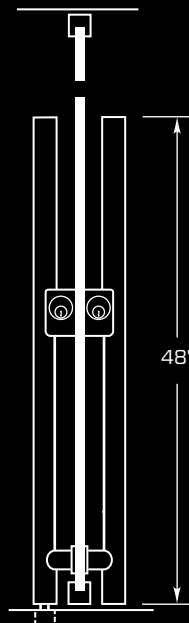
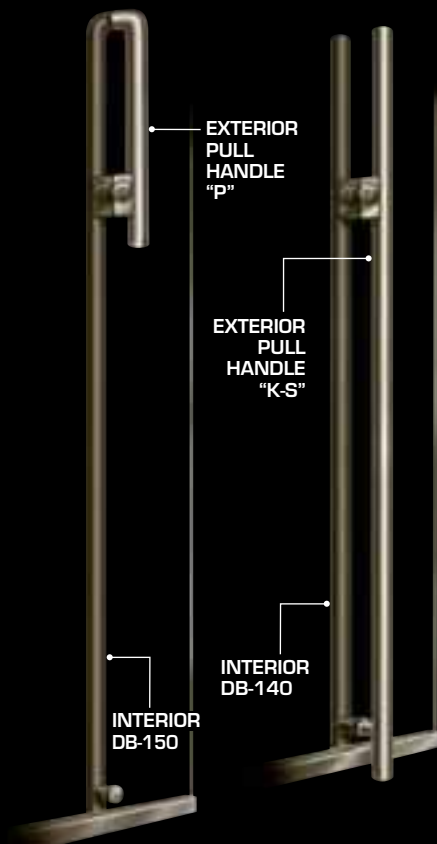


DEADBOLT HOUSINGS  
DB-140-K-S AND DB-150-P  
MATCHING DUMMY HANDLES  
DH-140-K-S AND DH-150-P  
WITHOUT LOCKING MECHANISMS

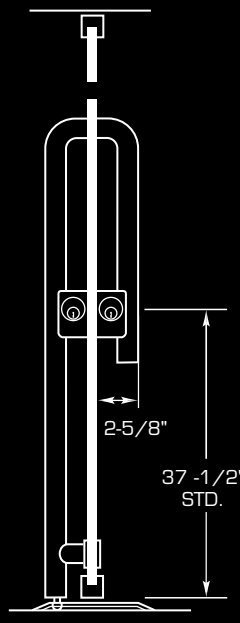


DEADBOLT HOUSINGS  
DB-160-H AND DB-170-J-S  
MATCHING DUMMY HANDLES  
DH-160-H AND DH-170-J-S  
WITHOUT LOCKING MECHANISMS

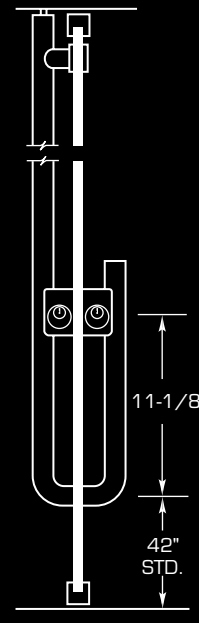
ALL DEADBOLT HOUSINGS ARE OPERATED BY KEY CYLINDERS ON BOTH SIDES OR WITH AN INTERIOR THUMBTURN



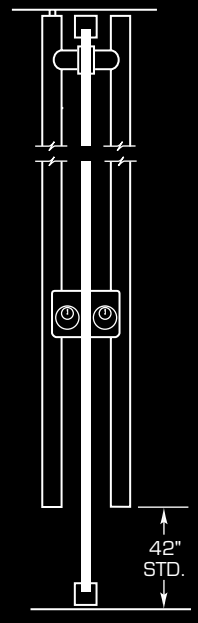
DEADBOLT  
LOCK HOUSING  
DB-140-K-S



DEADBOLT  
LOCK HOUSING  
DB-150-P



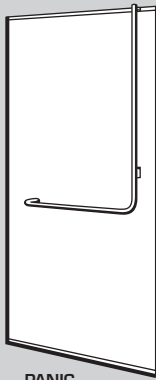
DEADBOLT  
LOCK HOUSING  
DB-160-H



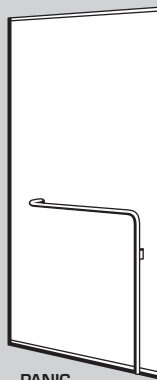
DEADBOLT  
LOCK HOUSING  
DB-170-J-S

NOTE: See pages D28 and D29 for complete visual illustrations of all **INTERIOR** and **EXTERIOR** hardware.

**PANIC  
DEVICES**  
WITH  
OPERATING  
HANDLES ON  
**INTERIOR**  
SIDE OF DOOR

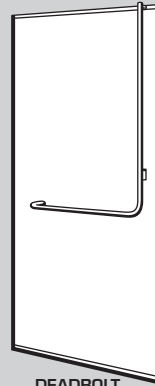


PANIC  
H-100

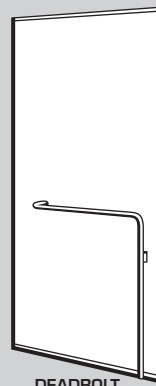


PANIC  
H-110

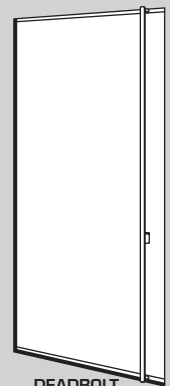
**DEADBOLT  
LOCK  
HOUSINGS**  
WITH LOCKING  
MECHANISM ON  
**INTERIOR**  
SIDE OF DOOR



DEADBOLT  
DB-100



DEADBOLT  
DB-110

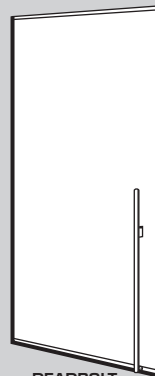


DEADBOLT  
DB-130

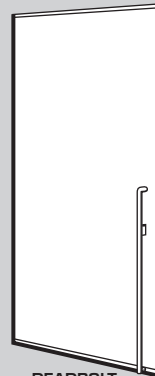
**MAXIMUM DOOR HEIGHTS FOR H-100 ONLY**  
With Crash Bar at 42" High

DOOR HEIGHT	GLASS THICKNESS	EXTERIOR HANDLES APPLICABLE
8'-6"	1/2"	All
9'-0"	1/2"	"F" Full Height
9'-0"	1/2"	"F" 10" Short of Door Bottom
9'-0"	3/4"	All

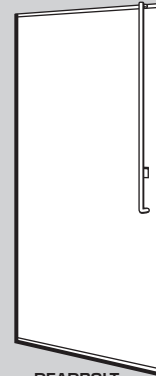
PANIC DEVICES, DEADBOLT HOUSINGS AND  
DUMMY HANDLES AVAILABLE IN STAINLESS STEEL  
OR ARCHITECTURAL BRONZE



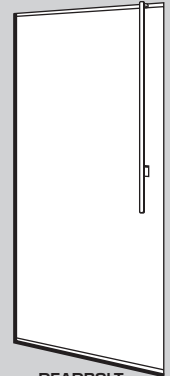
DEADBOLT  
DB-140



DEADBOLT  
DB-150



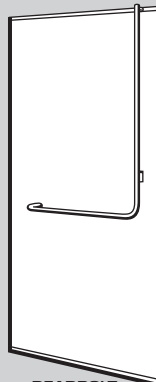
DEADBOLT  
DB-160



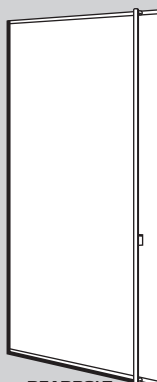
DEADBOLT  
DB-170

**DBL  
DEADBOLT  
HARDWARE**  
WITH  
LATCHING  
MECHANISM  
ON  
**INTERIOR**  
SIDE OF DOOR

FOR COMPLETE  
DESCRIPTION  
SEE PAGE D26

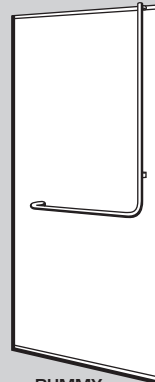


DEADBOLT  
DBL-100

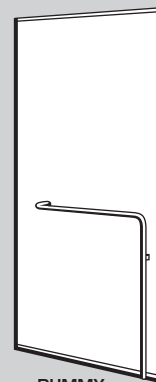


DEADBOLT  
DBL-130

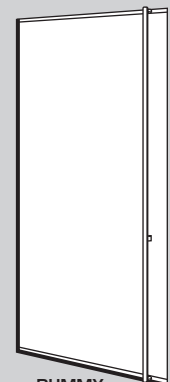
**DUMMY  
HANDLES**  
WITH **NO**  
LOCKING  
MECHANISM  
ON  
**INTERIOR**  
SIDE OF DOOR



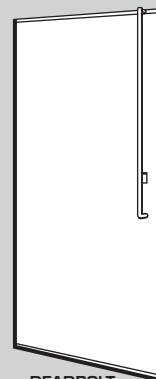
DUMMY  
DH-100



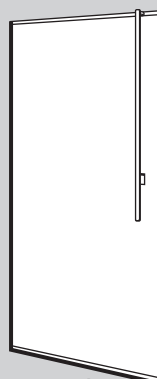
DUMMY  
DH-110



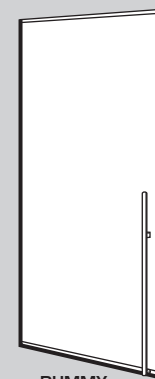
DUMMY  
DH-130



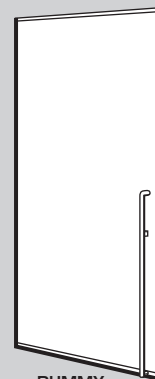
DEADBOLT  
DBL-160



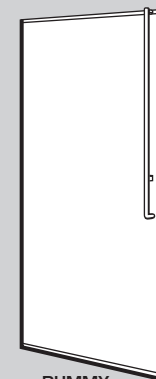
DEADBOLT  
DBL-170



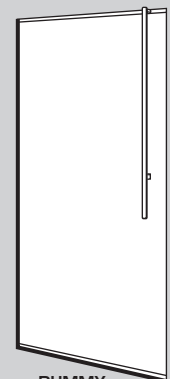
DUMMY  
DH-140



DUMMY  
DH-150



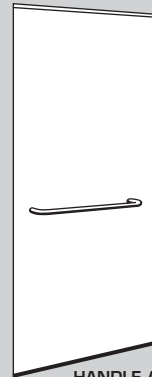
DUMMY  
DH-160



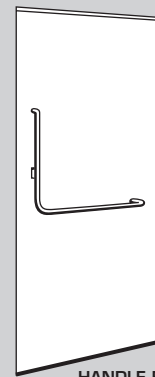
DUMMY  
DH-170

THE **EXTERIOR** PUSH/PULL HANDLES ON THIS PAGE CAN BE USED WITH ANY **INTERIOR** PANIC DEVICE, DEADBOLT HOUSING, OR DUMMY HANDLE SHOWN ON PAGE D28. WITH OVER 140 COMBINATIONS AVAILABLE, THE ARCHITECT CAN SELECT FROM A WIDE VARIETY OF OPTIONS

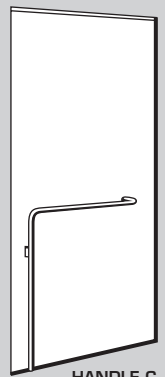
PUSH/PULL HANDLES AVAILABLE IN STAINLESS STEEL OR ARCHITECTURAL BRONZE



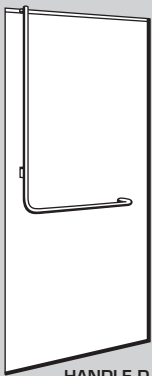
HANDLE A



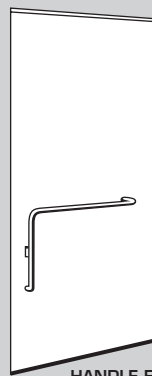
HANDLE B



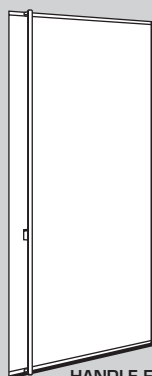
HANDLE C



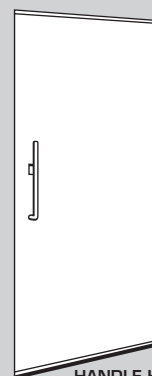
HANDLE D



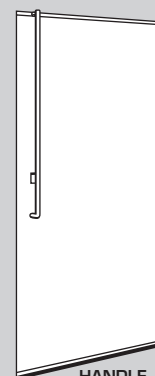
HANDLE E



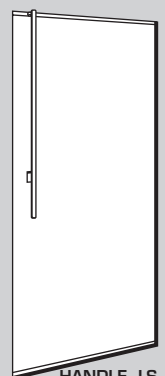
HANDLE F



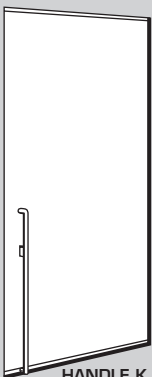
HANDLE H



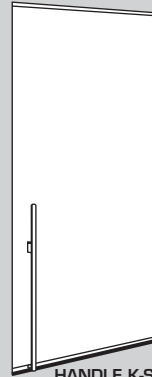
HANDLE J



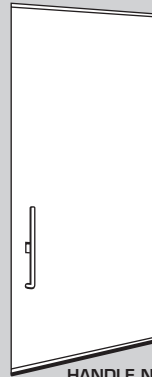
HANDLE J-S



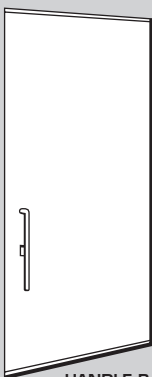
HANDLE K



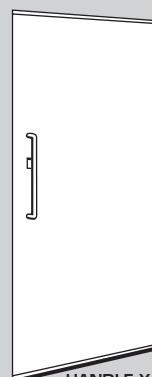
HANDLE K-S



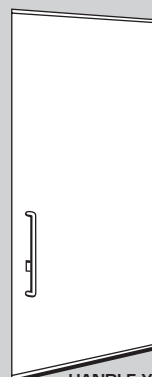
HANDLE N



HANDLE P



HANDLE X



HANDLE Y

### HOW TO SPECIFY THE INTERIOR *AND* EXTERIOR HARDWARE COMBINATION

1. INTERIOR OPERATING HANDLE (Select Prefix)	H* = PANIC	DH = DUMMY	<input type="text"/>
	DB = DEADBOLT	DBL** = LATCHING	

\* APPLICABLE ONLY WITH 100 AND 110

\*\* APPLICABLE ONLY WITH 100, 130, 160, AND 170

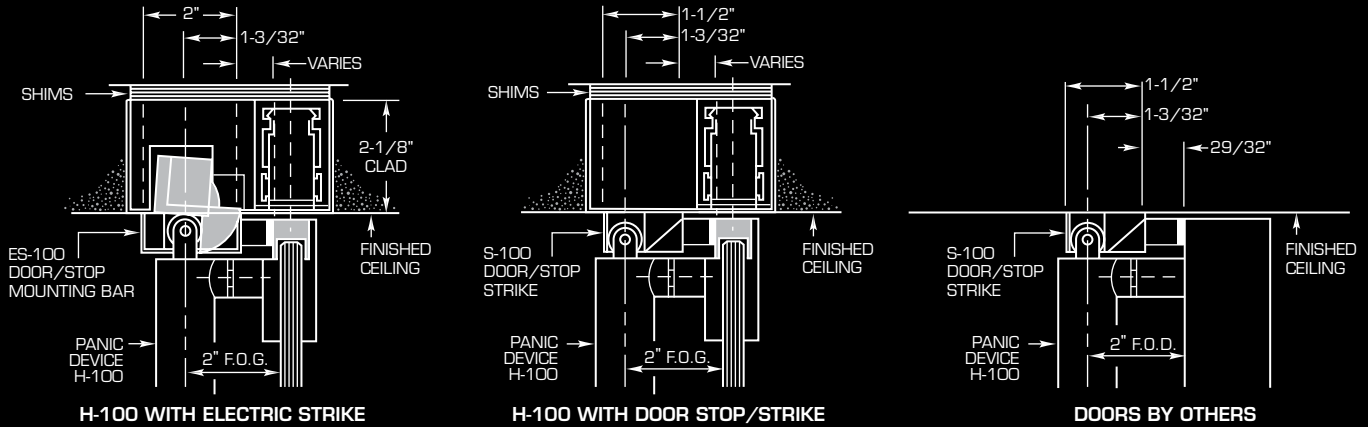
2. INTERIOR OPERATING HANDLE STYLE (Select One)	100	110	130	140	<input type="text"/>
	150	160	170		

3. EXTERIOR PUSH/PULL HANDLE (Select One)	A	B	C	D	<input type="text"/>
	E	F	H	J	
	J-S	K	K-S	N	
	P	X	Y		

COMBINE THE THREE SELECTIONS

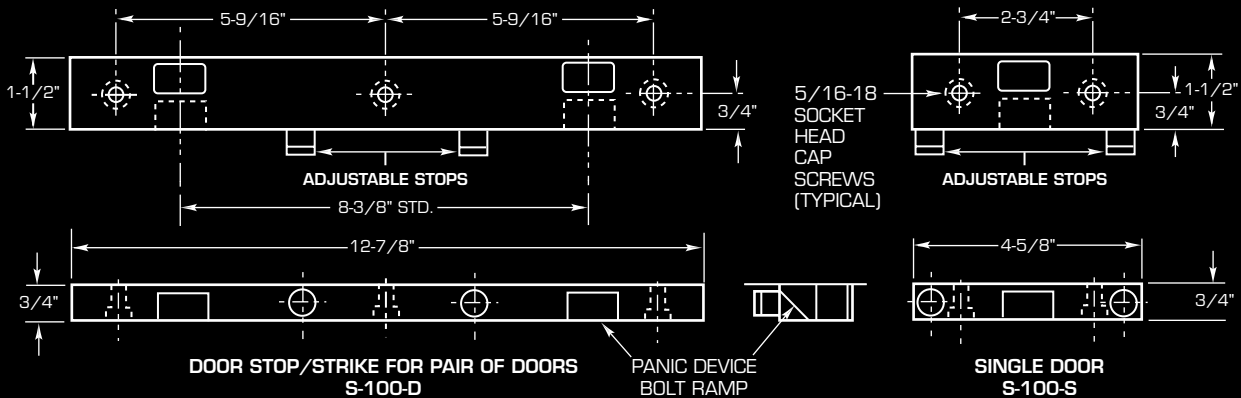
EXAMPLE: **H** - **100** - **A**  
1. 2. 3.

**H-100 PANIC DEVICE APPLICATIONS**



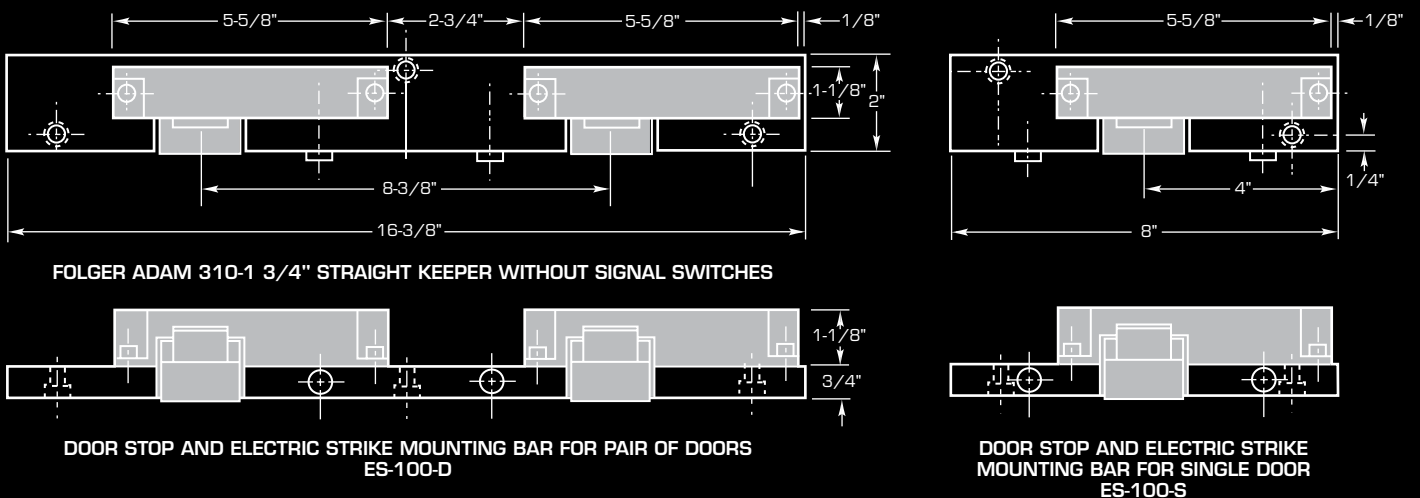
**NOTE: SH-100 SWITCH HOUSINGS, WHILE SIMILAR IN APPEARANCE TO H-100 PANIC DEVICES, HAVE A SWITCHING FUNCTION THAT ONLY OPERATES INDEPENDENT ELECTRIC LOCKS. THESE ELECTRIC LOCKS CAN BE ELECTROMAGNETIC, DROP BOLTS, OR SHEAR LOCKS. CONTACT BLUMCRAFT WITH MODEL NUMBER OF SELECTED LOCK TO INSURE COMPATIBILITY.**

**DOOR STOP/STRIKES FOR H-100 PANIC DEVICES**



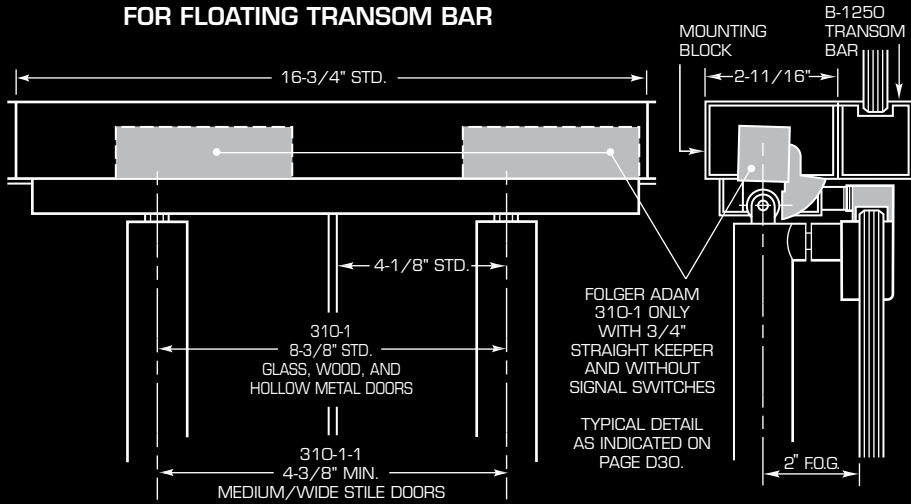
**NOTE: DOORSTOP/STRIKES FOR DEADBOLT HOUSINGS ARE SIMILAR TO THE ABOVE, EXCEPT THAT THEY HAVE NO PANIC BOLT RAMP. MOUNTING HOLES ARE IDENTICAL.**

**ELECTRIC STRIKE APPLICATIONS**

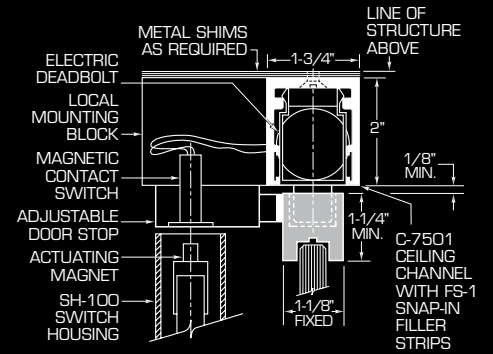


**THE ES-100-D DOOR STOP/MOUNTING BAR IS ALSO AVAILABLE WITH AN ELECTRIC STRIKE ON ONLY ONE SIDE.**

**TYPICAL DOOR STOP AND ELECTRIC STRIKE CONDITION FOR FLOATING TRANSOM BAR**

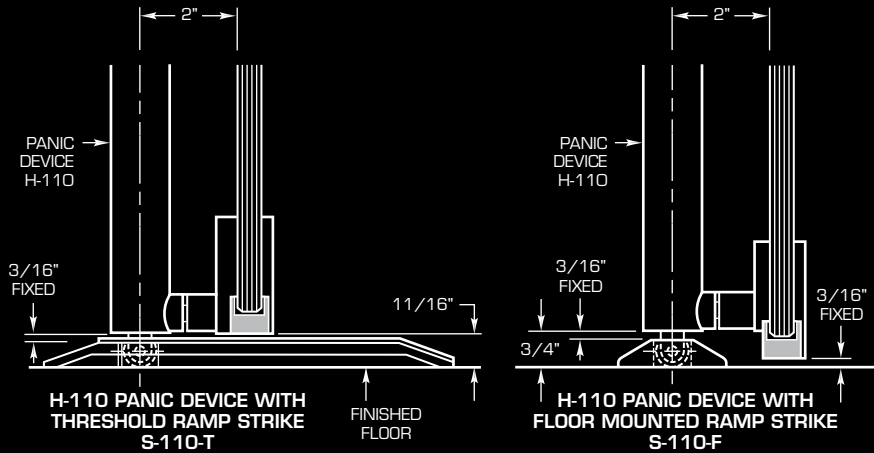


**SH-100 SWITCH HOUSING (TO ACTUATE ELECTRIC LOCK)**

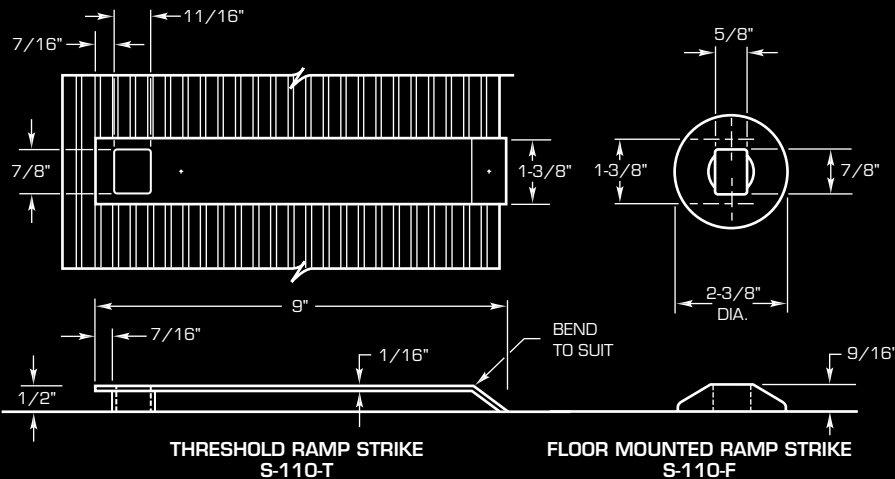


NOTE: RAILS CAN BE ADAPTED FOR VARIOUS TYPES OF ELECTROMAGNETIC LOCKS OR ELECTRIC DEADBOLTS, CONTACT BLUMCRAFT WITH MODEL NUMBER OF SELECTED LOCK TO INSURE COMPATIBILITY.

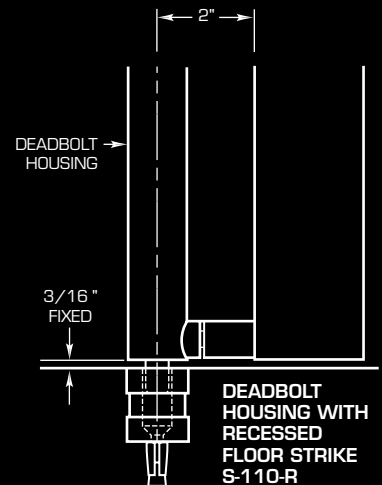
**H-110 PANIC DEVICE APPLICATIONS**



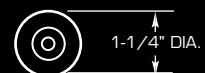
**STRIKES FOR H-110 PANIC DEVICES**



**DEADBOLT HOUSING APPLICATIONS**



**STRIKE FOR DEADBOLT HOUSINGS**



**RECESSED FLOOR STRIKE (DEADBOLT HOUSING ONLY) S-110-R**

**ALL HANDLES SHOWN ON PAGES 32 AND 33 CAN  
BE ADAPTED TO GLASS, WOOD OR METAL DOORS  
AND ARE AVAILABLE IN THE FOLLOWING  
MATERIALS AND FINISHES:**

**ALUMINUM** — SATIN CLEAR ANODIZED AND DARK BRONZE  
OR BLACK DURANODIC

**SOLID BRONZE** — SATIN OR HIGH BUFF LUSTRE

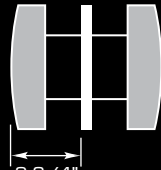
**STAINLESS STEEL** — SATIN OR HIGH BUFF LUSTRE



**P-730 METAL HANDLE**



**FRONT VIEW**



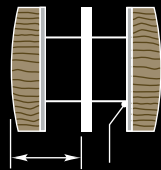
**SIDE VIEW**



**P-730W WOOD HANDLE**

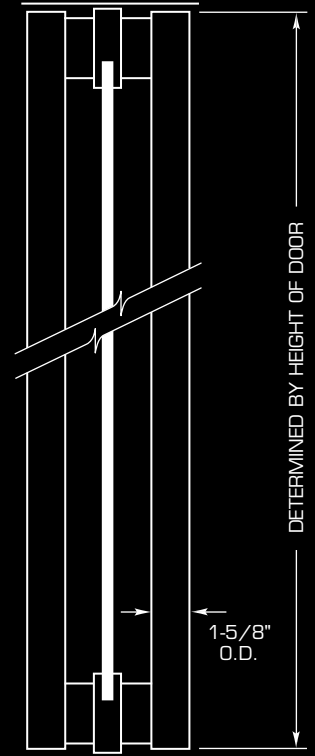
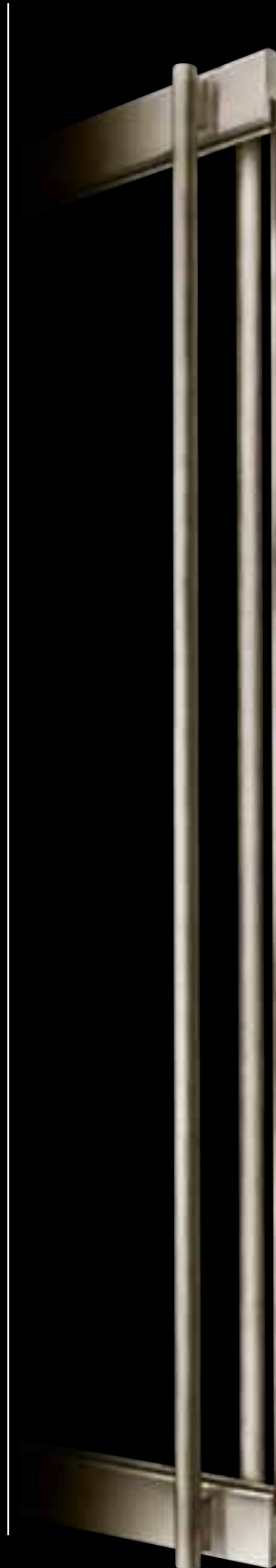


**FRONT VIEW**



**SIDE VIEW**

**WOOD** — WALNUT OR OAK AS STANDARD - ALSO AVAILABLE  
IN OTHER WOOD SPECIES

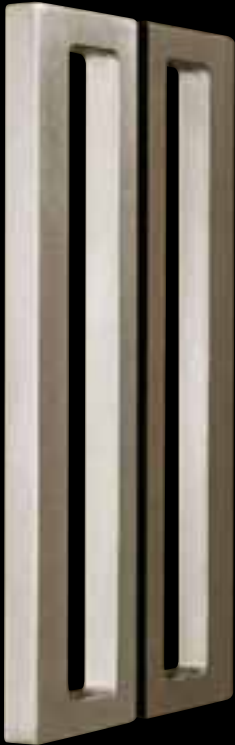


**SIDE VIEW**

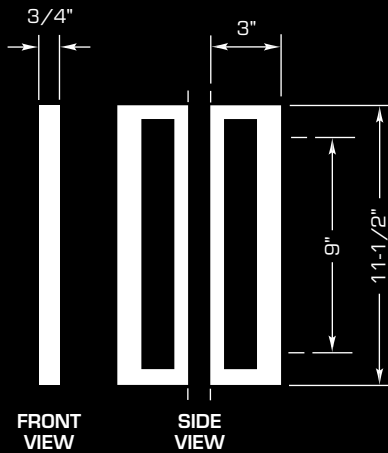
SCALE: 1-1/2" = 1'-0"

**P-722 FULL HEIGHT  
PUSH-PULL HANDLE**  
*Both Sides of Door*

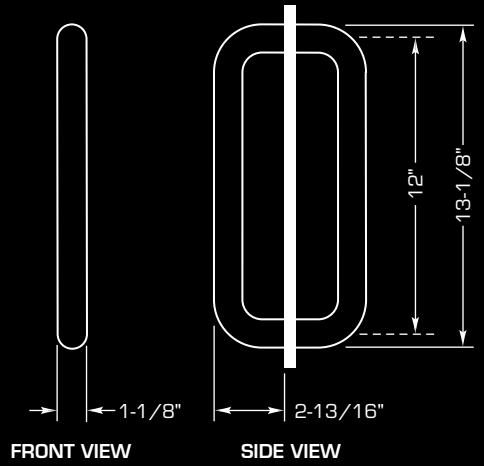




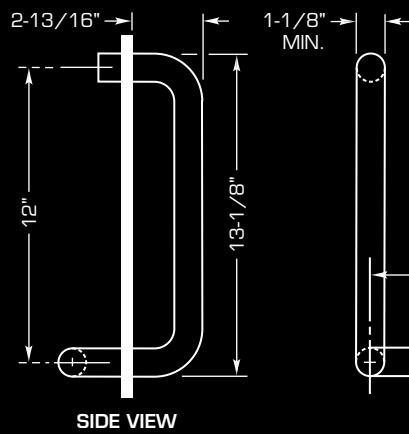
**P-740 HANDLE**  
*Both Sides of Door*



**P-751A HANDLE**  
 $1-1/8"$  DIA.  
*Both Sides of Door*

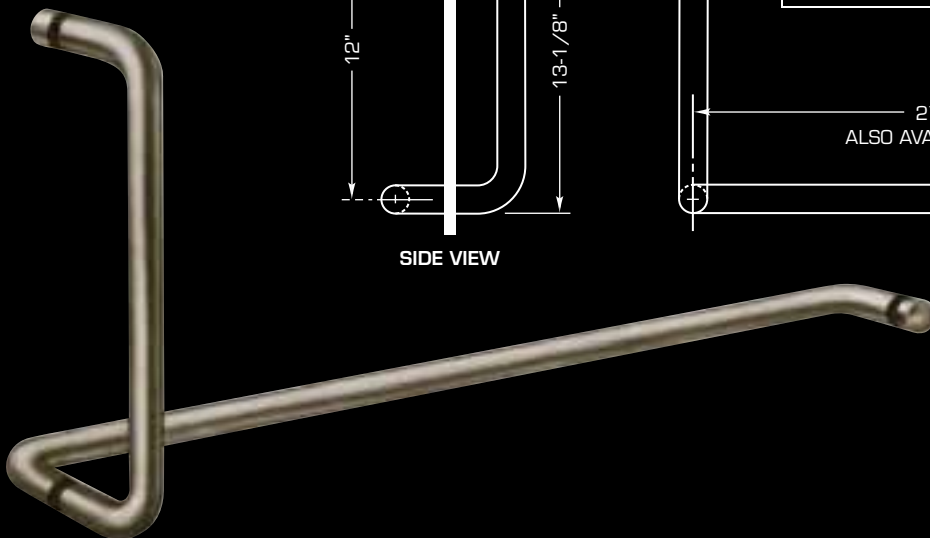


**P-752A HANDLE**  
 $1-1/8"$  DIA.  
*Both Sides of Door*



$27-3/4"$  STANDARD  
ALSO AVAILABLE IN OTHER WIDTHS

FRONT VIEW





**CENTER HOUSING INFORMATION AND SPECIFICATIONS**

CH-800 center lock housings are designed to receive mortise latchlocks, mortise deadbolts, or combination latchlock/deadbolts manufactured by Russwin/Corbin, Schlage, Sargent or Best. (Others upon request).

Mortise locks come in a variety of functions such as "classroom," "entrance," "office," "apartment" and others. These locks can be operated by levers, cylinders, or thumbturns. A hold-back feature is optional. Pull handles are available.

**To specify center housings, choose a lock manufacturer, lock function, lever or pull handle, finish, and whether electric strikes are required.**

CH-800 and CH-802 strike housings are prepared to accept the specified latchbolt or deadbolt. Strike housings can receive Folger Adam 310-1 electric strikes. A raceway connects the center housing and door or sidelight rail to carry wiring to a control station or card reader.

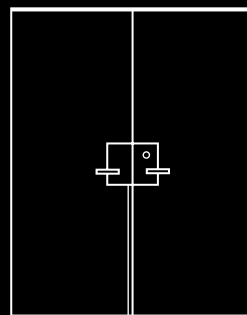
CH-801 full width strike housings are similar to CH-800 and CH-802 but are only mounted to sidelights. These housings internally carry wiring to a control station or card reader for electric strike applications, eliminating the need for vertical raceways.

CH-850 center housings are available with #7385-L deadlocks only. CH-851 center strike housings are available to match the lock housing.

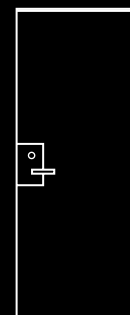
**Caution:**

If center lock and strike housings are applied to a pair of doors, the one door becomes active. For security, the inactive door must be deadlocked. It is suggested that the doors be independently operated. Use of the panic and deadbolt hardware shown on the previous pages provides this convenience. Also, the same hardware has Underwriters Laboratories approval and is in compliance with the American with Disabilities Act (ADA).

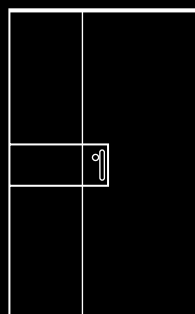
**CENTER HOUSING ELECTRIC STRIKE ADAPPTIONS**



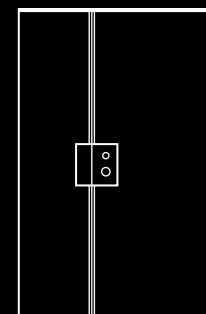
**CH-800 CENTER HOUSING WITH ELECTRIC STRIKE**  
USED WITH ALL DOOR SERIES EXCEPT 250 SERIES DOOR



**CH-800 CENTER HOUSING WITH LOCK FOR FRAME OR WALL MOUNTED ELECTRIC STRIKE**  
USED WITH ALL DOOR SERIES EXCEPT 250 SERIES DOOR



**CH-800 CENTER HOUSING AND CH-801 STRIKE HOUSING**  
USED WITH SIDELIGHT AND ALL DOOR SERIES EXCEPT 250 SERIES DOOR



**CH-800 CENTER HOUSING AND CH-802 STRIKE HOUSING**  
USED WITH SIDELIGHT AND ALL DOOR SERIES EXCEPT 250 SERIES DOOR

**FINISHES**

**Aluminum** Clear Anodized, Satin or High Buff Luster, Medium or Dark Bronze Duranodic and Black Duranodic (satin finish only).

**Bronze 60/40** Satin US10, Polished US9, Statuary US10B.

*NOTE: Furnished not laquered. Contact Blumcraft for suggested maintenance.*

**Stainless Steel** Satin US32D, Polished US32

Mortise locks are generally supplied in satin or polished architectural bronze or stainless steel; statuary bronze is also available.

**THRU-GLASS LOCKS**

**3/4" THROW**

**1/2", 5/8" OR 3/4" TEMPERED GLASS**

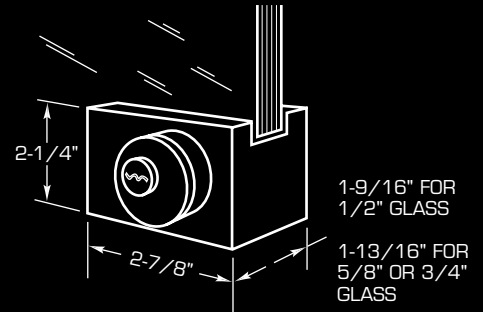
AVAILABLE IN STAINLESS STEEL, BRONZE OR ALUMINUM IN A VARIETY OF FINISHES

**1351  
CENTER HOUSING  
DEADBOLT LOCK**

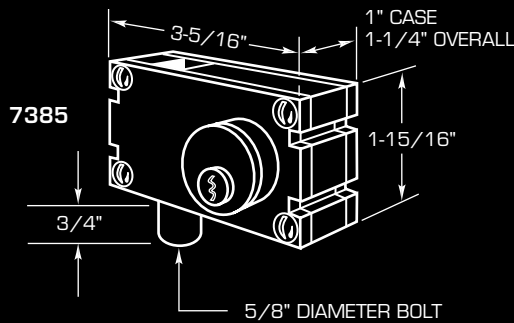


**1352  
STRIKE HOUSING**

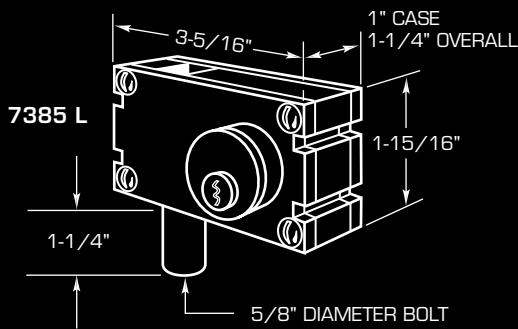
**1350  
CORNER LOCK**



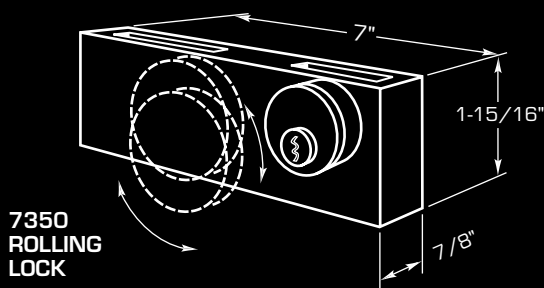
**RAIL DEAD LOCKS**



THIS BLUMCRAFT DEADLOCK HAS A 5/8" DIAMETER DROP BOLT WITH A 3/4" THROW THAT CAN ENGAGE INTO A STRIKE PLATE, THRESHOLD, OR DUST-PROOF STRIKE. THE 7385 LOCK CAN BE MOUNTED IN THE BLUMCRAFT 640C DOOR AND MOST TEMPERED GLASS DOORS. STANDARD MORTISE KEY CYLINDERS ARE HELD IN POSITION WITH SET SCREWS THAT ARE ACCESSIBLE FROM THE END OF THE DOOR RAIL.



THIS DEAD LOCK IS THE SAME AS THE STANDARD 7385 EXCEPT THAT IT HAS A FULL 1-1/4" THROW. THE ADDITIONAL ENGAGEMENT CAN ACCOMMODATE CLEARANCES UP TO 11/16" OR SPECIAL FLOOR CONDITIONS.



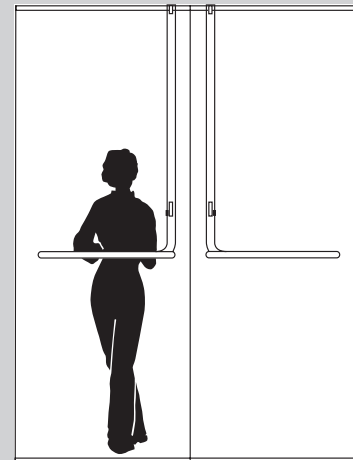
THIS BLUMCRAFT DEADLOCK HAS A CYLINDRICALLY SHAPED BOLT THAT ROLLS RATHER THAN SLIDES. ROLLING REDUCES THE CONTACT AREA SURROUNDING THE BOLT AND THE POSSIBILITY OF FREEZING IN AN OPEN OR CLOSED POSITION. WHEN LOCKED, THE BOLT BECOMES VERY DIFFICULT TO DAMAGE BECAUSE IT REVOLVES ON ITS OWN AXIS. BALL BEARINGS SMOOTH OUT THE OPERATION OF ALL STAINLESS STEEL MOVING PARTS. SIX PIN MORTISE CYLINDERS ARE STANDARD AND CAN BE KEYED ALIKE OR KEYED SEPARATELY.

**GUIDELINES**

- EXTERIOR USE** 8'-0" HIGH FOR 1/2" THICK GLASS  
 8'-6" HIGH FOR 5/8" OR 3/4" THICK GLASS
- INTERIOR USE** 8'-6" HIGH FOR 1/2" THICK GLASS  
 9'-0" HIGH FOR 5/8" OR 3/4" THICK GLASS

*SINCE INCREASED SIZES MAKE THE DOORS HEAVIER AND MORE FLEXIBLE, CONSIDER THE FOLLOWING:*

- WINDLOAD, STACK ACTION, AND VENTILATION LOADS
- PANIC DEVICE AND DEADBOLT HOUSING LIMITATIONS
- MOUNTING CONDITIONS OF DOORS TO BUILDING STRUCTURE
- FLOOR CLOSER OR OVERHEAD CLOSER CHARACTERISTICS
- HEAVY USAGE AND FREQUENCY OF OPERATION
- COMFORTABLE FEEL OF THE DOOR DURING OPERATION



*FINAL DETERMINATION SHOULD BE MADE BY THE ARCHITECT'S STRUCTURAL ENGINEER*

**SPECIFICATIONS**

1/2" THICK FULLY TEMPERED GLASS IS AVAILABLE IN CLEAR, SOLARBRONZE, SOLARGRAY, STARPHIRE LOW-IRON, SATIN ETCH, AND SATIN ETCH/LOW IRON.  
 5/8" AND 3/4" GLASS AVAILABLE IN CLEAR AND STARPHIRE LOW-IRON ONLY.

**SERIES 1301 DOORS**

SERIES 1301 DOORS ARE AVAILABLE IN 1/2", 5/8", AND 3/4" TEMPERED GLASS. THE TOP AND BOTTOM RAILS ARE FURNISHED IN 3/4" HIGH SOLID ARCHITECTURAL BRONZE OR STAINLESS STEEL TO BE USED WITH BLUMCRAFT CEILING CHANNELS OR TRANSOM BARS WHERE THE TOP PIVOT RECEPTACLES ARE RECESSED AND ADJUSTABLE. SPECIAL REMOVABLE SPINDLE FITS DORMA BTS-80 FLOOR CLOSERS. WHEN OVERHEAD CLOSERS ARE USED, A CIRCULAR ADAPTER FITS THE CLOSER PINTEL. RECESSED BOTTOM PIVOT IS BP-13.

**IMPORTANT: THE SERIES 1301 TOP AND BOTTOM RAILS CAN VARY IN SIZE TO ACCOMMODATE ELECTRO-MAGNETIC LOCKS, ELECTRIC DROP BOLTS, AUTOMATIC OPERATORS, OVERHEAD CLOSERS, WALKING BEAM TOP PIVOTS, AND TO ALIGN WITH ADJACENT MATERIALS. CONTACT FACTORY FOR DETAILS.**

*FINISHES FOR SERIES 1301 DOORS*

- STAINLESS STEEL:** SATIN US32D, POLISHED US32, POWDER COAT
- BRONZE:** SATIN US10, POLISHED US9, STATUARY US10B
- ALUMINUM:** NOT AVAILABLE

*FLOOR/OVERHEAD CLOSERS FOR SERIES 1301 DOORS*

- DORMA BTS-75V** FLOOR CLOSERS
- DORMA BTS-80** FLOOR CLOSERS
- JACKSON 900** FLOOR CLOSERS
- DORMA RTS-88** OVERHEAD CLOSERS

**WEATHERSTRIPPING**

PILE WEATHERSTRIPPING CAN BE APPLIED TO EDGES OF GLASS. IT IS REPLACEABLE WITHOUT REMOVING DOORS FROM THEIR OPENINGS.

**SIDELIGHTS**

SIDELIGHTS TYPICALLY HAVE TOP/BOTTOM RAILS TO MATCH THE DOORS, BUT A VARIETY OF OPTIONS ARE ALSO AVAILABLE. THEY CAN BE RECESSED INTO CEILING OR BASE CHANNELS FOR AN ALL GLASS LOOK AND ARE GENERALLY FURNISHED COMPLETELY BY BLUMCRAFT.

**OTHER DOOR SERIES**

**SERIES 250 DOORS**

HORIZONTAL TOP AND BOTTOM RAILS ARE FURNISHED IN SOLID ALUMINUM SECTIONS 1-1/4" THICK FOR 1/2" GLASS. FOR 5/8" AND 3/4" GLASS, THE RAILS ARE 1-1/2" THICK. VERTICAL STILES MUST BE THE EXACT SHAPE AND SIZE TO MATCH THE RAILS. THESE STILES ARE BONDED TO THE GLASS IN BLUMCRAFT'S FACTORY AND MAY HAVE PILE WEATHERSTRIPPING APPLIED. HOLLOW SHAPES OR CHANNEL SECTIONS WILL NOT BE ACCEPTABLE. THESE RAILS CONTAIN ADJUSTABLE TOP AND BOTTOM PIVOT BLOCKS WITH ADAPTERS TO FIT OPERATING FLOOR CHECKS SPECIFIED. THESE BLOCKS ARE TO BE SOLID AND BUILT TO THE DIMENSIONS AS DETAILED. THE PIVOT BLOCKS HAVE ADJUSTABLE FEATURES FOR ALIGNMENT OF DOOR AND HAVE REMOVABLE COVER PLATES TO HIDE ADJUSTMENT SCREWS. WHEN OVERHEAD CLOSERS ARE USED, THE PIVOT BLOCK CONTAINS A HEAVY DUTY TAPERED ROLLER BEARING WHICH IS ADJUSTABLE IN HEIGHT. THE UPPER PIVOT BLOCK CONTAINS AN ADJUSTABLE PIVOT ARM TO FIT THE PINTEL OF THE SPECIFIED OVERHEAD CLOSER. SERIES 250 DOORS CAN ACCEPT #7350 RAIL LOCKS.

**SERIES 640 DOORS**

THE SERIES 640C, 640CH, 640S, AND 640SH DOORS ARE AVAILABLE IN 1/2", 5/8", OR 3/4" THICK TEMPERED GLASS. STANDARD TOP AND BOTTOM RAILS ARE 3-3/8" HIGH OR 3-1/2" HIGH WHEN CLAD, BUT CAN BE FABRICATED UP TO 12" HIGH. RAILS AND STILES (640S AND 640SH) ARE FURNISHED IN ALUMINUM, BRONZE, OR STAINLESS STEEL AND CAN ACCEPT #7385 RAIL LOCKS. THESE DOORS ARE ADAPTABLE TO MOST OVERHEAD/FLOOR CLOSERS, AUTOMATIC OPERATORS, ELECTRIC DROP BOLTS, ELECTROMAGNETIC LOCKS, AND DOOR POSITION SWITCHES.

**SERIES 860 DOORS**

A SMALLER VERSION OF THE SERIES 1200 DOOR, THE SERIES 860 DOOR IS ALSO DESIGNED TO USE 1/2" TEMPERED GLASS, BUT ONLY UP TO 8'-6" HIGH. THE DOOR FEATURES SAFETY JAMB PROTECTION AND ELIMINATION OF THE TOP AND BOTTOM RAILS.

## FINISHES FOR SERIES 250, 640, AND 860 DOORS

**ALUMINUM:** SATIN CLEAR ANODIZED, MEDIUM OR DARK BRONZE DURANODIC AND BLACK DURANODIC. PAINTED AND POWDER COATED FINISHES AVAILABLE UPON REQUEST.

**BRONZE 60/40:** SATIN US10, POLISHED US9, STATUARY US10B.  
*NOTE: FURNISHED NOT LACQUERED. CONTACT BLUMCRAFT FOR SUGGESTED MAINTENANCE.*

**STAINLESS STEEL:** SATIN US32D, POLISHED US32.

## FLOOR CLOSERS FOR SERIES 250, 640, AND 860 DOORS

**RIXSON:** 26, 28, 30, 40, 5013-15, 5023-25

**DORMA:** BTS-75V, BTS-80

**JACKSON:** 900

*NOTE: IF A POSITIVE STOP IS REQUIRED, SPECIFY "AUXILIARY STOP TO BE APPLIED AT THE FLOOR, HEADER, OR WALL AT OR NEAR THE LEADING EDGE OF THE DOOR"*

## OVERHEAD CLOSERS FOR SERIES 250, 640, AND 860 DOORS

BLUMCRAFT DOES NOT RECOMMEND OVERHEAD CLOSERS FOR GENERAL EXTERIOR USE OR FOR LARGE DOORS OR DOORS MADE OF EXCESSIVELY HEAVY GLASS OR HARDWARE. SELECTION OF CLOSERS SHOULD BE DETERMINED BY THE ARCHITECT AND THE HARDWARE CONSULTANT.

**RIXSON:** 608, 700, 800

**DORMA:** RTS-88

**JACKSON:** 20-330

## SERIES 1200 DOORS

SERIES 1200 DOORS ARE DESIGNED TO USE 1/2" THICK TEMPERED GLASS UP TO 12'-0" HIGH. THESE TALL DOORS ARE CONTROLLED BY DORMA BTS-80 FLOOR CLOSERS. THE WEIGHT OF THE DOOR IS BORNE BY A HEAVY DUTY LOAD BEARING CEMENT CASE INDEPENDENT OF THE FLOOR CLOSER.

## FINISHES FOR SERIES 1200 DOORS

**ALUMINUM:** SATIN CLEAR ANODIZED, MEDIUM OR DARK BRONZE DURANODIC AND BLACK DURANODIC. PAINTED AND POWDER COATED FINISHES AVAILABLE UPON REQUEST.

**BRONZE 60/40:** SATIN US10, POLISHED US9, STATUARY US10B.  
*NOTE: FURNISHED NOT LACQUERED. CONTACT BLUMCRAFT FOR SUGGESTED MAINTENANCE.*

**STAINLESS STEEL:** SATIN US32D, POLISHED US32.

## WEATHERSTRIPPING

PILE WEATHERSTRIPPING CAN BE APPLIED TO EDGES OF GLASS OR IN SERIES 250 AND 640S/640SH VERTICAL STILES. IT IS REPLACEABLE WITHOUT REMOVING DOORS FROM THEIR OPENINGS.

## SIDLIGHTS

SIDLIGHTS TYPICALLY HAVE TOP/BOTTOM RAILS TO MATCH THE DOORS, BUT A VARIETY OF OPTIONS ARE ALSO AVAILABLE. THEY CAN BE RECESSED INTO CEILING OR BASE CHANNELS FOR AN ALL GLASS LOOK AND ARE GENERALLY FURNISHED COMPLETELY BY BLUMCRAFT.

## FLOATING TRANSOM BARS

THE B-1250 FLOATING TRANSOM BARS ARE MADE OF SOLID STEEL AND CLAD TO MATCH THE SPECIFIED FINISH. THEY HAVE BOTH VERTICAL AND LATERAL ADJUSTMENTS. INSTALLATION IS ACCOMPLISHED BY STAINLESS STEEL SUPPORT RODS HANGING FROM CEILING CHANNELS AND PRESSURE PADS TO THE SIDELIGHT GLASS. ELECTRIC STRIKES CAN BE USED WITH TRANSOM BARS IN COMBINATION WITH BLUMCRAFT PANIC DEVICES OR DEADBOLT HOUSINGS. TRANSOM BARS CAN BE MOUNTED TO WALLS OR FRAMING.

## AUTOMATIC OPERATORS

SERIES 250 AND SERIES 640 DOORS ARE READILY ADAPTABLE TO MOST OVERHEAD AUTOMATIC OR POWER ASSISTED OPERATORS SUCH AS BESAM, HORTON, LCN, OR NORTON. SERIES 1301 DOORS ARE ADAPTABLE TO THESE SAME OPERATORS WITH MODIFICATIONS TO THE TOP RAILS. SERIES 640 DOORS ARE ALSO ADAPTABLE TO TORMAX FLOOR AUTOMATIC OPERATORS. TO INSURE COMPATIBILITY, CONTACT BLUMCRAFT.

## TUBULAR HARDWARE

### PANIC DEVICES

PANIC DEVICES H-100 OR H-110 WITH INTERIOR OPERATING PANIC HANDLES CAN BE USED IN COMBINATION WITH EXTERIOR FIXED PULL HANDLES DESIGNATED BY LETTERS. THE PANIC MECHANISM IS CONCEALED WITHIN THE 1-1/4" DIAMETER ARCHITECTURAL BRONZE OR STAINLESS STEEL TUBING. ENTRANCE FROM EXTERIOR BY KEY CYLINDER IS OPTIONAL.

### ELECTRIC STRIKES

ELECTRIC STRIKES ARE FOLGER ADAM 310-1 WITH 3/4" STRAIGHT KEEPER WITHOUT SIGNAL SWITCHES USING H-100 PANIC DEVICES. THEY ARE MOUNTED IN THE HEADER OR TRANSOM BAR.

### DEADBOLT HOUSINGS

DEADBOLT HOUSINGS DB-100, DB-110, DB-130, DB-140, DB-150, DB-160, OR DB-170 WITH INTERIOR FIXED HANDLES CAN BE USED IN COMBINATION WITH ANY OF THE FIXED EXTERIOR PULL HANDLES DESIGNATED BY LETTERS. THE OPERATING MECHANISM IS CONCEALED WITHIN THE 1-1/4" DIAMETER ARCHITECTURAL BRONZE OR STAINLESS STEEL TUBING. THERE IS A KEYED CYLINDER ON BOTH SIDES OR A THUMBTURN ON THE INTERIOR SIDE WHERE INDICATED. THE LOCKING MECHANISM IS ON THE INTERIOR SIDE OF THE DOOR.

### DEADBOLT HOUSINGS (SELF-LATCHING)

DEADBOLT HOUSINGS DBL-100, DBL-130, DBL-160 OR DBL-170 WITH INTERIOR FIXED HANDLES CAN BE USED IN COMBINATION WITH ANY OF THE FIXED EXTERIOR PULL HANDLES DESIGNATED BY LETTERS. THIS NEW SELF-LATCHING FUNCTION IS FULLY DESCRIBED ON PAGE D26.

### DUMMY HANDLES

DUMMY HANDLES DH-100, DH-110, DH-130, DH-140, DH-150, DH-160, OR DH-170 WITH INTERIOR FIXED HANDLES CAN BE USED IN COMBINATION WITH ANY OF THE FIXED EXTERIOR PULL HANDLES DESIGNATED BY LETTERS. THIS HARDWARE MATCHES THE PANIC OR DEADBOLT HARDWARE BUT HAS NO LOCKING MECHANISM.

## FINISHES FOR TUBULAR HARDWARE

**STAINLESS STEEL:** SATIN US32D, POLISHED US32, POWDER COAT

**BRONZE:** SATIN US10, POLISHED US9, STATUARY US10B

**ALUMINUM:** NOT AVAILABLE

## CONSTRUCTION AND TESTING

DOORS ARE COMPLETELY BUILT WITH TOP /BOTTOM RAILS AND VERTICAL STILES BONDED TO GLASS. PUSH/PULL HANDLES ARE MOUNTED TO DOORS. TUBULAR PANIC DEVICE, DEADBOLT HOUSING, AND DUMMY HANDLE HARDWARE IS ALWAYS MOUNTED TO DOORS. THIS ASSEMBLY MUST BE DONE IN BLUMCRAFT'S FACTORY UNDER CONTROLLED CONDITIONS. EACH DOOR IS THEN PHYSICALLY TESTED IN OUR FACTORY FOR ALL OPERATING FUNCTIONS AND MADE READY FOR INSTALLATION.

## INSTALLATION

INSTALLATION IS MADE IN ACCORDANCE WITH MANUFACTURER'S RECOMMENDATIONS. DOOR FRAMING, JAMBS, AND THRESHOLDS MUST BE SET SQUARE AND PLUMB. CLEARANCES BETWEEN THE DOORS, HEADER, JAMB, AND THRESHOLD MUST BE AS RECOMMENDED BY BLUMCRAFT. PIVOT BLOCKS AT TOP AND BOTTOM OF DOORS MUST BE PROPERLY ALIGNED BY INTERNAL ADJUSTMENTS BEFORE PLACING STRIKE PLATES IN FLOOR, THRESHOLD, AND HEADER. THE INSTALLATION CONTRACTOR IS FULLY RESPONSIBLE FOR PROPERLY ALIGNING AND SETTING THE DOORS AND THE SIDELIGHTS IN ACCORDANCE WITH BLUMCRAFT'S DETAILED INSTRUCTION SHEETS INCLUDED WITH EACH SHIPMENT.

## PROTECTION

DURING THE INSTALLATION AND AFTER THE INSTALLATION IS COMPLETED, THE GENERAL CONTRACTOR IS FULLY RESPONSIBLE FOR PROVIDING ADEQUATE PROTECTION AGAINST ANY STAINS OR OTHER DAMAGE THAT MAY OCCUR DURING CONSTRUCTION.

## SHOP DRAWINGS

BLUMCRAFT'S ENGINEERING STAFF WILL PREPARE ALL SHOP DRAWINGS.

FOR INFORMATION ON DISPLAY CASE DOORS, REFER TO BLUMCRAFT CATALOG D-2009,  
SEE SWEETS FILE 12 35 59/BLU, OR VISIT OUR WEBSITE AT [www.blumcraft.com](http://www.blumcraft.com)





FOR INFORMATION ON RAILINGS AND SMOKE Baffles REFER TO BLUMCRAFT CATALOG M-2009,  
SEE SWEETS FILE 05 73 00/BLU, OR VISIT OUR WEBSITE AT [www.blumcraft.com](http://www.blumcraft.com)





OVER 80,000 BLUMCRAFT INSTALLATIONS CAN BE FOUND IN SOME OF THE MOST PRESTIGIOUS BUILDINGS THROUGHOUT THE WORLD. THE FOLLOWING IS A PARTIAL LISTING OF NOTABLE PROJECTS WHERE BLUMCRAFT ENTRANCE DOORS AND HARDWARE HAVE BEEN INSTALLED.

**LOUVRE**

*Paris, France*

**HARVARD UNIVERSITY**

*Cambridge, MA*

**MILWAUKEE ART MUSEUM**

*Milwaukee, WI*

**SUPREME COURT**

*Jerusalem, Israel*

**BLOOMBERG**

*New York, NY*

**165 CHARLES STREET**

*New York, NY*

**DELOITTE HEADQUARTERS**

*Chicago, IL*

**INSTITUTE FOR THE STUDY OF THE ANCIENT WORLD**

*New York, NY*

**MT. VERNON VISITOR'S CENTER**

*Mt. Vernon, NY*

**WOLFGANG PUCK- THE BORGATA NORTH**

*Atlantic City, NJ*

**CARLOW COLLEGE**

*Pittsburgh, PA*

**CANADIAN EMBASSY**

*Riyadh, Saudi Arabia*

**M. M. ROBERTS STADIUM**

*University of Mississippi*

*Hattiesburg, MS*

**HARLEY DAVIDSON MUSEUM**

*Milwaukee, WI*

**STONY BROOK UNIVERSITY HOSPITAL**

*Stony Brook, NY*

**PURDUE UNIVERSITY**

*West Lafayette, IN*

**RITZ CARLTON**

*New York, NY*

**JAMES GALLERY**

*Pittsburgh, PA*

**NEWSEUM**

*Washington, DC*

**NY JETS TRAINING FACILITY**

*Florham Park, NJ*

**NESTLE CULINARY INNOVATION CENTER**

*Solon, OH*

**MERCK**

*Rahway, NJ*

**BAYER CORPORATION**

*Pittsburgh, PA*

**PERFORMING ARTS**

*St. Louis, MO*

**YALE UNIVERSITY**

*New Haven, CT*

**DUPONT**

*Wilmington, DE*

**RADISSON WAIKIKI PRINCE KUHIO HOTEL**

*Honolulu, HI*

**ASIAN ART MUSEUM**

*San Francisco, CA*

**METROPOLITAN MUSEUM OF ART**

*New York, NY*

**DEPARTMENT OF HOMELAND SECURITY**

*New York, NY*

**NELSON ATKINS MUSEUM**

*Kansas City, MO*

**NEW YORK HISTORICAL SOCIETY**

*New York, NY*

**NETFLIX**

*Los Gatos, CA*

**XEROX WORLD HEADQUARTERS**

*Stamford, CT*

**ROCHESTER INTERNATIONAL AIRPORT**

*Rochester, NY*

**CANARY WHARF**

*London, England*

**CALVIN KLEIN**

*Dubai, UAE*

**VANDERBILT MUSEUM**

*Centerpoint, NY*

**BLOOMINGDALE'S**

*New York, NY*

**IBM**

*Toronto, Ontario*

**BANK ONE HEADQUARTERS**

*Chicago, IL*

**NATIONAL BASEBALL HALL OF FAME**

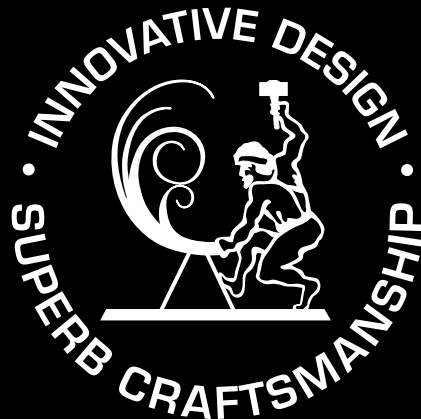
*Cooperstown, NY*

**PFIZER**

*New York, NY*

**CHEVRON PARK**

*San Ramon, CA*



460 MELWOOD AVENUE • PITTSBURGH, PA 15213-1195

TELEPHONE 412-681-2400 • FAX 412-681-6840

E-mail (general inquiries for quick response): [info@blumcraft.com](mailto:info@blumcraft.com)

E-mail (for drawings/engineering department): [eng@blumcraft.com](mailto:eng@blumcraft.com)

Visit our website at [www.blumcraft.com](http://www.blumcraft.com)