

# LiteBrow<sup>TM</sup>

TRANSLUCENT CANOPIES

10 71 13/CPI  
BuyLine 8954



## SUSPENDED LIGHT SHADES

- Transmits Diffused Daylight into Adjoining Spaces
- Pre-Engineered Standard Sizes
- Economical Modular System
- Designed for +120 / -120 PSF Combined Loads

 **CPI**  
**DAYLIGHTING**  
*Quality Comes to Light<sup>®</sup>*

TOLL FREE: (800) 759.6985  
WWW.CPIDAYLIGHTING.COM





**IHOP ENTRY CANOPY, WALLINGFORD CT  
ID 27192**

A LiteBrow™ suspended translucent canopy with aluminum frame finished to match corporate color scheme enhances the entry to the restaurant.



**AMERICAN AIRLINES CREDIT UNION, IRVING TX  
ID 26921**

CPI's LiteBrow™ translucent canopies were selected to provide durable shelter along with shading from the harsh Texas sun. Soft diffused daylight is allowed into the space below.



For more information refer to other Sweets Catalogs  
08 45 00/CPI  
10 73 00/CPI  
08 62 00/CPI  
08 63 00/CPI





AMCORE BANK, CHICAGO IL  
ID 23304

A translucent suspended LiteBrow™ canopy provides an affordable and attractive shelter over the bank entry doors and meets strict Chicago building code requirements.



MOANALUA SHOPPING CENTER, HONOLULU HI  
ID 20809

The Moanalua Shopping Center in Honolulu, Hawaii is nicely accented by CPI's LiteBrow™ Suspended Light Transmitting Canopies. CPI shipped seventeen LiteBrow™ Canopies each five feet wide by seventeen feet long with Pentaglas® glazing.



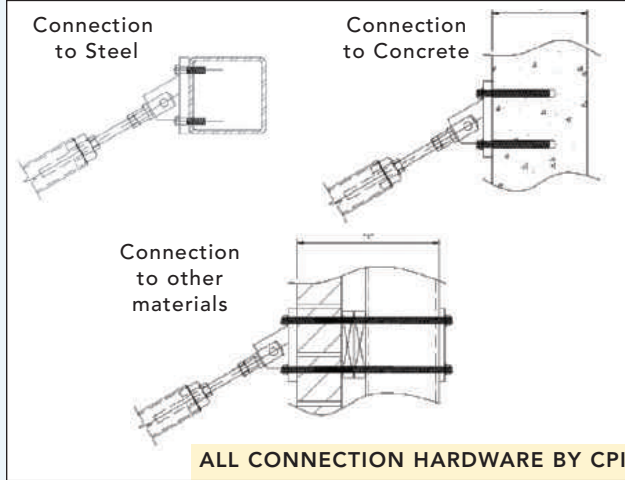
CPI Nano-Cell glazing has been tested after 10 years of exposure to harsh South Florida weather conditions with excellent performance results. No maintenance required.

# LiteBrow™

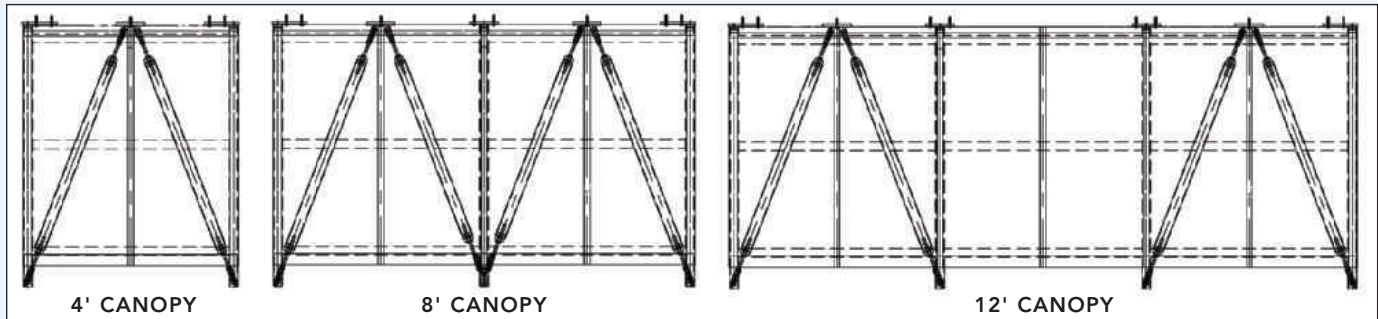
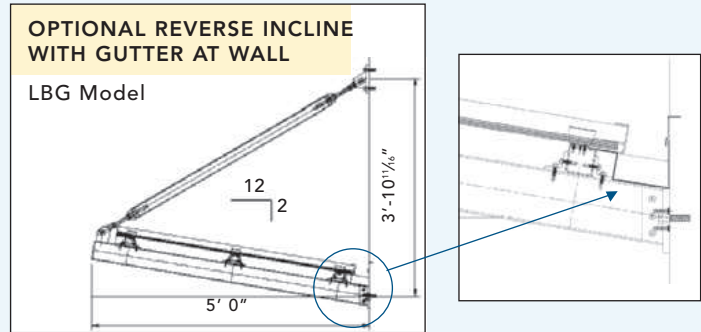
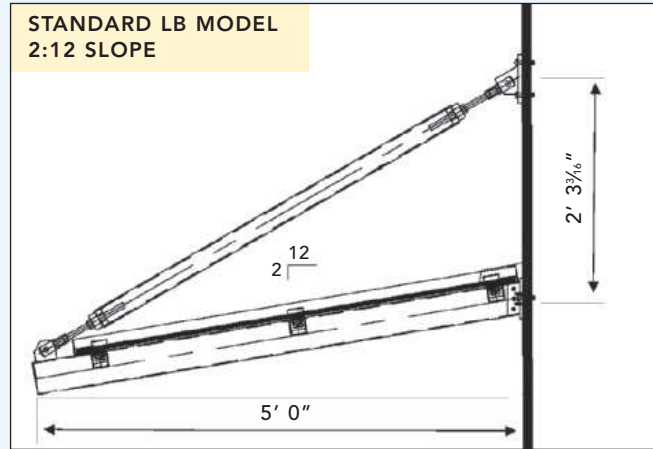
## STANDARD LITEBROW™ MODELS

Designed for +/- 120 PSF total combined loads

STANDARD LITEBROW MODEL	OPTIONAL LB GUTTER MODEL	WIDTH	LENGTH
LB 5x4	LBG 5x4	5'	4'
LB 5x8	LBG 5x8	5'	8'
LB 5x12	LBG 5x12	5'	12'



## TRANSLUCENT CANOPIES



### REACTIONS AT CONNECTION POINTS TO WALL, BASED ON +120 PSF TOTAL DOWNWARD LOAD OR -120 PSF UPLIFT

	4' CANOPY		8' CANOPY			12' CANOPY		
	Reaction at top hanger to wall	Reaction at end rafter to wall	Reaction at top hanger to wall	Reaction at end rafter to wall	Reaction at mid rafter to wall	Reaction at top hanger to wall	Reaction at end rafter to wall	Reaction at mid rafter to wall
<b>Vertical</b>	1.31 KIPS	0.39 KIPS	1.31 KIPS	0.39 KIPS	0.76 KIPS	1.97 KIPS	0.35 KIPS	0.79 KIPS
<b>Horizontal</b>	2.21 KIPS	1.3 KIPS	2.21 KIPS	1.22 KIPS	2.55 KIPS	3.43 KIPS	1.4 KIPS	2.5 KIPS
<b>Lateral</b>	0	0.53 KIPS	0	0.67 KIPS	0	0.43 KIPS	0.5 KIPS	1.2 KIPS

### Short Spec

CPI shall provide LiteBrow™ Suspended Light Transmission Canopy Standard Model # [ \_\_\_\_\_ ]

As manufactured by CPI Daylighting Inc. Phone: 800.759.6985 Website: www.cpidaylighting.com

**Aluminum finish:** [Clear Anodize], [Standard CPI CRF Paint], [Dark Bronze], [Bone White], [Hartford Green]

**Glazing:** Pentaglas 12 standing seam polycarbonate glazing with Nano-Cell technology.

**Glazing Color:** [Green], [Ice White], [Blue], [Bronze], [White], [Reflective Gray]

**Structure:** Self supporting aluminum structure including suspended aluminum tie rods.

**Wall construction:** [  ] Steel, [  ] Concrete, [  ] Other \_\_\_\_\_

**Loads:** Wind Load: Positive \_\_\_\_ PSF, Negative \_\_\_\_ PSF, Live or Snow (including drift) \_\_\_\_ PSF.  
(Maximum load combinations per ASCE 7 of [DL+LL], or [DL+WL], or [DL+0.75(DL+WL)], or [0.6DL-WL] is + / - 120 PSF.)  
(DL = Dead Load, LL = Live Load, WL = Wind Load)



WWW.CPIDAYLIGHTING.COM  
800.759.6985