



# Slat Profiles

## Model 500 Counter Shutters

### No. 17 Slat Profile



**Standard:**

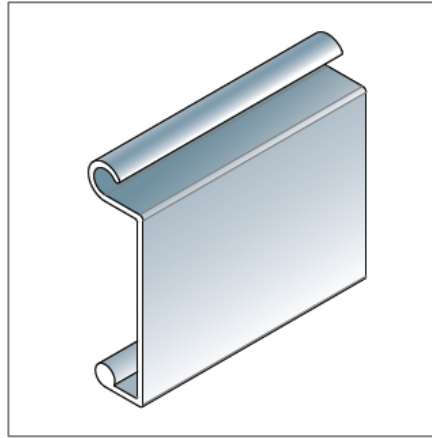
2" Flat-faced slat

**Available:**

Up to 20-gauge steel or stainless steel  
Up to 16-gauge aluminum (mill, clear or bronze anodized).

**Pitch\*:** 1.6"

### Extruded Aluminum Flat Slat



**Standard:**

Extruded aluminum  
flat slat profile flat faced slat

**Pitch\*:** 1.5"

### Secur-Vent<sup>®</sup> Ventilated Slat



**Standard:**

Perforated slat with 1/16" diameter holes  
22-gauge steel or stainless steel  
Offers 20-25% open area over length of slat

**Available:** No. 17 flat slat up to 14' wide x 12' high

**Pitch\*:** 1.6"

\*Pitch is the distance between the top and bottom rotations of the slat (articulation distance).