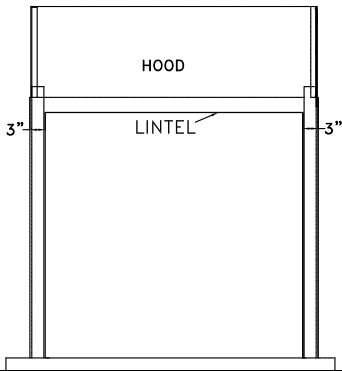
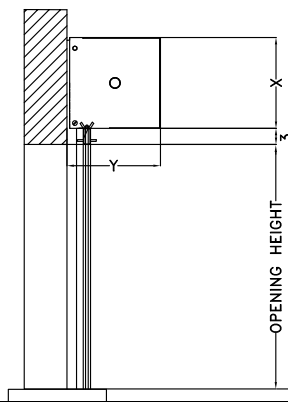


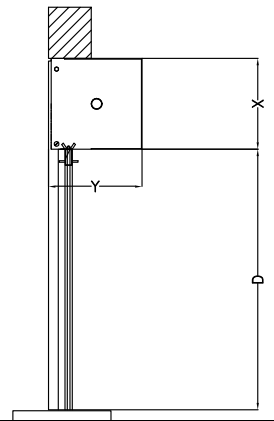
**MANUAL OPERATION**



ELEVATION

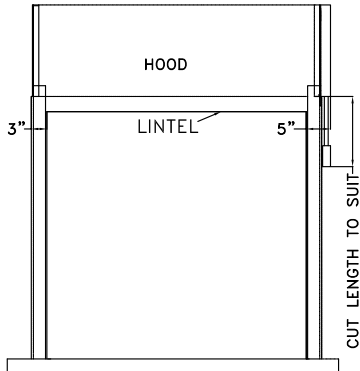


SECTION (FACE MOUNTED)

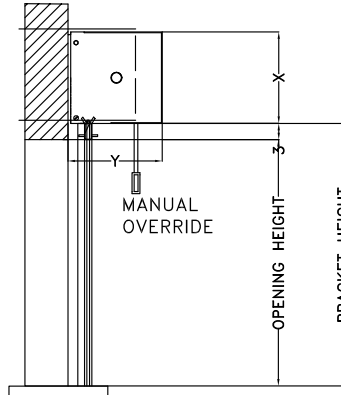


SECTION (UNDER LINTEL)

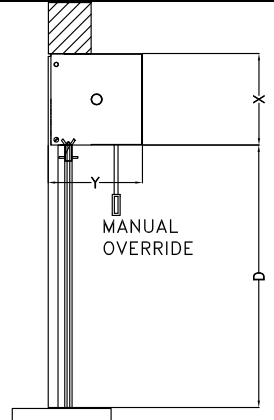
**TUBE MOTOR OPERATION**



ELEVATION

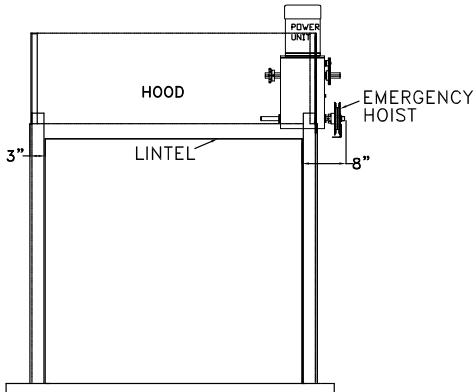


SECTION (FACE MOUNTED)

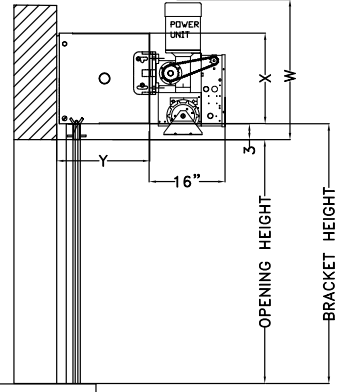


SECTION (UNDER LINTEL)

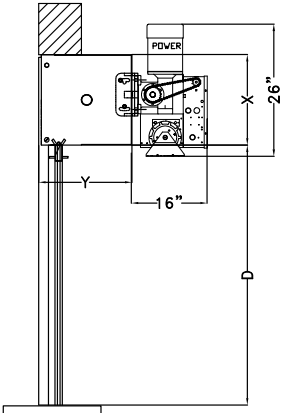
**MOTOR OPERATION**



ELEVATION

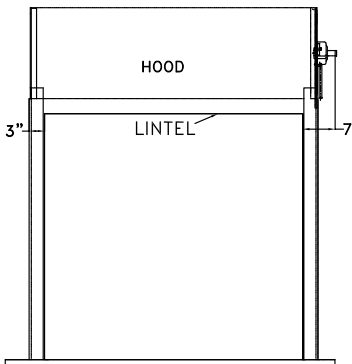


SECTION (FACE MOUNTED)

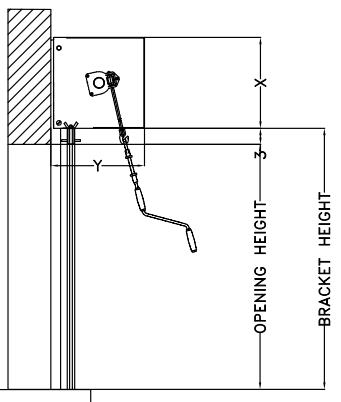


SECTION (UNDER LINTEL)

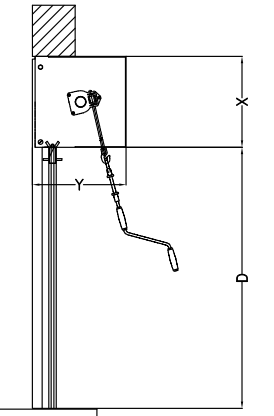
**CRANK OPERATION**



ELEVATION



SECTION (FACE MOUNTED)



SECTION (UNDER LINTEL)

**MODEL 500 ALUMINUM SHUTTER**

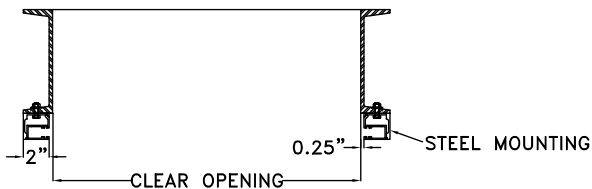
WIDTH A	HEIGHT B ( OPENING HEIGHT)															
	4'0"				4'-1" TO 5' 0"				5'-1" TO 6' 0"				6'-1" TO 7' 0"			
	BRACKET SIZE	BRACKET SIZE	SIDE ROOM		BRACKET SIZE	BRACKET SIZE	SIDE ROOM		BRACKET SIZE	BRACKET SIZE	SIDE ROOM		BRACKET SIZE	BRACKET SIZE	SIDE ROOM	
	X	Y	R	L	X	Y	R	L	X	Y	R	L	X	Y	R	L
<b>MANUAL OPERATED DOORS</b>																
TO 10' 0"	9-1/2"	9-1/8"	3"	3"	11-1/2"	11-1/8"	3"	3"	11-1/2"	11-1/8"	3"	3"	11-1/2"	11-1/8"	3"	3"
10'-1" TO 16' 0"	9-1/2"	9-1/8"	3"	3"	11-1/2"	11-1/8"	3"	3"	11-1/2"	11-1/8"	3"	3"	13-1/2"	13-1/8"	3"	3"
<b>CRANK OPERATED DOORS</b>																
TO 10' 0"	9-1/2"	9-1/8"	5"	3"	9-1/2"	9-1/8"	5"	3"	11-1/2"	11-1/8"	5"	3"	11-1/2"	11-1/8"	5"	3"
10'-1" TO 16' 0"	9-1/2"	9-1/8"	5"	3"	9-1/2"	9-1/8"	5"	3"	11-1/2"	11-1/8"	5"	3"	11-1/2"	11-1/8"	5"	3"
<b>MOTOR OPERATED DOORS</b>																
TO 10' 0"	13-1/2"	13-1/8"	8"	3"	13-1/2"	13-1/8"	8"	3"	13-1/2"	13-1/8"	8"	3"	13-1/2"	13-1/8"	8"	3"
10'-1" TO 16' 0"	13-1/2"	13-1/8"	8"	3"	13-1/2"	13-1/8"	8"	3"	13-1/2"	13-1/8"	8"	3"	13-1/2"	13-1/8"	8"	3"
16'-1" TO 20' 0"	13-1/2"	13-1/8"	8"	3"	13-1/2"	13-1/8"	8"	3"	13-1/2"	13-1/8"	8"	3"	13-1/2"	13-1/8"	8"	3"

**MODEL 500 STEEL/STAINLESS STEEL SHUTTER**

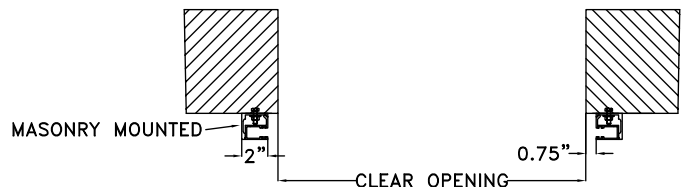
WIDTH A	HEIGHT B ( OPENING HEIGHT)															
	4'0"				4'-1" TO 5' 0"				5'-1" TO 6' 0"				6'-1" TO 7' 0"			
	BRACKET SIZE	BRACKET SIZE	SIDE ROOM		BRACKET SIZE	BRACKET SIZE	SIDE ROOM		BRACKET SIZE	BRACKET SIZE	SIDE ROOM		BRACKET SIZE	BRACKET SIZE	SIDE ROOM	
	X	Y	R	L	X	Y	R	L	X	Y	R	L	X	Y	R	L
<b>MANUAL OPERATED DOORS</b>																
TO 10' 0"	9-1/2"	9-1/8"	3"	3"	11-1/2"	11-1/8"	3"	3"	N/A	N/A	N/A	N/A	N/A	N/A	N/A	N/A
10'-1" TO 16' 0"	N/A	N/A	N/A	N/A	N/A	N/A	N/A	N/A	N/A	N/A	N/A	N/A	N/A	N/A	N/A	N/A
<b>CRANK OPERATED DOORS</b>																
TO 10' 0"	9-1/2"	9-1/8"	5"	3"	9-1/2"	9-1/8"	5"	3"	11-1/2"	11-1/8"	5"	3"	11-1/2"	11-1/8"	5"	3"
10'-1" TO 16' 0"	9-1/2"	9-1/8"	5"	3"	9-1/2"	9-1/8"	5"	3"	11-1/2"	11-1/8"	5"	3"	11-1/2"	11-1/8"	5"	3"
<b>MOTOR OPERATED DOORS</b>																
TO 10' 0"	13-1/2"	13-1/8"	8"	3"	13-1/2"	13-1/8"	8"	3"	13-1/2"	13-1/8"	8"	3"	13-1/2"	13-1/8"	8"	3"
10'-1" TO 16' 0"	13-1/2"	13-1/8"	8"	3"	13-1/2"	13-1/8"	8"	3"	13-1/2"	13-1/8"	8"	3"	13-1/2"	13-1/8"	8"	3"

NOTE: Dimensions are for general reference only and not for construction purposes.

**COMMON GUIDE MOUNTING OPTIONS**



FACE MOUNTED TO STEEL



FACE MOUNTED TO MASONRY