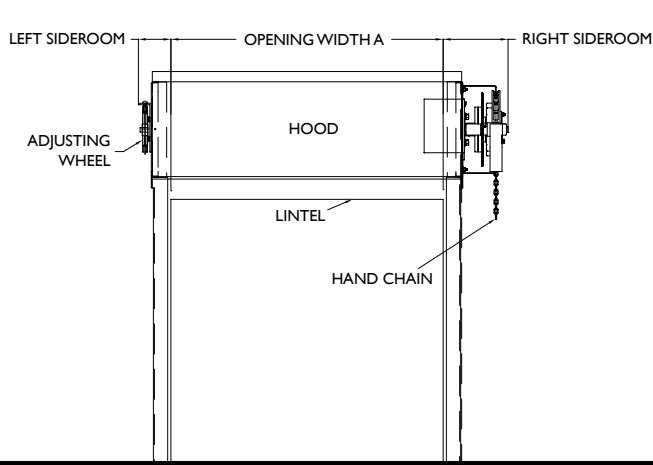
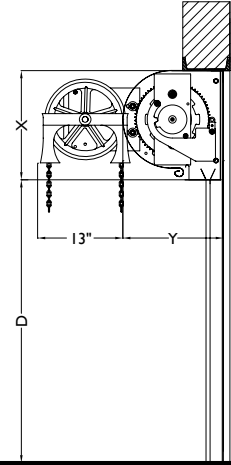


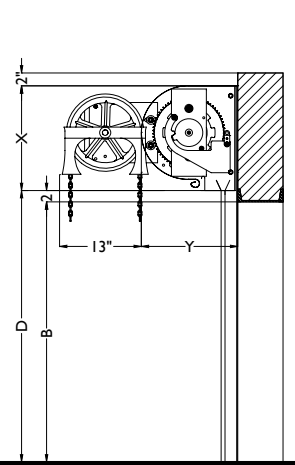
**CHAIN HOIST OPERATION**



**FRONT ELEVATION**

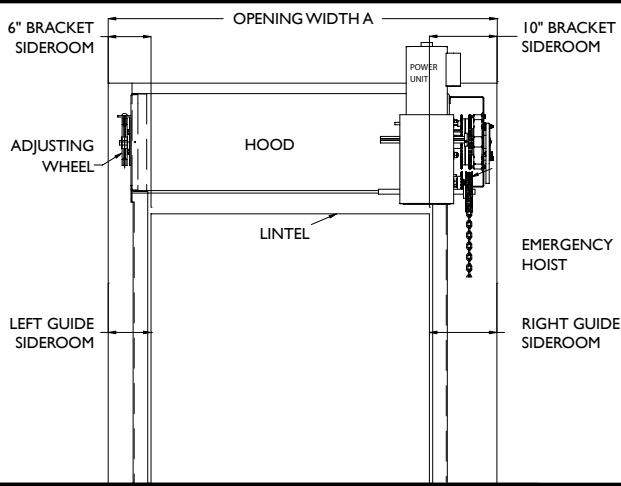


**SIDE ELEVATION (BETWEEN JAMB)**

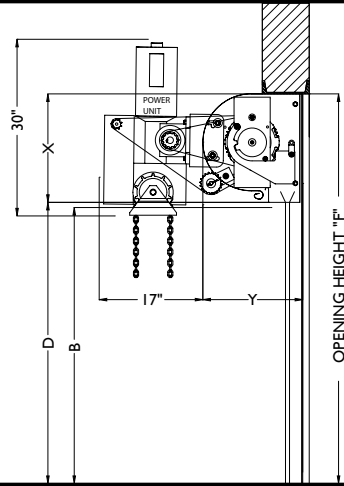


**SIDE ELEVATION**

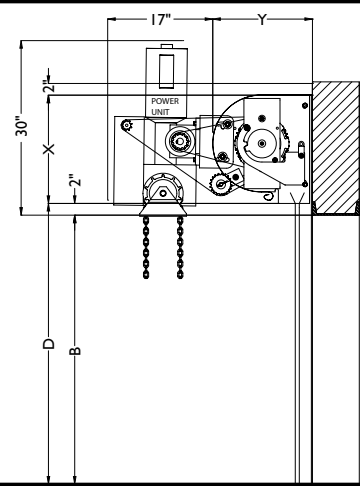
**MOTOR OPERATION**



**FRONT ELEVATION**

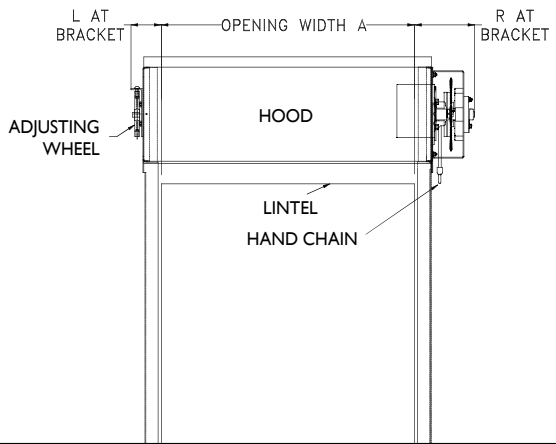


**SIDE ELEVATION (BETWEEN JAMB)**

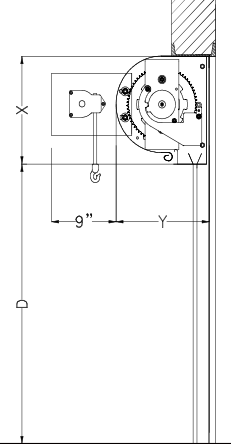


**SIDE ELEVATION**

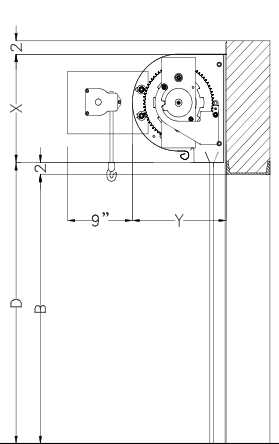
**CRANK OPERATION**



**FRONT ELEVATION**

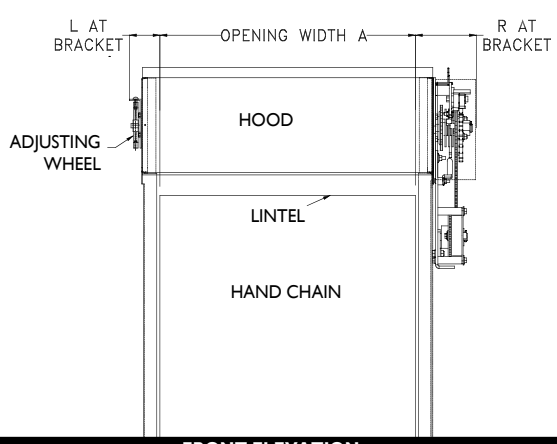


**SIDE ELEVATION (BETWEEN JAMB)**

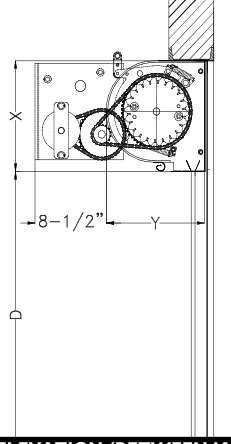


**SIDE ELEVATION**

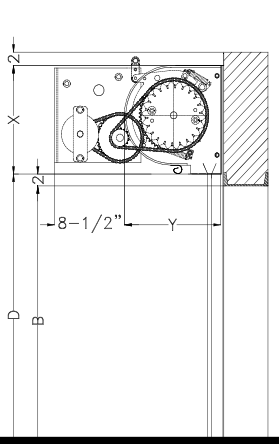
**LIFT UP OPERATION FRONT MOUNT**



**FRONT ELEVATION**

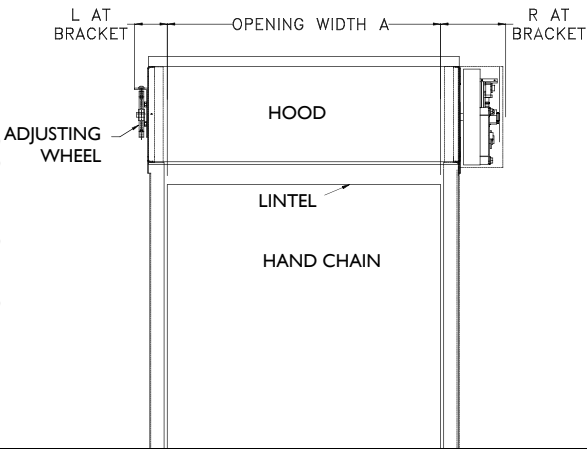


**SIDE ELEVATION (BETWEEN JAMB)**

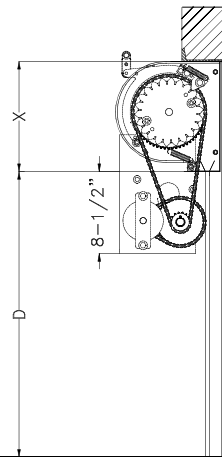


**SIDE ELEVATION**

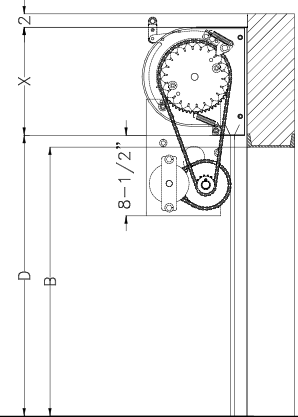
LIFT UP OPERATION  
BOTTOM MOUNT



FRONT ELEVATION



SIDE ELEVATION (BETWEEN JAMB)



SIDE ELEVATION

**MODEL 700 FACE MOUNTED CHAIN HOIST/MOTOR/CRANK**

Width A	HEIGHT B (OPENING HEIGHT)															
	9'0"				9'1" TO 14'0"				14'1" TO 18'0"				18'1" TO 24'0"			
	BRACKET SIZE		SIDE ROOM		BRACKET SIZE		SIDE ROOM		BRACKET SIZE		SIDE ROOM		BRACKET SIZE		SIDE ROOM	
	X	Y	R	L	X	Y	R	L	X	Y	R	L	X	Y	R	L
<b>2" SLAT</b>																
Up to 20'0"	16-1/2"	15"	10"	6"	18-1/2"	17"	10"	6"	20"	19"	10"	6"	22"	21"	10"	6"
<b>3" SLAT</b>																
UP TO 24'0"	16-1/2"	15"	10"	6"	20"	19"	10"	6"	22"	21"	10"	6"	24"	23"	10"	6"

NOTE: 24' height or 24' width or 400sqft max for 22ga.  
Crank limits are 14' height or 12' width or 168sqft.

**MODEL 700 Face Mounted-Lift up**

Width A	HEIGHT B (OPENING HEIGHT)			
	8'0"			
	BRACKET SIZE		SIDE ROOM	
	X	Y	R	L
<b>2" SLAT</b>				
Up to 10'0"	16-1/2"	15"	10"	8"
<b>3" SLAT</b>				
Up to 10'0"	18-1/2"	17"	10"	8"

NOTE: Manual lift 2" Slat-up 10' wide or 8' high or 80sqft.  
Manual lift 3" Slat-up 8' wide or 8' high or 80sqft.

**MODEL 700 BETWEEN JAMBS MOUNTED CHAIN HOIST/MOTOR/CRANK**

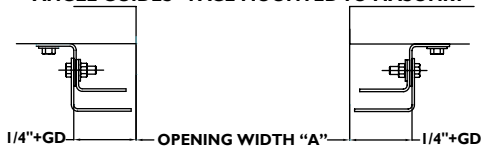
Width A	HEIGHT B (OPENING HEIGHT)															
	9'0"				9'1" TO 14'0"				14'1" TO 18'0"				18'1" TO 24'0"			
	BRACKET SIZE		SIDE ROOM		BRACKET SIZE		SIDE ROOM		BRACKET SIZE		SIDE ROOM		BRACKET SIZE		SIDE ROOM	
	X	Y	R	L	X	Y	R	L	X	Y	R	L	X	Y	R	L
<b>2" SLAT</b>																
Up to 20'0"	16-1/2"	15"	7-1/6"	9-1/6"	18-1/2"	17"	7-1/6"	9-1/6"	20"	19"	7-1/6"	9-1/6"	20"	19"	7-1/6"	9-1/6"
<b>3" SLAT</b>																
UP TO 24'0"	16-1/2"	15"	7-1/6"	9-1/6"	18-1/2"	17"	7-1/6"	9-1/6"	22"	21"	7-1/6"	9-1/6"	24"	23"	7-1/6"	9-1/6"

NOTE: 24' height or 24' width or 400sqft max for 22ga.  
Crank limits are 14' height or 12' width or 168sqft.

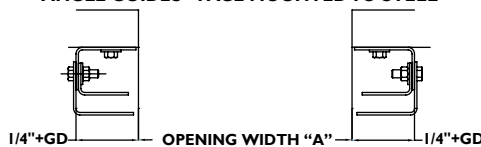
**MODEL 700 Between Jambs Mounted-Lift up**

Width A	HEIGHT B (OPENING HEIGHT)			
	8'0"			
	BRACKET SIZE		SIDE ROOM	
	X	Y	R	L
<b>2" SLAT</b>				
Up to 10'0"	16-1/2"	15"	10"	6"
<b>3" SLAT</b>				
Up to 10'0"	18-1/2"	17"	10"	6"

**ANGLE GUIDES - FACE MOUNTED TO MASONRY**

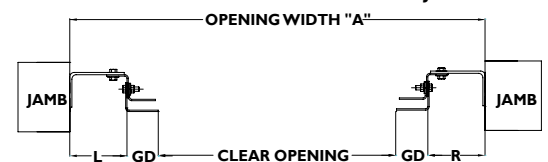


**ANGLE GUIDES - FACE MOUNTED TO STEEL**



MODEL 700	
GD	WIDTH
2 7/8"	TO 13'6"
2 1/2"	13'7" TO 20'0"
3 1/4"	20'-1" TO 24'0"

**ANGLE GUIDES - MOUNTED BETWEEN JAMBS**



NOTE: Dimensions are for general reference only and not for construction purposes.