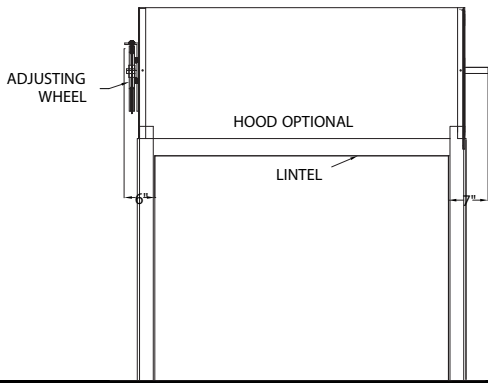
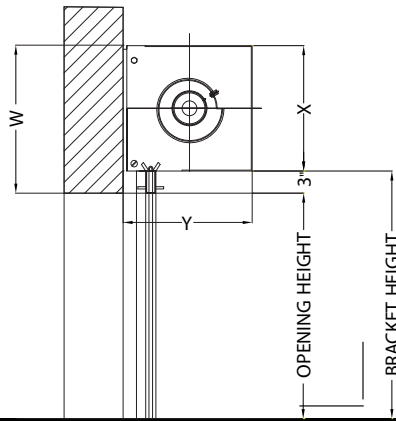


MANUAL OPERATION

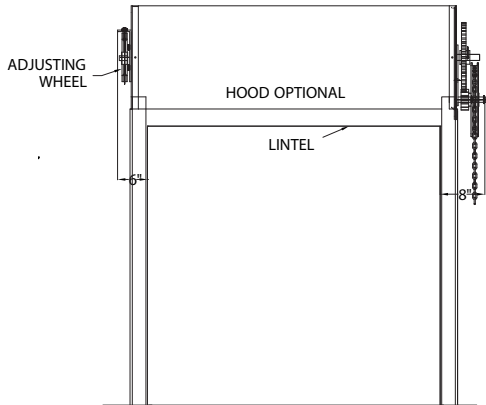


ELEVATION

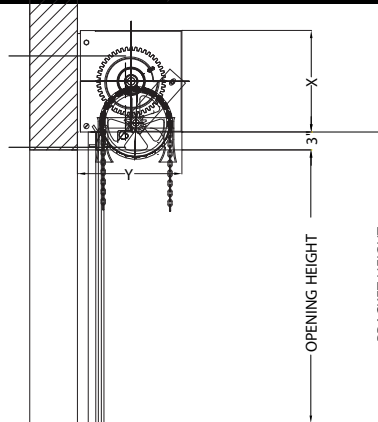


SECTION (FACE MOUNTED)

CHAIN HOIST OPERATION

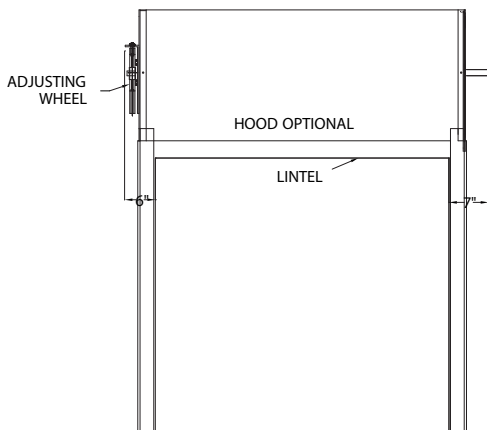


ELEVATION

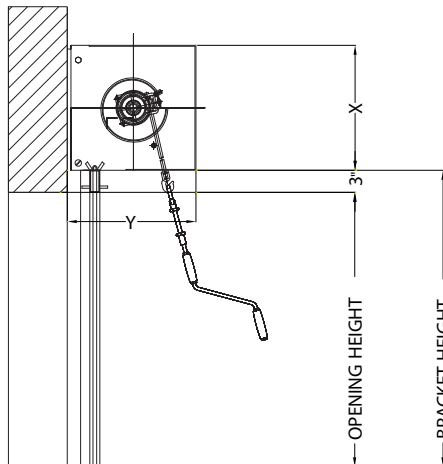


SECTION (FACE MOUNTED)

AWNING CRANK OPERATION

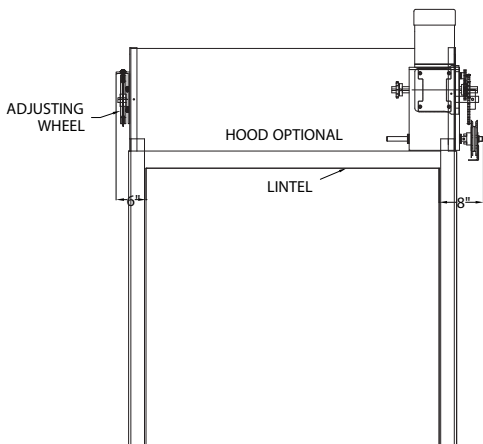


ELEVATION

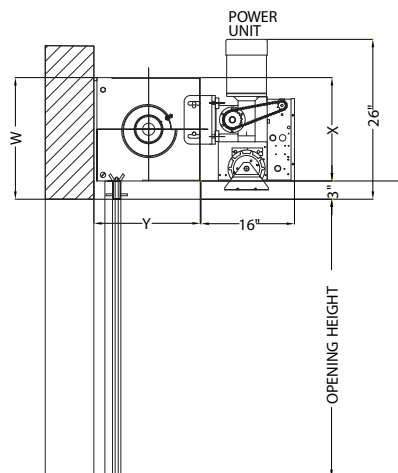


SECTION (FACE MOUNTED)

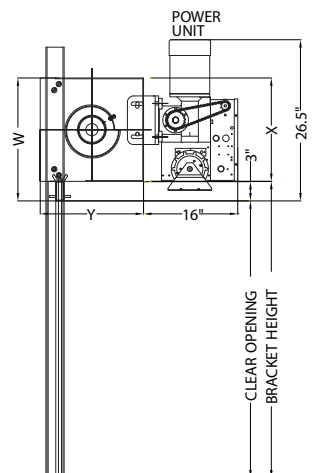
MOTOR OPERATION



ELEVATION



SECTION (FACE MOUNTED)



SECTION (UNDER LINTEL)

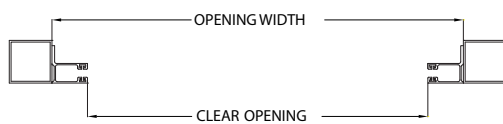
MODEL 600 ALUMINUM GRILLE

WIDTH	HEIGHT	BRACKET SIZE	X	Y	W	R	L
UP TO 30'	UP TO 6'-0"	14"	14"	14"	17"	SEE SKETCH	SEE SKETCH
UP TO 30'	6'-1" TO 7'-1"	15"	15"	15"	18"	SEE SKETCH	SEE SKETCH
UP TO 30'	7'-2" TO 7'-11"	16"	16"	16"	19"	SEE SKETCH	SEE SKETCH
UP TO 30'	8'-0" TO 10'-4"	17"	17"	17"	20"	SEE SKETCH	SEE SKETCH
UP TO 30'	10'-5" TO 12'-0"	18"	18"	18"	21"	SEE SKETCH	SEE SKETCH
UP TO 30'	12'-1" TO 14'-6"	19"	19"	19"	22"	SEE SKETCH	SEE SKETCH
UP TO 25'	UP TO 18'-0"	20"	20"	20"	23"	SEE SKETCH	SEE SKETCH
UP TO 30'	14'-7" TO 17'-2"	20"	20"	20"	23"	SEE SKETCH	SEE SKETCH
UP TO 25'	18'-1" TO 20'-0"	21"	21"	21"	24"	SEE SKETCH	SEE SKETCH
UP TO 30'	17'-3" TO 18'-0"	21"	21"	21"	24"	SEE SKETCH	SEE SKETCH
25'-1" TO 30'	18'-1" TO 20'-0"	23"	23"	23"	26"	SEE SKETCH	SEE SKETCH

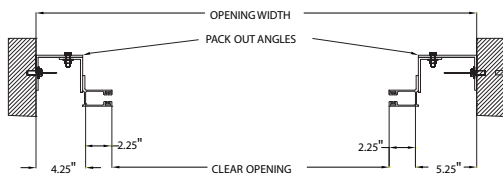
MODEL 600 STEEL/STAINLESS STEEL GRILLE

WIDTH	HEIGHT	BRACKET SIZE	X	Y	W	R	L
UP TO 16'	UP TO 20'-0"	21"	21"	21"	24"	SEE SKETCH	SEE SKETCH
UP TO 30'	UP TO 7'-11"	16"	16"	16"	19"	SEE SKETCH	SEE SKETCH
UP TO 30'	8'-0" TO 10'-0"	17"	17"	17"	20"	SEE SKETCH	SEE SKETCH
UP TO 30'	10'-1" TO 12'-0"	18"	18"	18"	21"	SEE SKETCH	SEE SKETCH
UP TO 30'	12'-1" TO 14'-0"	19"	19"	19"	22"	SEE SKETCH	SEE SKETCH
UP TO 30'	14'-1" TO 17'-0"	20"	20"	20"	23"	SEE SKETCH	SEE SKETCH
UP TO 30'	17'-1" TO 18'-0"	21"	21"	21"	24"	SEE SKETCH	SEE SKETCH
16'-1" TO 30'-0"	18'-1" TO 20'-0"	23"	23"	23"	26"	SEE SKETCH	SEE SKETCH

COMMON GUIDE MOUNTING OPTIONS



BETWEEN JAMBS



BETWEEN JAMBS WITH PACK OUT ANGLES



FACE MOUNTED