

Superior

Aluminum Picket Fence

SERIES
7000
700



Strong, Durable and Maintenance-Free Beauty!

www.superioraluminum.com

Superior

Series 7000/700 Aluminum Picket Fence

Strong, Durable, and Maintenance-Free Beauty!

Superior Series 7000 and 700 Picket Fence can be found where a touch of elegance, function and security are a must. This **maintenance-free fencing** is an excellent choice for perimeter and pool fencing, as well as dividers on residential, commercial, institutional, multi-housing and municipal installations.

Superior Picket Fence **utilizes all the advantages of aluminum – strong, durable, and rust- and corrosion-free.** These characteristics make it a practical, sound investment for the budget-minded buyer.

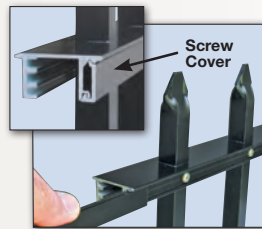
The smart, contemporary design is an added plus. Our unique, no-weld design utilizes simple, cast aluminum fittings or machined openings for a **no-hassle, easy installation.**

To make our fencing even more versatile, cast aluminum ornaments, inserts and scrolls are available to mount on top of posts and on pickets for a custom decorative appearance.

Superior Picket Fence comes with 2", 2 1/2" or 4" square posts and 3/4" square pickets with a formed spear, a cast spear or a flat top. Options for picket spacing include 3", 4 1/2" or 6" centers, as well as custom spacing.

Superior fencing comes in standard 6' lengths, as well as custom lengths, in 2, 3 or 4-line styles. Ordering standard 6' lengths reduces lead times and cost.

Fencing is also available in any height. Standard heights include 60" and 72". For heights above 60", 3 or 4-line styles are recommended.



NEW! Concealed Picket Screws

A new product design for Series 7000 and 700 Fence features a screw cover to conceal picket screws on top and bottom rail assemblies for a cleaner, more streamlined look.

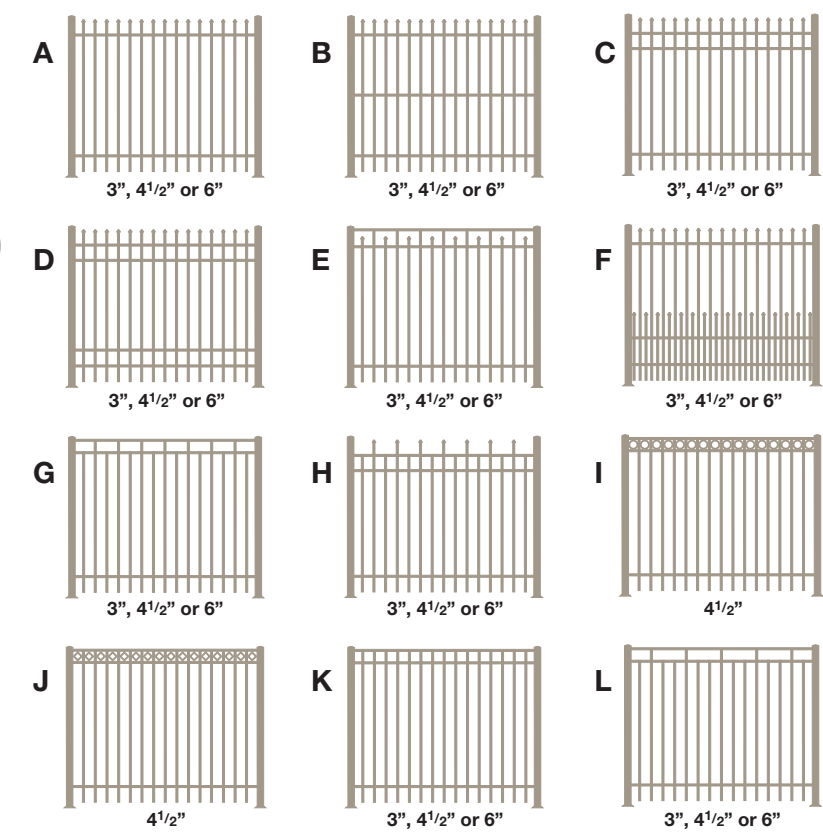
Finishes

Smart, decorative finishes add a distinctive touch. Whether baked-on enamel, anodized or duranodic, these finishes are guaranteed to endure for years of continued service and maintenance-free beauty.



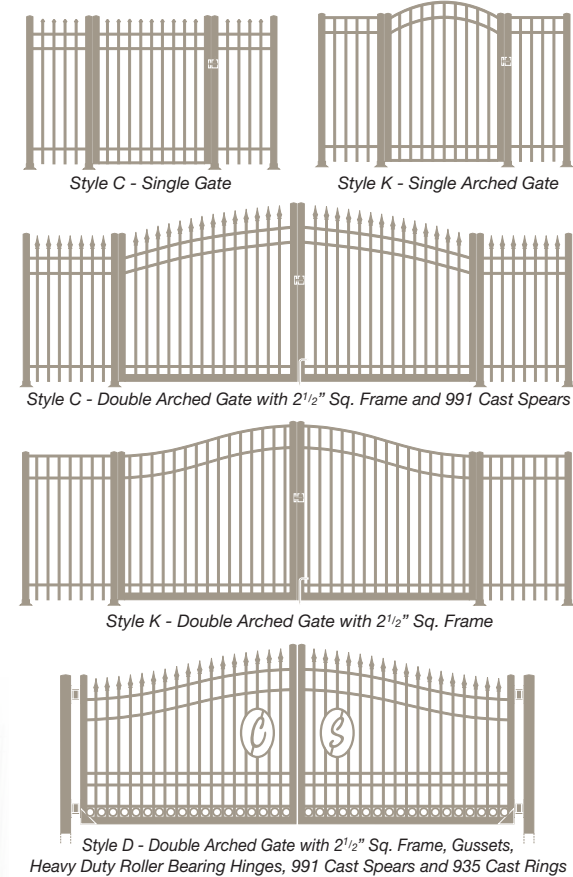
Picket Fence Design Styles

To order, choose design A, B, C, etc., and specify picket center spacing.

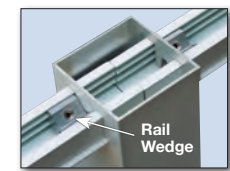


Custom Aluminum Gates

Superior manufactures attractive, aluminum gates to any size and design configuration. The durable, all-welded gate construction coupled with electrostatic painting or anodizing, means years of trouble-free service. Gates can be equipped with standard or custom security locks. See example gate configurations below.



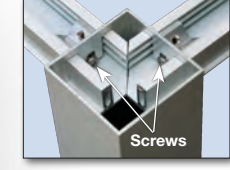
Easy Assembly and Installation!



View of the underside of bottom rail to show rail wedge location.



Tightening rail wedge on shortened section.



Rail wedge screws to secure corner and end posts.

Series 7000 Picket Fence is not only easy to assemble and install, but the machined post openings and factory assembled sections facilitate quick turn-around and cost savings.

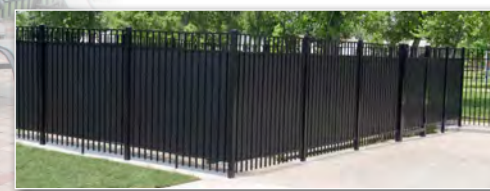
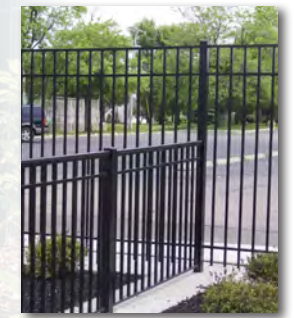
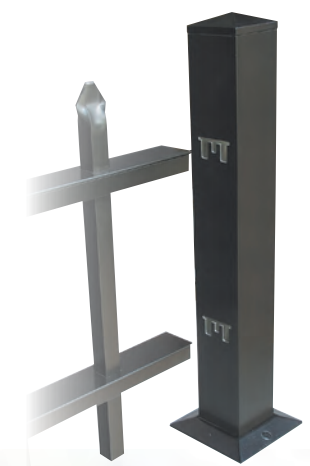
All posts are machined with openings to receive top and bottom rails. If the fence is angled vertically or horizontally, specify the angle so the proper openings can be machined into the post. As assembled fence is inserted into the openings, rail wedges located in the top and bottom rails will ensure proper insertion of 1 1/4" inside the post.

If a fence section or sections need to be shortened, simply saw an equal amount from each rail end with the use of a miter or circular saw. Reinstall and tighten the rail wedge using an 1/8" Allen Wrench on both the top and bottom rails so 1 1/4" protrudes through the post openings.

For securing a corner or end post, a screw is provided for each rail wedge to prevent the post from moving outward.

SERIES 7000 New

Series 7000 Picket Fence features machined post openings, eliminating the need for brackets. The result is a clean, rigid design with added strength.



Ask about snap-in privacy liner to hide equipment and/or items out of view.

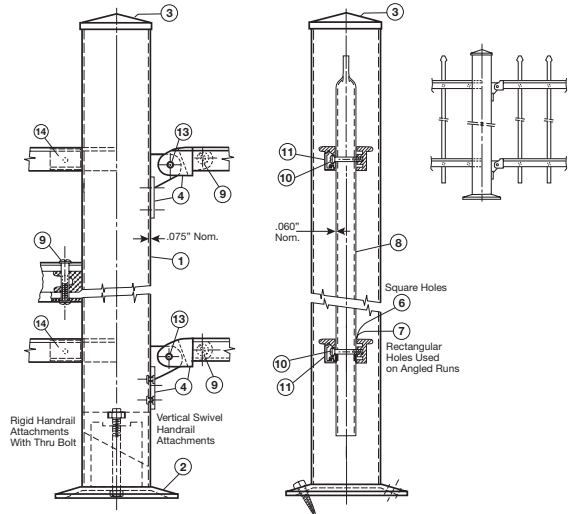
Assembly Identification

Component Parts

SERIES 7000



Note: Series 7000 Fence is assembled with machined post openings.

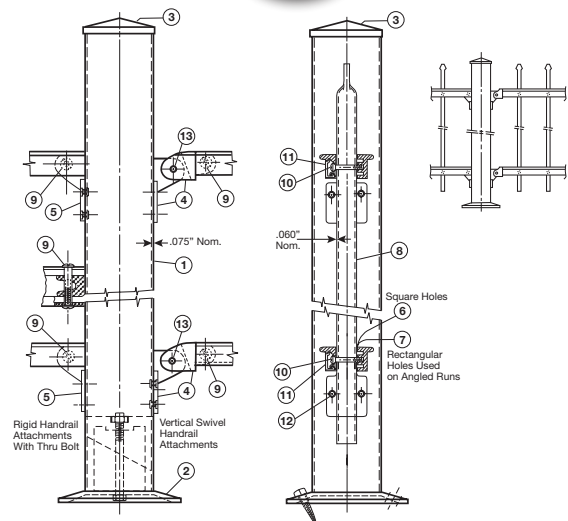


- 1. 990 2 1/2" Tube .075" Wall
- 2. 957 Base Assembly
- 3. 950 Post Cap
- 4. 956 Swivel Brkt. Assembly
- 5. 940 End Bracket - Rigid
- 6. 903 Rail - Square Hole
- 7. 904 Rail - Rectangular Hole
- 8. 3/4" Square Picket
- 9. 912 1/4" Binder Block
- 10. 910 Picket Screws
- 11. Screw Cover
- 12. 915 5/32" Dia. Rivets
- 13. 3/16" Dia. "Rollpin"
- 14. Rail Wedge

SERIES 700

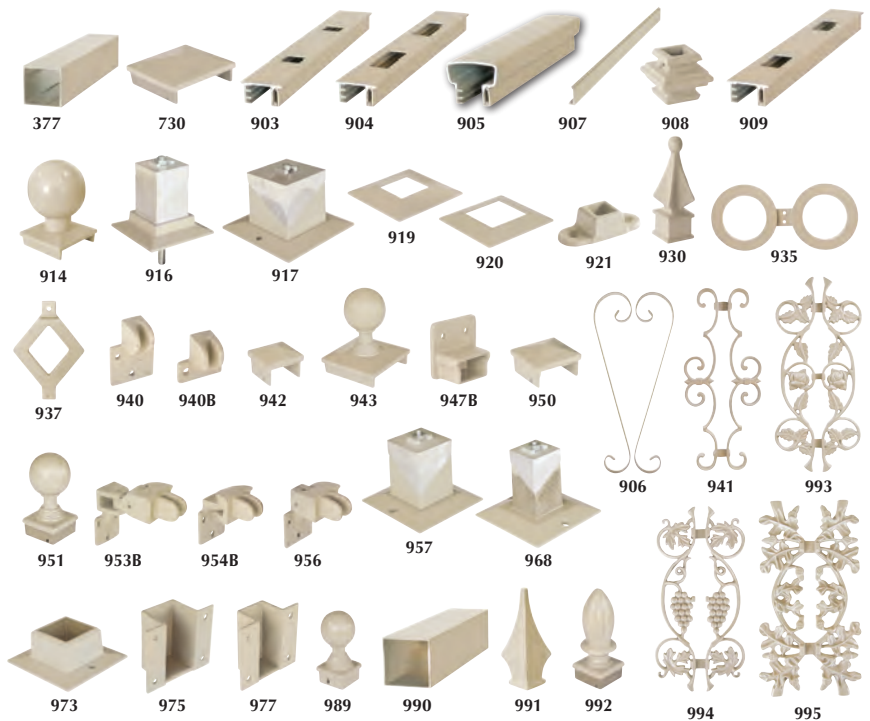


Note: Series 700 Fence is assembled with brackets.



Superior Aluminum Products, Inc.

555 East Main St. • P.O. Box 430 • Russia, OH 45363
 Ph: 937-526-4065 • Fax: 937-526-3904
 info@superioraluminum.com
 www.superioraluminum.com



Parts Description

- 377 2" Sq. - 16' white only & 18' Lgths.
- 730 Cap for 4" Post
- 903 Bottom Rail (Sq. Hole)
1 5/8" w x 3/4" h,
16' white only & 18' Lgths.
- 904 Bottom Rail (Rect. Hole)
1 5/8" w x 3/4" h,
16' white only & 18' Lgths.
- 905 Top Rail - 2" w x 1 5/8" h
18' & 24' Lgths.
- 906 17" Heart Scroll
- 907 Screw Cover (For Top & Bott. Rail)
18' & 24' Lgths.
- 908 Picket Collar
- 909 Bottom Rail (1 1/2" w Hole)
16' white only & 18' Lgths.
- 914 Post Ball Cap for 4" Post with
4" Diameter Ball
- 916 2 1/2" Wedge Base with Stud
- 917 Wedge Base for 4" Post
- 919 2" Slip Over Base
- 920 2 1/2" Slip Over Base
- 921 3/4" Square Base
- 930 Cast Picket Spear - 4" High
- 935 3 3/4" OD Double Ring
- 937 3 3/4" Cast Diamond
- 940 End Brkt. for Top & Bottom Rail
- 940B End Brkt. for #903 Bottom Rail
- 941 17" Cast "Fleur De-Lis" Insert
- 942 Cap for 2" Post
- 943 Post Ball Cap for 4" Post with
2 1/2" Diameter Ball
- 947B Adj. End Fitting Bottom
- 950 Cap for 2 1/2" Post
- 951 Post Ball Cap for 2 1/2" Post
- 953B 2-Way Swivel Bottom
- 954B Horiz. Swivel Brkt. Bottom
- 956 Vertical Swivel Bottom
- 957 Base for 2 1/2" Post (wedge type)
- 968 Base for 2" Post (Wedge Type)
- 973 Heavy Duty Base for 2 1/2" Post
- 975 Side Mount Brkt. for 2 1/2" Post
- 977 Side Mount Bracket for 2" Post
- 989 Post Ball Cap for 2" Post
- 990 2 1/2" Sq. - 16' white only & 18' Lgths.
- 991 Picket Spear
- 992 Post Finial for 2 1/2" Post
- 993 Cast Rose Snap-on Picket Insert
- 994 Cast Grape Snap-on Picket Insert
- 995 Cast Oak Snap-on Picket Insert

Specifications

MATERIALS - All rails, posts, and pickets shall be formed from 6063-T6 extruded aluminum alloys. All railing accessories shall be cast from ANSI 713 alloy. All exposed fasteners used in the system shall be aluminum or stainless steel.

INSTALLATION - The fencing system shall consist of 2 1/2" or 4" square posts that can be either base mounted or embedded into concrete. The rails shall be a minimum of 1 5/8" wide. Pickets shall be 3/4" square on 3", 4 1/2", or 6" centers.