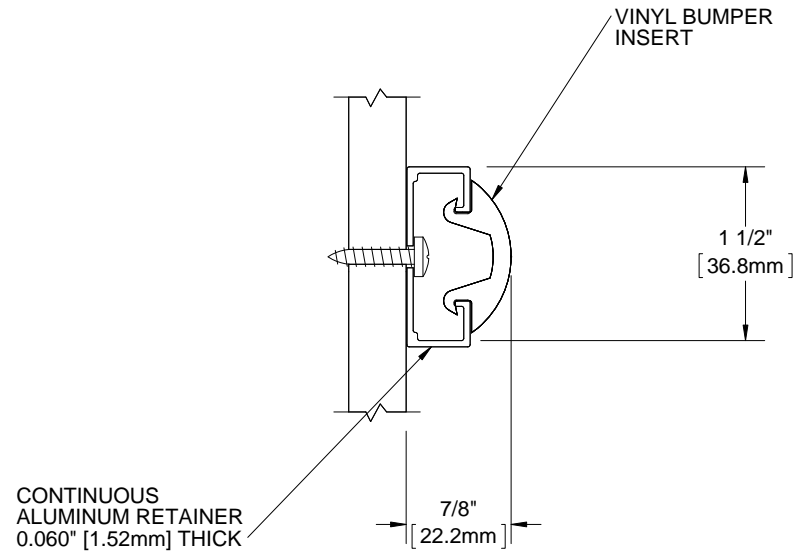


QUANTITY

COLOR



NOTES:

- 1. **PROFILE:** FLEXIBLE VINYL EXTRUSION LOCKED IN PLACE.
- 2. CLASS A FIRE RATING, TESTED TO ASTM E84
- 3. **RETAINER:** CONTINUOUS ALUMINUM RETAINER, NOMINAL 0.060" (1.52mm) THICK.
- 4. **EXTRUSION:** SMOOTH SATIN FINISH
- 5. **VINYL BUMPER GUARD LENGTH:** PROVIDED IN 20' CONTINUOUS SECTIONS
- 6. END CAP: #BBGVS15C-EC, OUTSIDE CORNER: #BBGVS15C-OC
- 7. FASTENERS AND PARTITION COMPONENTS PROVIDED BY OTHERS.

PROJECT:						
ARCHITECT:						
CONTRACTOR:						
 9300 73rd Avenue North Brooklyn Park, MN 55428				TITLE:		1-1/2" VINYL BUMPER GUARD
						SURFACE MOUNT
				MILL FINISH RETAINER		
	NAME	DATE	SIZE	DWG. NO.	REV	
DRAWN	MDS	26APR13	A	BBGVS15C-RFM	A	
RELEASED	PGE	01MAY13	WEIGHT: 0.43 LBS/FT		SHEET 1 OF 1	