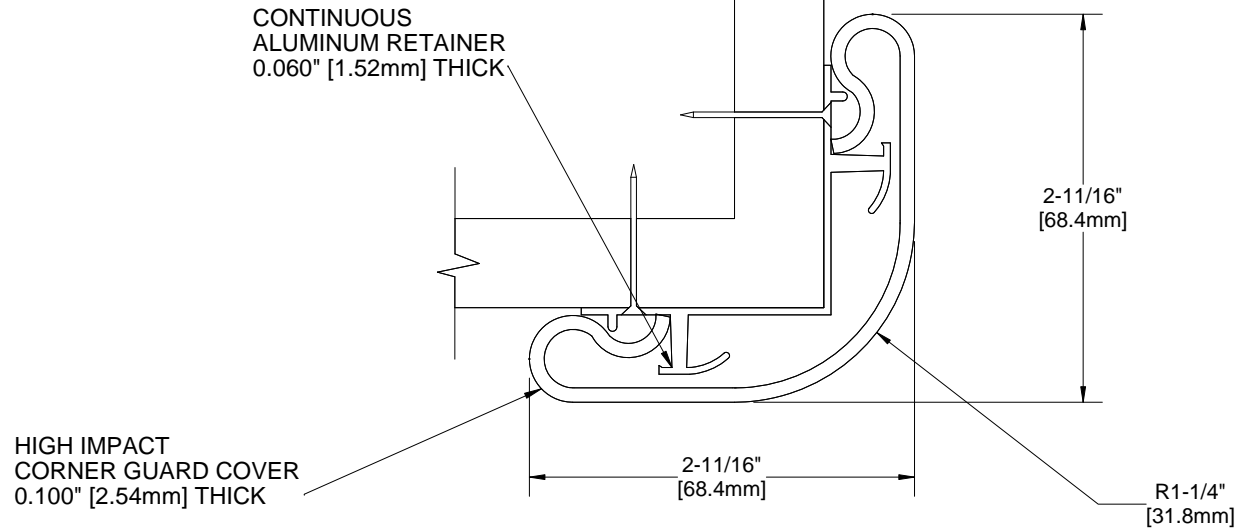


QUANTITY	LENGTH

COLOR



NOTES:

- PROFILE:** HIGH IMPACT VINYL ACRYLIC EXTRUSION LOCKED IN PLACE, NOMINAL 0.100" (2.54mm) THICK
- CLASS A FIRE RATING, TESTED TO ASTM E84
- RETAINER:** CONTINUOUS 6063 T-5 ALUMINUM, NOMINAL 0.060" (1.52mm) THICK
- EXTRUSION:** PEBBLE GRAIN FINISH WHICH CONTAINS EPA REGISTERED MICRO-CHEK ANTIMICROBIAL AGENT
- MAXIMUM LENGTH:** VINYL CORNER GUARDS 20'
- HARDWARE:** #6 X 1-5/8" DRYWALL SCREWS INCLUDED
- END CAP: #BCGVS26875B-EC (2x REQUIRED FOR COMPLETE ASSEMBLY)
- PARTITION COMPONENTS PROVIDED BY OTHERS. FINISHED LENGTH INCLUDES END CAPS.

PROJECT:					
ARCHITECT:					
CONTRACTOR:					
 Babcock-Davis <small>Always right there.</small> 9300 73rd Avenue North Brooklyn Park, MN 55428		TITLE: 2 11/16" VINYL BULL NOSE CORNER GUARD SURFACE MOUNT			
		NAME	DATE	SIZE	DWG. NO.
DRAWN	MDS	24APR13	A	BCGVS26875B	A
RELEASED	PGE	01MAY13	WEIGHT: 0.88 lbs/ft	SHEET 1 OF 1	