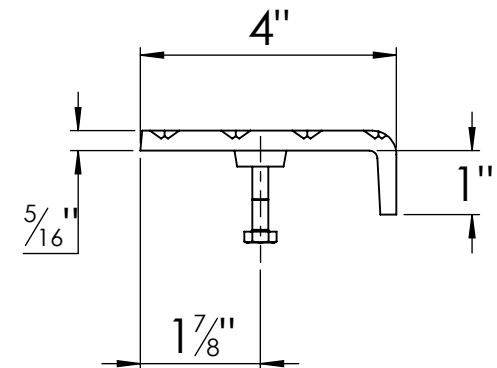
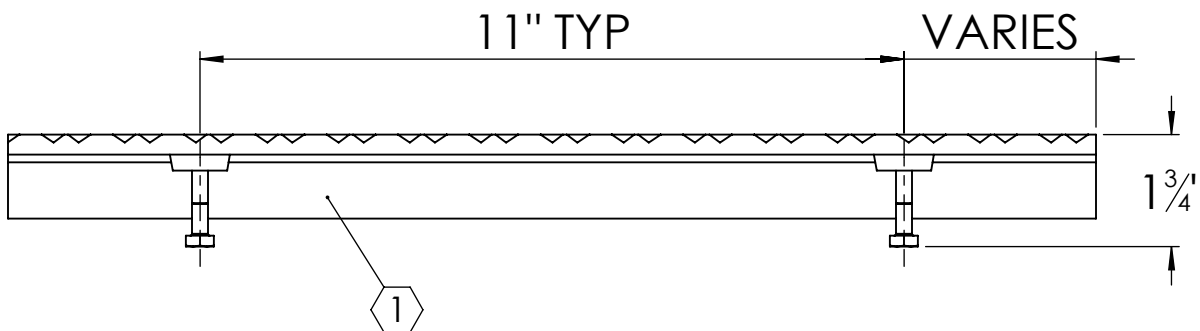
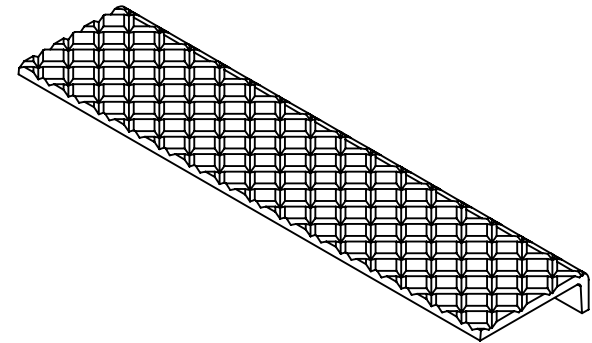
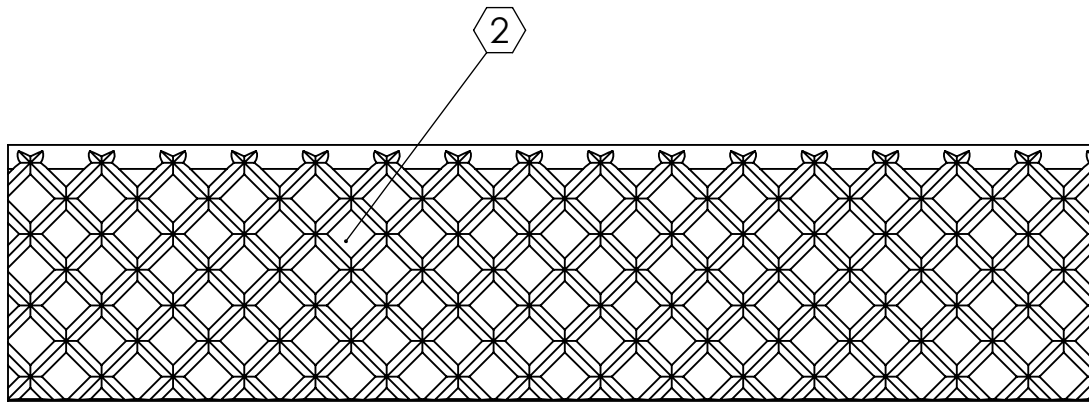


B

B



A

A

SPECIFICATIONS:

- ① **BASE: 319 CAST ALUMINUM**
- ② **ABRASIVE: SILICON CARBIDE ABRASIVE , CROSSHATCH PATTERN 1/8" DEEP**
- 3. **FINISH: SAND CAST**
- 4. **POURED CONCRETE STAIRS: NOSING SHALL TERMINATE NO MORE THEN 3" FROM END OF STEPS**
- 5. **LENGTH: 6" MINIMUM 6'-0" MAXIMUM**

LENGTH ± 1/8	QTY

PROJECT:				
ARCHITECT:				
CONTRACTOR:				
QTY:				
PART#:		BSTCA-L4C		
9300 73rd Avenue North Brooklyn Park, MN 55428		TITLE: Stair Tread, Cast Series		
		4", Cast Aluminum Crosshatch Long Nosing for Pan, Bolt Anchor		
NAME	DATE	SIZE	DWG. NO.	REV
DRAWN SJB	3/31/11	A	BSTCA-L4C	A
RELEASED DWO	3/31/11	WEIGHT: 1.59 LB/FT		SHEET 1 OF 1

PROPRIETARY AND CONFIDENTIAL: THE INFORMATION CONTAINED IN THIS DRAWING IS THE SOLE PROPERTY OF BABCOCK-DAVIS. ANY REPRODUCTION IN PART OR AS A WHOLE WITHOUT THE WRITTEN PERMISSION OF BABCOCK-DAVIS IS PROHIBITED.