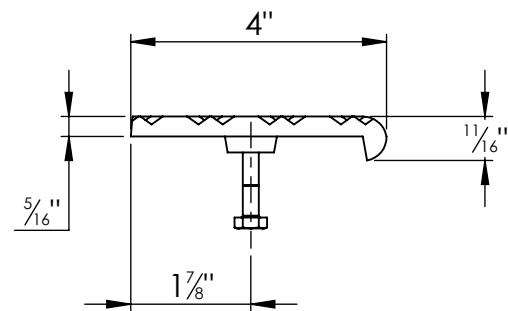
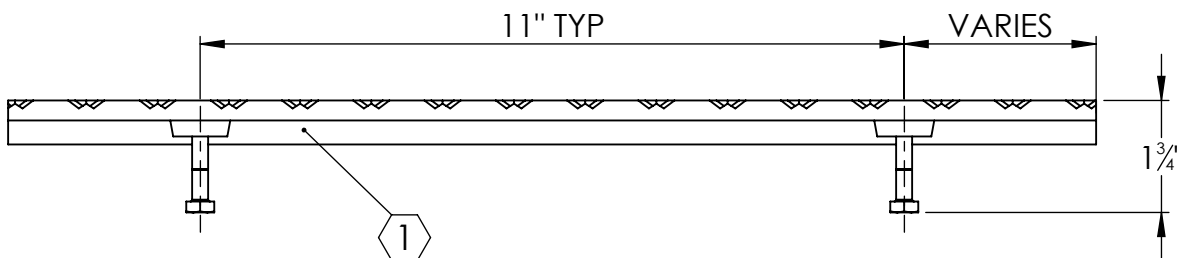
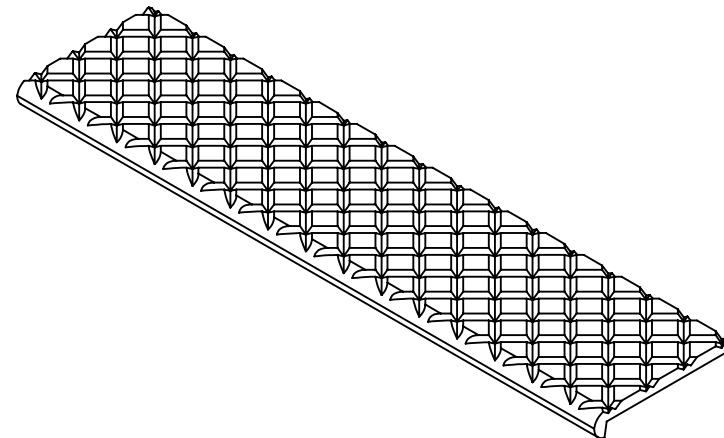
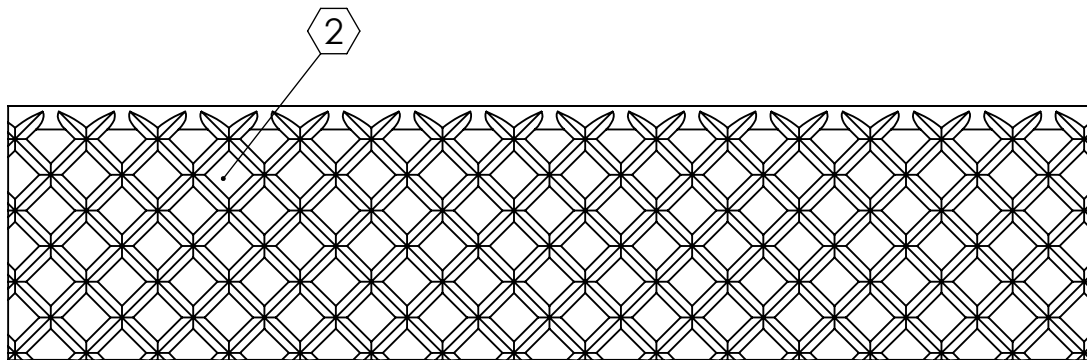


B

B



A

A

SPECIFICATIONS:

- ① **BASE: 319 CAST ALUMINUM**
- ② **ABRASIVE: SILICON CARBIDE ABRASIVE , CROSSHATCH PATTERN 1/8" DEEP**
- 3. **FINISH: SAND CAST**
- 4. **POURED CONCRETE STAIRS: NOSING SHALL TERMINATE NO MORE THEN 3" FROM END OF STEPS**
- 5. **LENGTH: 6" MINIMUM 6'-0" MAXIMUM**

LENGTH ± 1/8	QTY

PROJECT:			
ARCHITECT:			
CONTRACTOR:			
QTY:			
PART#:		BSTCA-P4C	
9300 73rd Avenue North Brooklyn Park, MN 55428		TITLE: Stair Tread, Cast Series	
		4", Cast Aluminum Crosshatch Short Nosing for Pan, Bolt Anchor	
NAME	DATE	SIZE	DWG. NO.
DRAWN SJB	3/31/11	A	BSTCA-P4C
RELEASED DWO	3/31/11	WEIGHT: 1.20 LB/FT	

PROPRIETARY AND CONFIDENTIAL: THE INFORMATION CONTAINED IN THIS DRAWING IS THE SOLE PROPERTY OF BABCOCK-DAVIS. ANY REPRODUCTION IN PART OR AS A WHOLE WITHOUT THE WRITTEN PERMISSION OF BABCOCK-DAVIS IS PROHIBITED.