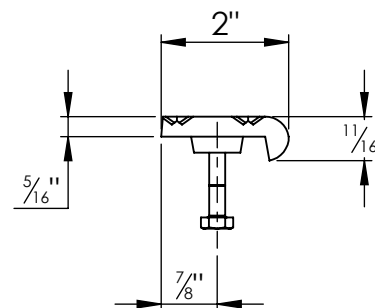
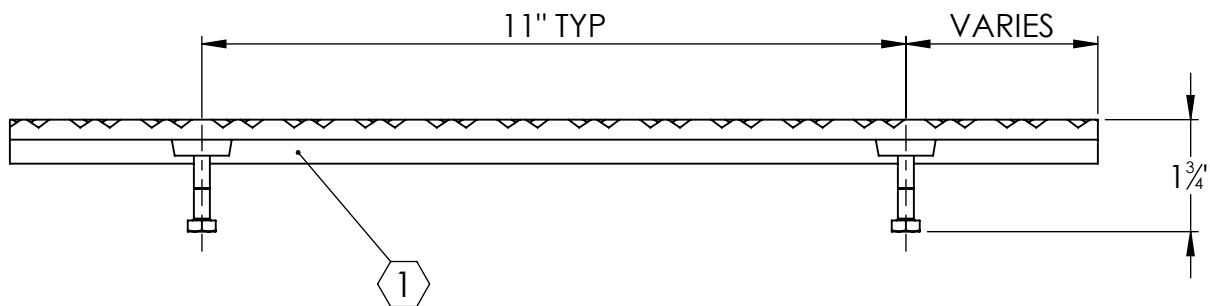
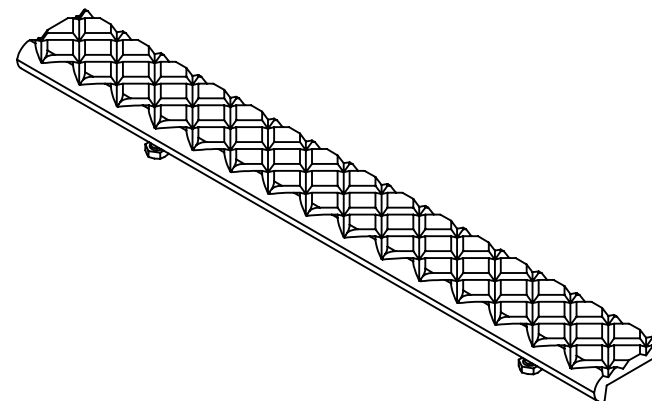
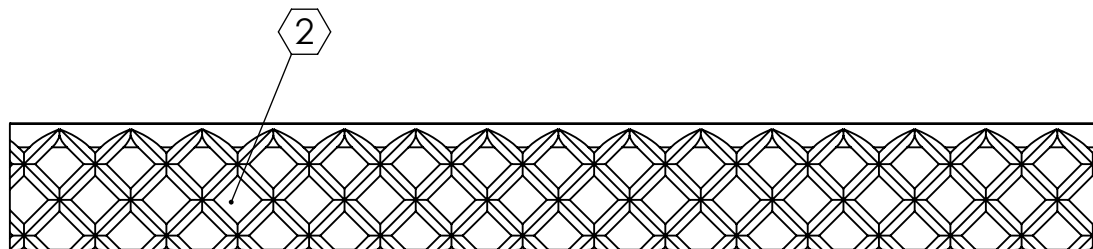


B

B



A

A

SPECIFICATIONS:

- ① BASE: 319 CAST ALUMINUM
- ② ABRASIVE: SILICON CARBIDE ABRASIVE , CROSSHATCH PATTERN 1/8" DEEP
- 3. FINISH: SAND CAST
- 4. POURED CONCRETE STAIRS: NOSING SHALL TERMINATE NO MORE THEN 3" FROM END OF STEPS
- 5. LENGTH: 6" MINIMUM 6'-0" MAXIMUM

LENGTH ± 1/8	QTY

PROJECT:			
ARCHITECT:			
CONTRACTOR:			
QTY:			
PART#:		BSTCA-P2C	
 Babcock-Davis <small>Always right there.</small> 9300 73rd Avenue North Brooklyn Park, MN 55428		TITLE:	
		Stair Tread, Cast Series 2", Cast Aluminum Crosshatch Short Nosing for Pan, Bolt Anchor	
NAME	DATE	SIZE	DWG. NO.
DRAWN SJB	3/31/11	A	BSTCA-P2C
RELEASED DWO	3/31/11	WEIGHT: 1.20 LB/FT	
			REV A
			SHEET 1 OF 1

PROPRIETARY AND CONFIDENTIAL: THE INFORMATION CONTAINED IN THIS DRAWING IS THE SOLE PROPERTY OF BABCOCK-DAVIS. ANY REPRODUCTION IN PART OR AS A WHOLE WITHOUT THE WRITTEN PERMISSION OF BABCOCK-DAVIS IS PROHIBITED.