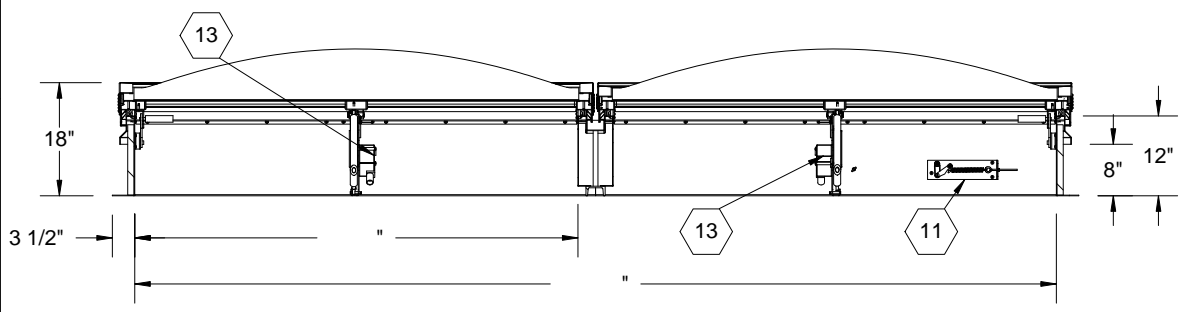
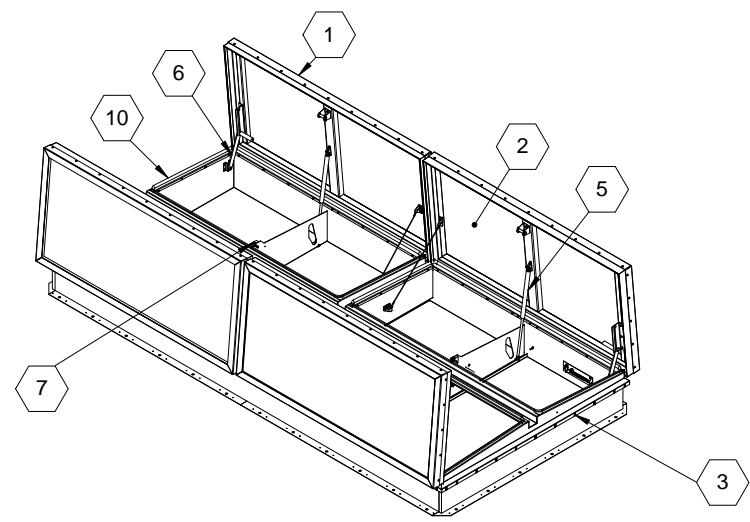


SECTION B-B



SECTION A-A



SPECIFICATIONS:

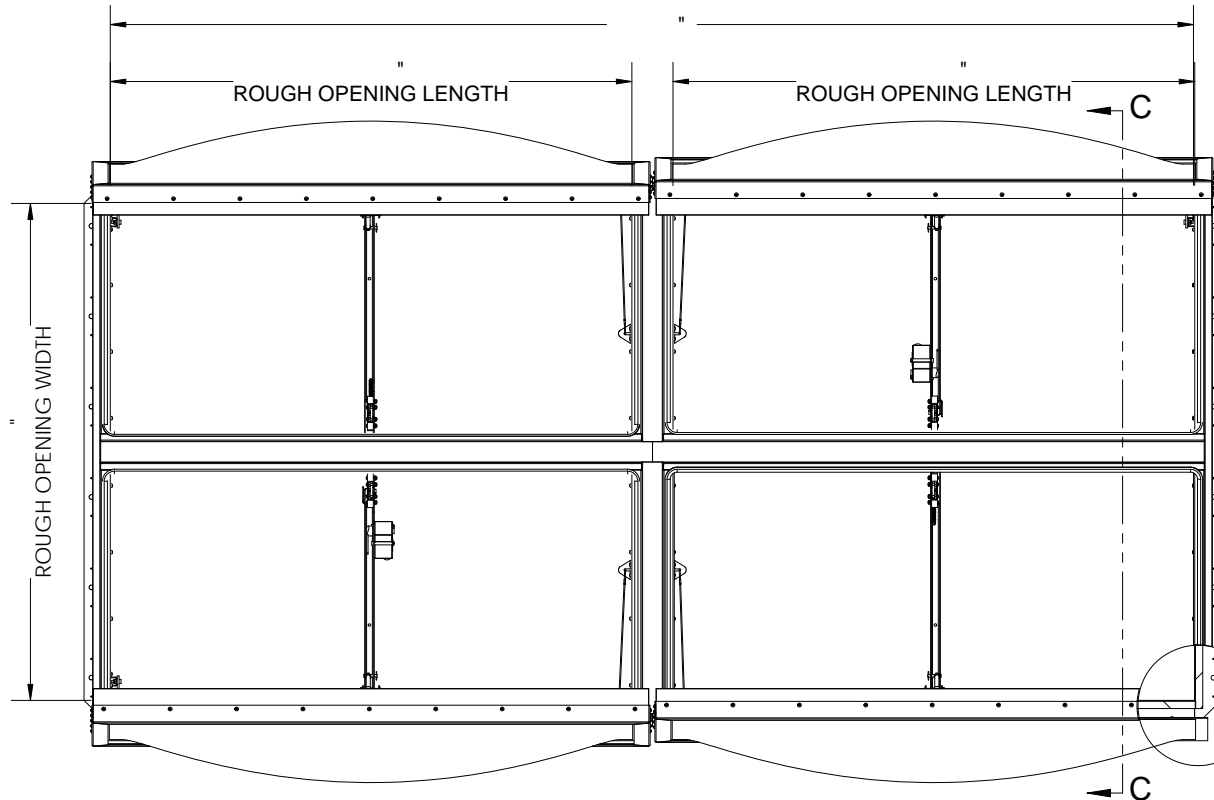
- ① **COVER:** 11 GAUGE ALUMINUM COVER STIFFENED TO WITHSTAND A LIVE LOAD OF 40 PSF WITH A MAX DEFLECTION OF 1/150 OF THE SPAN
- ② **LINER MATERIAL:** Polycarbonate, White Dome UV - Single
- ③ **CURB AND COUNTERFLASH W/EZ TAB:** 11 GAUGE ALUMINUM
- ④ **FINISH:** COVER - Mill
CURB - Mill
- ⑤ **GAS SPRING WITH DAMPER:** DESIGNED TO OPEN AGAINST A 10PSF SNOW LOAD IN NOT LESS THAN 2 SECONDS
- ⑥ **HOLD OPEN ARM:** LOCK COVER IN FULLY OPEN POSITION - ZINC PLATED STEEL
- ⑦ **LATCH:** ZINC PLATED ROTARY LATCH ASSEMBLY DESIGNED TO HOLD COVERS CLOSED AGAINST 90 PSF PSF WIND UPLIFT ZINC PLATED STEEL LATCH STRIKERS ON COVERS
- ⑧ **HINGES:** ZINC PLATED STEEL WITH STAINLESS STEEL HINGE PINS
- ⑨ **INSULATION:** 1" POLYISOCYANURATE IN COVER AND AROUND CURBING PERIMETER, R-VALUE 6
- ⑩ **GASKET:** ADHESIVE BACKED EPDM RUBBER EXTRUSION
- ⑪ **THERMAL RELEASE MECHANISM:** VENT COVERS OPEN THERMALLY BY HEAT AT FUSIBLE LINK TEMPERATURE °F
- ⑫ **MANUAL OPENING:** VENT COVERS OPEN WITH INTERNAL AND EXTERNAL MANUAL PULL HANDLE, 1/16" DIA SST CABLE
- ⑬ **ELECTRICAL RELEASE:** VENT COVERS OPEN ELECTRICALLY WHEN ENERGIZED WITH
- ⑭ **BURGLAR BARS:** None

SMOKE VENT SIZE "(WIDTH) x "(LENGTH)

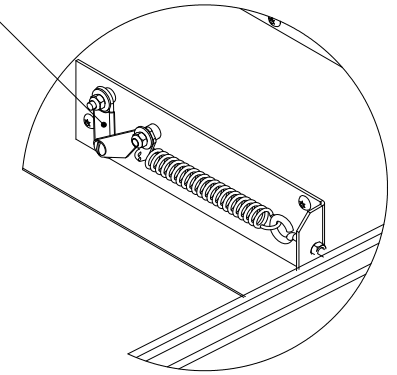
EFFECTIVE VENTING AREA 80% SQFT

PROJECT:				
ARCHITECT:				
CONTRACTOR:				
QTY:				
PART#:		BSVLA X Q1N R-LPW		
Babcock-Davis <small>Always right there.</small> 9300 73rd Avenue North Brooklyn Park, MN 55428		TITLE:		
		Smoke Vent, LightMAX Series, Aluminum, Quad Door, Single Wall Curb Electrical		
NAME	DATE	SIZE	DWG. NO.	REV
DRAWN	SGS	11/23/11	A	BSVLA_X_Q1_ _R-LPW
RELEASED	IMT	11/23/11	WEIGHT: VARIES	SHEET 1 OF 2

PROPRIETARY AND CONFIDENTIAL: THE INFORMATION CONTAINED IN THIS DRAWING IS THE SOLE PROPERTY OF BABCOCK-DAVIS. ANY REPRODUCTION IN PART OR AS A WHOLE WITHOUT THE WRITTEN PERMISSION OF BABCOCK-DAVIS IS PROHIBITED.

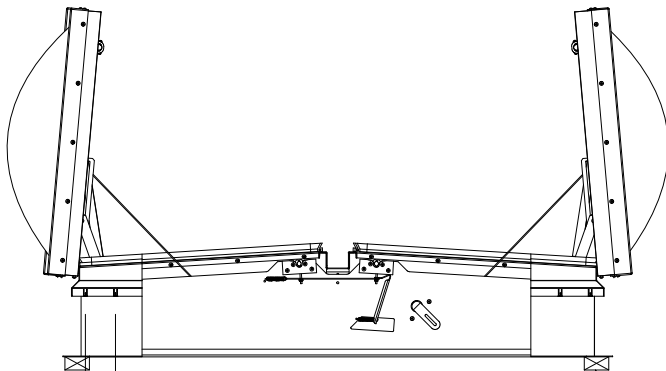


FUSIBLE LINK



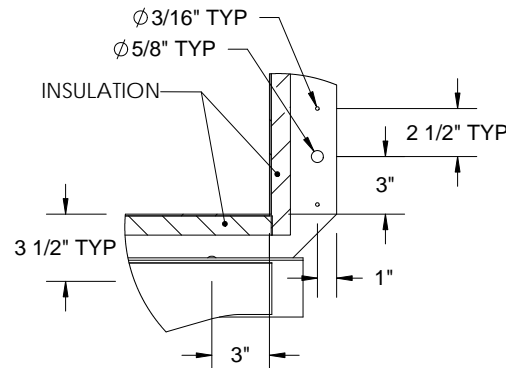
SPACING VARIES 8"-15"

C D



SECTION C-C

EZ-TAB TO SECURE MEMBRANE
SPACING VARIES 5"-8"



DETAIL D

CONCRETE/WOOD/OTHER
MATERIAL PROVIDED BY OTHER
NIC

SMOKE VENT COVER OPENS WHEN ACTIVATED BY:

A. THERMAL RELEASE MECHANISM: RELEASED BY HEAT WITH A UL LISTED FUSIBLE LINK AT TEMPERATURE °F

OPTIONS: 165°F, 212°F, 280°F, 350°F, 360°F, 370°F, 386°F, 450°F

B. MANUAL OPENING: RELEASED BY EXTERNAL AND INTERNAL PULL CABLES WITH HANDLES AND 5FT OF INTERNAL CABLE PROVIDED

C. ELECTRICAL RELEASE: RELEASED BY A 2.5 WATT UL LISTED ROTARY ACTUATOR WHEN ENERGIZED TO

SMOKE VENT COVER CLOSED MANUALLY FROM ROOFTOP

<p>9300 73rd Avenue North Brooklyn Park, MN 55428</p>			TITLE:		
			Smoke Vent, LightMAX Series, Aluminum, Quad Door, Single Wall Curb Electrical		
NAME	DATE	SIZE	DWG. NO.	REV	
DRAWN SGS	11/23/11	A	BSVLA_X_Q1__R-LPW	-	
RELEASED IMT	11/23/11	WEIGHT: VARIES		SHEET 2 OF 2	