

8

7

6

5

4

3

2

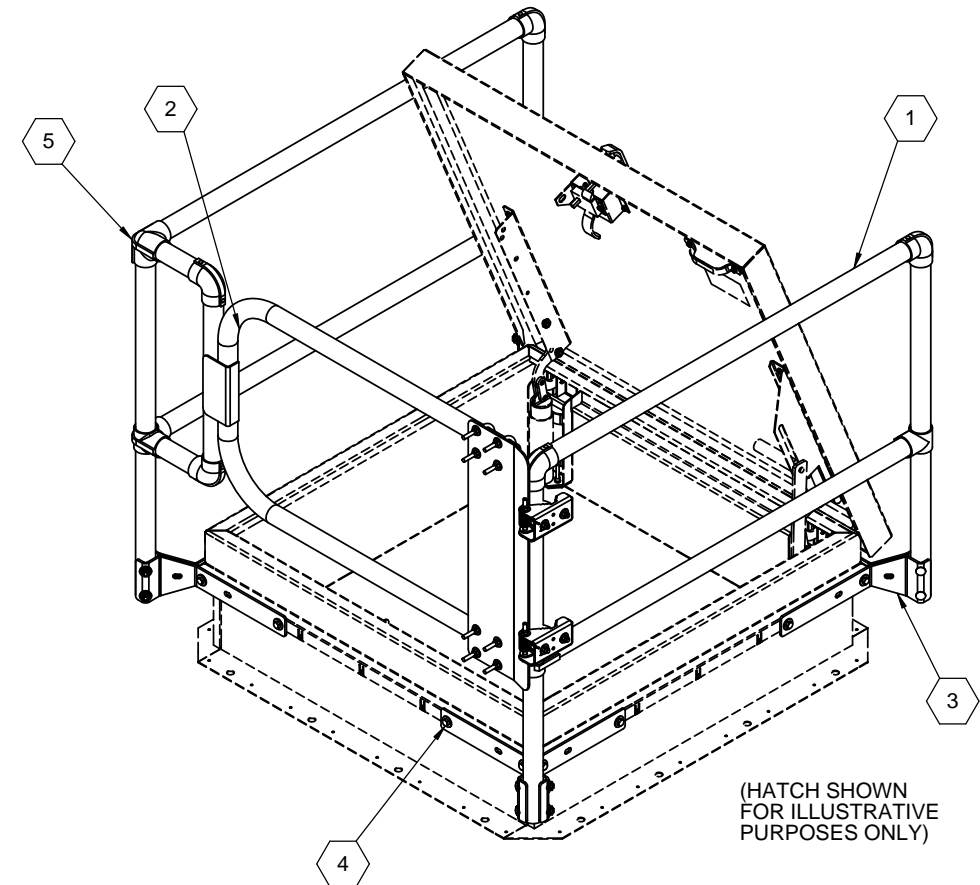
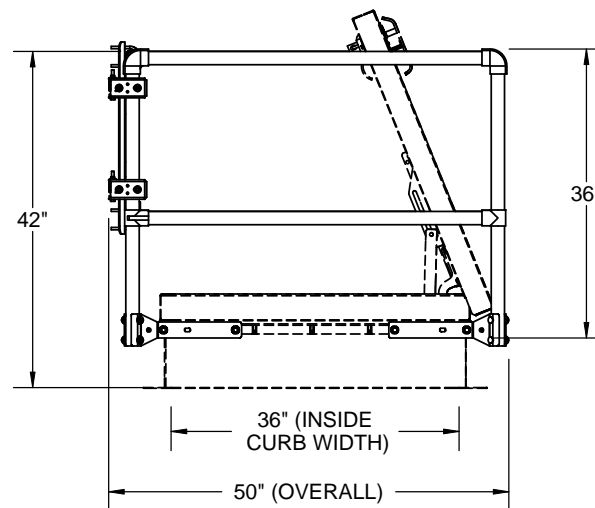
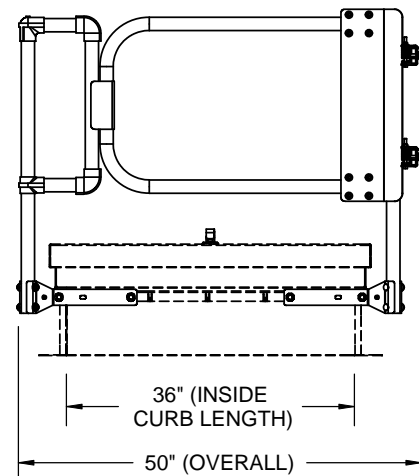
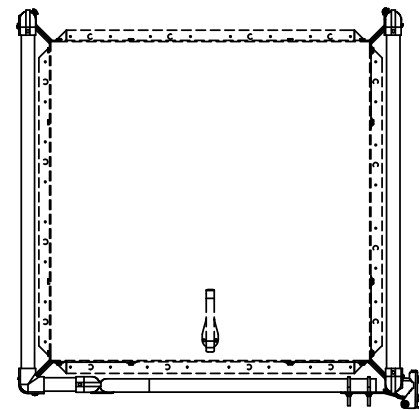
1

D

C

B

A



(HATCH SHOWN FOR ILLUSTRATIVE PURPOSES ONLY)

SPECIFICATIONS

- 1 RAILS, POSTS: GALVANIZED PIPE 1 1/4" I.D. SCH 40 A53 GRADE B SEAMED STEEL
- 2 GATE: GAVANIZED TUBULAR STEEL SELF CLOSING WITH COIL SPRING, ZINC PLATED
- 3 COUNTERFLASH MOUNTING BRACKETS: 3/16" ZINC PLATED STEEL FASTENED TO STEEL BACKING PLATE
- 4 BOLTS: HEX HEAD BOLTS 3/8"-16 x 3/4" GRADE 5 ZINC PLATED
- 5 RAILING FITTINGS AND PLUGS: MANUFACTURER'S STANDARD CAST WITH SET SCREW HOLD

FITS HATCH SIZES UP TO 36" X 36", FOR SMALLER HATCH SIZES CUT RAILS TO LENGTH IN FIELD

CERTIFICATIONS: MEETS OSHA 29 CFR 1910.23 GUARDING FOR OPENINGS REQUIREMENTS; SUPPORTS 200 LBS. FORCE

PATENT PENDING

SRCG36X36FG

		TITLE: Safety Railings for Roof Hatch 36X36, Front Exit, Steel, Galvanized, Self Closing Gate			
		NAME: DKL	DATE: 9/23/09	SIZE: B	DWG. NO.: SRCG36X36FG
DRAWN	RELEASED	-	-	WEIGHT: 464.46	SHEET 1 OF 2

8

7

6

5

4

3

2

1

8

7

6

5

4

3

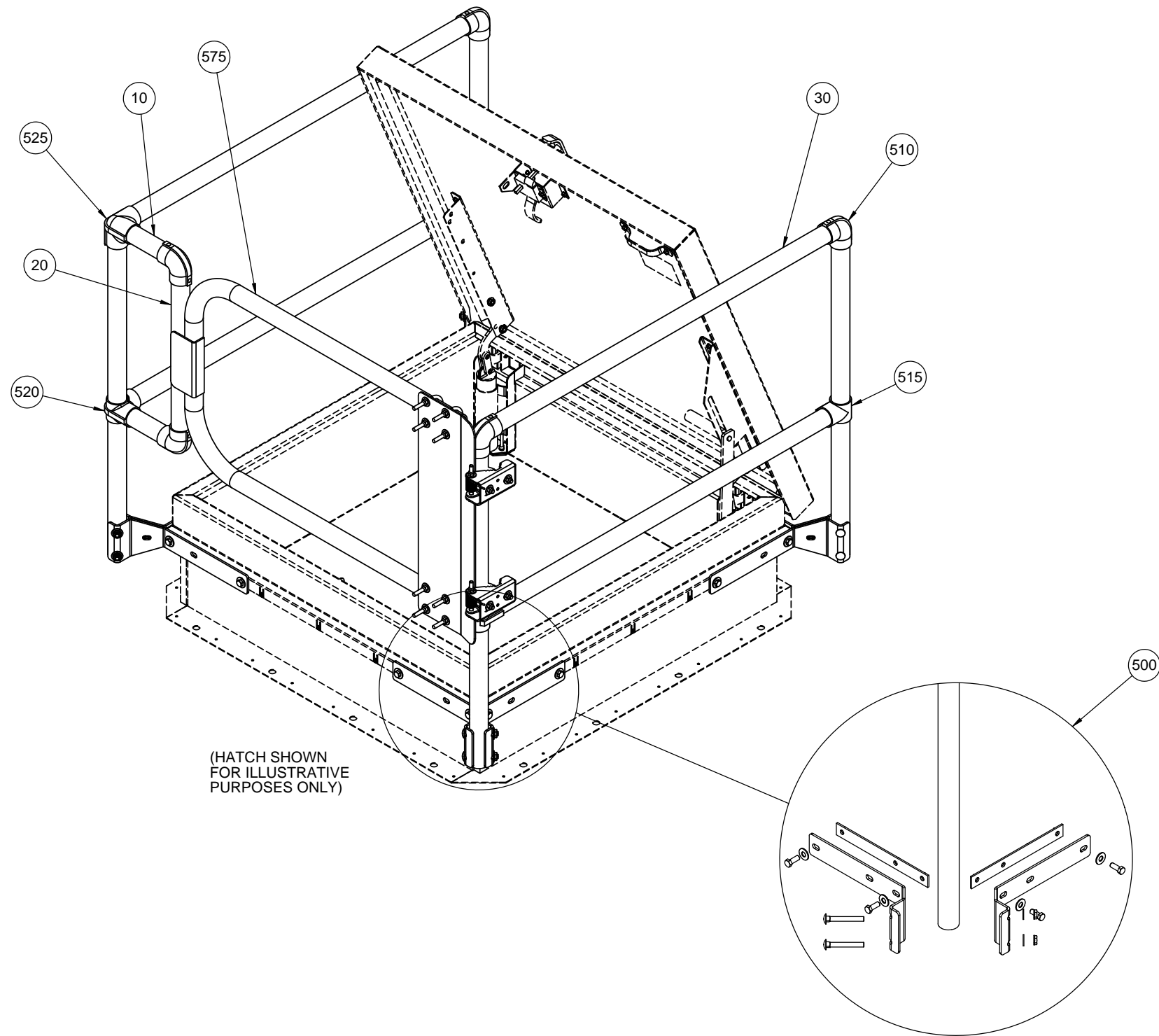
2

1

ITEM NO.	PART NUMBER	DESCRIPTION	QUANTITY
10	27258-6.00	RAIL, 1-1/4" X 6.00L,	2
20	27258-18.00	RAIL, 1-1/4" X 18.00L,	1
30	27258-43.75	RAIL, 1-1/4" X 43.75L,	4
500	27180	PKG, CORNER POST, ZPS,	4
510	27185	FTG, ELBOW,	5
515	27188	FTG, TEE,	3
520	27186	FTG, CROSS ELBOW,	1
525	27231	FTG, DBL TEE,	1
575	SRCG-GATE-30	GATE, 30,	1

D

D



C

C

B

B

A

A

SRCG36X36FG

			TITLE: Safety Railings for Roof Hatch 36X36, Front Exit, Steel, Galvanized, Self Closing Gate		
			SIZE: B	DWG. NO.: SRCG36X36FG	REV: A
DRAWN: DKL	DATE: 9/23/09	RELEASED: -	WEIGHT: 464.46		SHEET 2 OF 2

8

7

6

5

4

3

2

1