

8

7

6

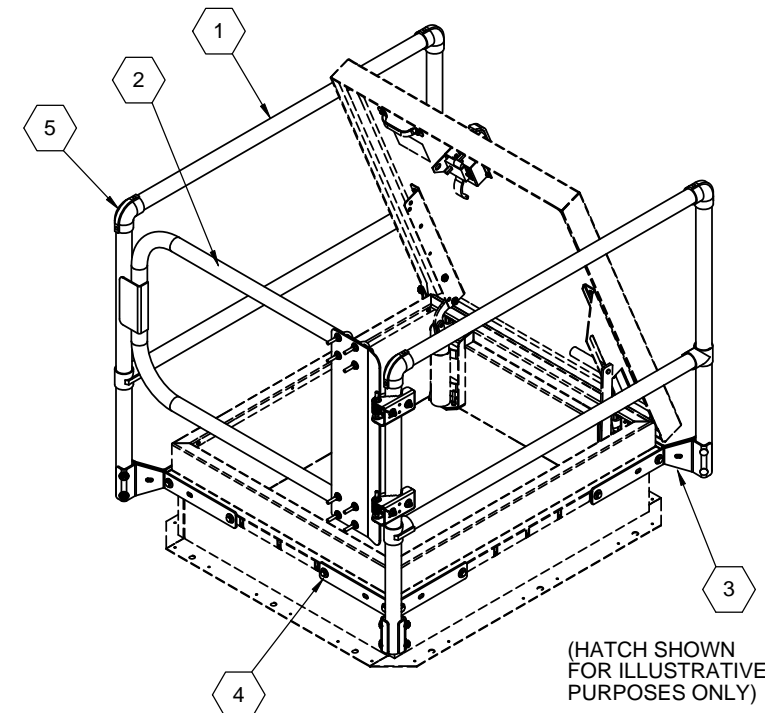
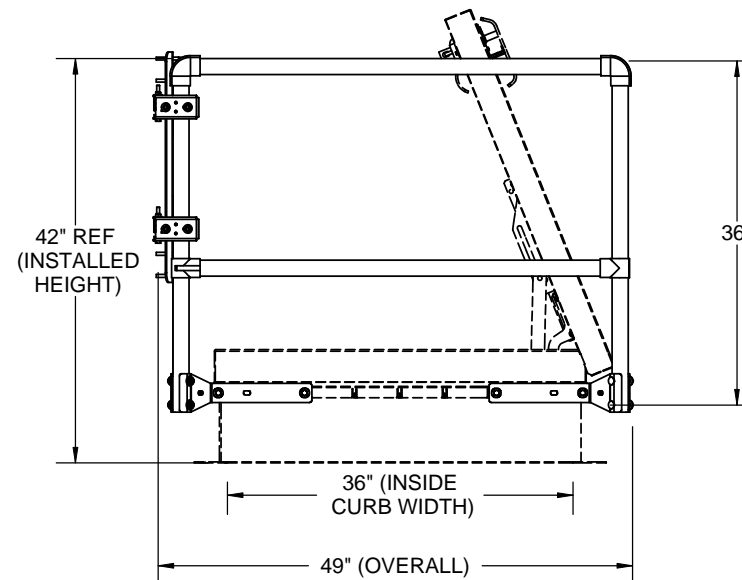
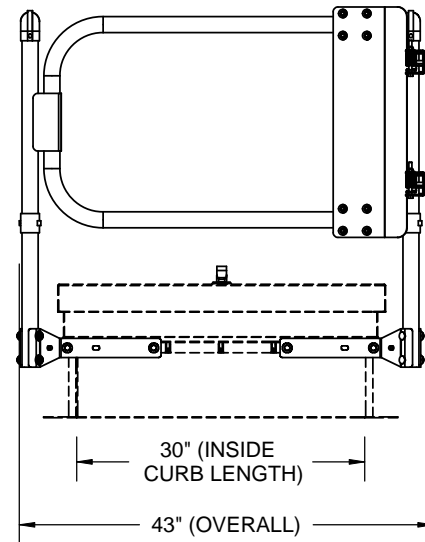
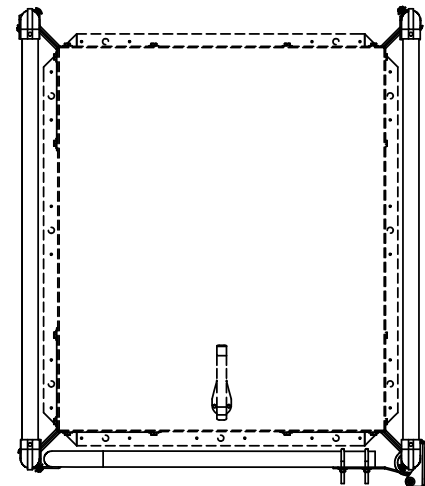
5

4

3

2

1



(HATCH SHOWN FOR ILLUSTRATIVE PURPOSES ONLY)

SPECIFICATIONS

- 1 RAILS, POSTS: GALVANIZED PIPE 1 1/4" I.D. SCH 40 A53 GRADE B SEAMED STEEL
- 2 GATE: GAVANIZED 1 1/4" TUBULAR STEEL SELF CLOSING WITH COIL SPRING, ZINC PLATED
- 3 COUNTERFLASH MOUNTING BRACKETS: 3/16" ZINC PLATED STEEL FASTENED TO STEEL BACKING PLATE
- 4 BOLTS: HEX HEAD BOLTS 3/8"-16 x 3/4" GRADE 5 ZINC PLATED
- 5 RAILING FITTINGS AND PLUGS: MANUFACTURER'S STANDARD CAST WITH SET SCREW HOLD

FITS HATCH SIZES UP TO 30" X 36", FOR SMALLER HATCH SIZES CUT RAILS TO LENGTH IN FIELD

CERTIFICATIONS: MEETS OSHA 29 CFR 1910.23 GUARDING FOR OPENINGS REQUIREMENTS; SUPPORTS 200 LBS. FORCE

PATENT PENDING

SRCG36X30FG

| | | | | | |
|-------|----------|---|---------------|----------------|-----------------------|
| | | TITLE: Safety Railings for Roof Hatch 36X30, Front Exit, Steel, Galvanized, Self Closing Gate | | | |
| | | NAME: DKL | DATE: 10/7/09 | SIZE: B | DWG. NO.: SRCG36X30FG |
| DRAWN | RELEASED | - | - | WEIGHT: 282.08 | SHEET 1 OF 2 |

8

7

6

5

4

3

2

1

8

7

6

5

4

3

2

1

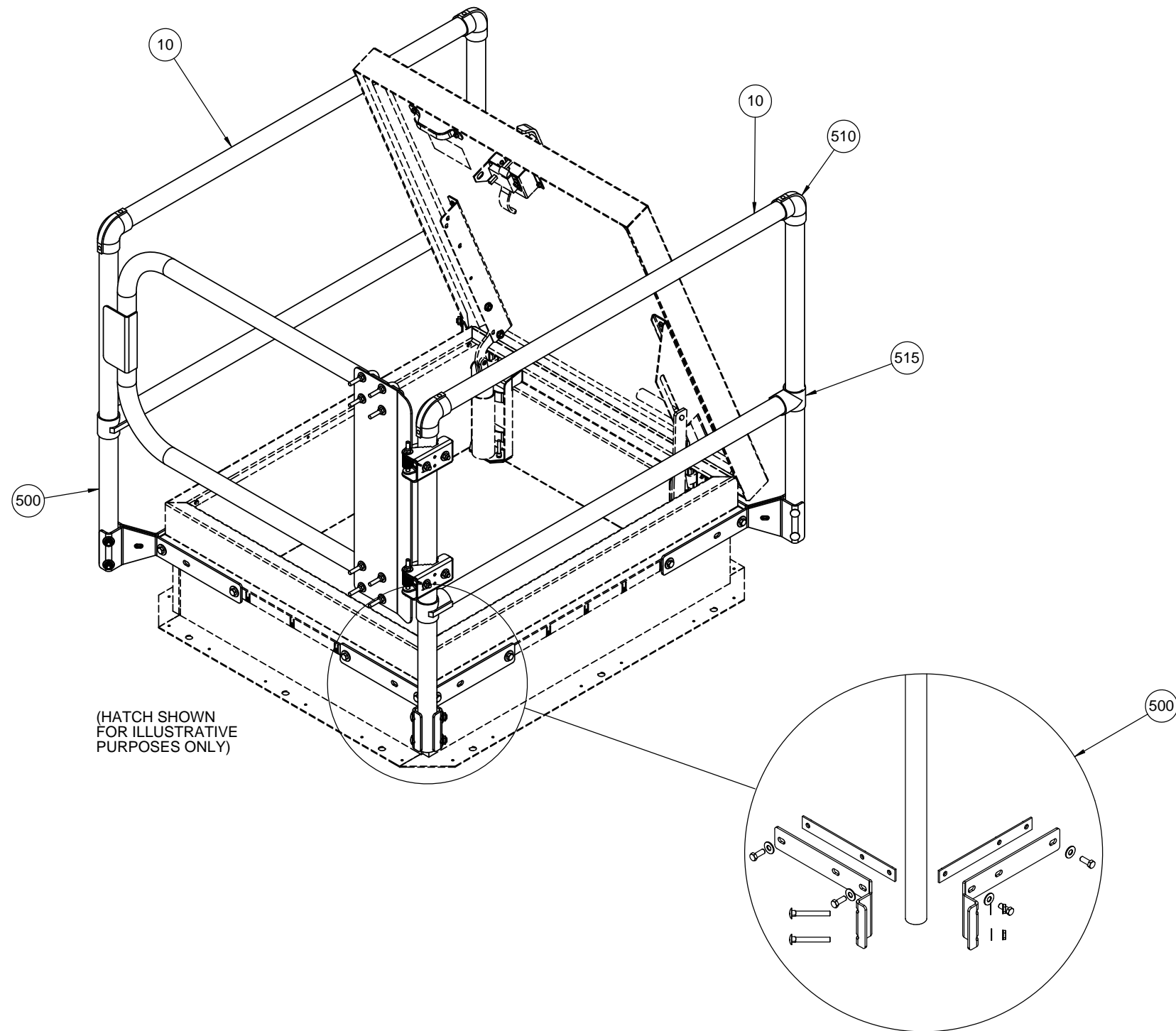
| ITEM NO. | PART NUMBER | DESCRIPTION | QUANTITY |
|----------|--------------|------------------------|----------|
| 10 | 27258-43.75 | RAIL, 1-1/4" X 43.75L, | 4 |
| 500 | 27180 | PKG, CORNER POST, ZPS, | 4 |
| 510 | 27185 | FTG, ELBOW, | 4 |
| 515 | 27188 | FTG, TEE, | 4 |
| 575 | SRCG-GATE-30 | GATE, 30, | 1 |

D

C

B

A



DETAIL A
SCALE 1 : 8

SRCG36X30FG

| | | | | | |
|----------|------|---------|---|--------------------|--------------|
| | | | TITLE: Safety Railings for Roof Hatch 36X30, Front Exit, Steel, Galvanized, Self Closing Gate | | |
| | NAME | DATE | SIZE | DWG. NO. | REV |
| DRAWN | DKL | 10/7/09 | B | SRCG36X30FG | A |
| RELEASED | - | - | WEIGHT: 282.08 | | SHEET 2 OF 2 |

PROPRIETARY AND CONFIDENTIAL. THE INFORMATION CONTAINED IN THIS DRAWING IS THE SOLE PROPERTY OF BABCOCK-DAVIS. ANY REPRODUCTION OR TRANSMISSION IN ANY FORM OR BY ANY MEANS WITHOUT THE WRITTEN PERMISSION OF BABCOCK-DAVIS IS PROHIBITED.

8

7

6

5

4

3

2

1