

8

7

6

5

4

3

2

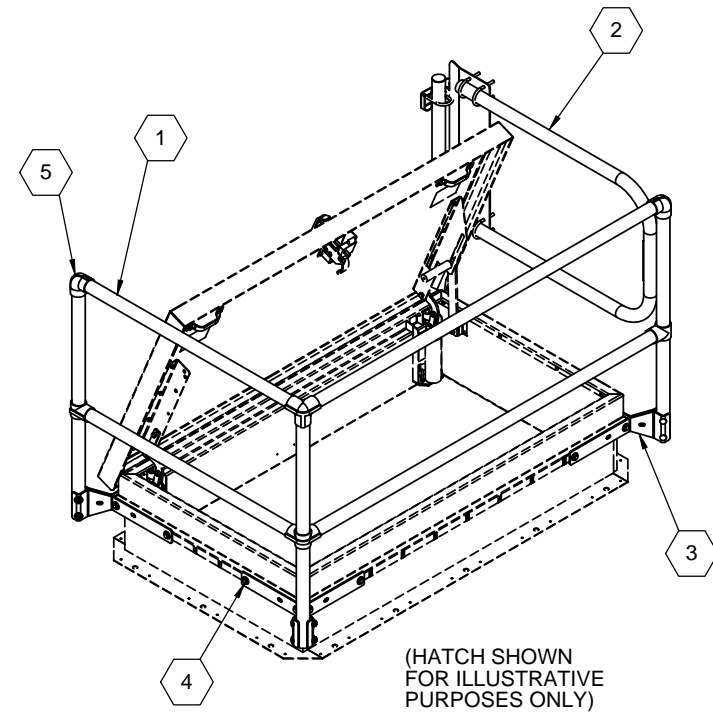
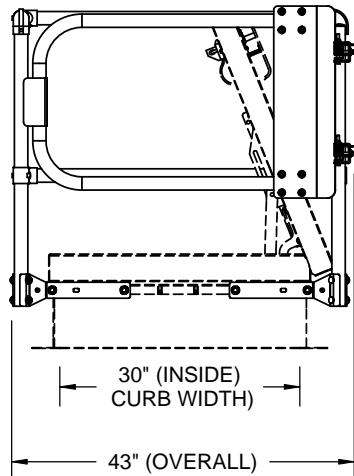
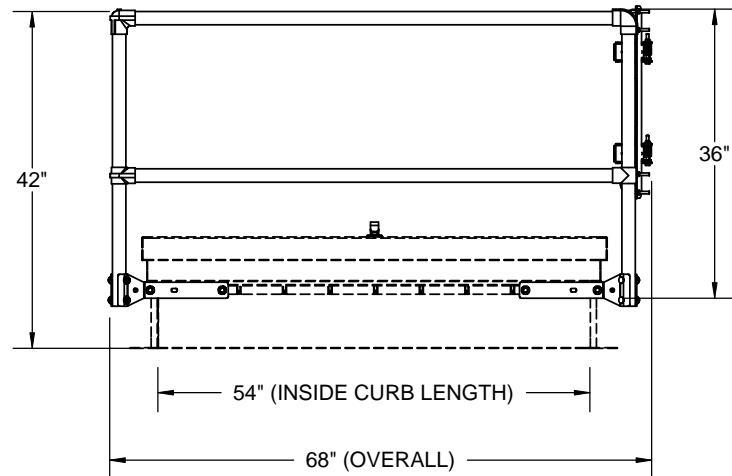
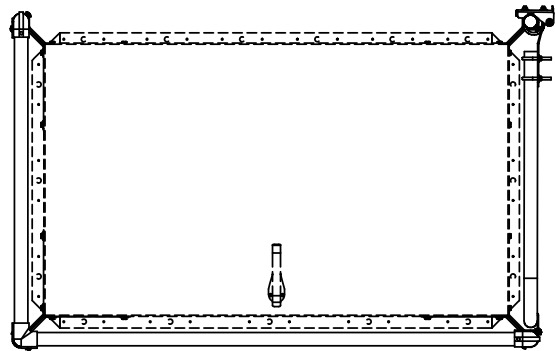
1

D

C

B

A



(HATCH SHOWN FOR ILLUSTRATIVE PURPOSES ONLY)

SPECIFICATIONS

- 1 RAILS, POSTS: GALVANIZED PIPE 1 1/4" I.D. SCH 40 A53 GRADE B SEAMED STEEL
- 2 GATE: GAVANIZED 1 1/4" SQR TUBE SELF CLOSING WITH COIL SPRING, ZINC PLATED
- 3 COUNTERFLASH MOUNTING BRACKETS: 3/16" ZINC PLATED STEEL FASTENED TO STEEL BACKING PLATE
- 4 BOLTS: HEX HEAD BOLTS 3/8"-16 x 3/4" GRADE 5 ZINC PLATED
- 5 RAILING FITTINGS AND PLUGS: MANUFACTURER'S STANDARD CAST WITH SET SCREW HOLD

FITS HATCH SIZES UP TO 30" X 96", FOR SMALLER HATCH SIZES CUT RAILS TO LENGTH IN FIELD

CERTIFICATIONS: MEETS OSHA 29 CFR 1910.23 GUARDING FOR OPENINGS REQUIREMENTS; SUPPORTS 200 LBS. FORCE

PATENT PENDING

SRCG30X54SG

		TITLE: Safety Railings for Roof Hatch 30x54, Side Exit, Sngl Door Steel, Galvanized, Self Closing Gate			
		NAME: DKL	DATE: 10/6/09	SIZE: B	DWG. NO.: SRCG30X54SG
DRAWN	RELEASED	-	-	WEIGHT: 534.83	SHEET 1 OF 2

8

7

6

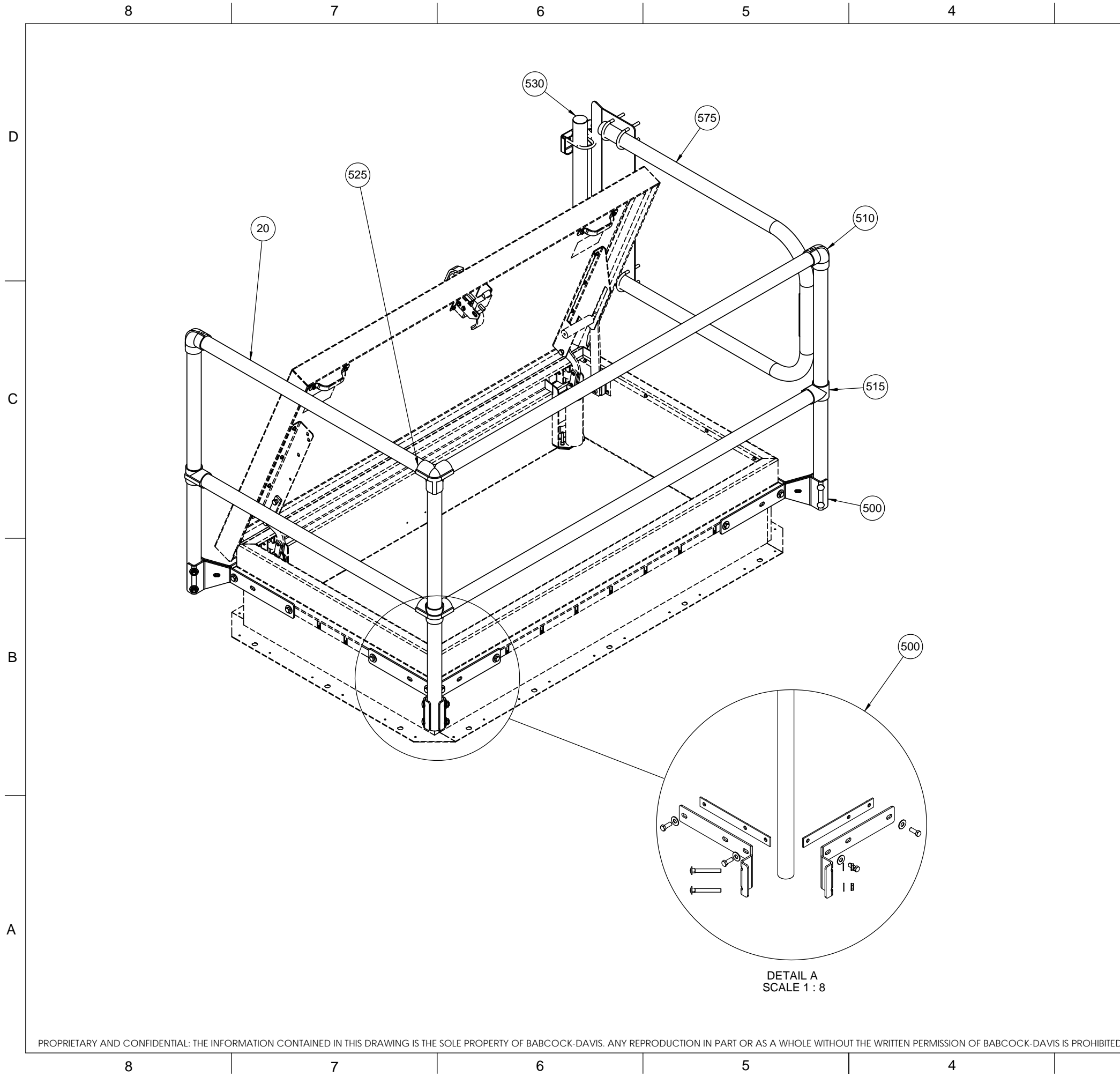
5

4

3

2

1



ITEM NO.	PART NUMBER	DESCRIPTION	QUANTITY
10	27258-61.50	RAIL, 1-1/4" X 61.50L,	2
20	27258-37.75	RAIL, 1-1/4" X 37.75L,	2
500	27180	PKG, CORNER POST, ZPS,	4
510	27185	FTG, ELBOW,	2
515	27188	FTG, TEE,	2
520	27186	FTG, CROSS ELBOW,	1
525	27231	FTG, DBL TEE,	1
530	27189	FTG, END CAP	1
575	SRCG-GATE-30	GATE, 30,	1

SRCG30X54SG

<p>Babcock-Davis Always right there. 9300 73rd Avenue North Brooklyn Park, MN 55428</p>		TITLE: Safety Railings for Roof Hatch 30x54, Side Exit, Sngl Door Steel, Galvanized, Self Closing Gate			
	NAME	DATE	SIZE	DWG. NO.	REV
DRAWN	DKL	10/6/09	B	SRCG30X54SG	A
RELEASED	-	-	WEIGHT: 534.83		SHEET 2 OF 2

PROPRIETARY AND CONFIDENTIAL: THE INFORMATION CONTAINED IN THIS DRAWING IS THE SOLE PROPERTY OF BABCOCK-DAVIS. ANY REPRODUCTION IN PART OR AS A WHOLE WITHOUT THE WRITTEN PERMISSION OF BABCOCK-DAVIS IS PROHIBITED.